



US00D449108B1

(12) **United States Design Patent**  
**Najmi**

(10) **Patent No.:** **US D449,108 S**

(45) **Date of Patent:** **\*\* Oct. 9, 2001**

(54) **PERCUSSION HAMMER**

1,267,554 \* 5/1918 Karatsu ..... 600/553  
5,657,763 \* 8/1997 Schneider ..... 128/740

(75) Inventor: **Boman K. Najmi**, Crofton, MD (US)

\* cited by examiner

(73) Assignee: **BHS International, Inc.**, Crofton, MD (US)

*Primary Examiner*—Stella Reid

(74) *Attorney, Agent, or Firm*—Rabin & Berdo, P.C.

(\*\*) Term: **14 Years**

(57) **CLAIM**

(21) Appl. No.: **29/135,712**

The ornamental design for a percussion hammer, as shown and described.

(22) Filed: **Jan. 18, 2001**

**DESCRIPTION**

(51) **LOC (7) Cl.** ..... **24-02**

(52) **U.S. Cl.** ..... **D24/142**

(58) **Field of Search** ..... D24/142; 600/553, 600/552

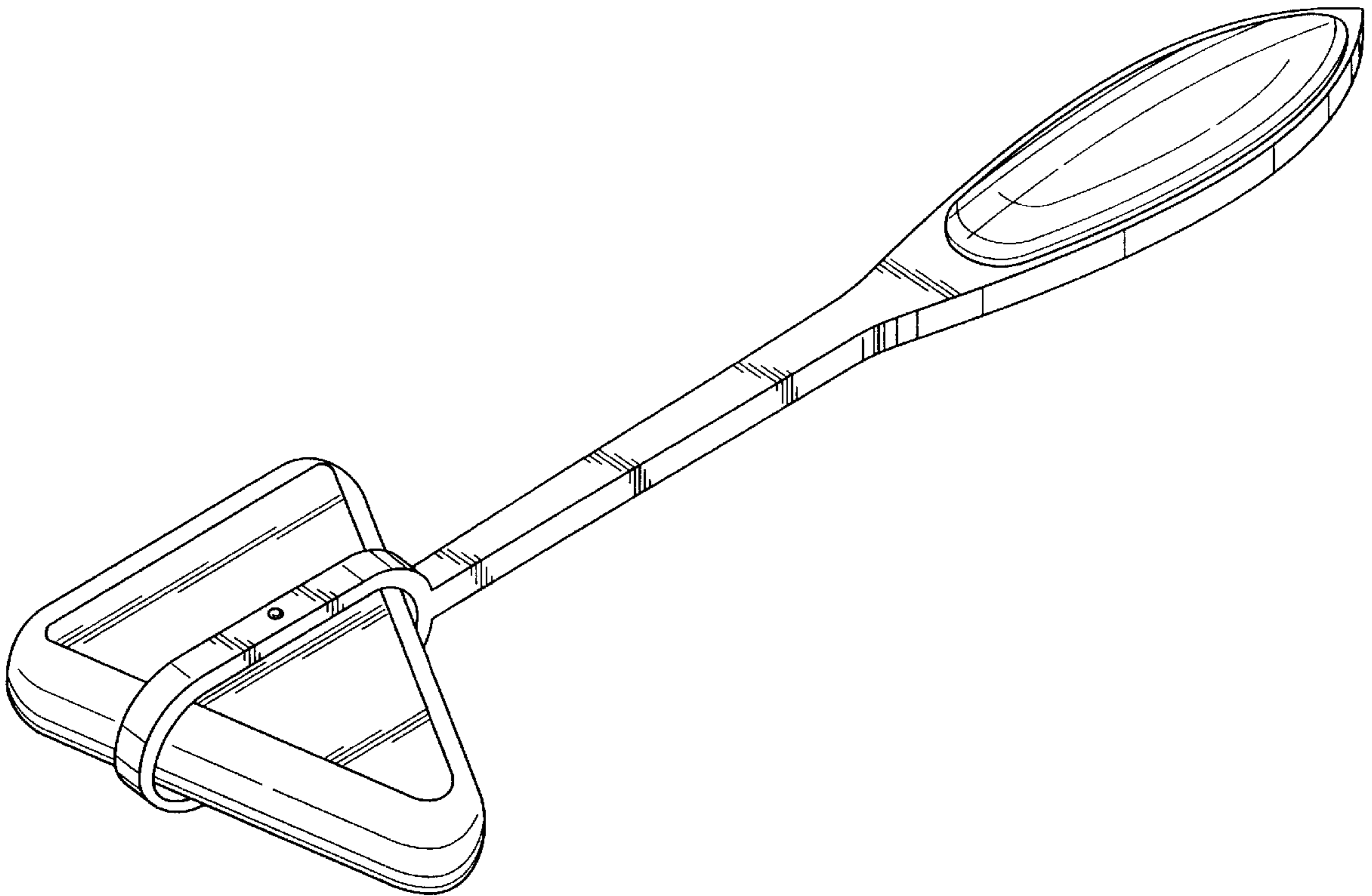
FIG. 1 is a front perspective view of a percussion hammer showing my new design;  
FIG. 2 is a front view thereof;  
FIG. 3 is a left side view thereof;  
FIG. 4 is a top view thereof;  
FIG. 5 is a rear view thereof;  
FIG. 6 is a right side view thereof; and,  
FIG. 7 is a bottom view thereof.

(56) **References Cited**

**U.S. PATENT DOCUMENTS**

- D. 283,344 \* 4/1986 Leopoldi ..... D24/142
- D. 284,507 \* 7/1986 Leopoldi ..... D24/142
- D. 427,679 \* 7/2000 Coe ..... D24/142

**1 Claim, 3 Drawing Sheets**



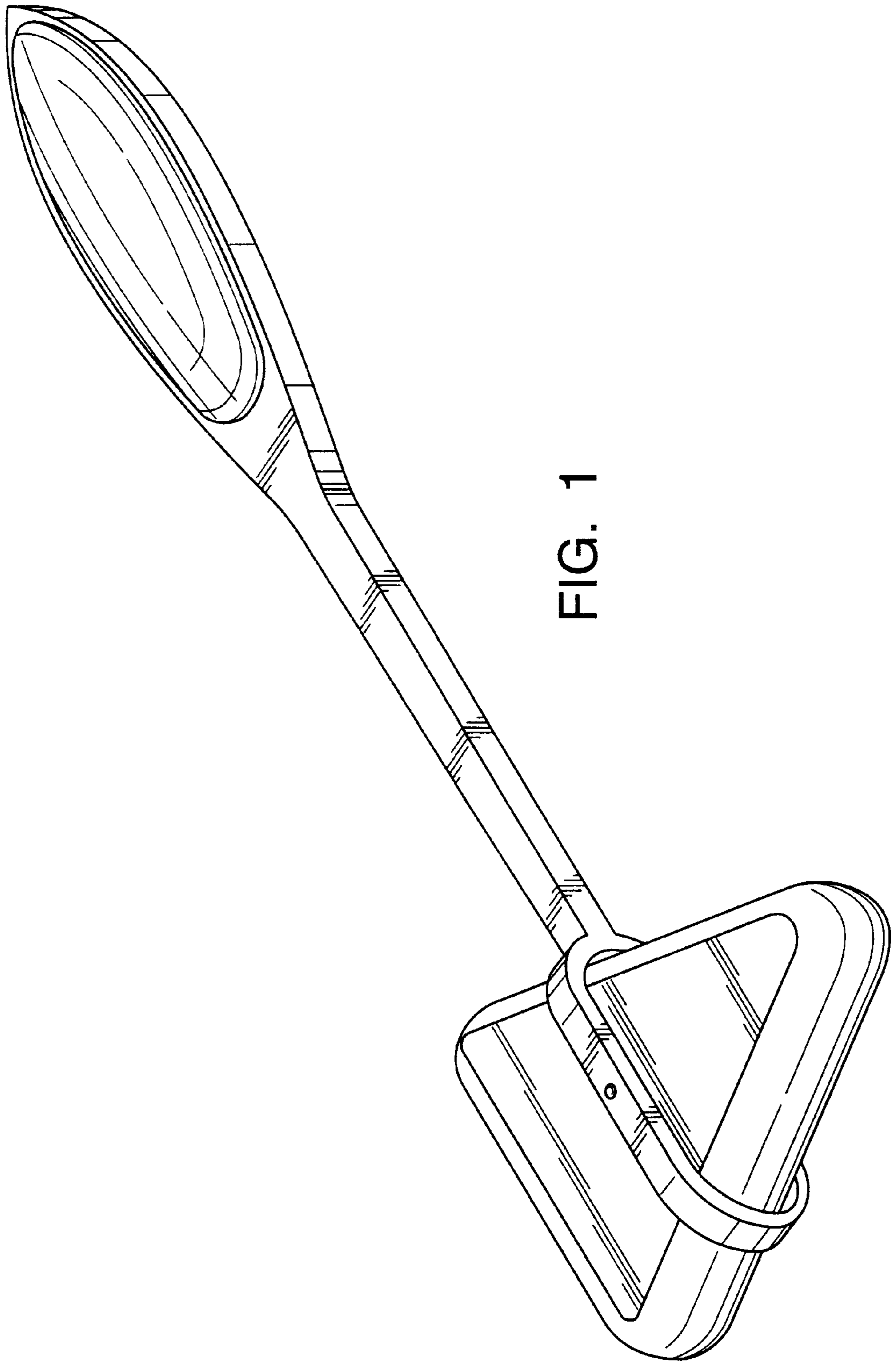


FIG. 1

FIG. 4

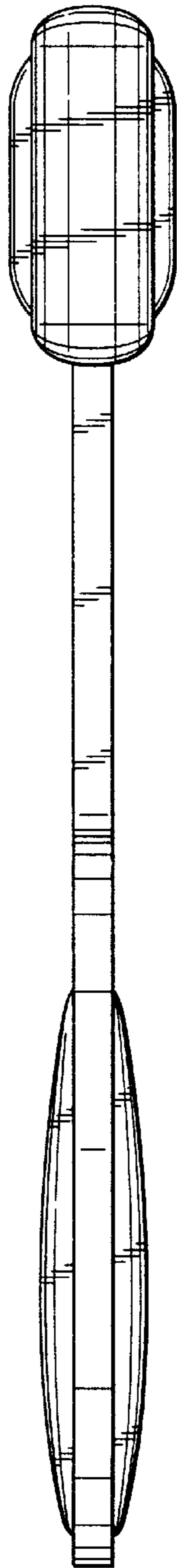
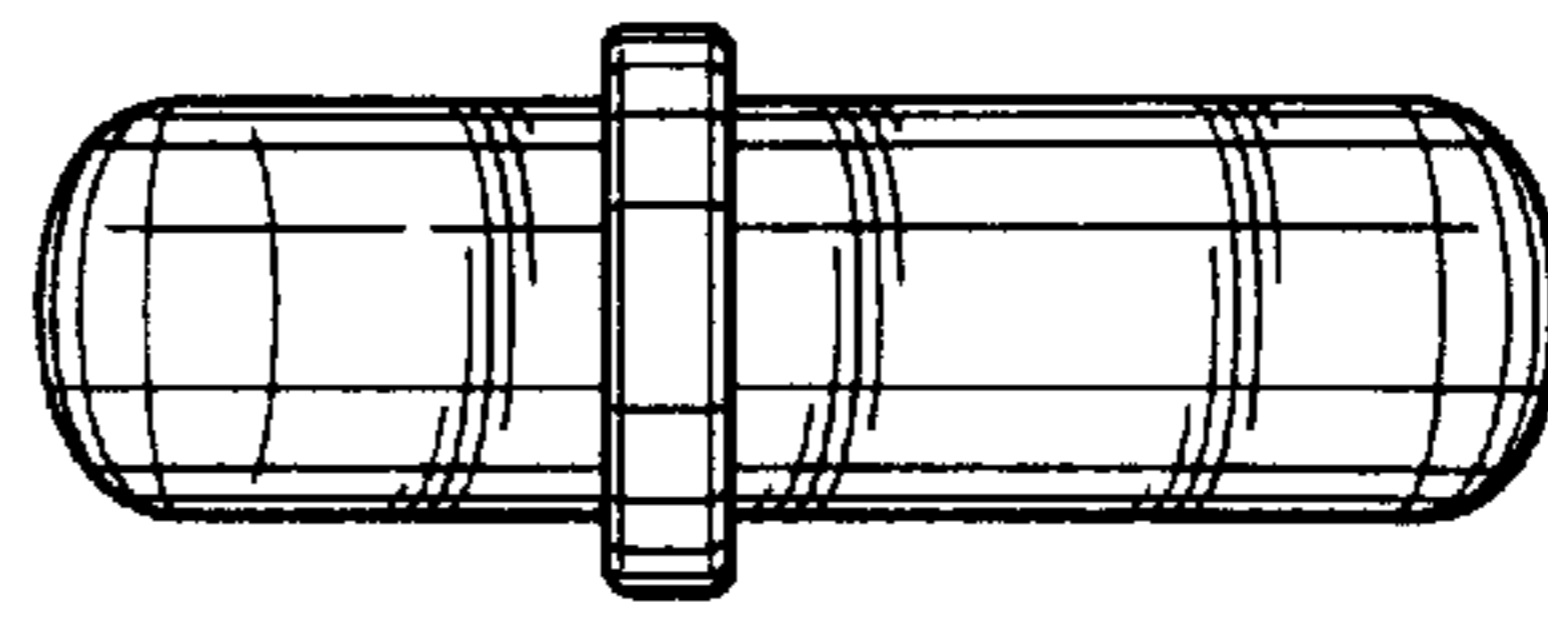


FIG. 3

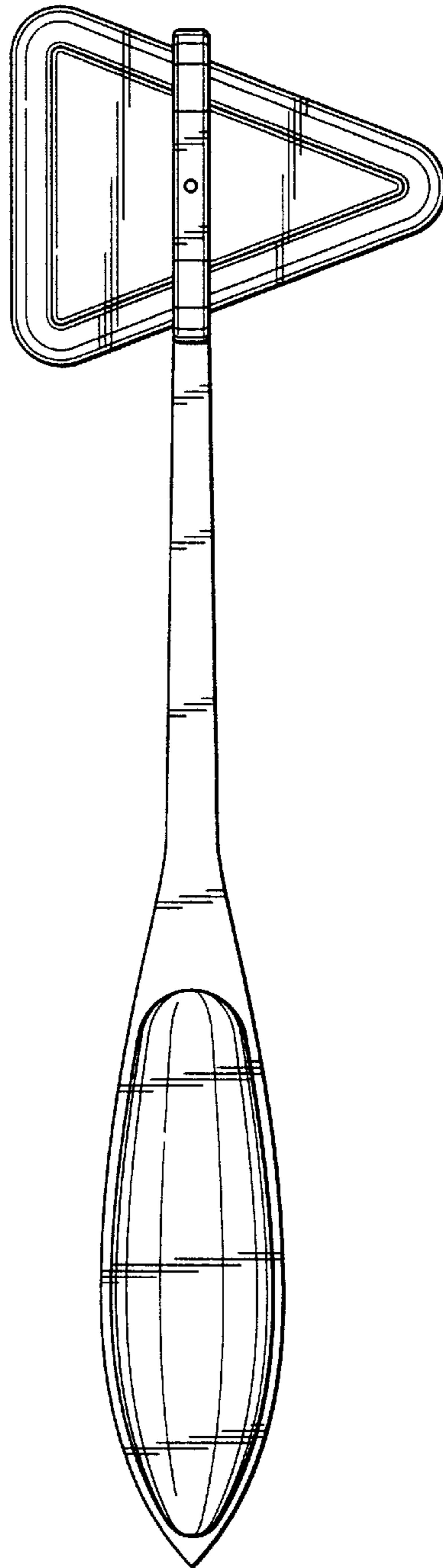


FIG. 2

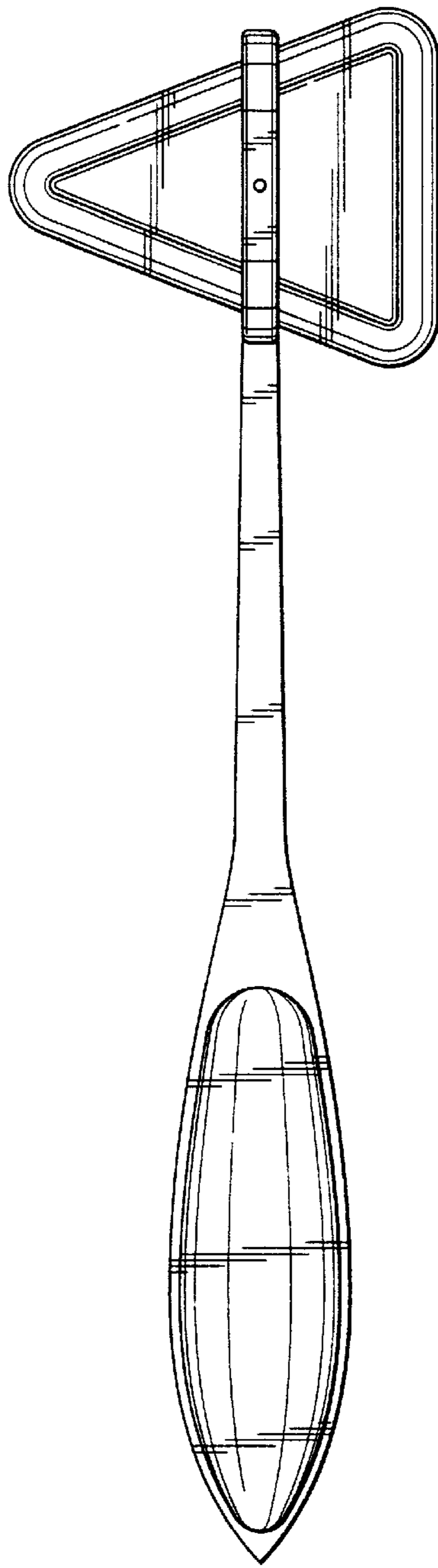


FIG. 5

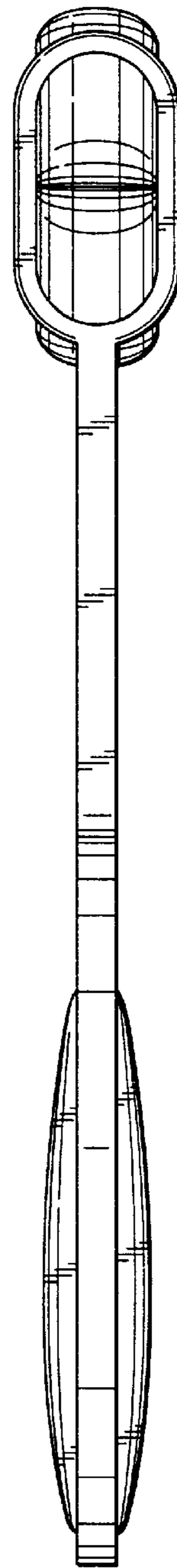


FIG. 6

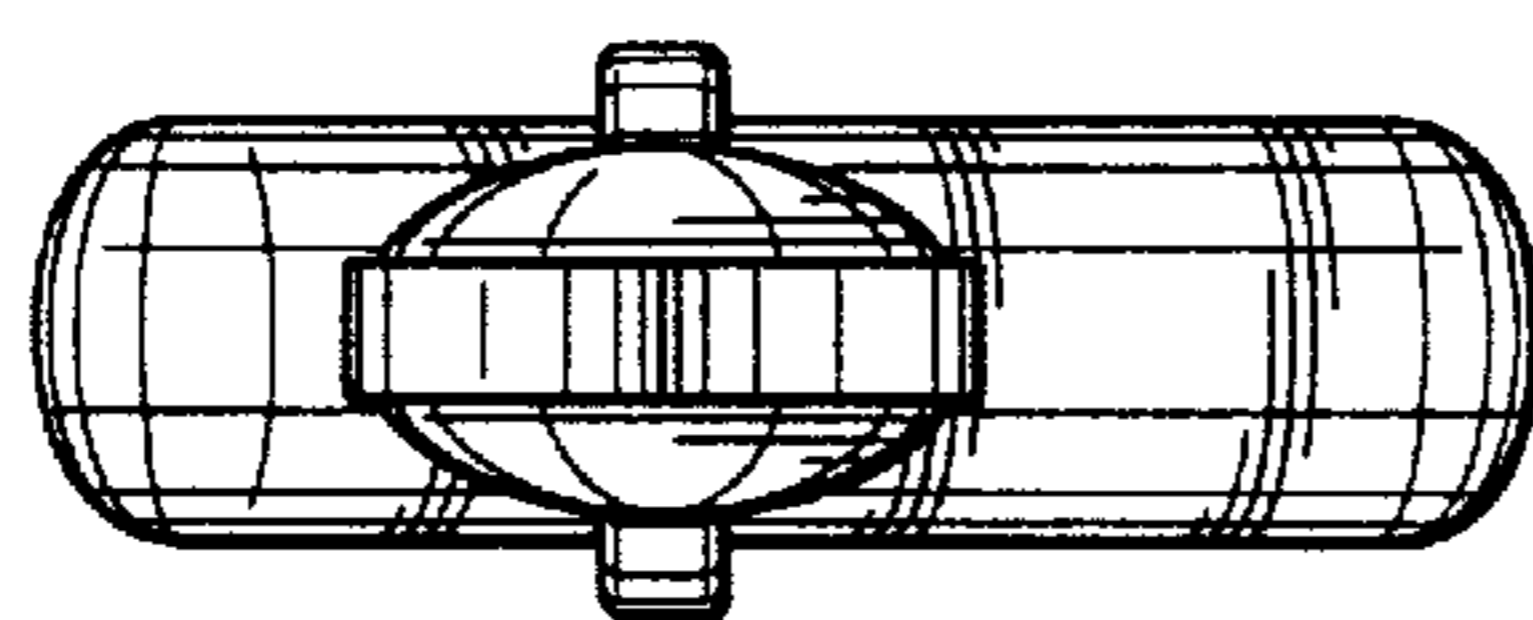


FIG. 7