



US00D449107B1

(12) **United States Design Patent**
Madsen et al.

(10) **Patent No.:** **US D449,107 S**
(45) **Date of Patent:** **** Oct. 9, 2001**

(54) **MULTI-PORT ADAPTER FOR A
RESPIRATORY CARE SYSTEM**

(75) Inventors: **Edward B. Madsen**, Riverton; **David
M. Cise**, Herriman, both of UT (US)

(73) Assignee: **Kimberly-Clark Worldwide, Inc.**,
Neenah, WI (US)

(**) Term: **14 Years**

(21) Appl. No.: **29/130,603**

(22) Filed: **Oct. 5, 2000**

(51) **LOC (7) Cl.** **24-02**

(52) **U.S. Cl.** **D24/129**

(58) **Field of Search** D24/112, 129,
D24/110.6, 164; D23/262, 263, 264; 128/207.16,
207.14, 207.15, 200.2, 205.9, 912, 205.24

(56) **References Cited**

U.S. PATENT DOCUMENTS

D. 398,060	*	9/1998	Brown	D24/164
5,546,930	*	8/1996	Wikefeldt	128/207.14
5,735,271		4/1998	Lorenzen et al.	.	
6,003,511	*	12/1999	Fukunaga et al.	128/202.27

OTHER PUBLICATIONS

U.S. Design Application No. 29/130,602 filed Oct. 5, 2000.
U.S. Design Application No. 29/130/604 filed Oct. 5, 2000.
U.S. Design Application No. 29/130/601 filed Oct. 5, 2000.

* cited by examiner

Primary Examiner—Ian Simmons

(74) *Attorney, Agent, or Firm*—Dority & Manning, P.A.

(57) **CLAIM**

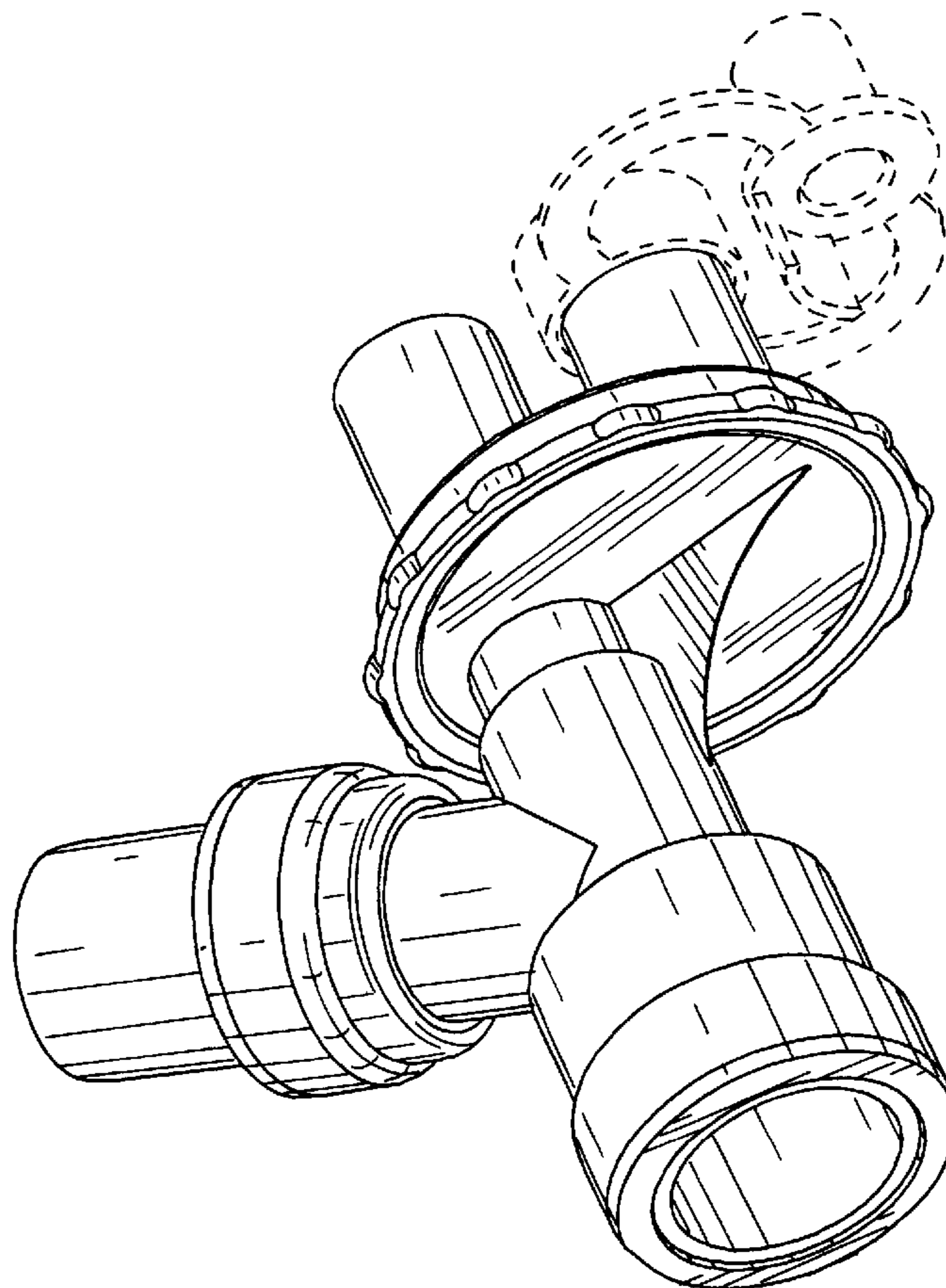
The ornamental design for a multi-port adapter for a respi-
ratory care system, as shown and

DESCRIPTION

FIG. 1 is a perspective view of a multi-port adapter for a
respiratory care system showing our new design;
FIG. 2 is a left side elevational view thereof;
FIG. 3 is a top plan view thereof,
FIG. 4 is a right side elevational view thereof; and,
FIG. 5 is a bottom plan view thereof.

The broken line showing in FIGS. 1 through 5 are for
illustrative purposes only and forms no part of the claimed
design.

1 Claim, 3 Drawing Sheets



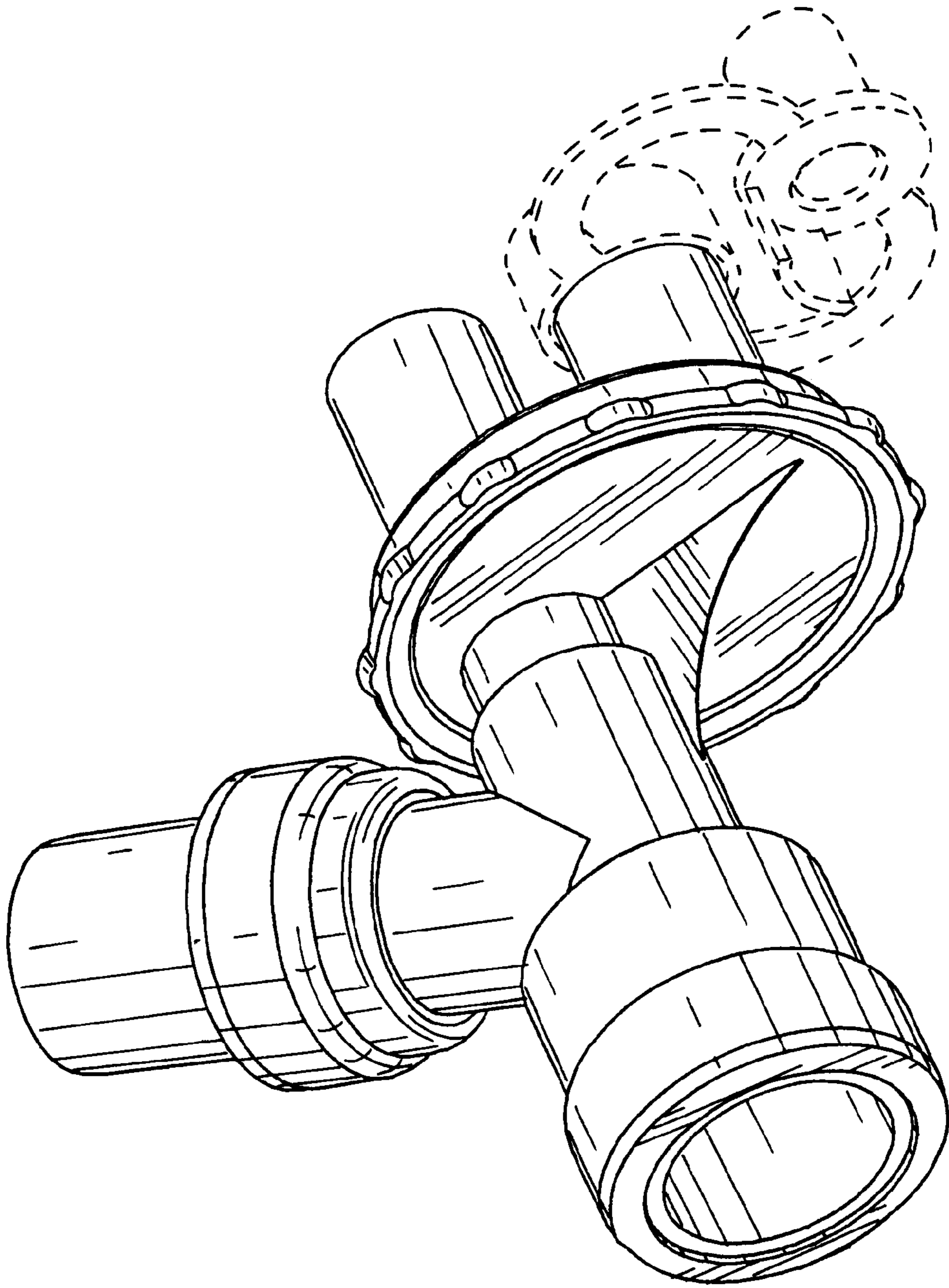


FIG. 1

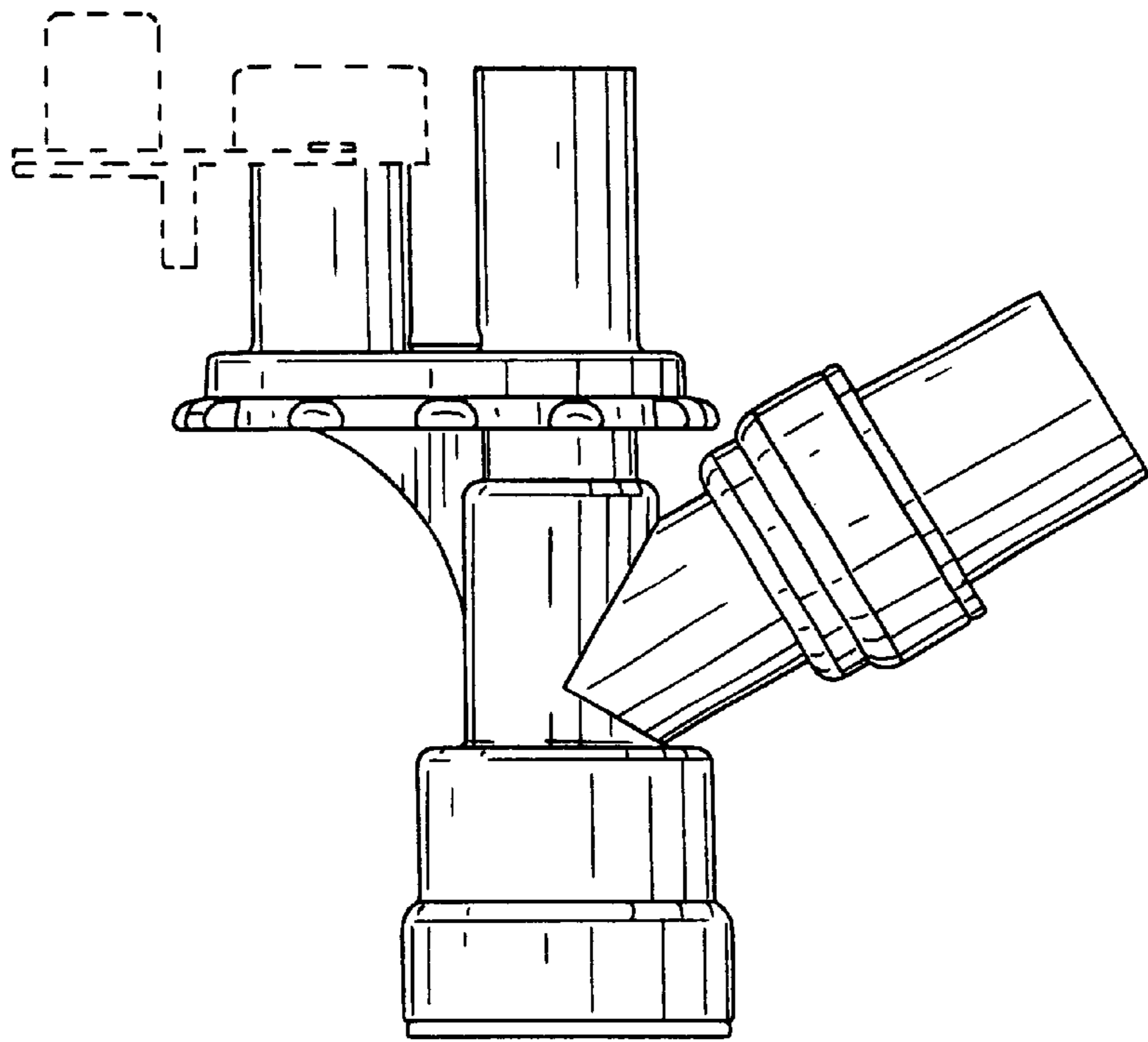


FIG. 2

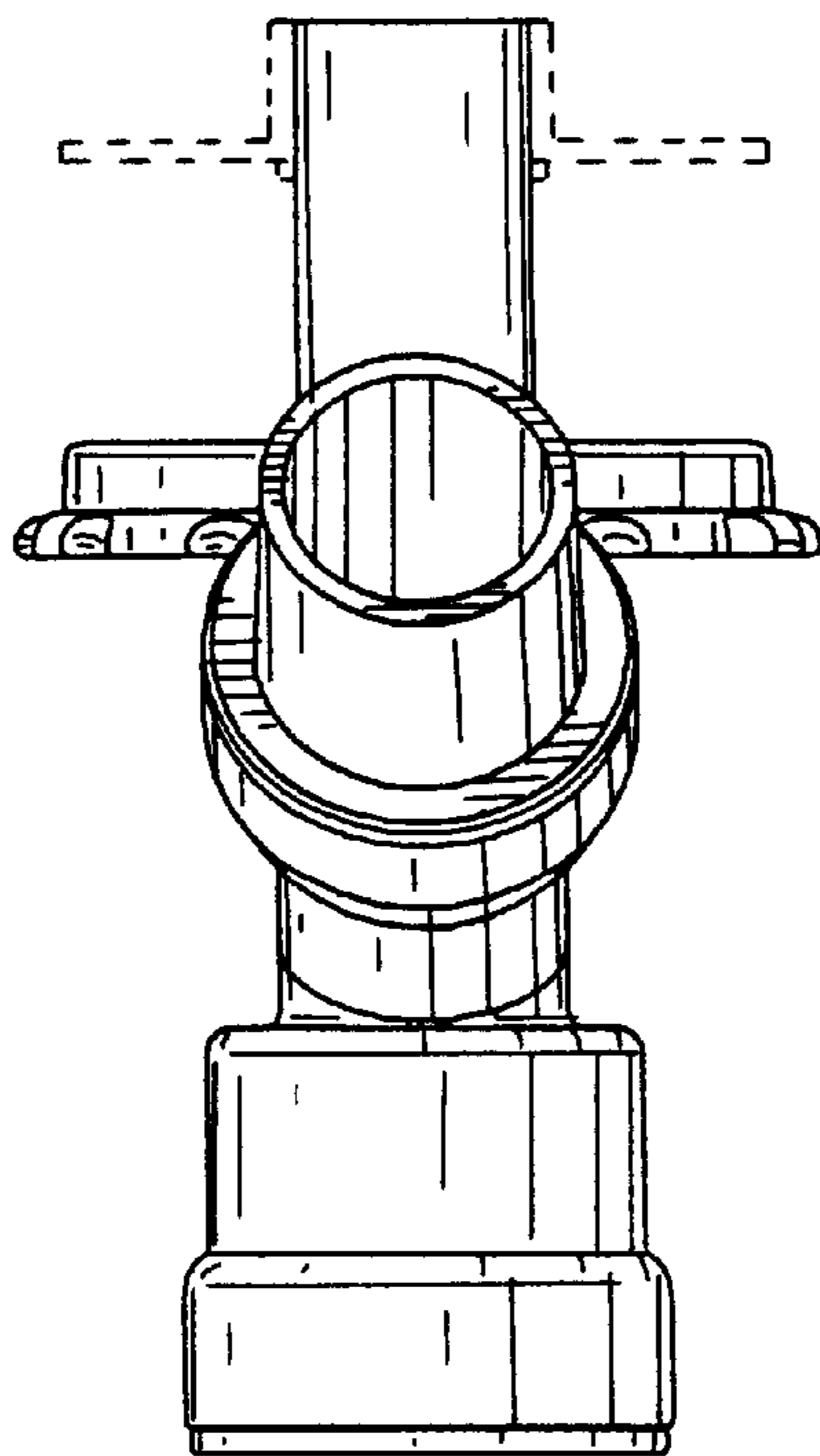


FIG. 3

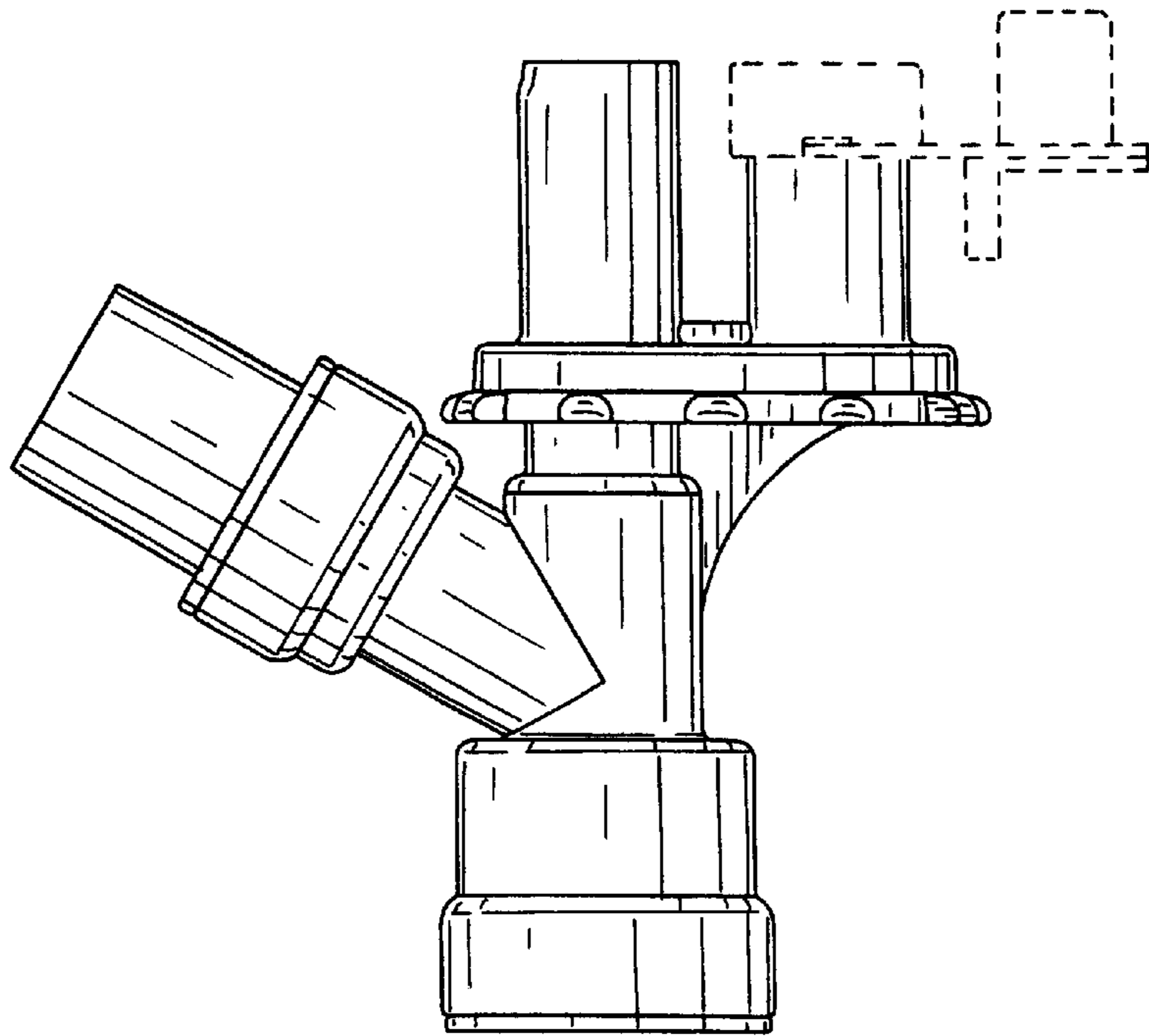


FIG. 4

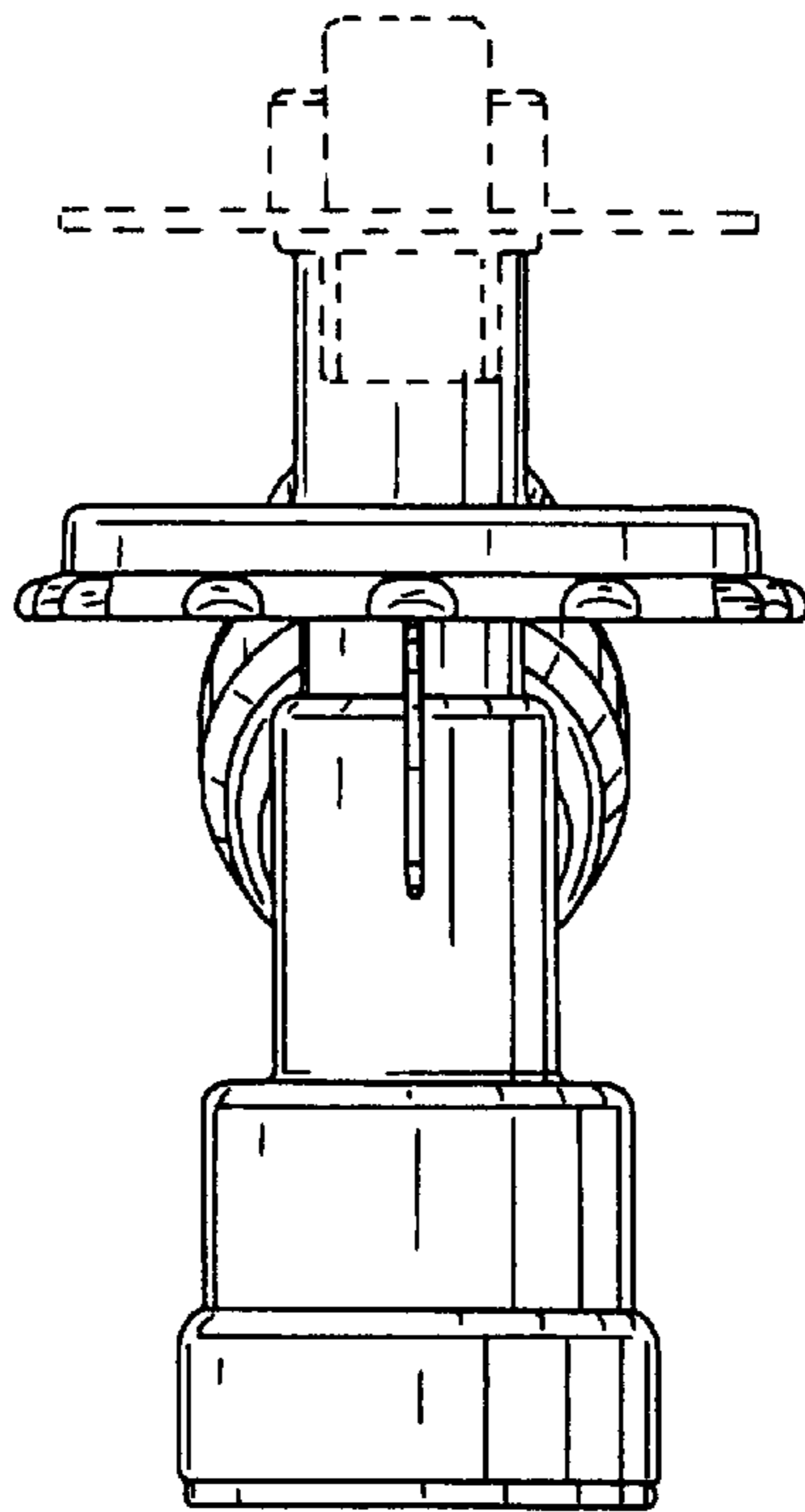


FIG. 5