



US00D449106B1

(12) **United States Design Patent**  
**Madsen et al.**

(10) **Patent No.:** **US D449,106 S**

(45) **Date of Patent:** **\*\* Oct. 9, 2001**

(54) **MULTI-PORT ADAPTER FOR A  
RESPIRATORY CARE SYSTEM**

(75) Inventors: **Edward B. Madsen**, Riverton; **David  
M. Cise**, Herriman, both of UT (US)

(73) Assignee: **Kimberly-Clark Worldwide, Inc.**,  
Neenah, WI (US)

(\*\*) Term: **14 Years**

(21) Appl. No.: **29/130,601**

(22) Filed: **Oct. 5, 2000**

(51) **LOC (7) Cl.** ..... **24-02**

(52) **U.S. Cl.** ..... **D24/129**

(58) **Field of Search** ..... D24/112, 129,  
D24/110.6, 164; D23/262, 263, 264; 128/207.16,  
207.14, 207.15, 200.26, 205.29, 912, 205.24

(56) **References Cited**

**U.S. PATENT DOCUMENTS**

- D. 398,060 \* 9/1998 Brown ..... D24/164
- 5,546,930 \* 8/1996 Wikefeldt ..... 128/207.14
- 5,735,271 4/1998 Lorenzen et al. .
- 6,003,511 \* 12/1999 Fukunaga et al. .... 128/202.27

**OTHER PUBLICATIONS**

- U.S. Design application No. 29/130,602, filed Oct. 5, 2000.
- U.S. Design application No. 29/130,604, filed Oct. 5, 2000.
- U.S. Design application No. 29/130,603, filed Oct. 5, 2000.

\* cited by examiner

*Primary Examiner*—Ian Simmons

(74) *Attorney, Agent, or Firm*—Dority & Manning, P.A.

(57) **CLAIM**

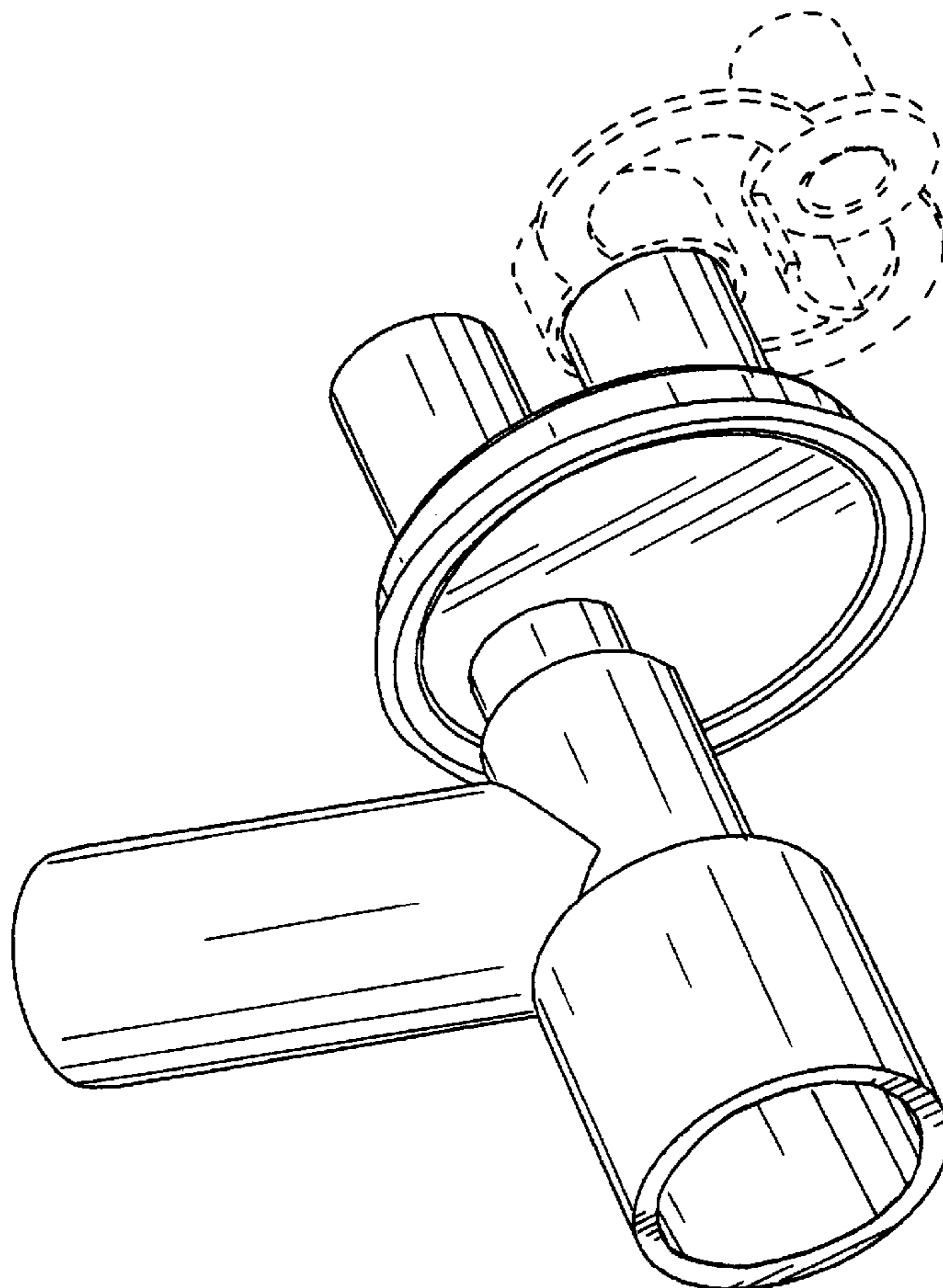
The ornamental design for a multi-port adapter for a respi-  
ratory care system, as shown and described herein.

**DESCRIPTION**

FIG. 1 is a perspective view of a multi-port adapter for a  
respiratory care system showing our new design;  
FIG. 2 is a left side elevational view thereof;  
FIG. 3 is a top plan view thereof;  
FIG. 4 is a right side elevational view thereof; and,  
FIG. 5 is a bottom plan view thereof.

The broken line showing in FIGS. 1 through 5 are for  
illustrative purposes only and forms no part of the claimed  
design.

**1 Claim, 3 Drawing Sheets**



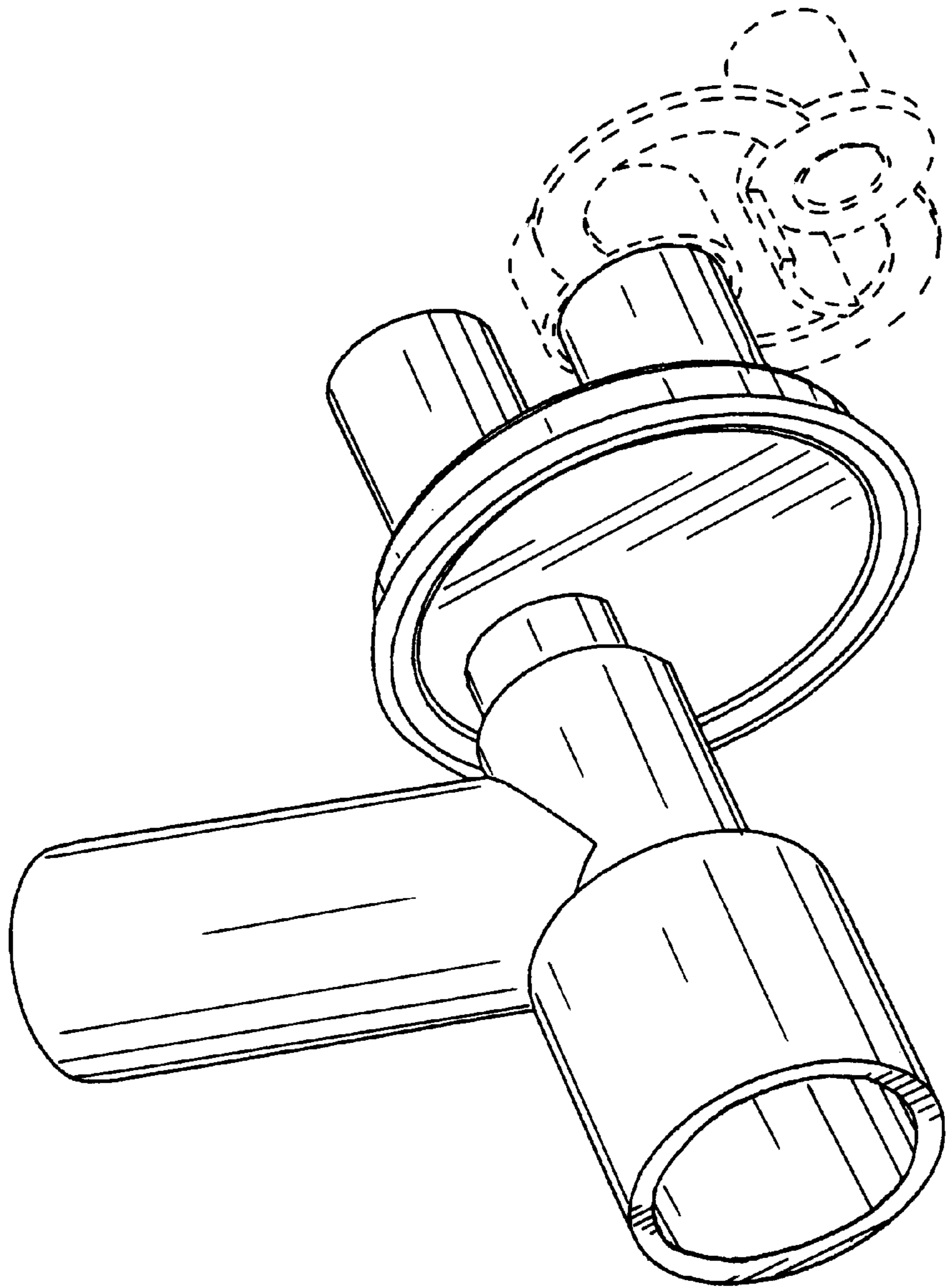


FIG. 1

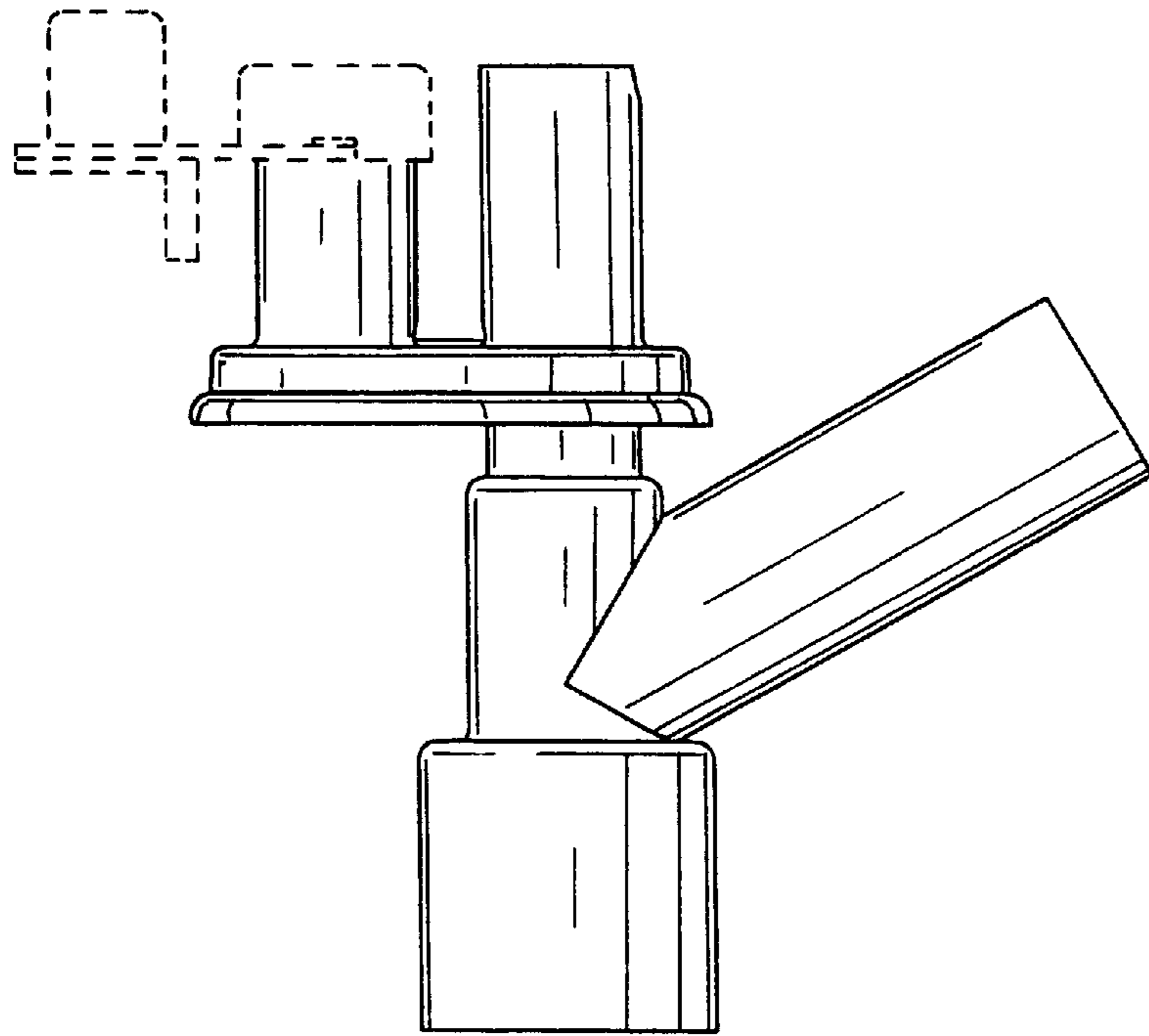


FIG. 2

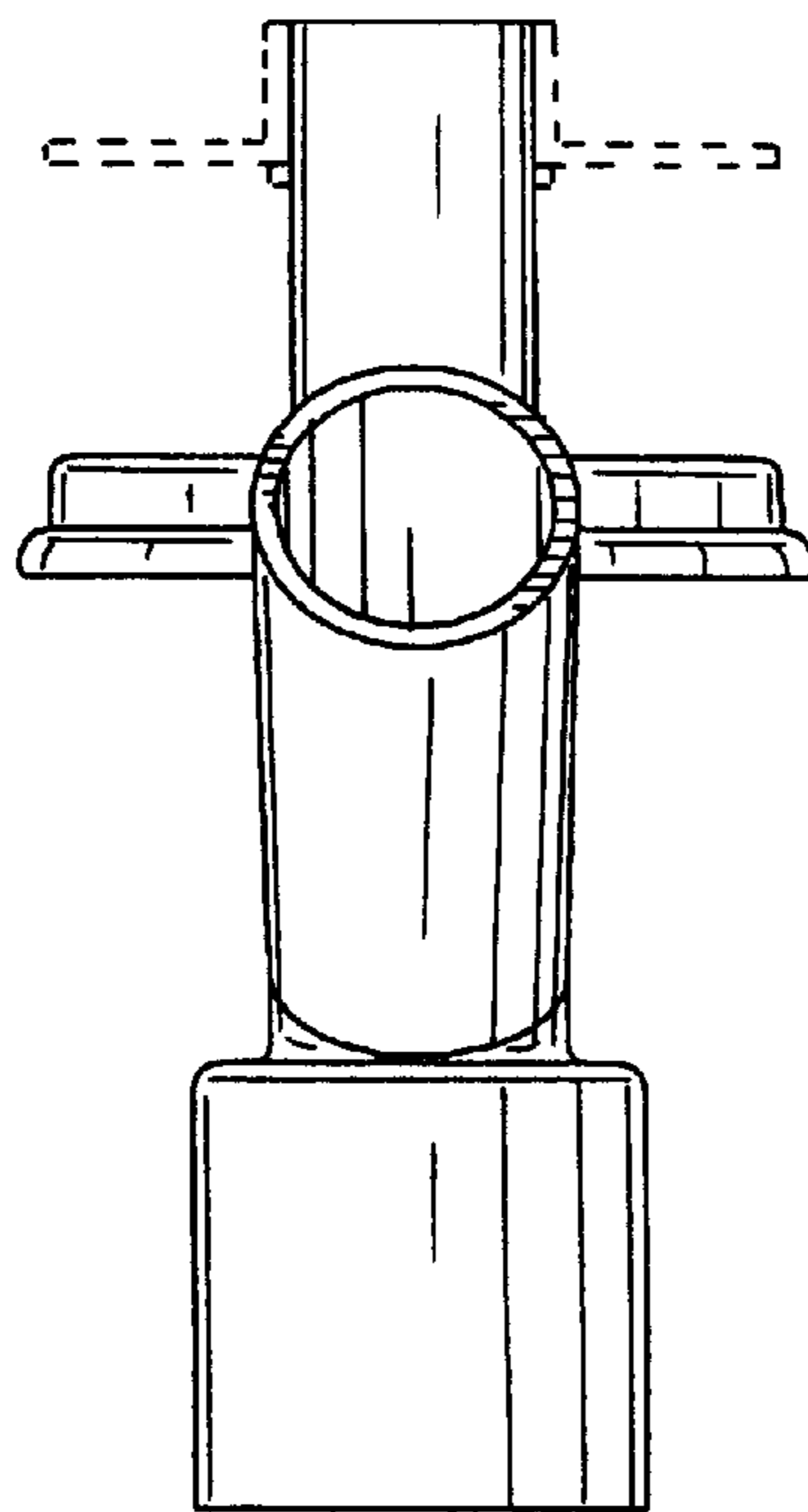


FIG. 3

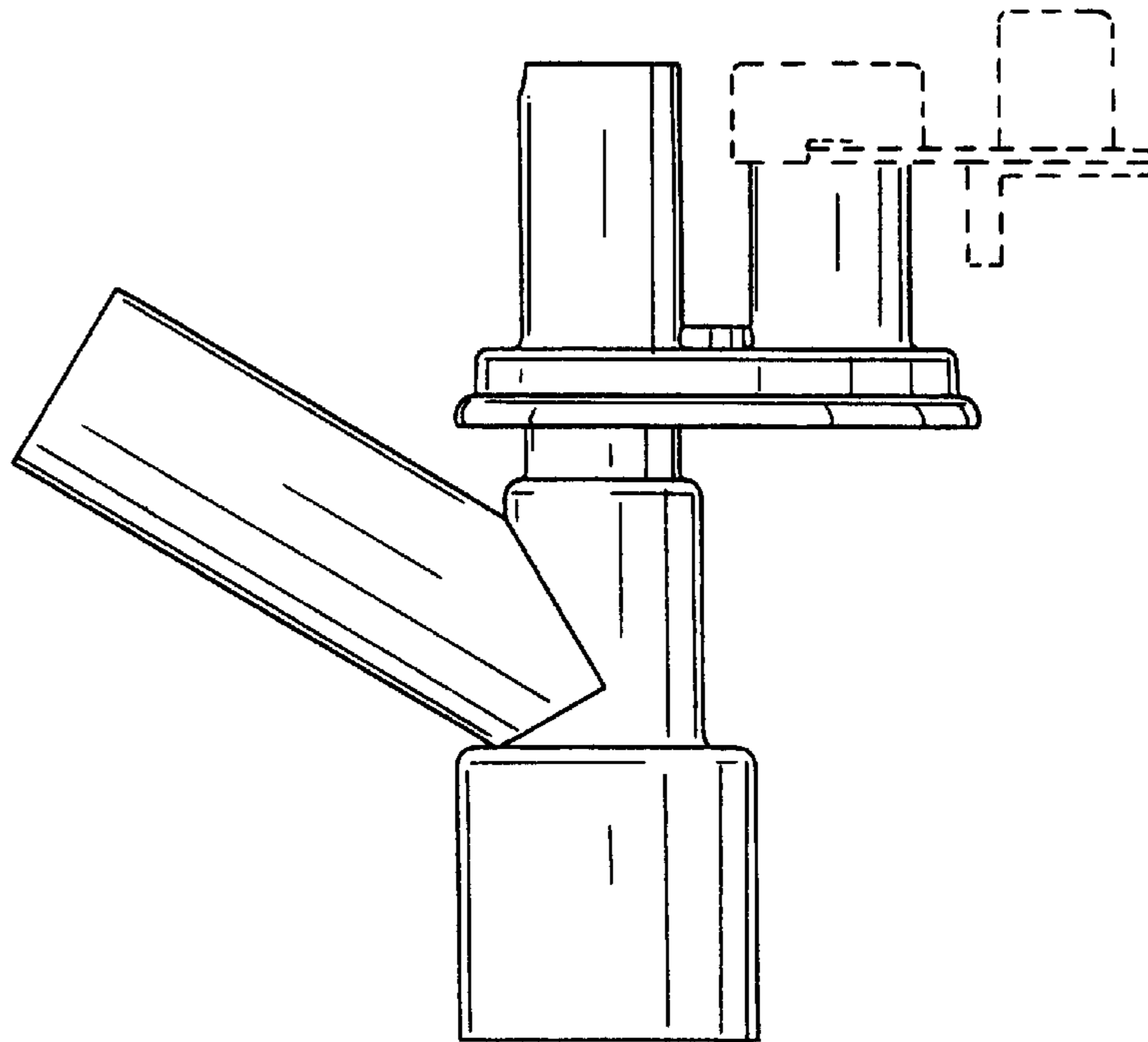


FIG. 4

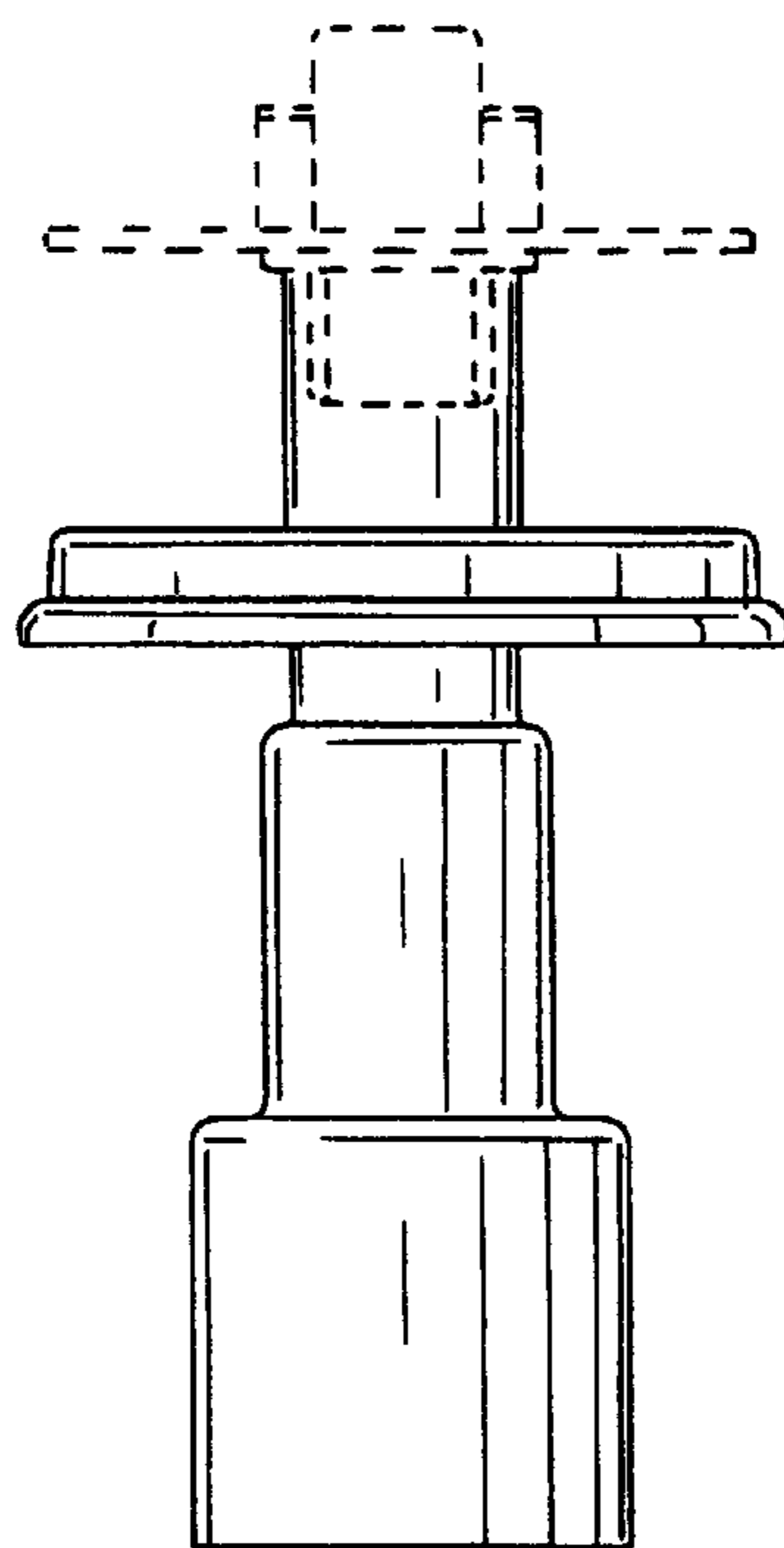


FIG. 5