



US00D449104B1

(12) **United States Design Patent**  
**Baker et al.**

(10) **Patent No.:** **US D449,104 S**

(45) **Date of Patent:** **\*\* Oct. 9, 2001**

(54) **COMBINED SPECULUM AND OBTURATOR FOR COLON HYDROTHERAPY**

*Primary Examiner*—Ian Simmons  
(74) *Attorney, Agent, or Firm*—Nixon & Vanderhye

(75) **Inventors:** **Stuart K. Baker; Mary Ruth Baker,**  
both of Ocala, FL (US)

(57) **CLAIM**

The ornamental design for a combined speculum and obturator for colon hydrotherapy, as shown and described.

(73) **Assignee:** **ClearWater Colon Hydrotherapy, Inc.,**  
Ocala, FL (US)

**DESCRIPTION**

(\*\*) **Term:** **14 Years**

FIG. 1 is a perspective view of a combined speculum and obturator for colon hydrotherapy according to our design and illustrated in a separated condition;

(21) **Appl. No.:** **29/133,215**

(22) **Filed:** **Nov. 27, 2000**

FIG. 2 is a perspective view of the speculum and obturator in a combined position;

(51) **LOC (7) Cl.** ..... **24-02**

(52) **U.S. Cl.** ..... **D24/112; D24/135**

(58) **Field of Search** ..... D24/112, 135;  
604/275, 276, 227, 33, 288, 246; 600/184,  
563, 208, 235, 210, 29

FIG. 3 is a front elevational view of the speculum hereof, the rear elevational view being a mirror image thereof;

FIG. 4 is a side elevational view of the speculum, the opposite side being a mirror image thereof;

FIG. 5 is a top plan view of the speculum;

FIG. 6 is a bottom plan view of the speculum;

FIG. 7 is a front elevational view of the obturator hereof;

FIG. 8 is a side elevational view of the obturator, the opposite side being a mirror image thereof;

FIG. 9 is a rear elevational view of the obturator hereof;

FIG. 10 is a top plan view of the obturator of FIGS. 7-9; and,

FIG. 11 is a bottom plan view thereof.

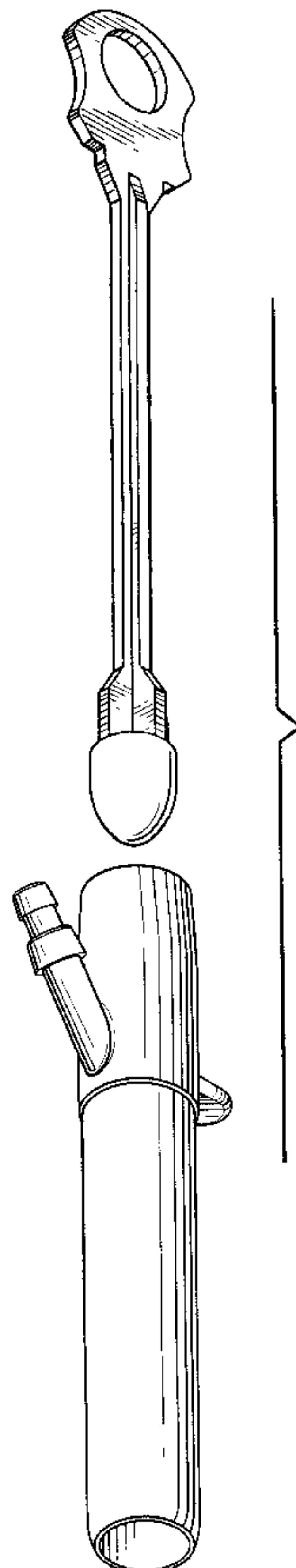
(56) **References Cited**

**U.S. PATENT DOCUMENTS**

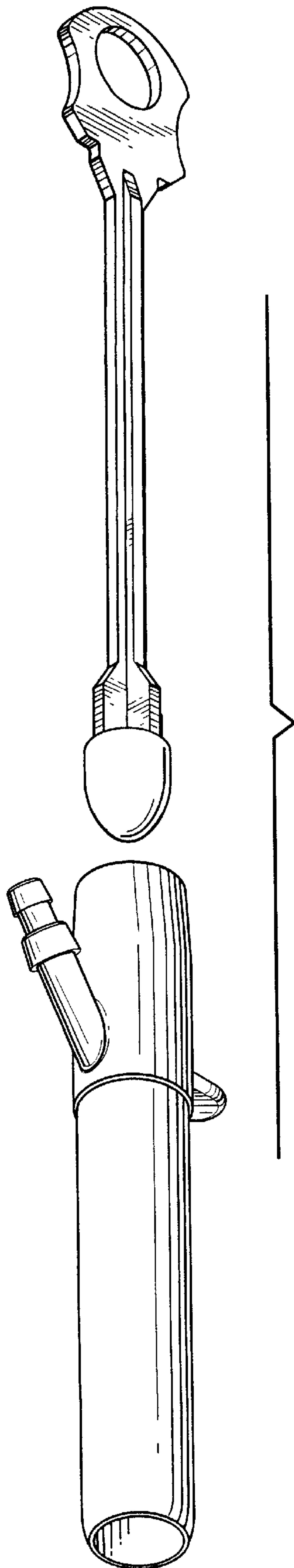
D. 385,628	10/1997	Echevarria .	
2,458,719	* 1/1949	McCormick .....	604/33
3,132,645	* 5/1964	Gaspar .....	D24/135
4,712,536	* 12/1987	Hawks .....	600/184
4,842,580	* 6/1989	Ouelette .....	600/563
4,943,285	* 7/1990	Hawks .....	604/275
5,860,916	* 1/1999	Pylant .....	600/208

\* cited by examiner

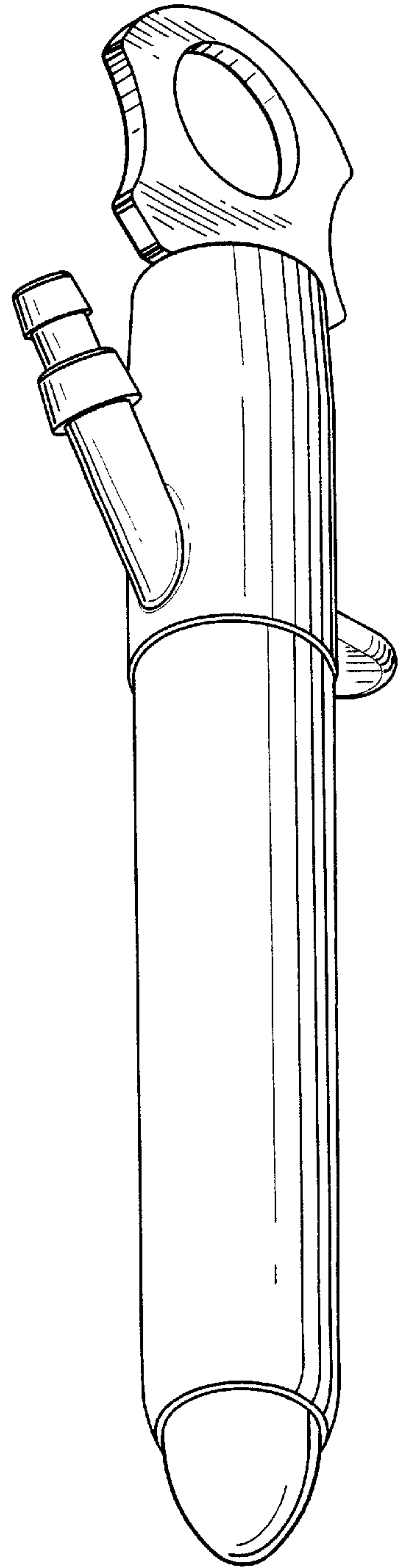
**1 Claim, 4 Drawing Sheets**



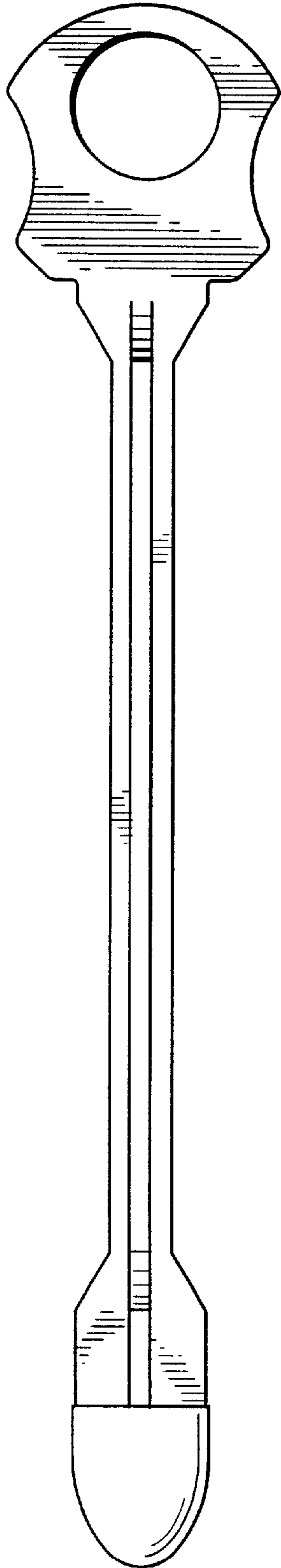
**FIG. 1**



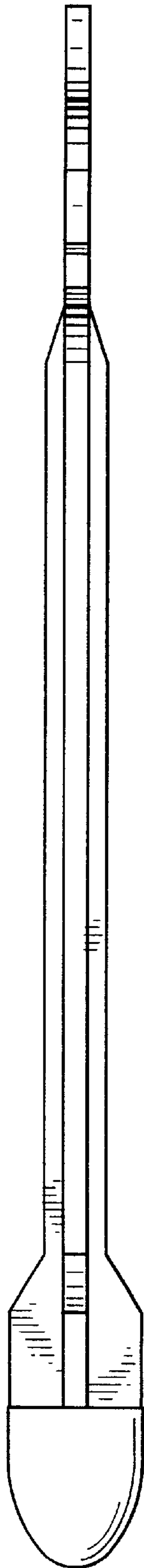
**FIG. 2**



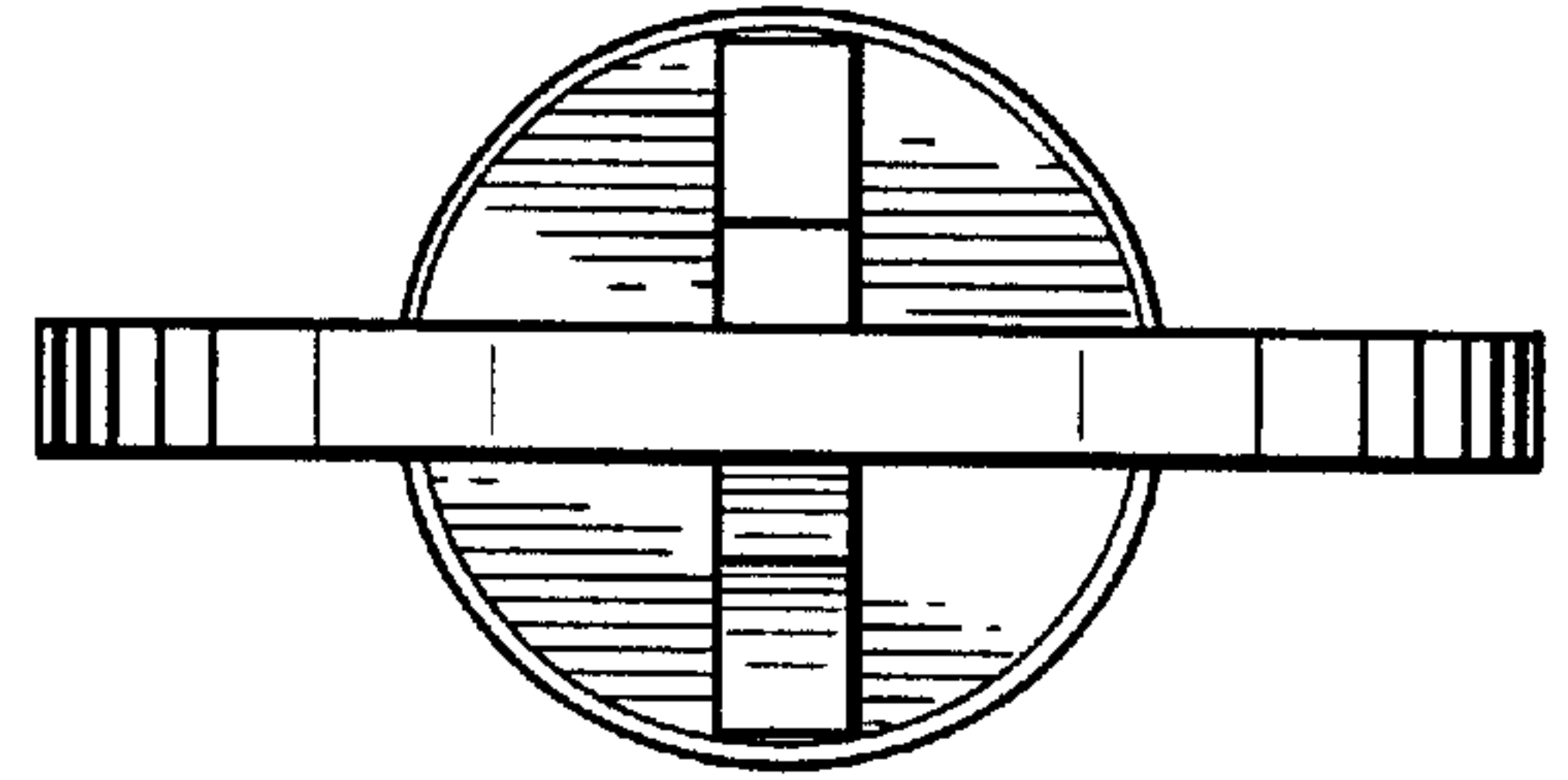
**FIG. 3**



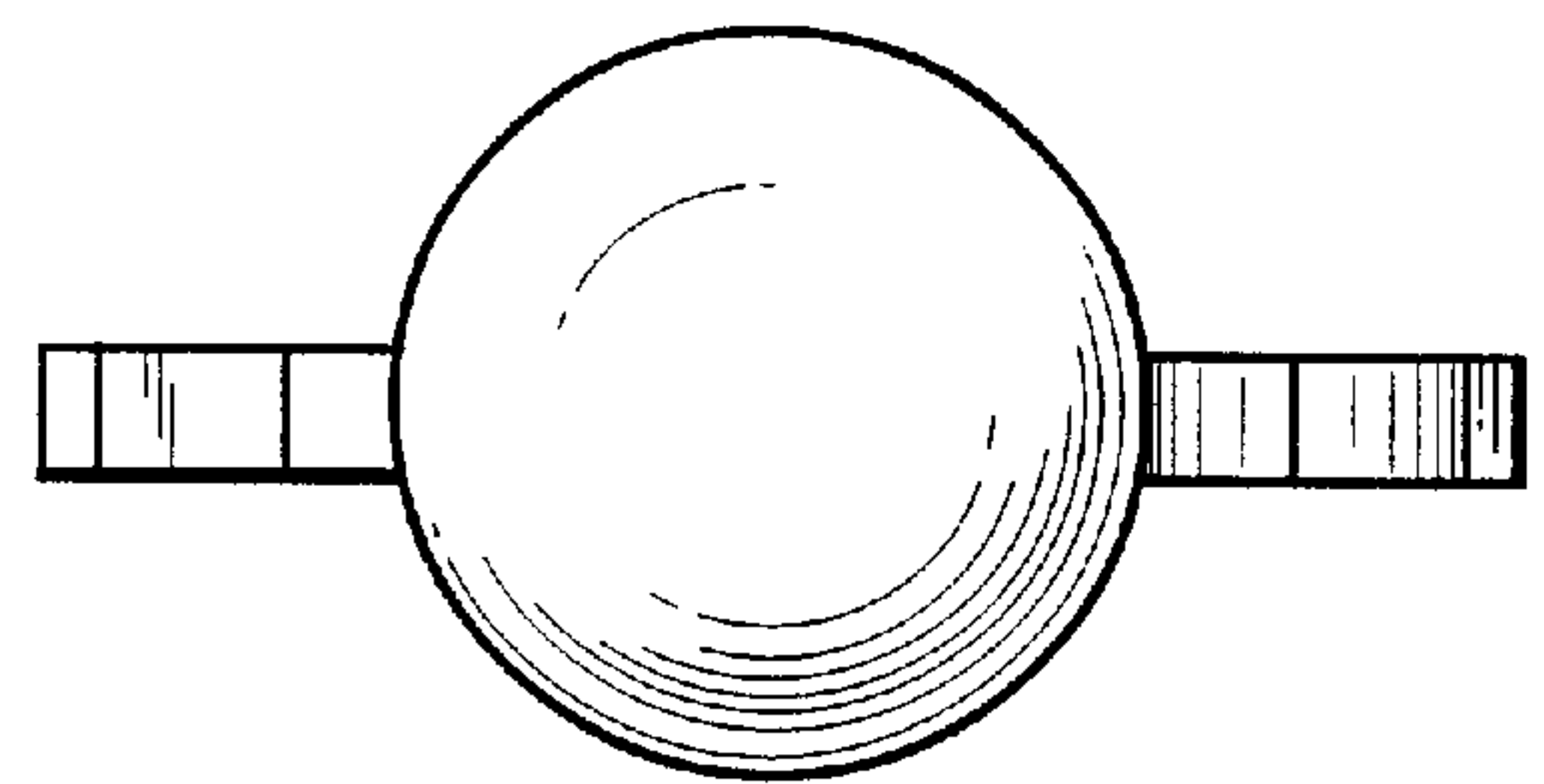
**FIG. 4**



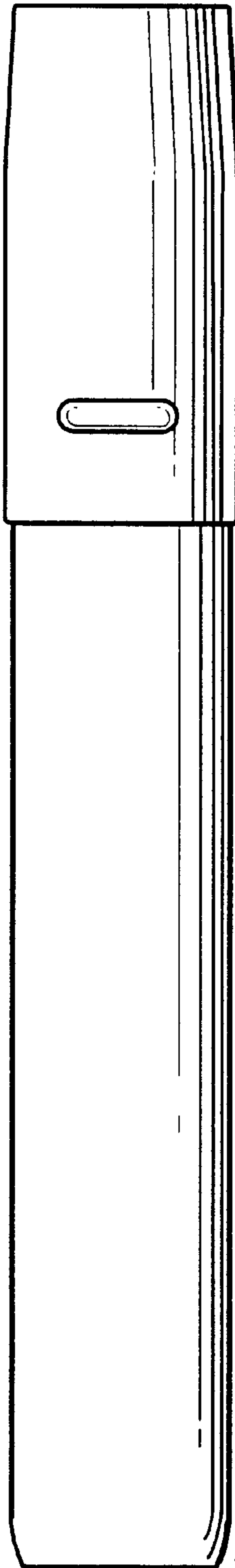
**FIG. 5**



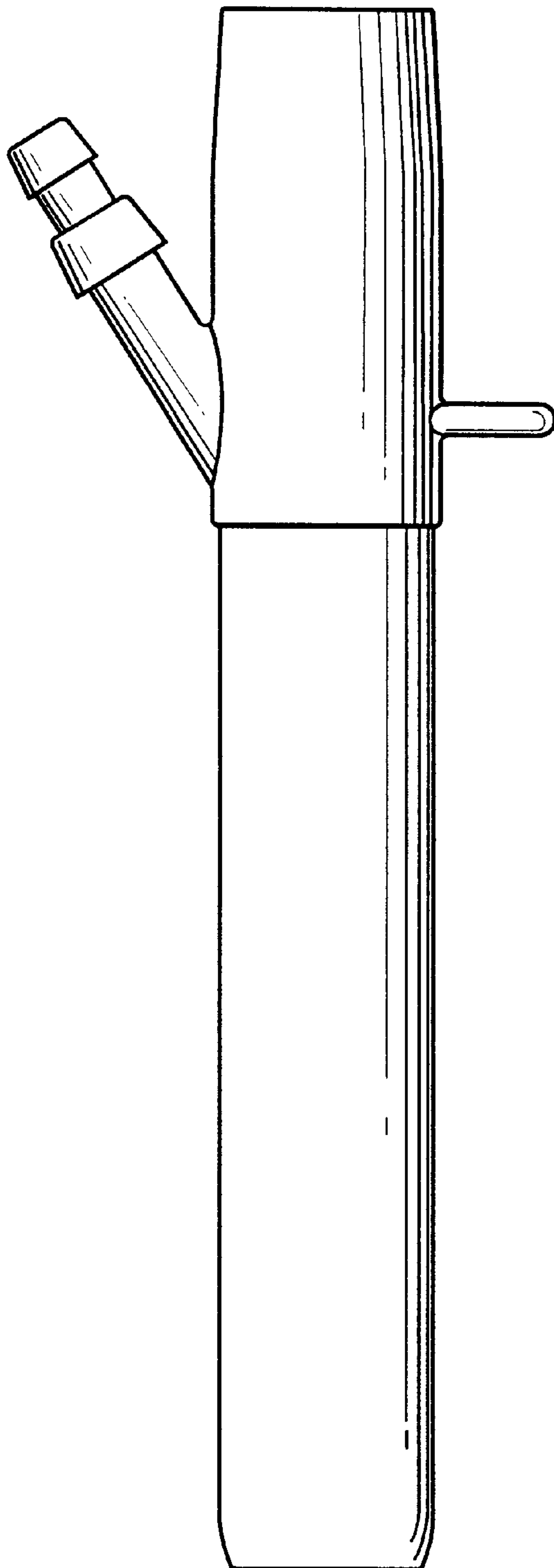
**FIG. 6**



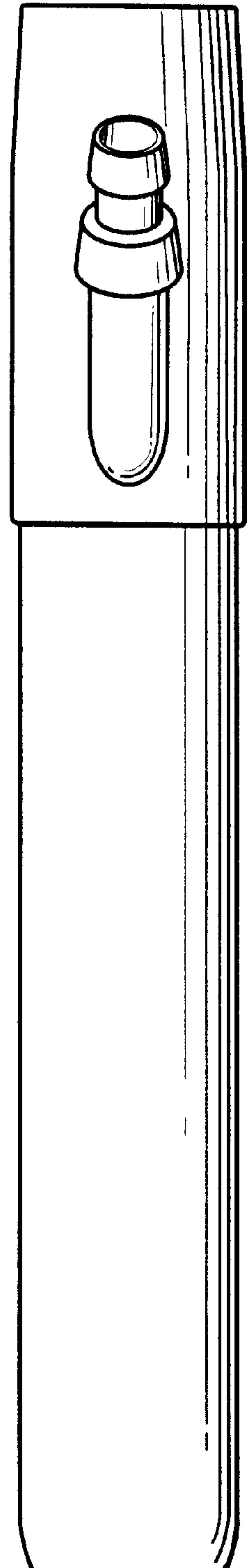
**FIG. 7**



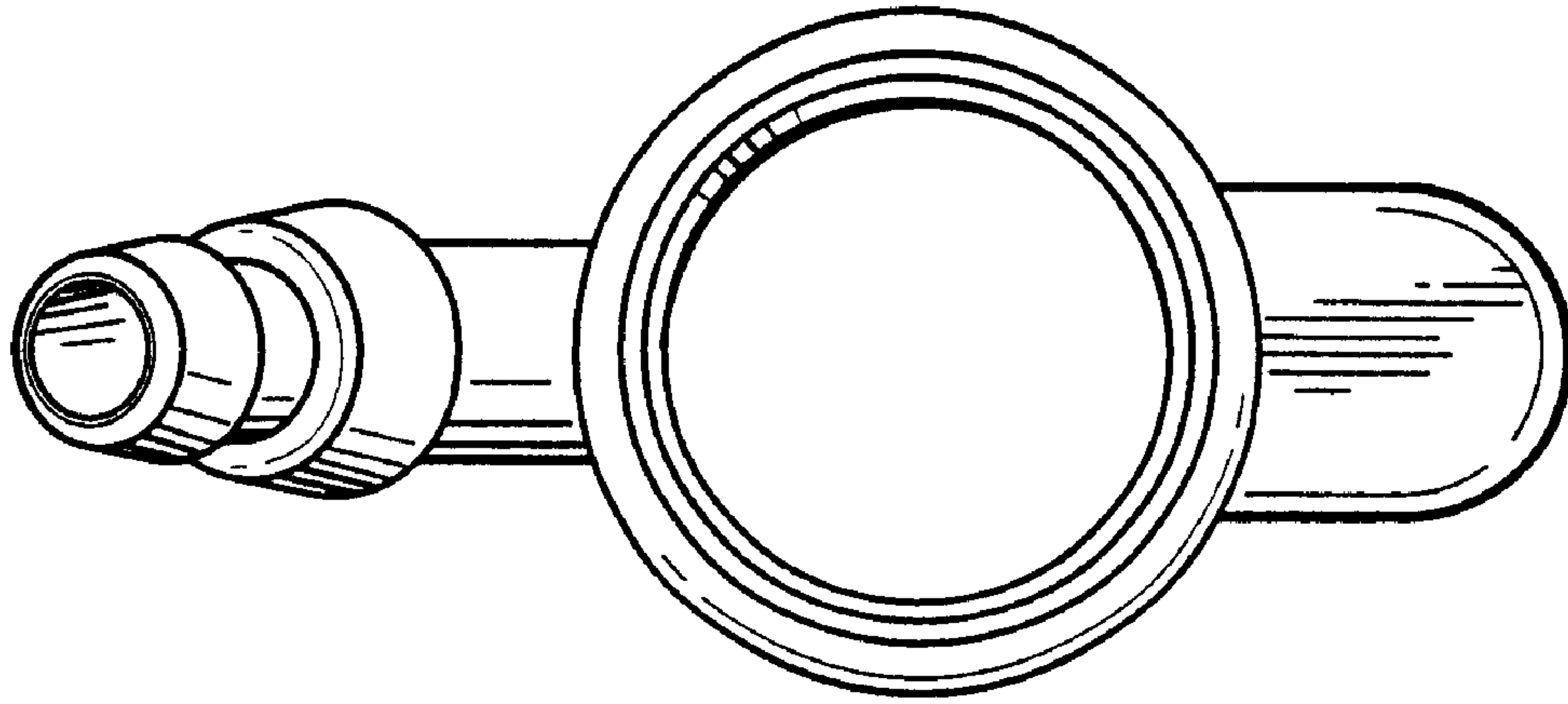
**FIG. 8**



**FIG. 9**



**FIG. 10**



**FIG. 11**

