



US00D449101B1

(12) **United States Design Patent**
Wolpert et al.

(10) **Patent No.:** **US D449,101 S**

(45) **Date of Patent:** **** Oct. 9, 2001**

(54) **ELECTRIC LIQUID VAPORIZER**

(75) Inventors: **Christopher J. Wolpert**, Scottsdale;
Donald C. Schreer, Phoenix, both of
AZ (US)

(73) Assignee: **The Dial Corporation**, Scottsdale, AZ
(US)

(**) Term: **14 Years**

(21) Appl. No.: **29/106,499**

(22) Filed: **Jun. 16, 1999**

(51) **LOC (7) Cl.** **23-04**

(52) **U.S. Cl.** **D23/366; D23/360**

(58) **Field of Search** D23/366-369,
D23/355, 356-363, 427, 305, 125; D9/529,
544, 571; 239/136, 135; 392/395, 392,
403, 405

(56) **References Cited**

U.S. PATENT DOCUMENTS

D. 159,407	7/1950	Costello .	
D. 189,420	12/1960	Diehl .	
D. 307,180	4/1990	Luthy .	
D. 335,530	5/1993	Schimanski .	
D. 346,207	4/1994	Martin .	
D. 357,330	4/1995	Wong et al. .	
D. 381,443	7/1997	Yuen .	
D. 386,974	12/1997	Wefler .	
D. 393,063	3/1998	Wefler .	
D. 433,744	* 11/2000	Basaganas	D23/366
D. 437,636	* 2/2001	Basaganas	D23/366
2,611,068	9/1952	Wellens .	
4,724,976	2/1988	Lee .	
4,739,928	4/1988	O'Neil .	
4,745,705	5/1988	Yamamoto et al. .	
5,016,772	5/1991	Wilk .	
5,039,394	8/1991	Hasegawa et al. .	
5,050,762	9/1991	Giorgi .	
5,940,577	8/1999	Steinel .	

* cited by examiner

Primary Examiner—Lisa Lichtenstein

(74) *Attorney, Agent, or Firm*—Snell & Wilmer L.L.P.

(57) **CLAIM**

The ornamental design for the electric liquid vaporizer, as shown.

DESCRIPTION

FIG. 1 is a perspective view of an electric liquid vaporizer showing our new design;

FIG. 2 is a front view of the electric liquid vaporizer of FIG. 1;

FIG. 3 is a rear view of the electric liquid vaporizer of FIG. 1;

FIG. 4 is a right side elevational view of the electric liquid vaporizer of FIG. 1;

FIG. 5 is a left side elevational view of the electric liquid vaporizer of FIG. 1;

FIG. 6 is a top plan view of the electric liquid vaporizer of FIG. 1;

FIG. 7 is a bottom plan view of the electric liquid vaporizer of FIG. 1;

FIG. 8 is an exploded view of the electric liquid vaporizer of FIG. 1 showing the separated housing unit (top) and bottle portion (bottom);

FIG. 9 is a front view of the housing unit of the electric liquid vaporizer of FIG. 1, shown separately for clarity of illustration;

FIG. 10 is a rear view of housing unit of FIG. 9;

FIG. 11 is a right side view of the housing unit of FIG. 9;

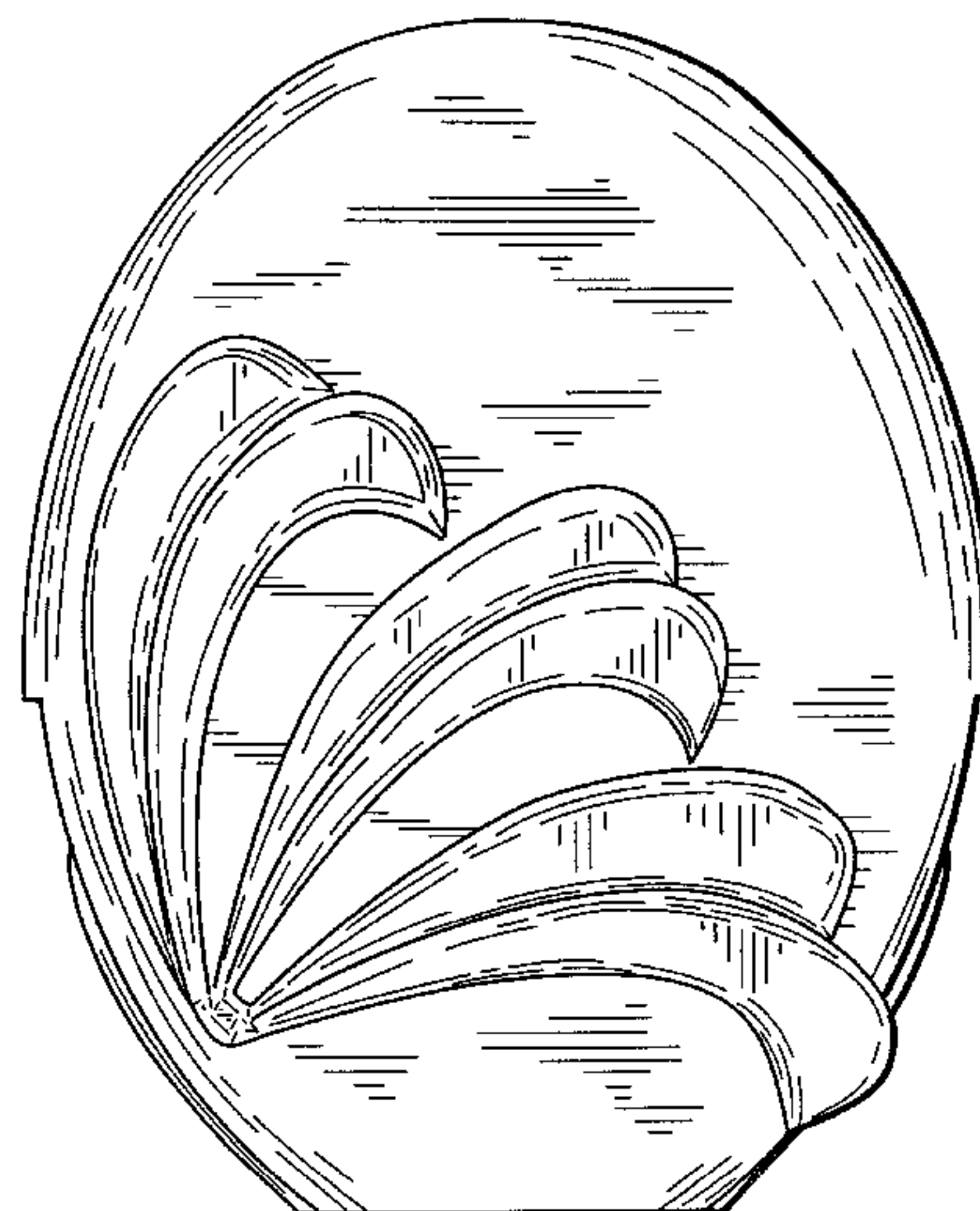
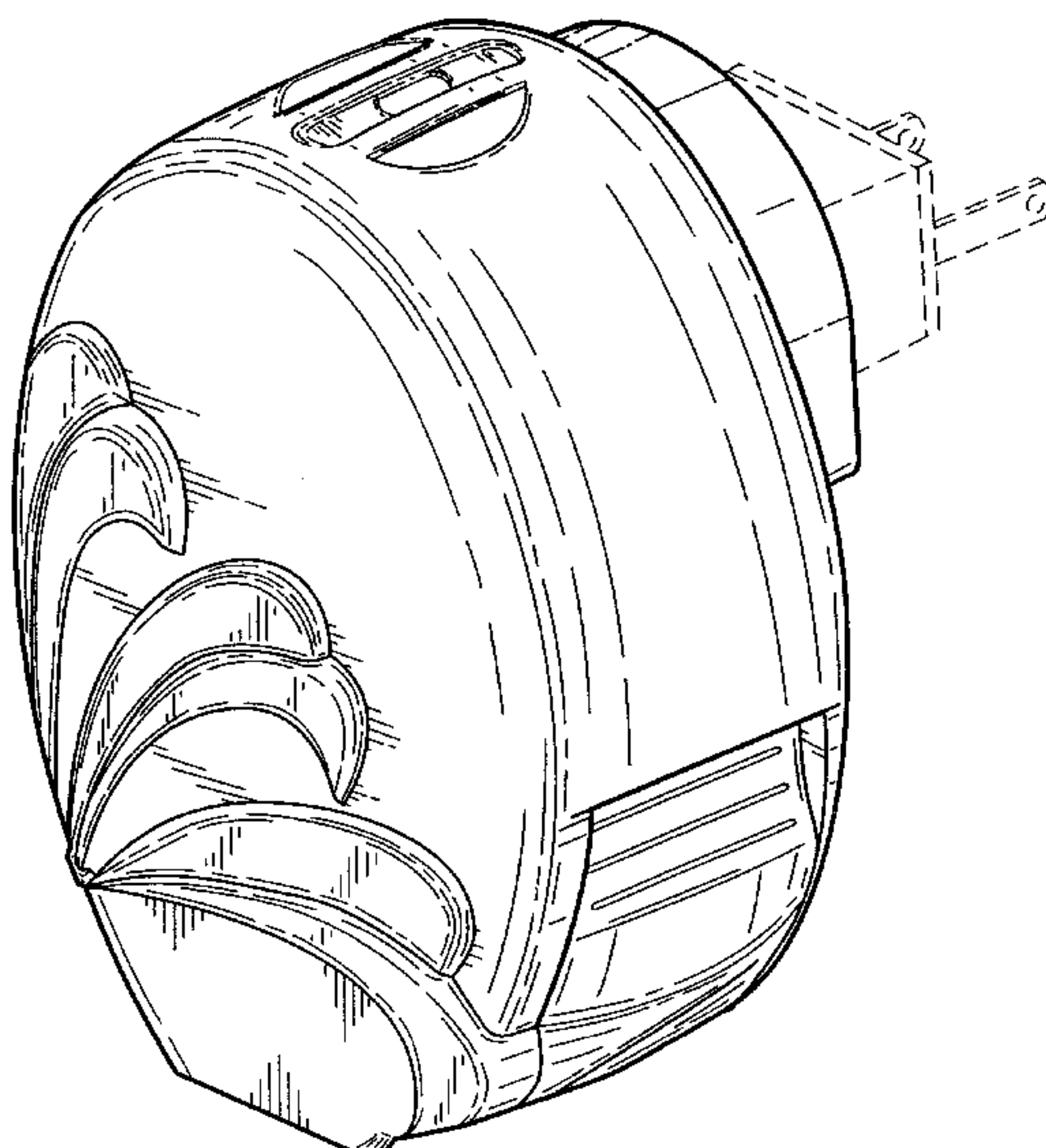
FIG. 12 is a left side view of the housing unit of FIG. 9;

FIG. 13 is a top view of the housing unit of FIG. 9; and,

FIG. 14 is a bottom view of the housing unit of FIG. 9.

The broken line showing of environmental structure in FIGS. 1 and 3-14 is for illustrative purposes only and forms no part of the claimed design.

1 Claim, 14 Drawing Sheets



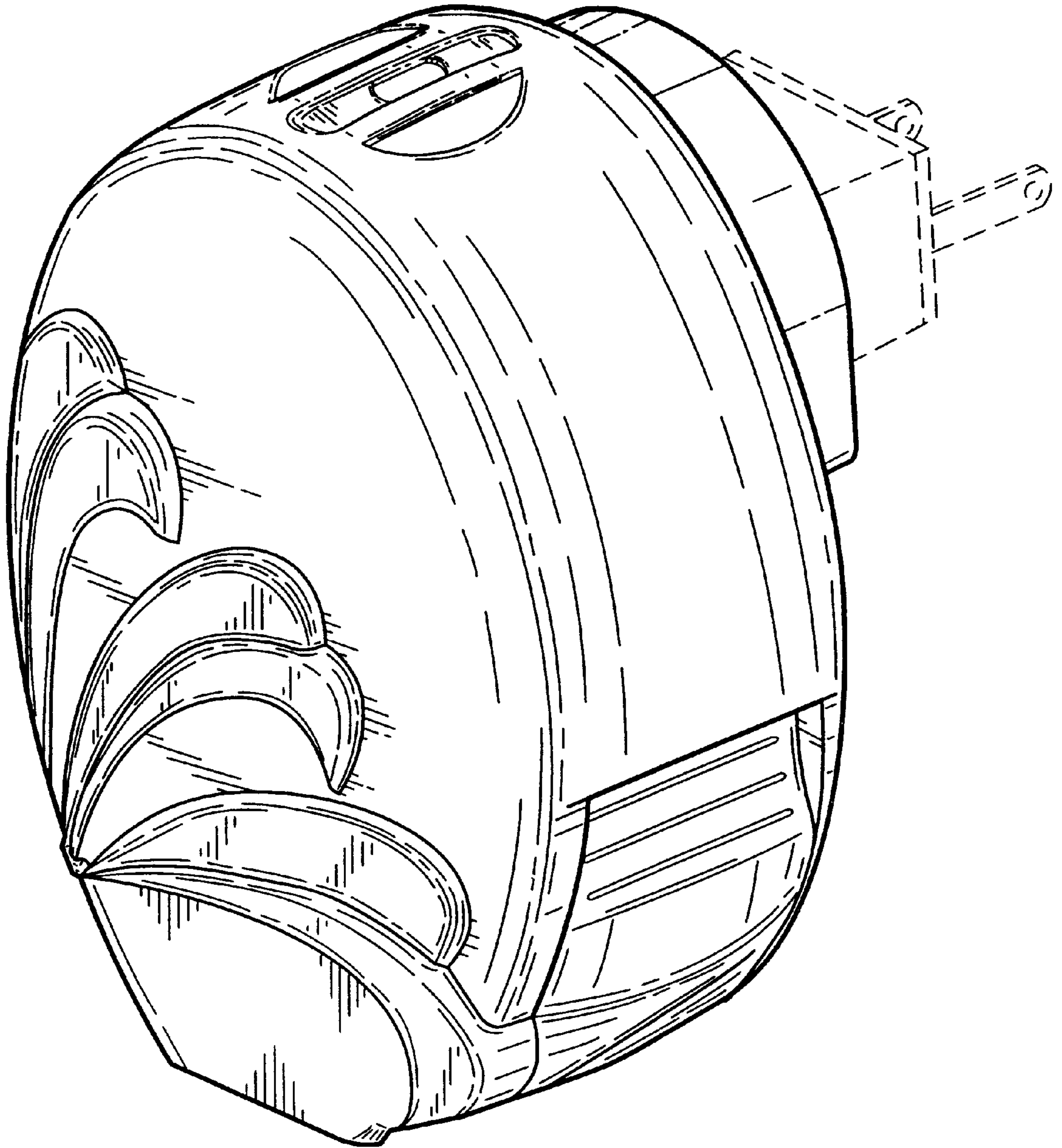


FIG.1

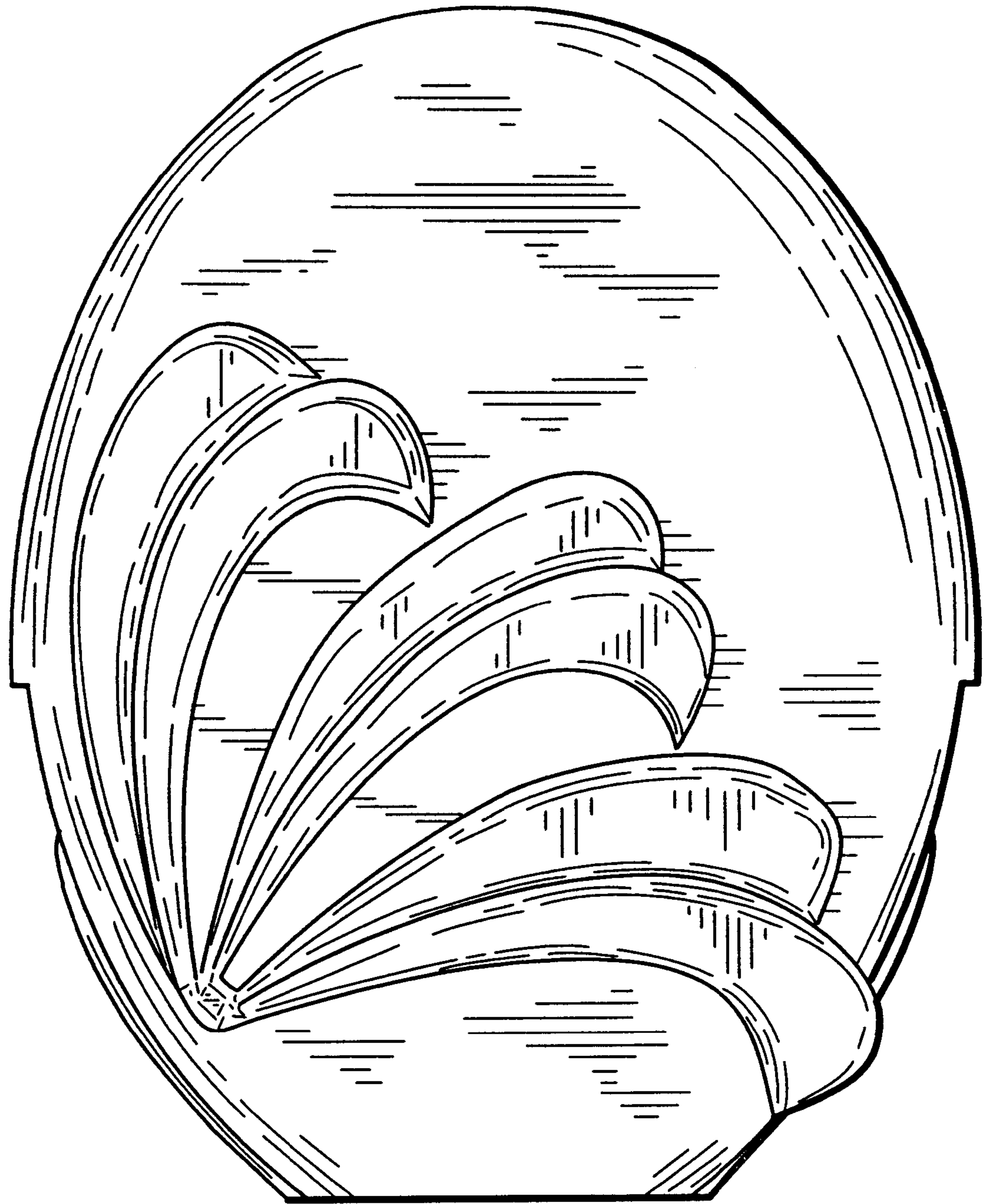


FIG.2

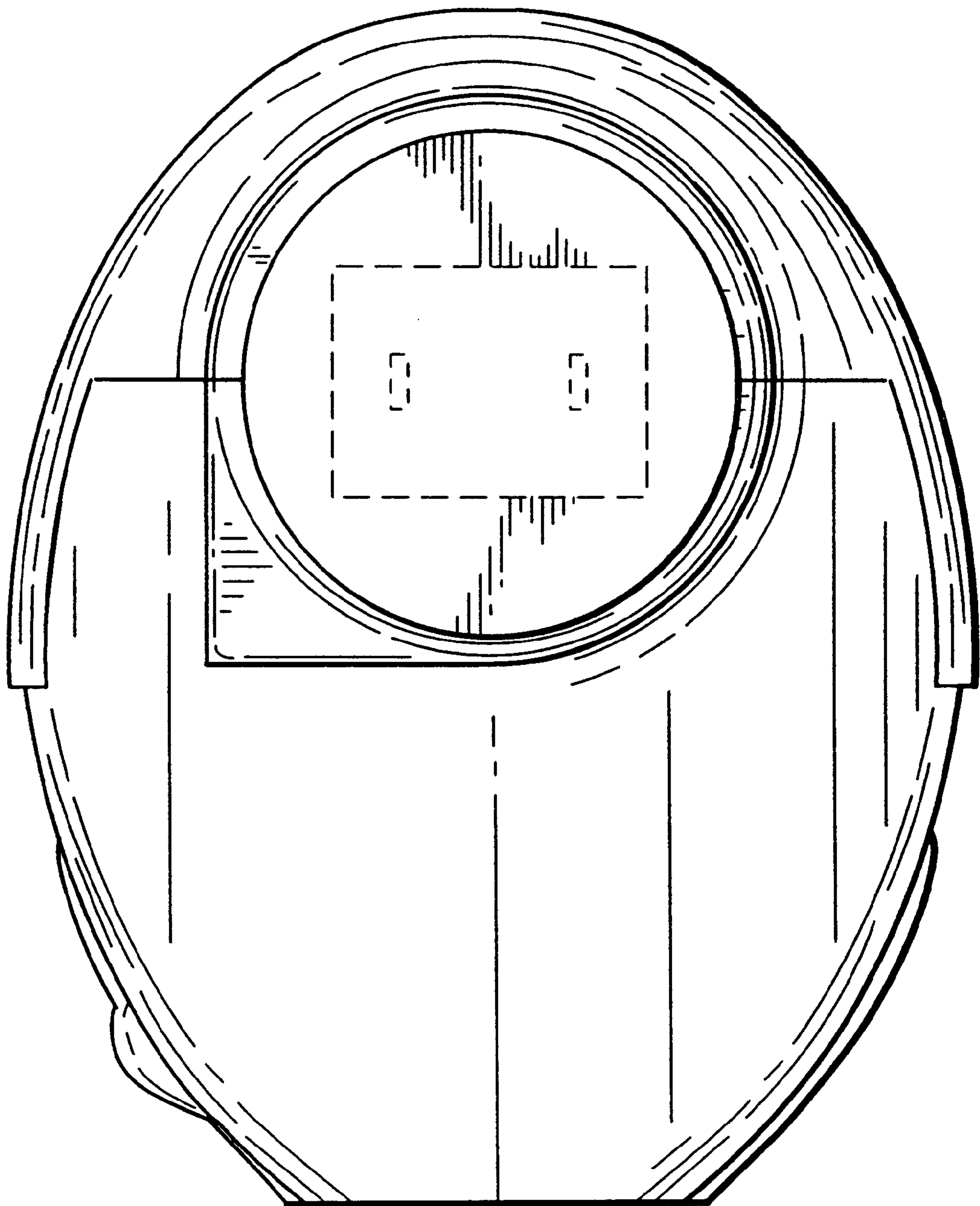


FIG.3

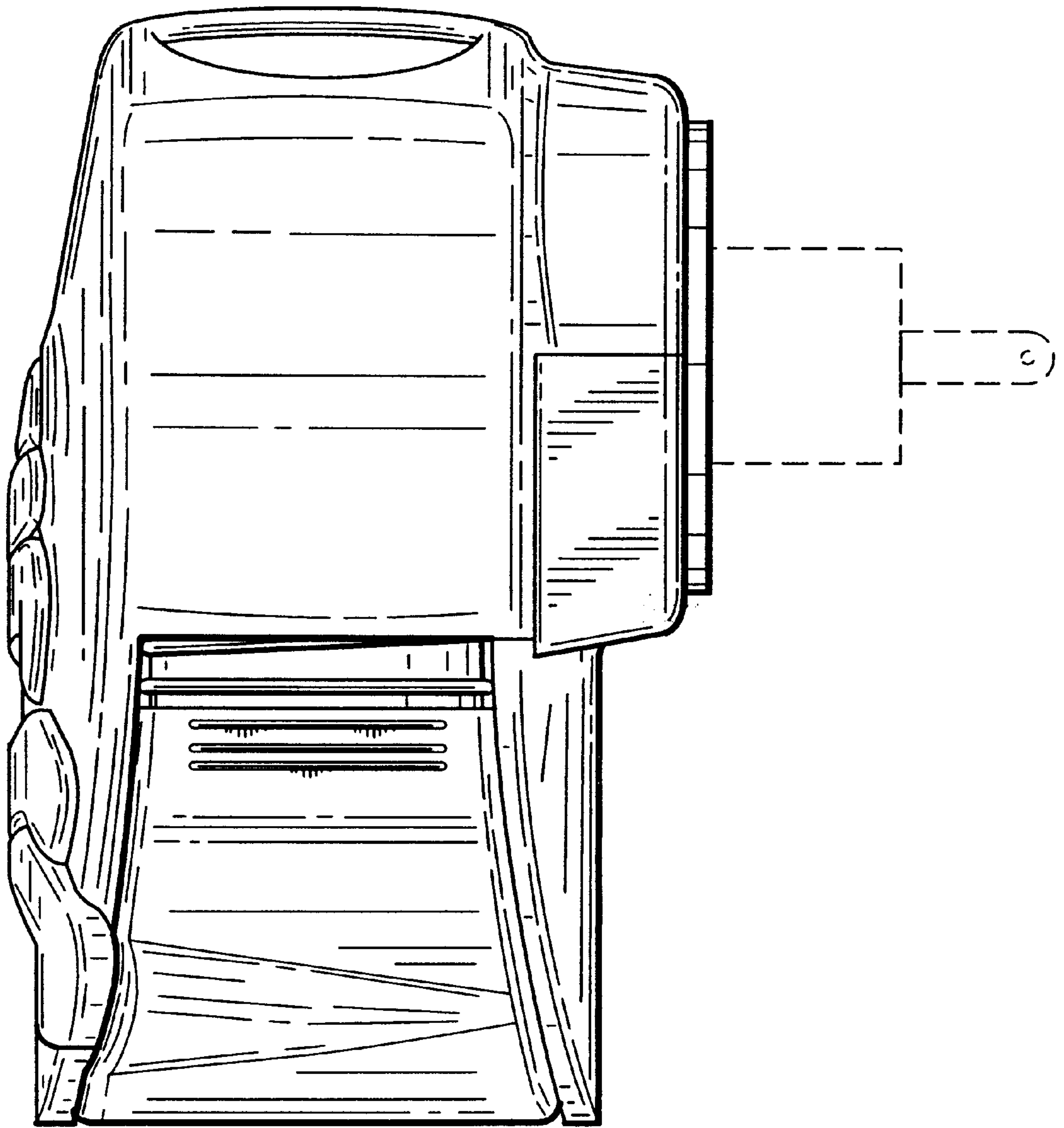


FIG.4

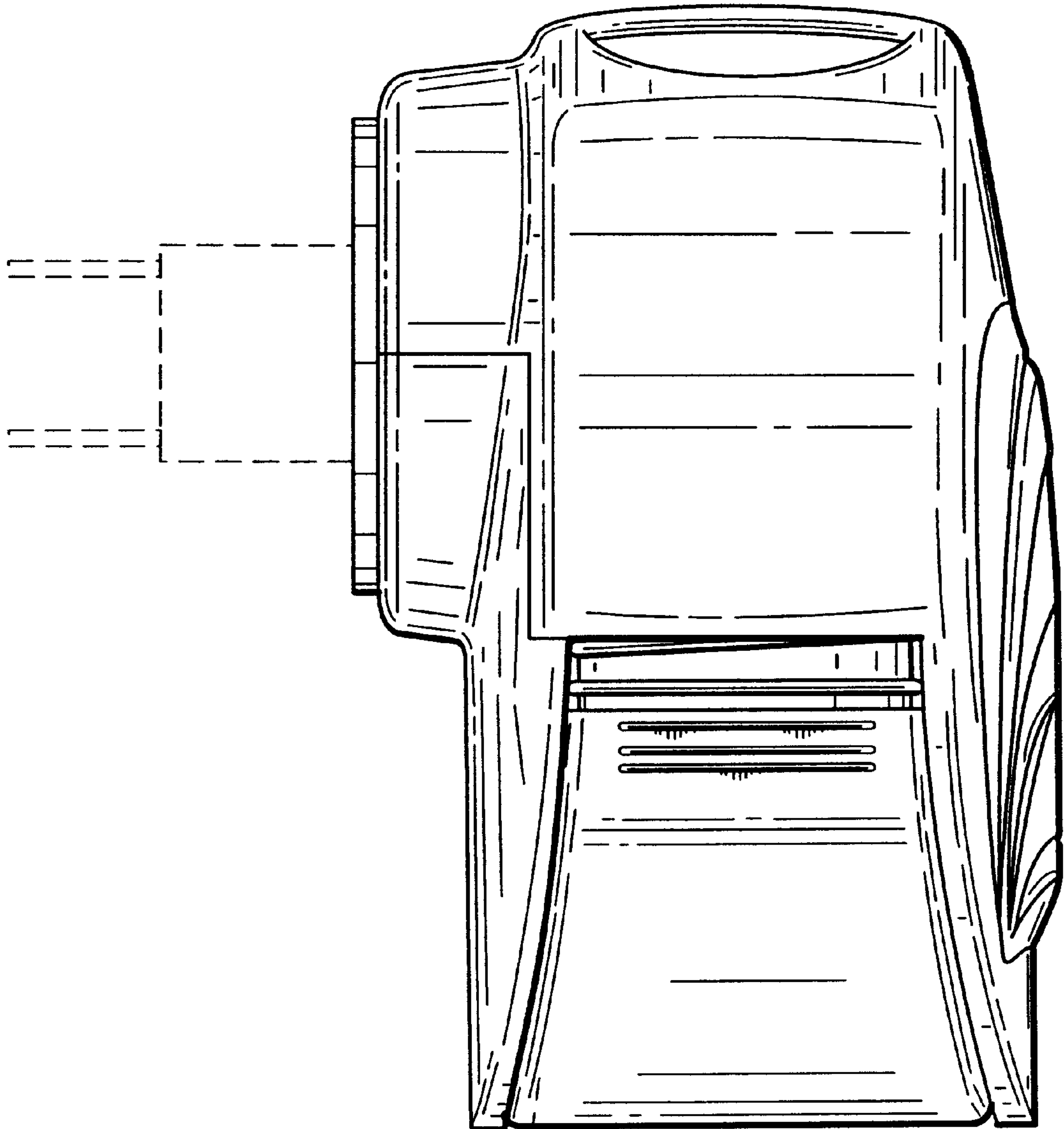


FIG.5

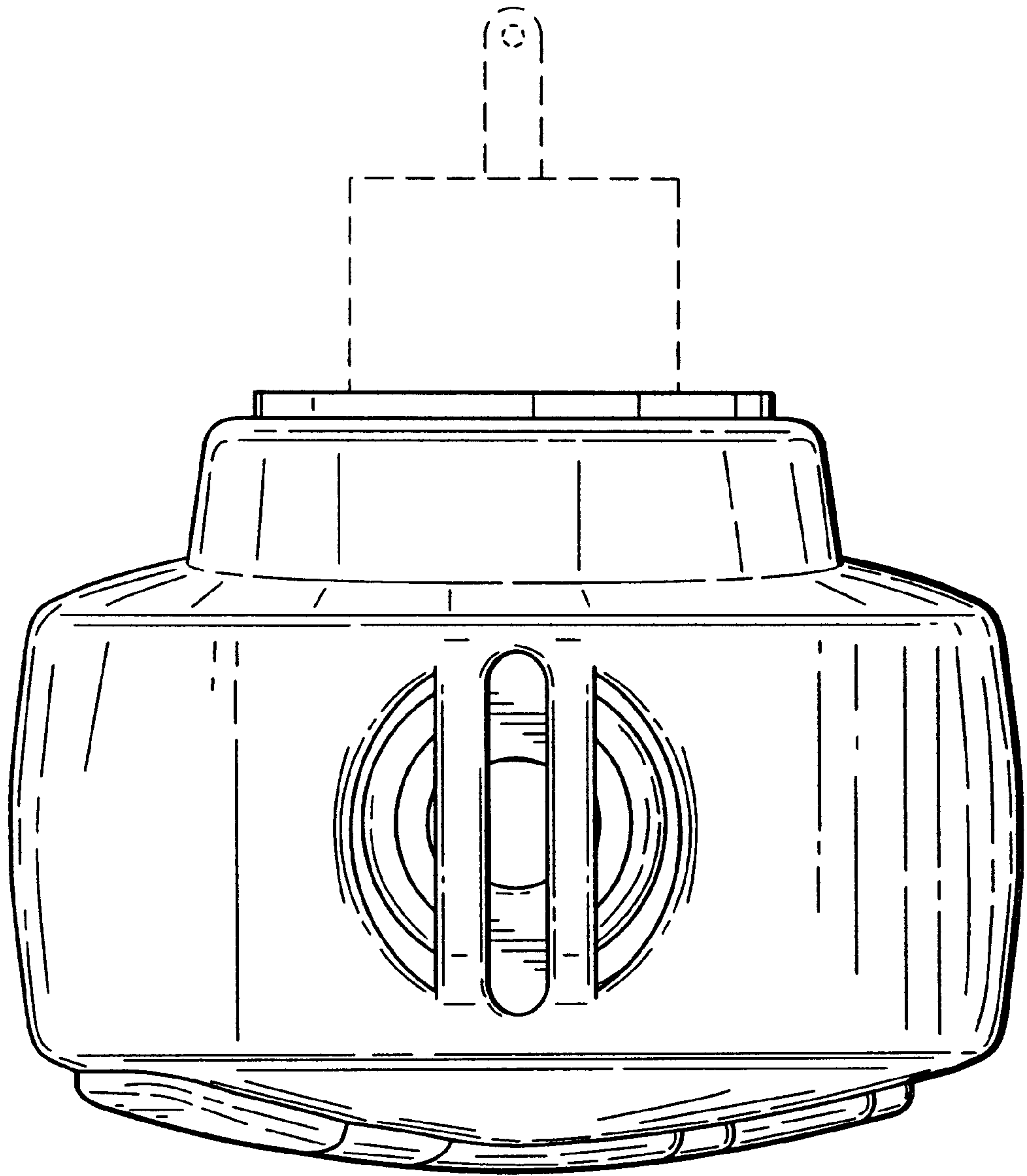


FIG.6

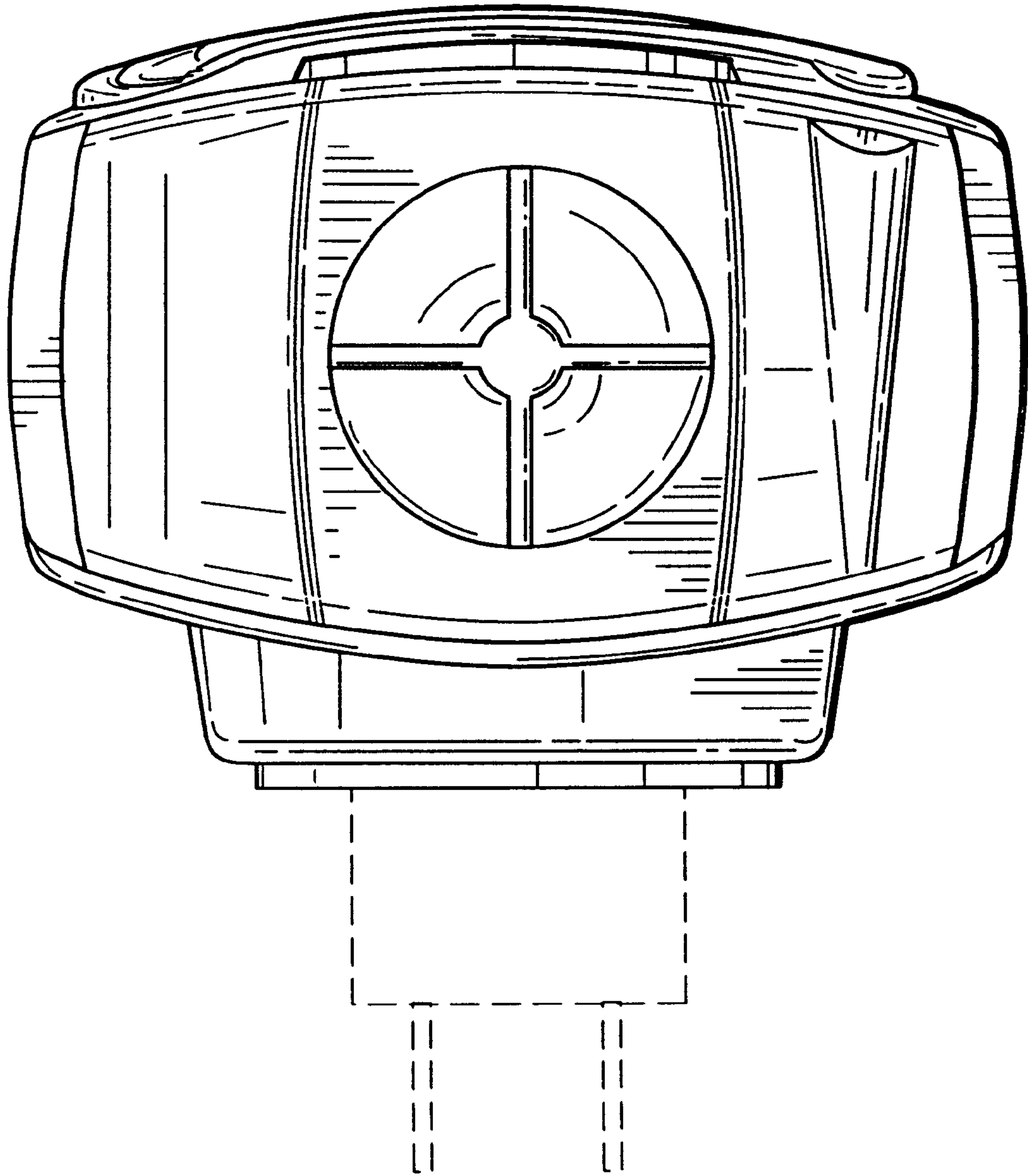
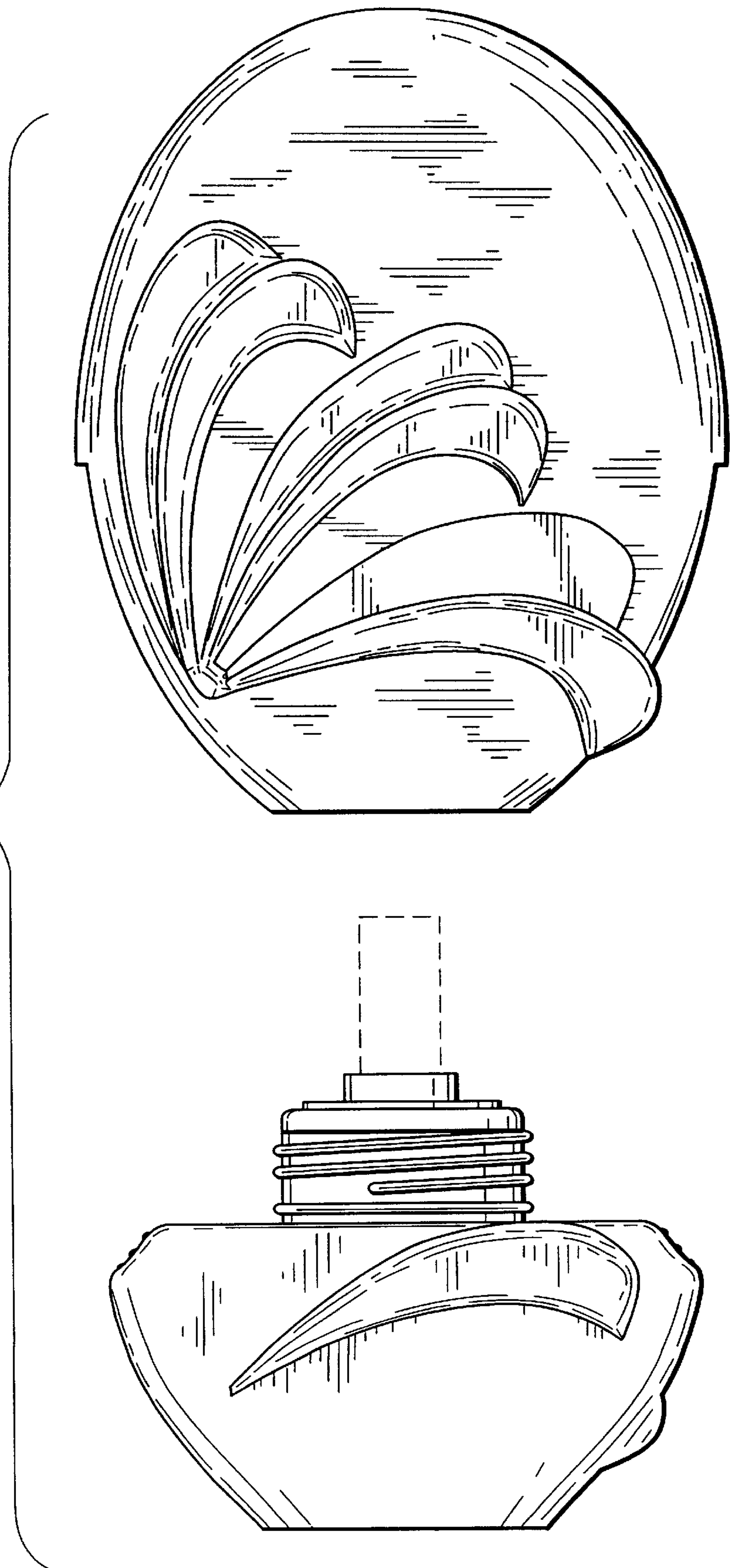


FIG.7

FIG.8



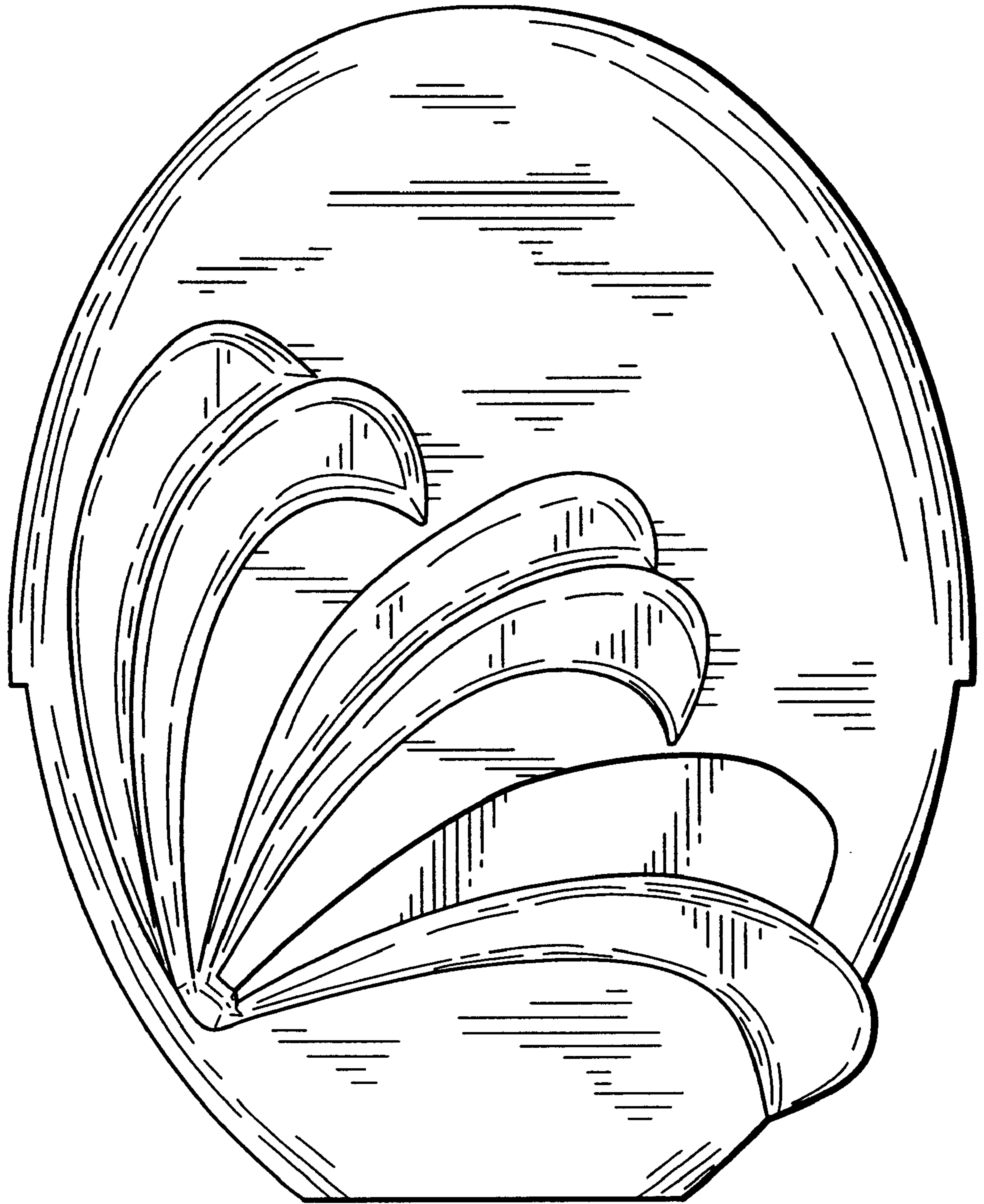


FIG.9

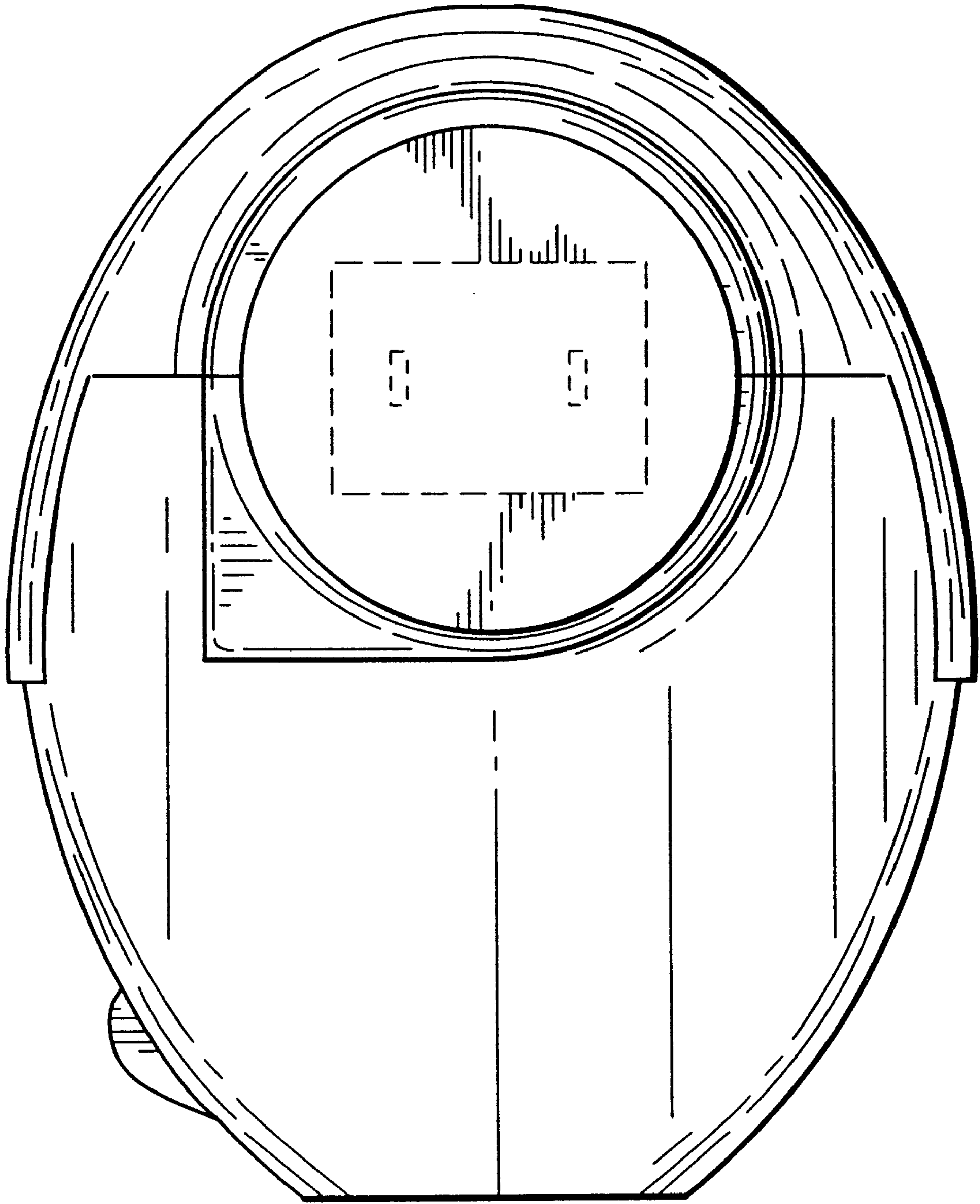


FIG. 10

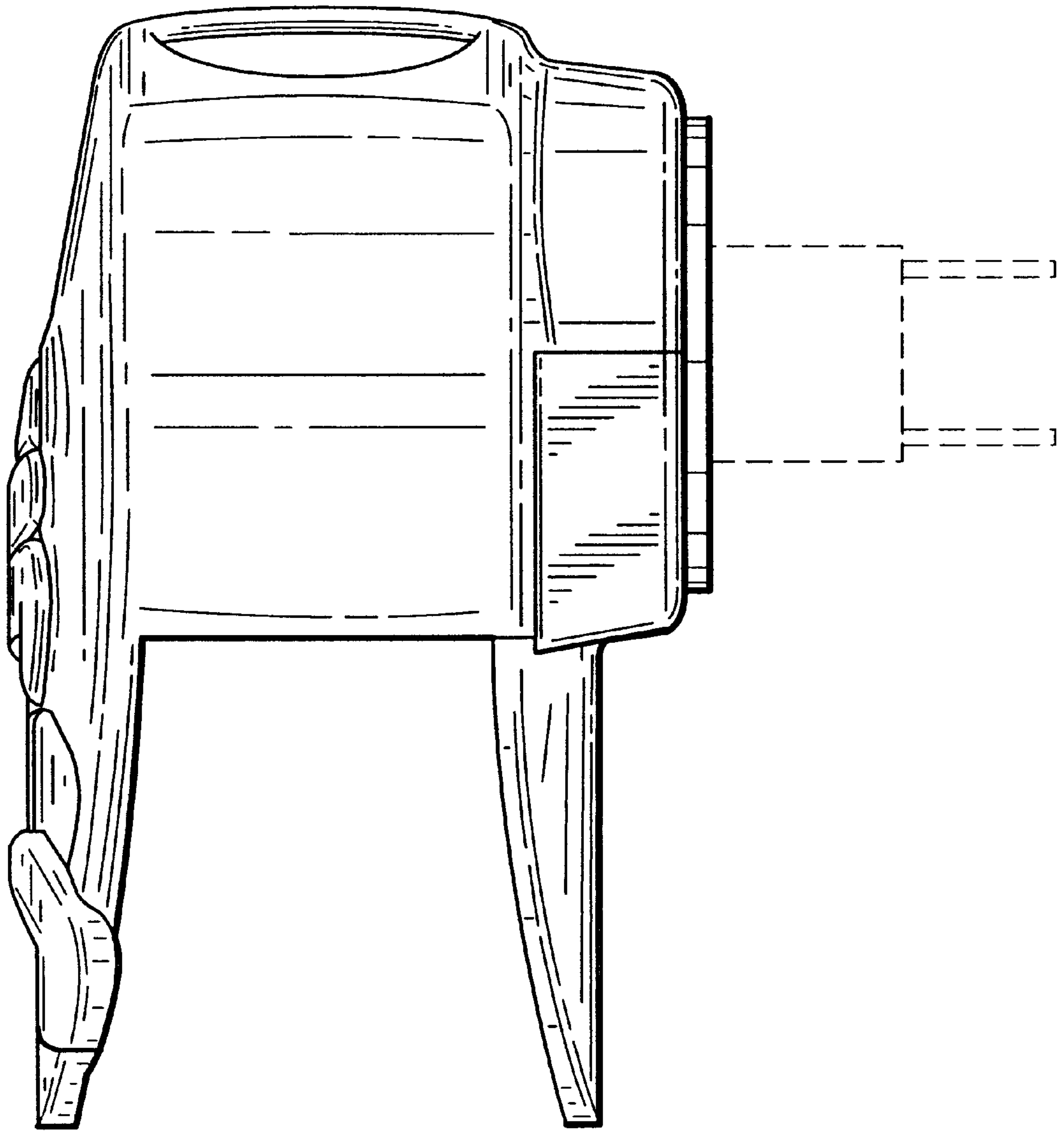


FIG. 11

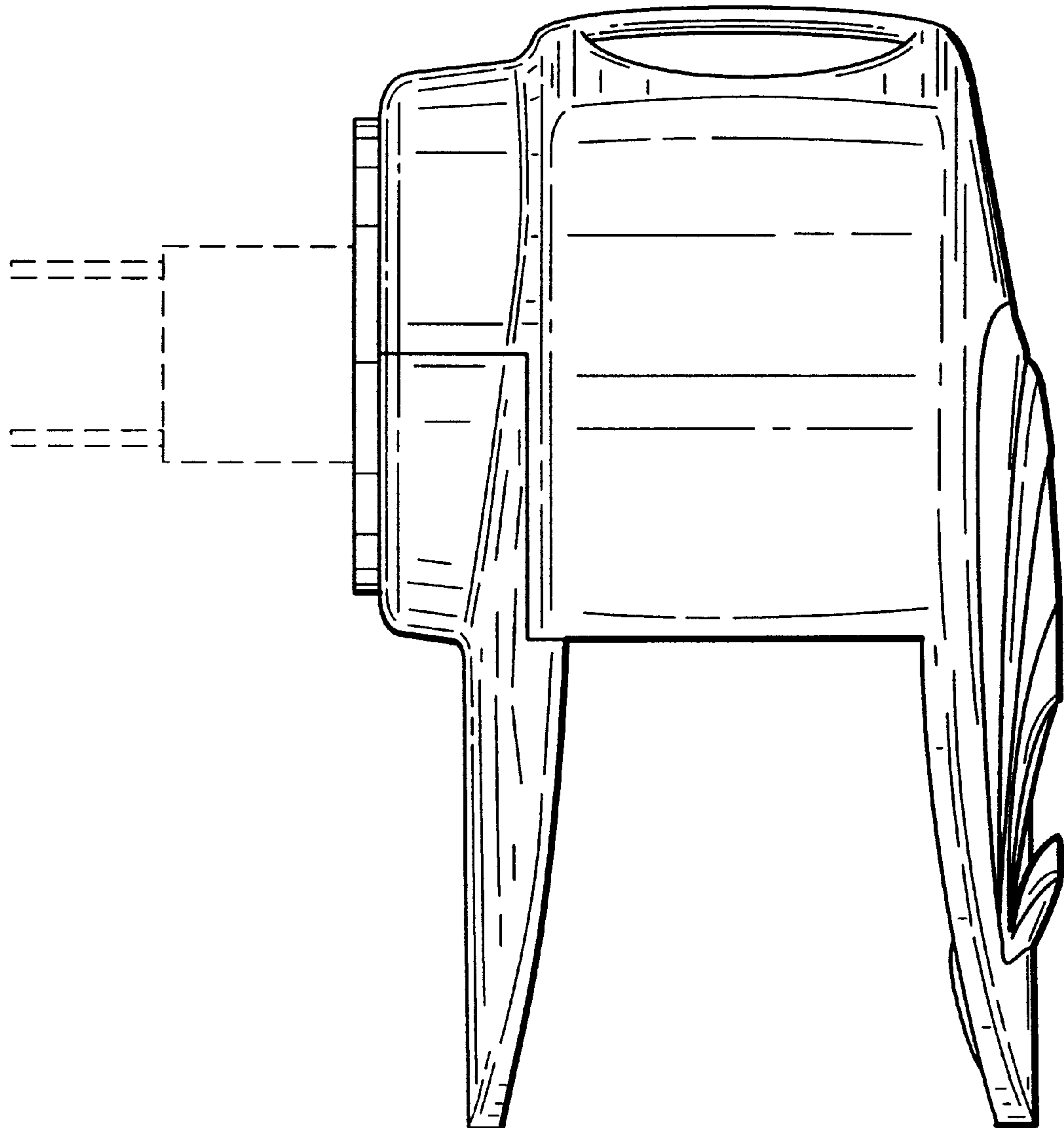


FIG.12

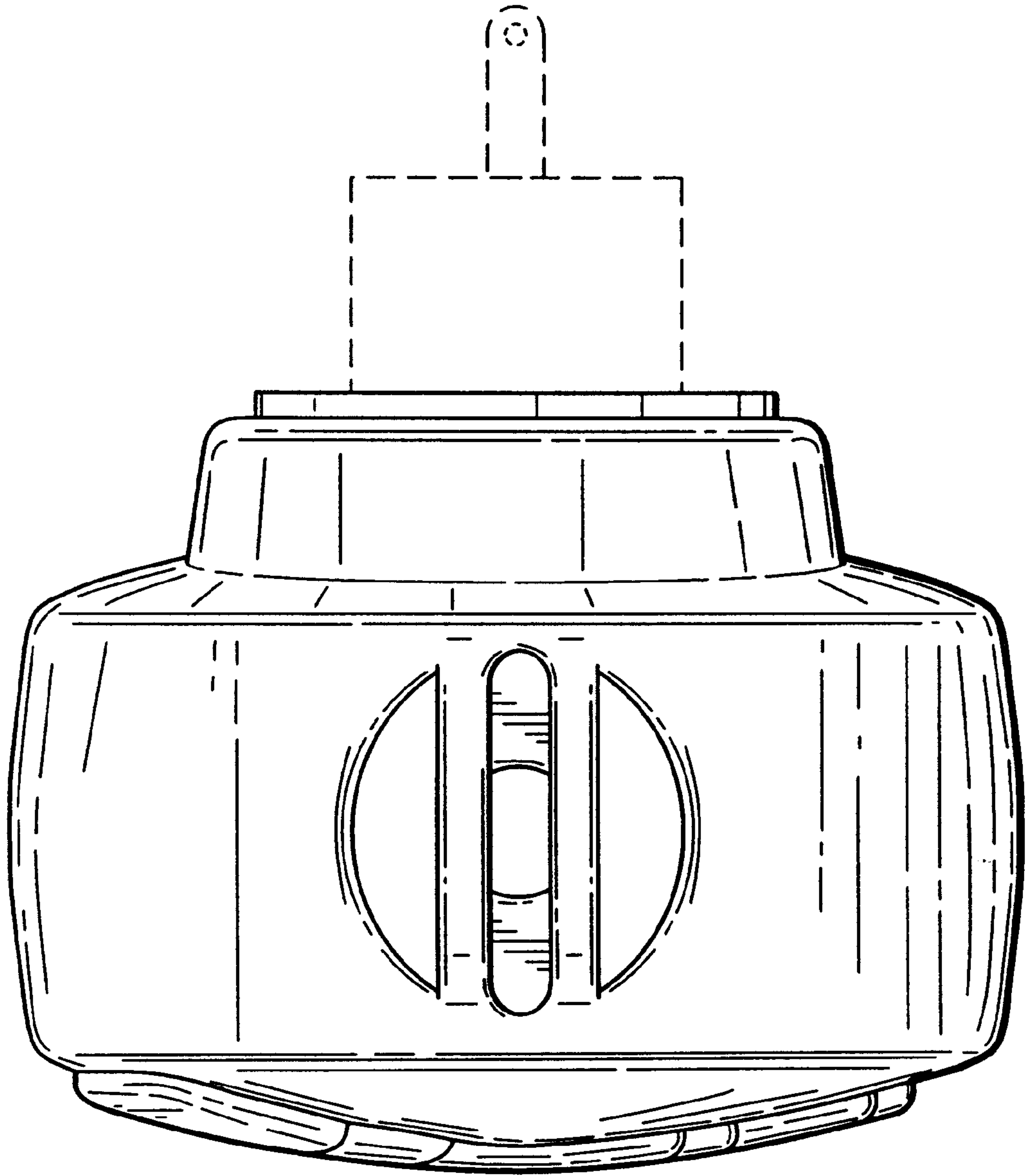


FIG. 13

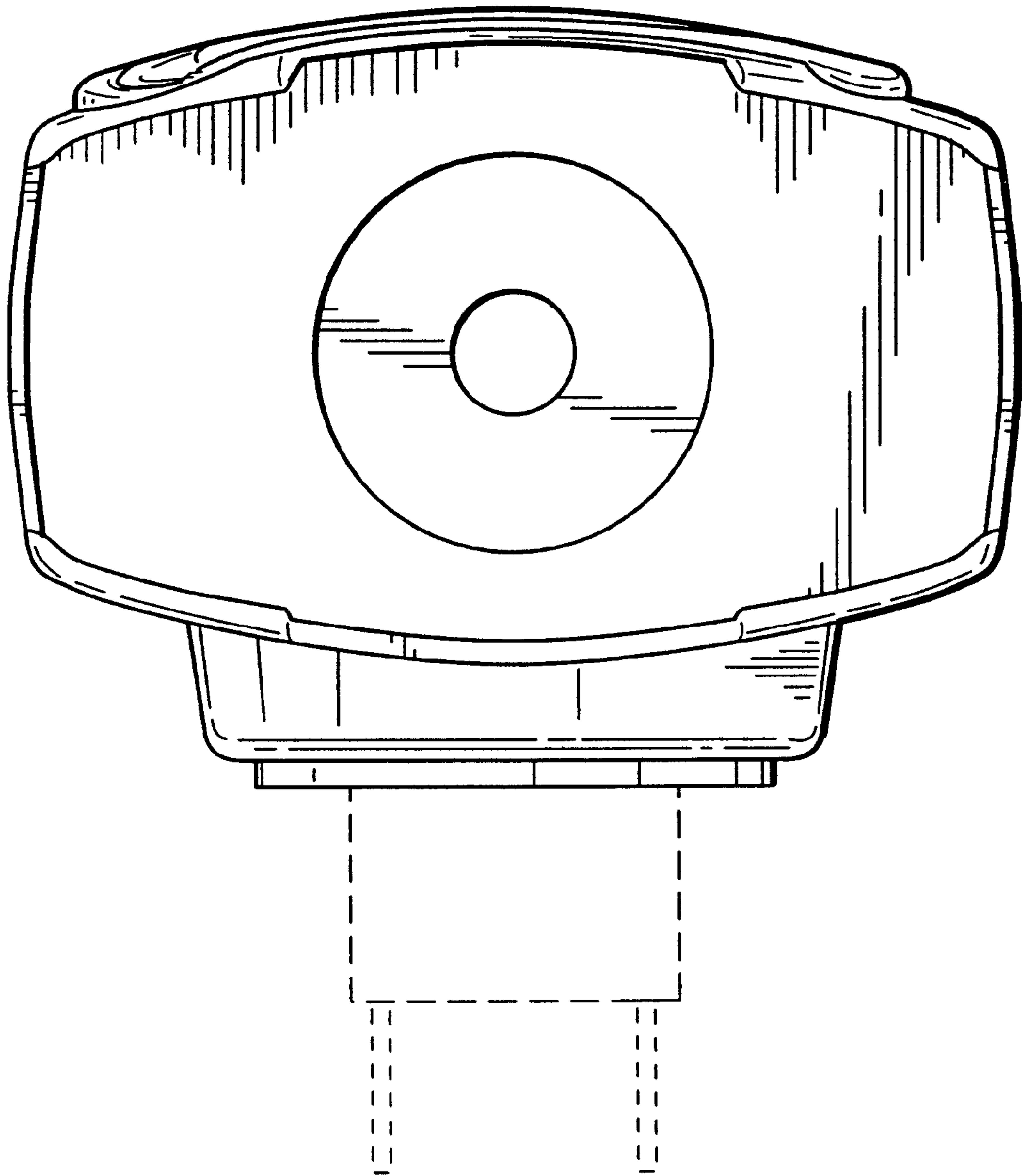


FIG.14