



US00D449099B1

(12) **United States Design Patent**  
**Juhlin et al.**

(10) **Patent No.:** **US D449,099 S**

(45) **Date of Patent:** **\*\* Oct. 9, 2001**

(54) **BLOWER FILTER UNIT**

D. 414,254 \* 9/1999 Wu ..... D23/355  
D. 424,676 \* 5/2000 Hoshino ..... D23/365

(75) Inventors: **Oskar Juhlin; David Crafoord**, both of Bromma; **Arne Linderstrand**, Leksand; **Ingemar Westberg**, Falun; **Jonas Nordlöf**, Avesta, all of (SE)

\* cited by examiner

*Primary Examiner*—Lisa Lichtenstein  
(74) *Attorney, Agent, or Firm*—Young & Thompson

(73) Assignee: **Hornell International AB**, Gagnef (SE)

(57) **CLAIM**

(\*\*) Term: **14 Years**

The ornamental design for a blower filter unit, as shown.

(21) Appl. No.: **29/128,211**

**DESCRIPTION**

(22) Filed: **Aug. 22, 2000**

(30) **Foreign Application Priority Data**

Feb. 22, 2000 (SE) ..... 00-0361

(51) **LOC (7) Cl.** ..... **23-04**

(52) **U.S. Cl.** ..... **D23/365; D23/355**

(58) **Field of Search** ..... **D23/365, 383, D23/355; 55/467, 473**

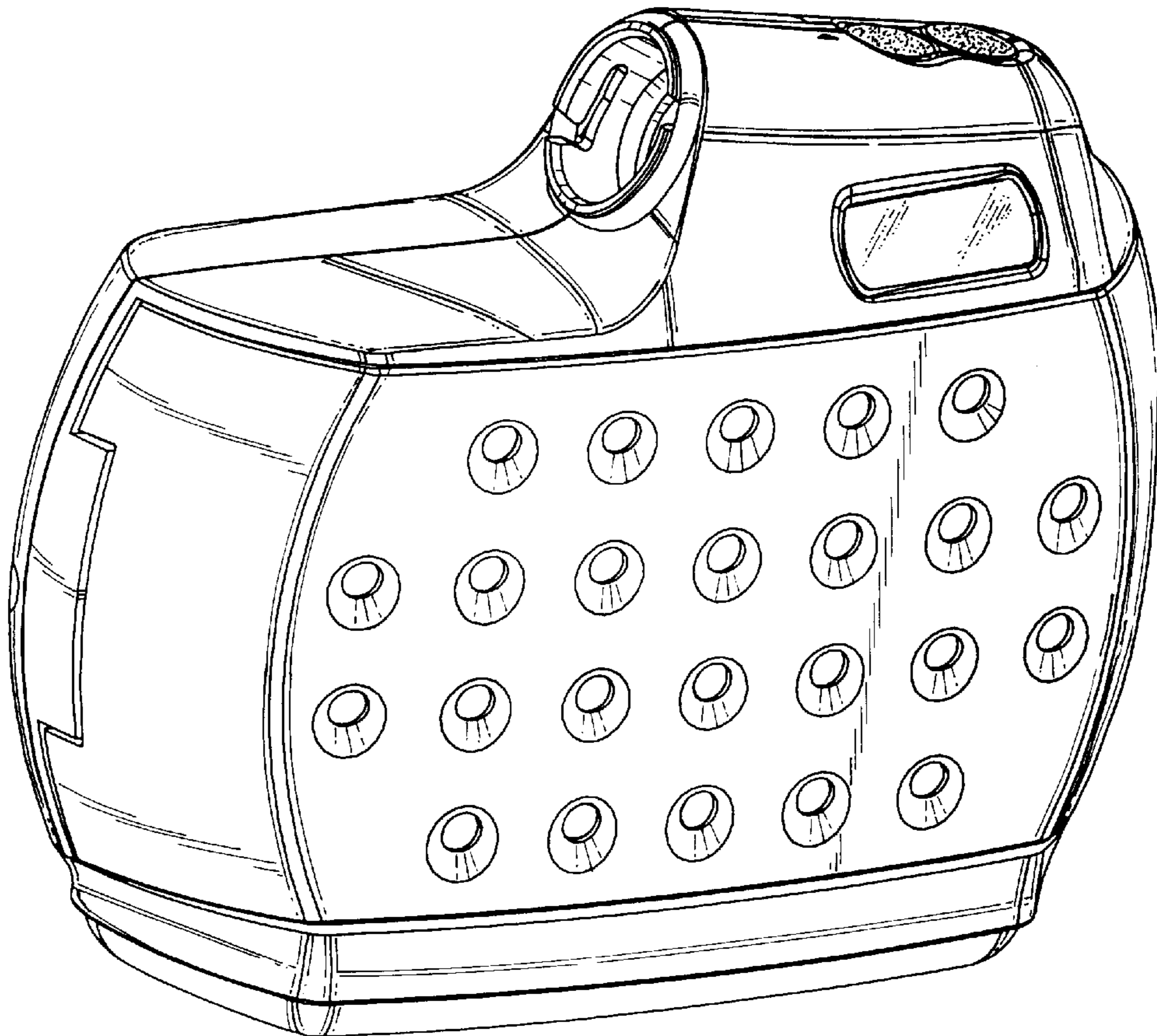
FIG. 1 is a front perspective view of a blower filter unit, showing our new design;  
FIG. 2 is a rear perspective thereof;  
FIG. 3 is a front elevational view thereof;  
FIG. 4 is a rear elevational view thereof;  
FIG. 5 is a bottom plan view thereof;  
FIG. 6 is a top plan view thereof;  
FIG. 7 is a right side elevational view thereof; and,  
FIG. 8 is a left side elevational view thereof.

(56) **References Cited**

**U.S. PATENT DOCUMENTS**

D. 392,378 \* 3/1998 Sato ..... D23/355

**1 Claim, 4 Drawing Sheets**



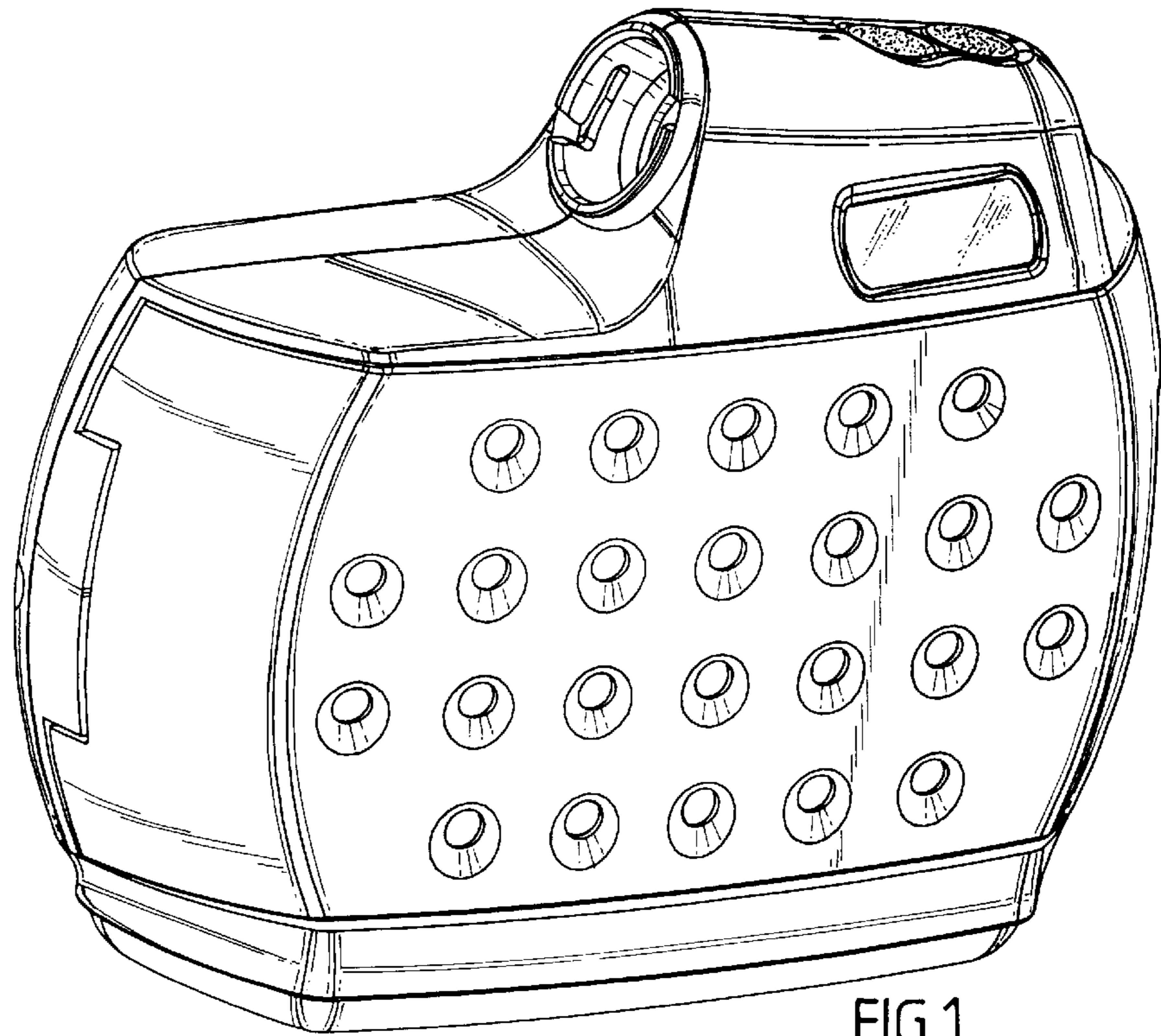


FIG. 1

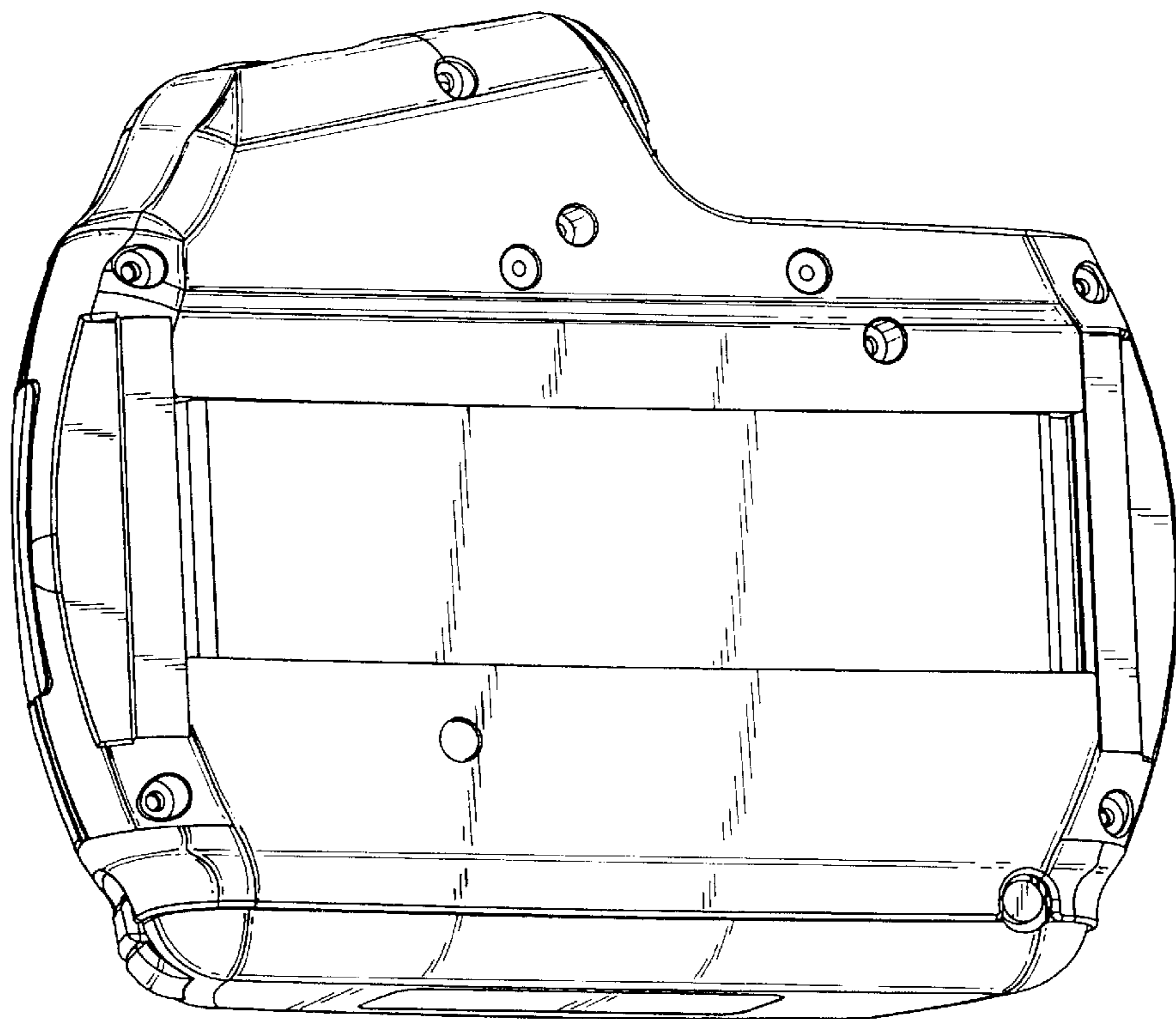


FIG. 2

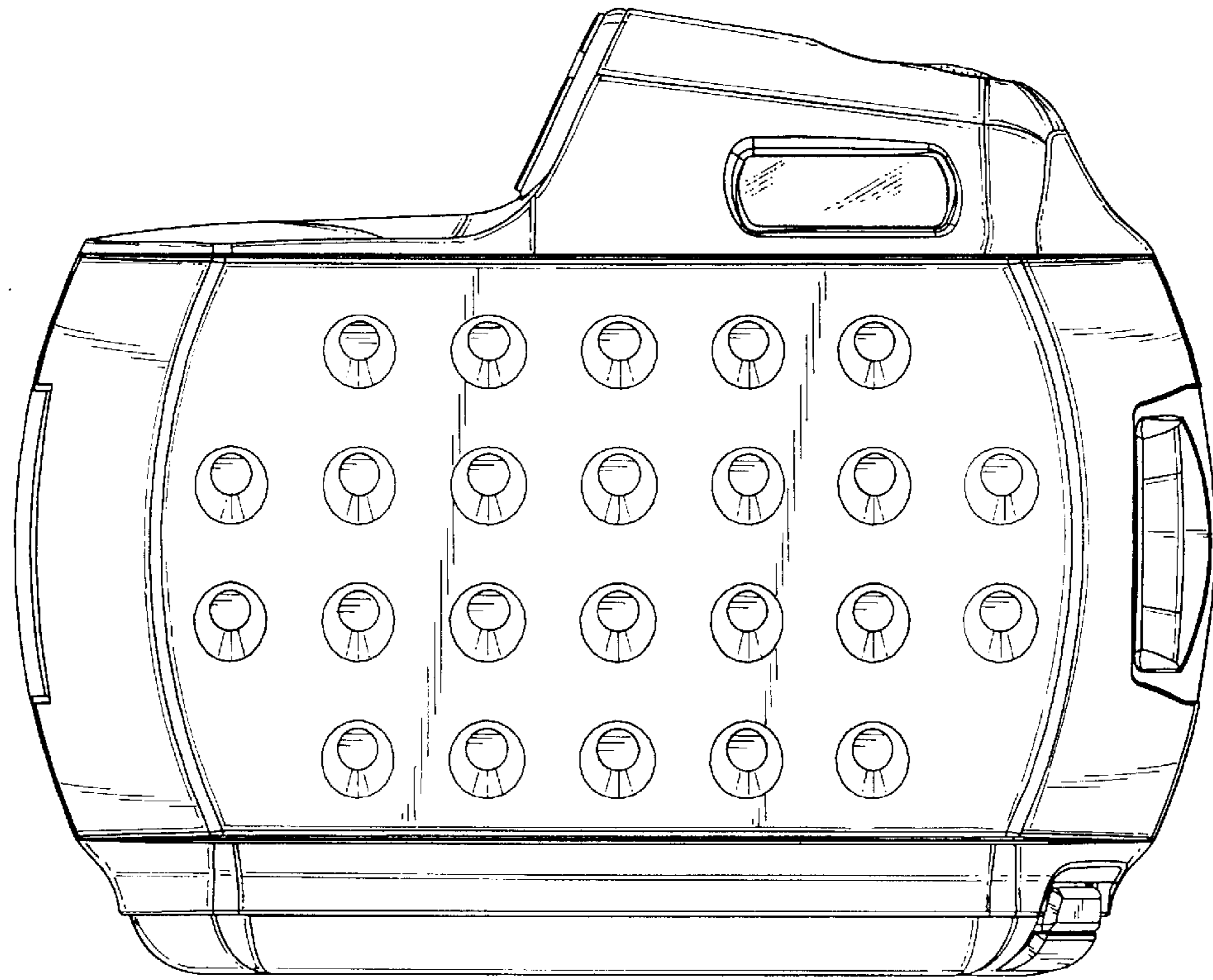


FIG. 3

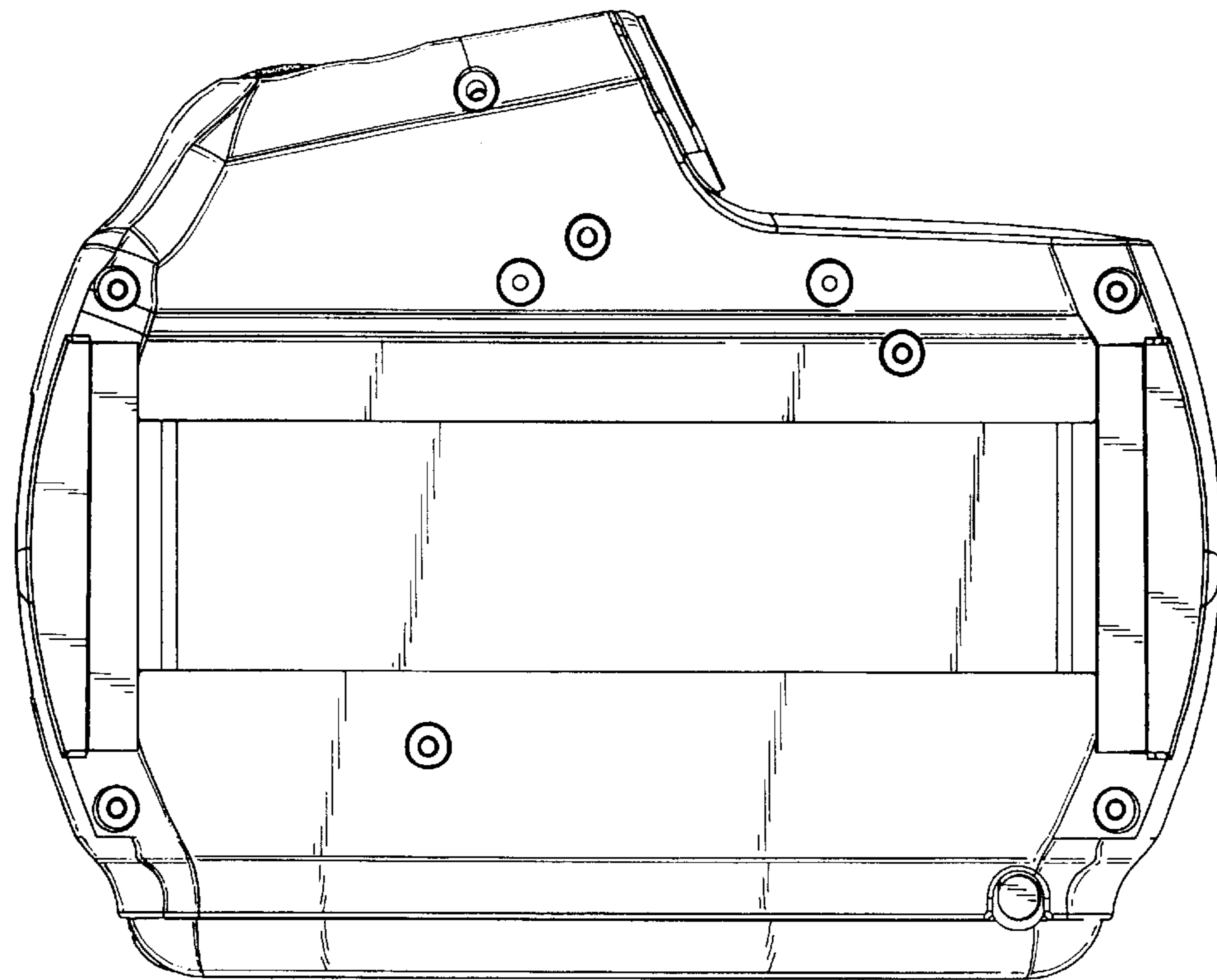


FIG. 4

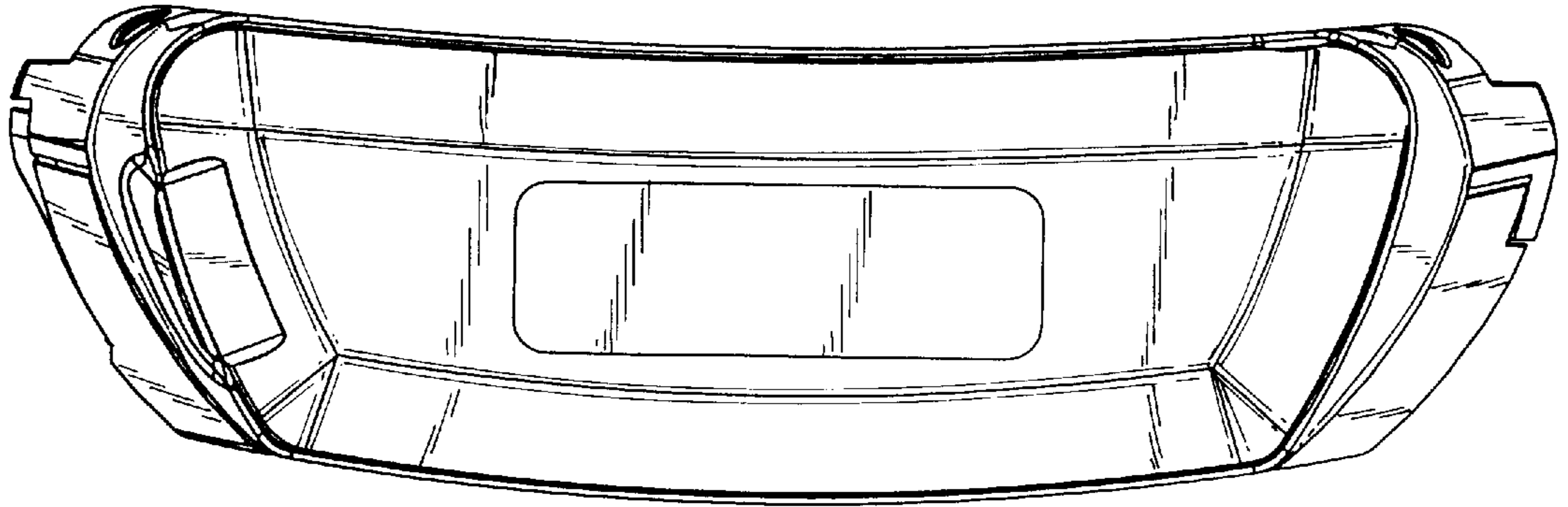


FIG. 5

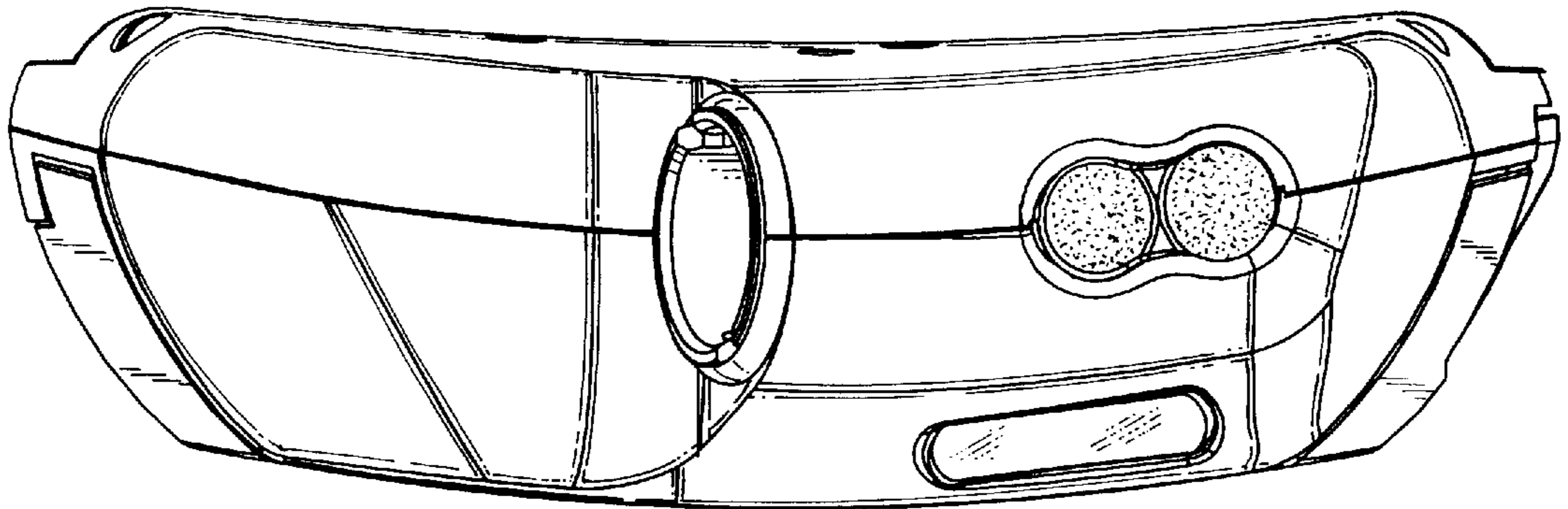


FIG. 6

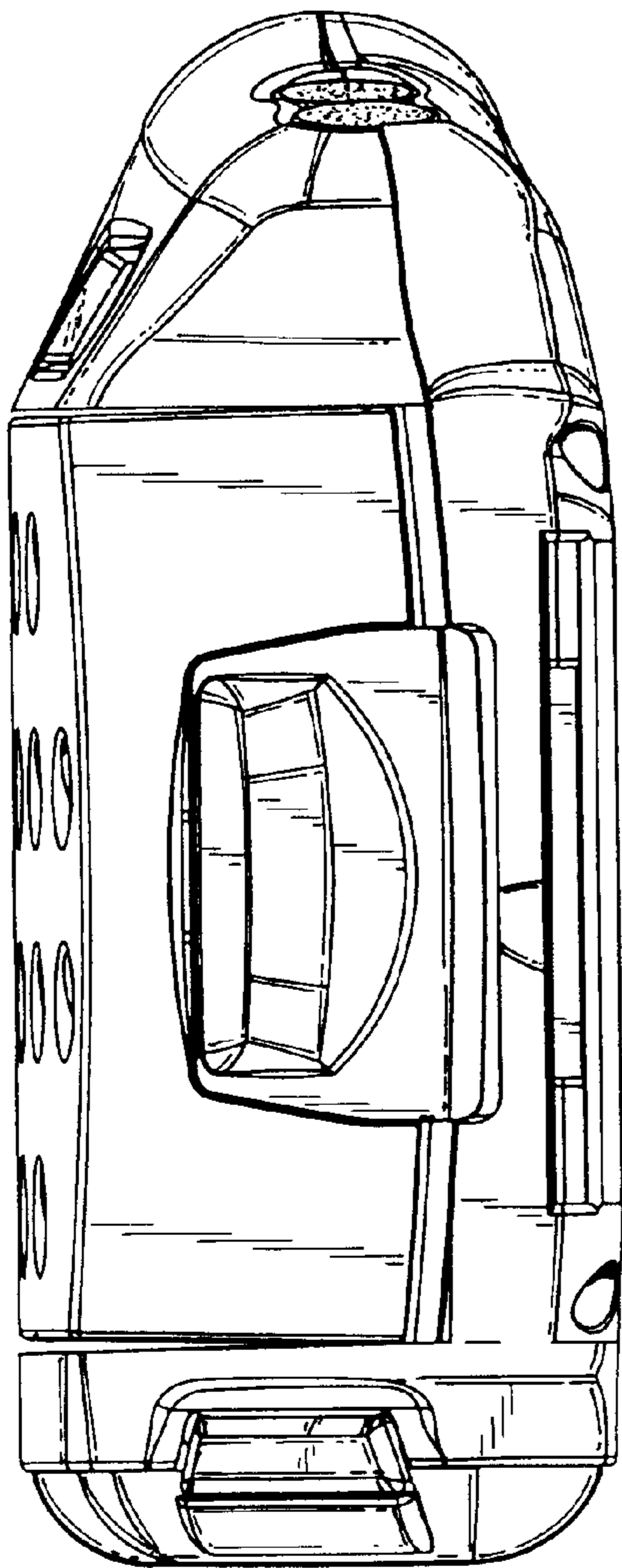


FIG.7

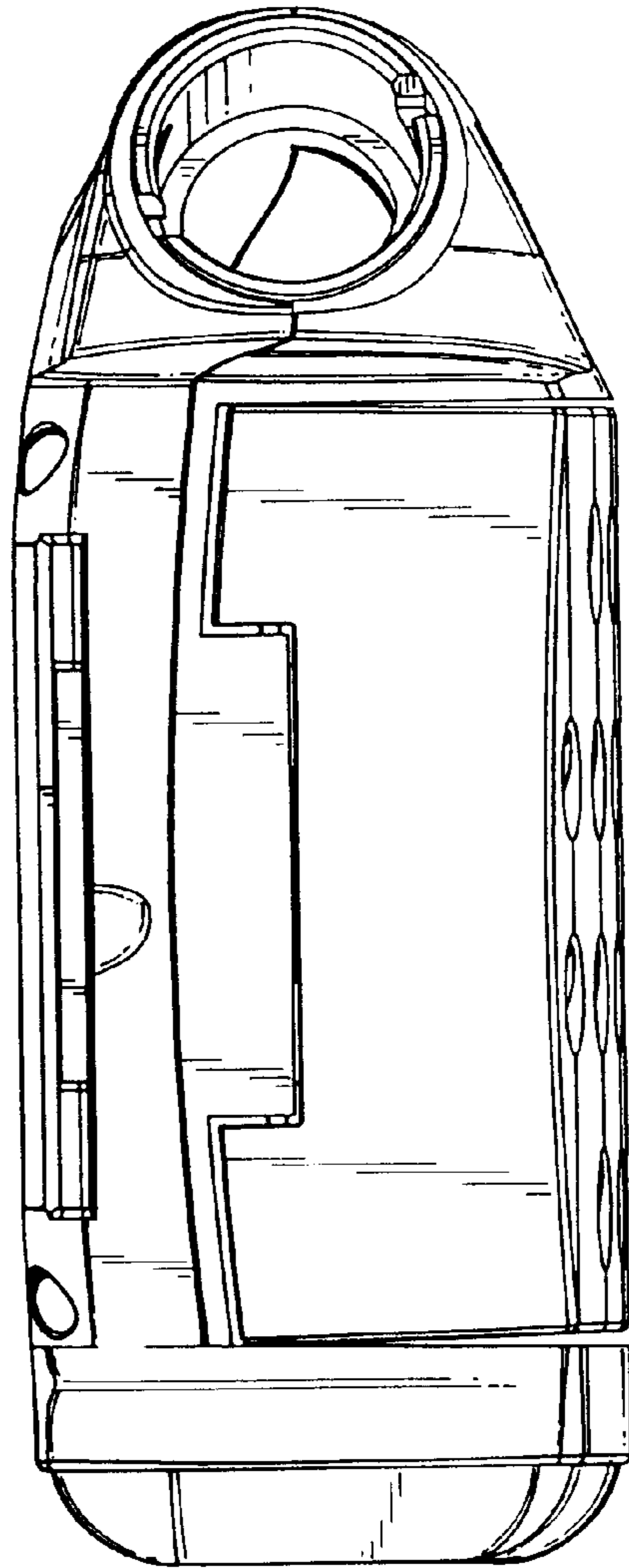


FIG.8