



US00D449097B1

(12) **United States Design Patent**
Smith et al.

(10) **Patent No.:** **US D449,097 S**

(45) **Date of Patent:** **** Oct. 9, 2001**

(54) **AIR CLEANER**

D. 462,293 6/2000 Tounsi et al. .
2,638,644 5/1953 Rauhut .
3,948,445 4/1976 Andeweg .

(75) Inventors: **Michael E. Smith**, Glen Allen, VA (US); **Anthony V. Cruz**, Westlake Village, CA (US); **Lawrence M. Pillion**, Glen Allen, VA (US)

(List continued on next page.)

(73) Assignee: **Hamilton Beach/Proctor-Silex, Inc.**, Glen Allen, VA (US)

OTHER PUBLICATIONS

National Geographic catalog; (approximately Jan. 2001).

(**) Term: **14 Years**

Primary Examiner—Lisa Lichtenstein
(74) *Attorney, Agent, or Firm*—Akin, Gump, Strauss, Hauer & Feld, L.L.P.

(21) Appl. No.: **29/122,711**

(57) **CLAIM**

(22) Filed: **May 1, 2000**

The ornamental design for an air cleaner, as shown and described.

(51) **LOC (7) Cl.** **23-04**

(52) **U.S. Cl.** **D23/364**

(58) **Field of Search** D23/364, 355;
46/97

DESCRIPTION

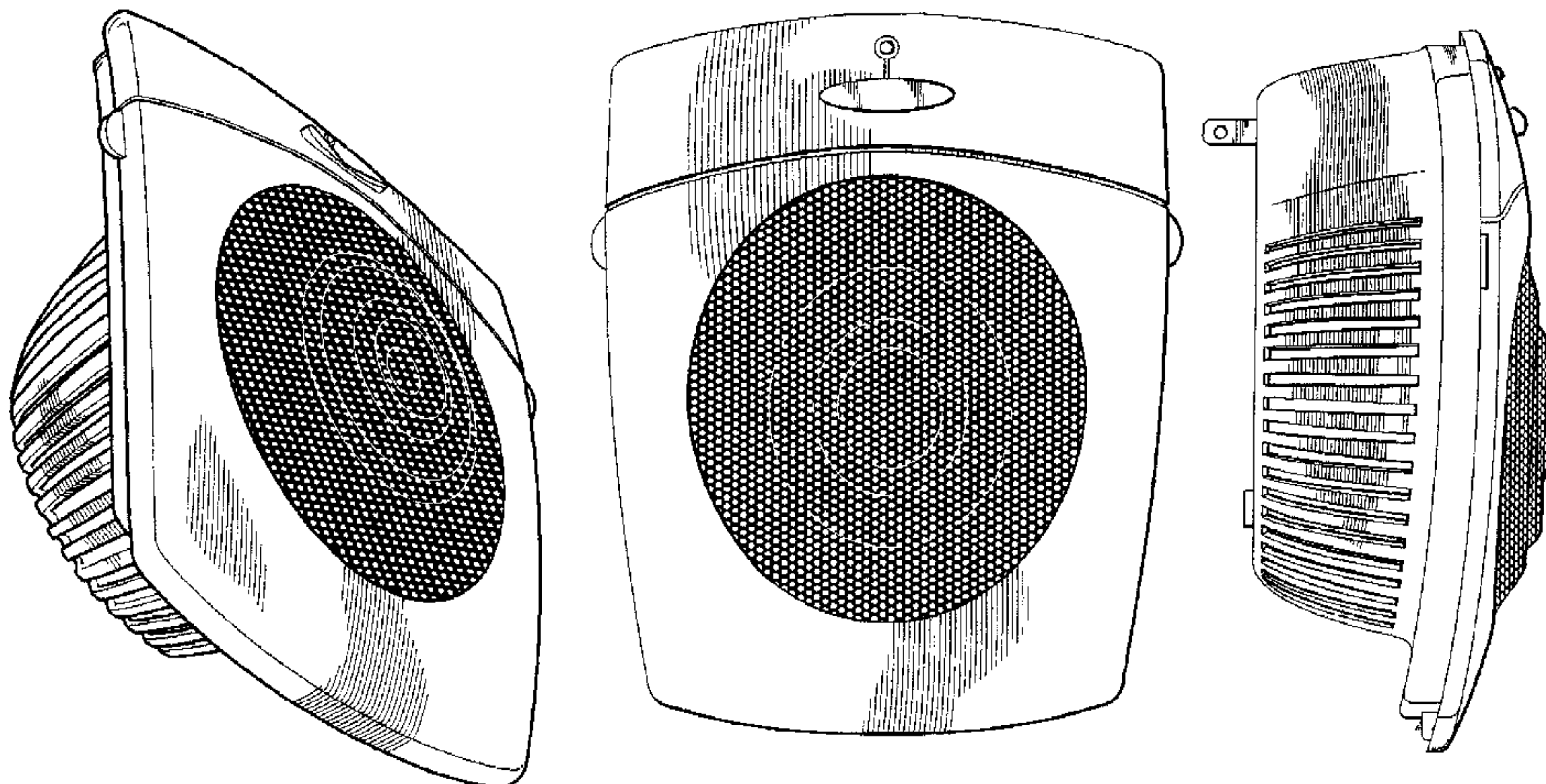
(56) **References Cited**

U.S. PATENT DOCUMENTS

D. 189,420	12/1960	Diehl .	
D. 216,794	3/1970	Patrick .	
D. 234,606	3/1975	Gamble .	
D. 291,484	* 8/1987	Stutzer et al.	D23/364
D. 345,010	3/1994	Aronsson et al. .	
D. 357,330	4/1995	Wong et al. .	
D. 360,028	7/1995	Matsuda .	
D. 374,713	* 10/1996	Ford et al.	D23/264
D. 377,213	1/1997	Wang .	
D. 379,220	5/1997	Ellwood .	
D. 390,940	2/1998	Chen .	
D. 394,100	5/1998	Promseeda .	
D. 395,146	6/1998	Miller et al. .	
D. 396,275	7/1998	Pearson .	
D. 399,943	10/1998	Ko .	
D. 400,661	11/1998	Ko .	
D. 400,662	11/1998	Davis .	
D. 409,741	5/1999	Yuen-Ming .	
D. 411,001	6/1999	Pinchuk .	
D. 416,318	11/1999	Sato .	
D. 416,319	11/1999	Rollins .	
D. 416,613	11/1999	Bellil et al. .	
D. 434,483	* 11/2000	Pinchuk	D23/364

FIG. 1 is a perspective view of the air cleaner.
 FIG. 2 is a front view of the air cleaner shown in FIG. 1.
 FIG. 3 is a rear view of the air cleaner shown in FIG. 1.
 FIG. 4 is a left side view of the air cleaner shown in FIG. 1.
 FIG. 5 is a right side view of the air cleaner shown in FIG. 1.
 FIG. 6 is a top plan view of the air cleaner shown in FIG. 1.
 FIG. 7 is a bottom plan view of the air cleaner shown in FIG. 1.
 FIG. 8 is a perspective view of the air cleaner showing a second embodiment of our new design.
 FIG. 9 is a front view of the air cleaner shown in FIG. 8.
 FIG. 10 is a rear view of the air cleaner shown in FIG. 8.
 FIG. 11 is a left side view of the air cleaner shown in FIG. 8.
 FIG. 12 is a right view of the air cleaner shown in FIG. 8.
 FIG. 13 is a top plan view of the air cleaner shown in FIG. 8; and,
 FIG. 14 is a bottom plan view of the air cleaner shown in FIG. 8.
 The broken line showing of environmental structure in FIGS. 8-14 is for illustrative purposes only and forms no part of the claimed design.

1 Claim, 12 Drawing Sheets



U.S. PATENT DOCUMENTS

			5,378,254	1/1995	Maly et al. .
			5,407,469	4/1995	Sun .
4,004,361	1/1977	McVeety .	5,547,615	8/1996	Jané et al. .
4,040,568	8/1977	Mason, Jr.et al. .	5,601,636	2/1997	Glucksman .
4,118,191	10/1978	Böhnensieker .	5,611,967	3/1997	Jane et al. .
4,210,429	7/1980	Golstein .	5,735,918	4/1998	Barradas .
4,214,146	7/1980	Schimanski .	5,772,732	6/1998	James et al. .
4,666,638	5/1987	Baker et al. .	5,783,117	7/1998	Byassee et al. .
4,737,173	4/1988	Kudirka et al. .	5,792,230	8/1998	Moore et al. .
4,743,406	5/1988	Steiner et al. .	5,800,583	9/1998	Pippel et al. .
4,839,014	6/1989	Park et al. .	5,800,741	9/1998	Glenn et al. .
4,849,862	7/1989	Diskin et al. .	5,811,004	9/1998	Robertson .
4,917,862	4/1990	Kraw et al. .	5,837,207	11/1998	Summers .
4,931,224	6/1990	Holzner, Sr. .	5,879,435	3/1999	Satyapal et al. .
5,014,338	5/1991	Glucksman .	5,925,320	7/1999	Jones .
5,111,529	5/1992	Glucksman .	5,945,038	8/1999	Anderson .
5,139,546	8/1992	Novobilski .	5,948,355	9/1999	Fujishima et al. .
5,210,818	5/1993	Wang .	5,997,619	12/1999	Knuth et al. .
5,240,478	8/1993	Messina .	6,017,375	1/2000	Duell et al. .
5,250,232	10/1993	Pepper et al. .	6,036,757	3/2000	Gatchell et al. .
5,266,004	11/1993	Tsumurai etal. .			
5,330,722	7/1994	Pick et al. .			

* cited by examiner

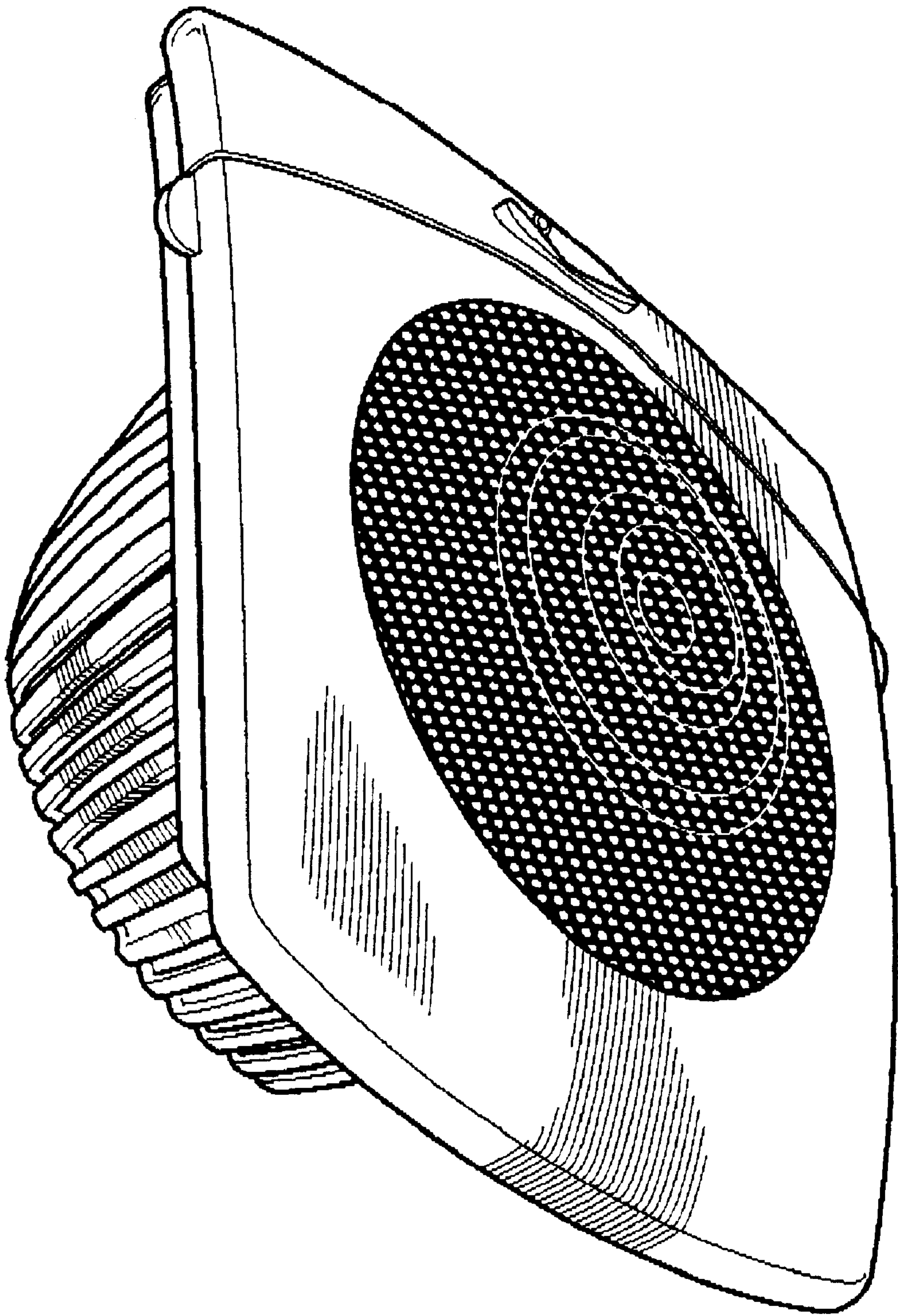


Fig. 1

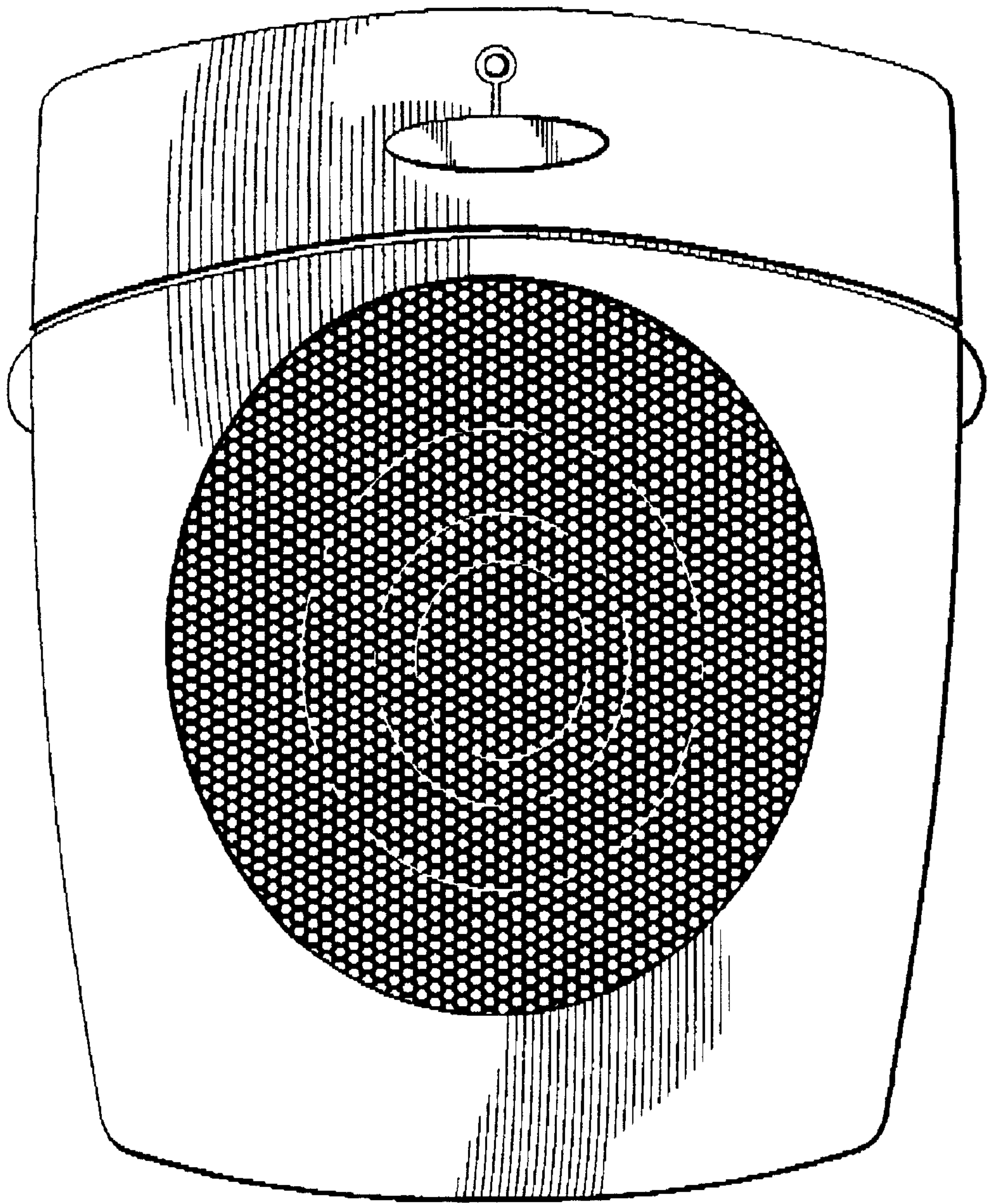


Fig. 2

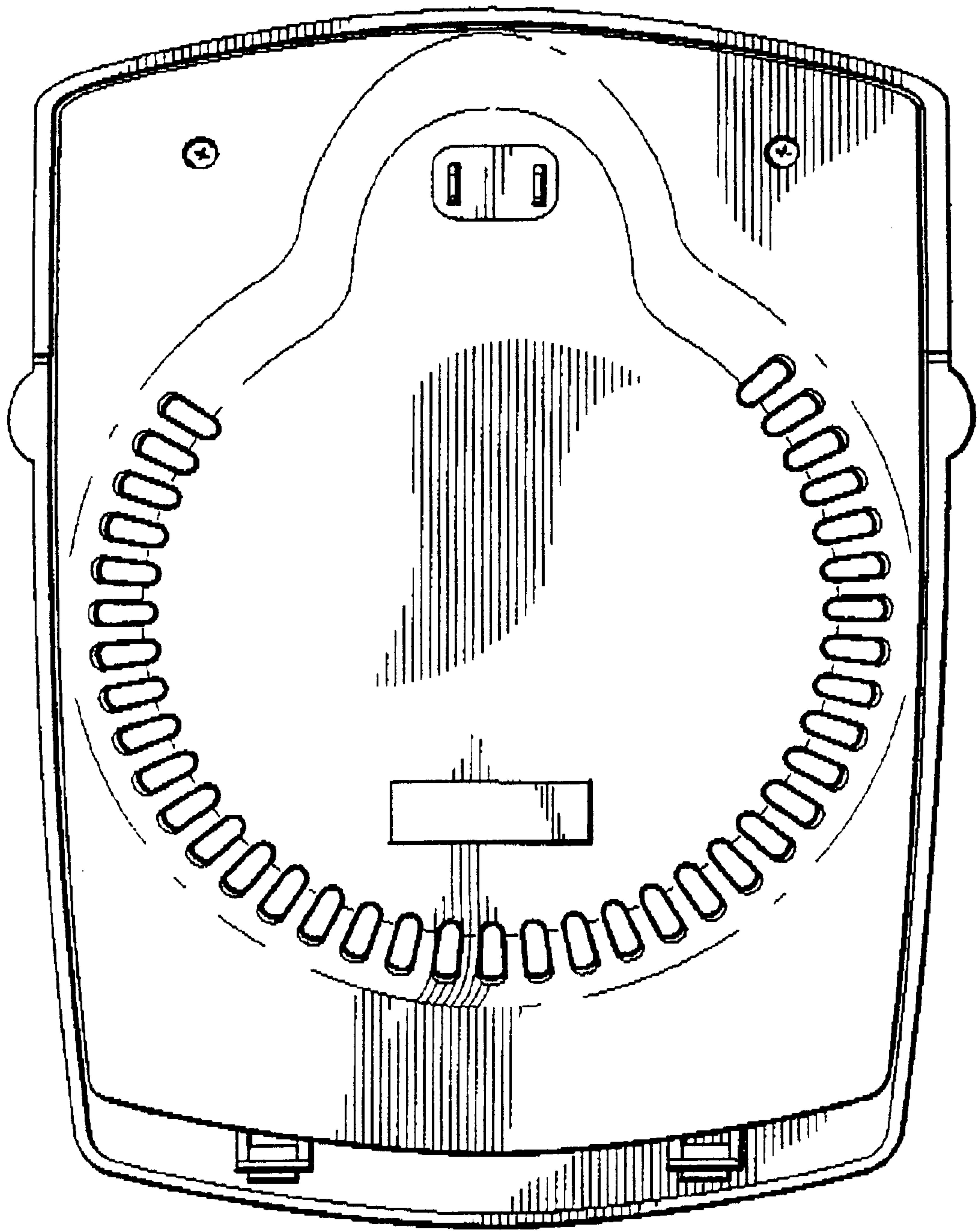


Fig. 3

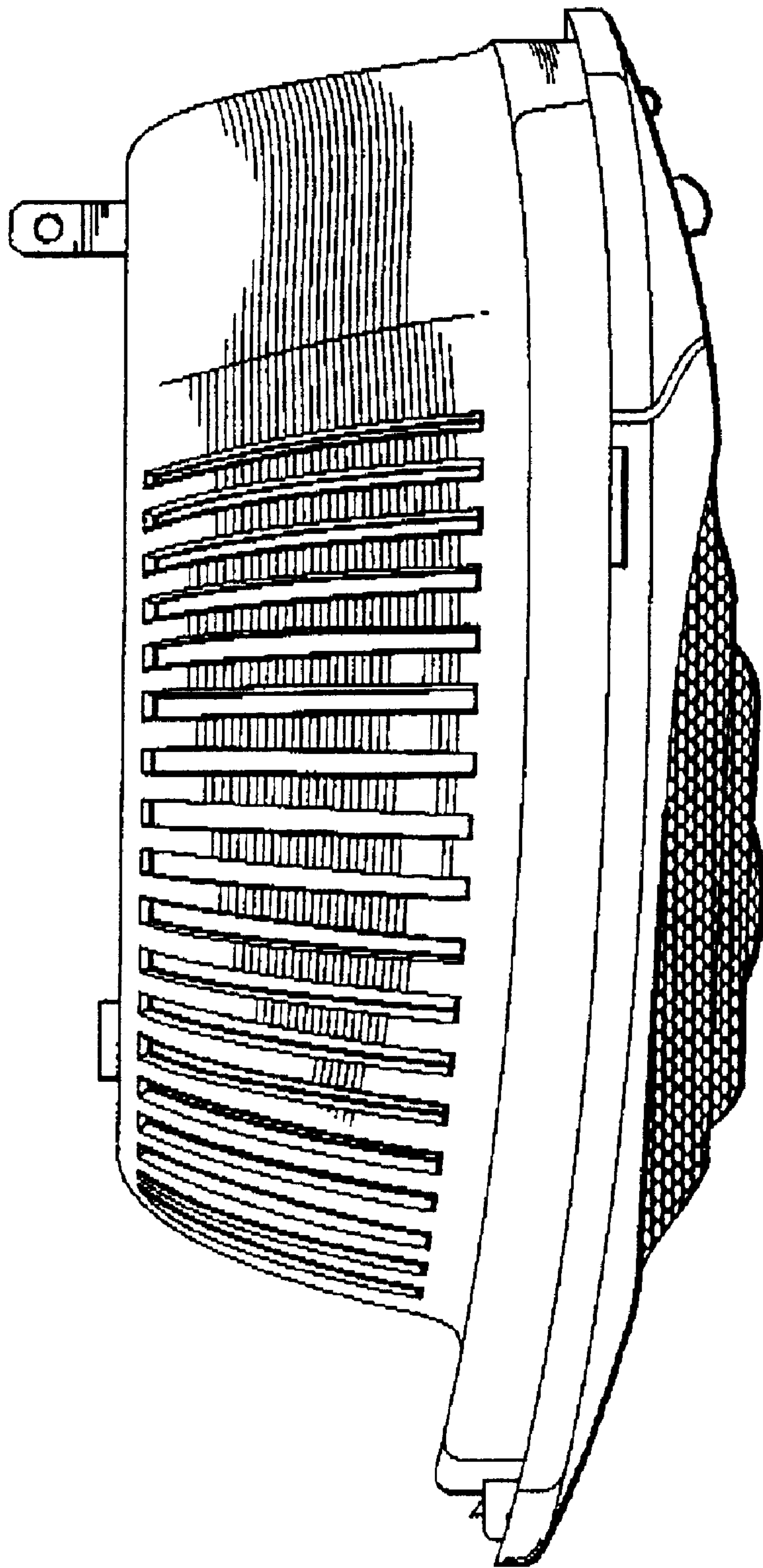


Fig. 4

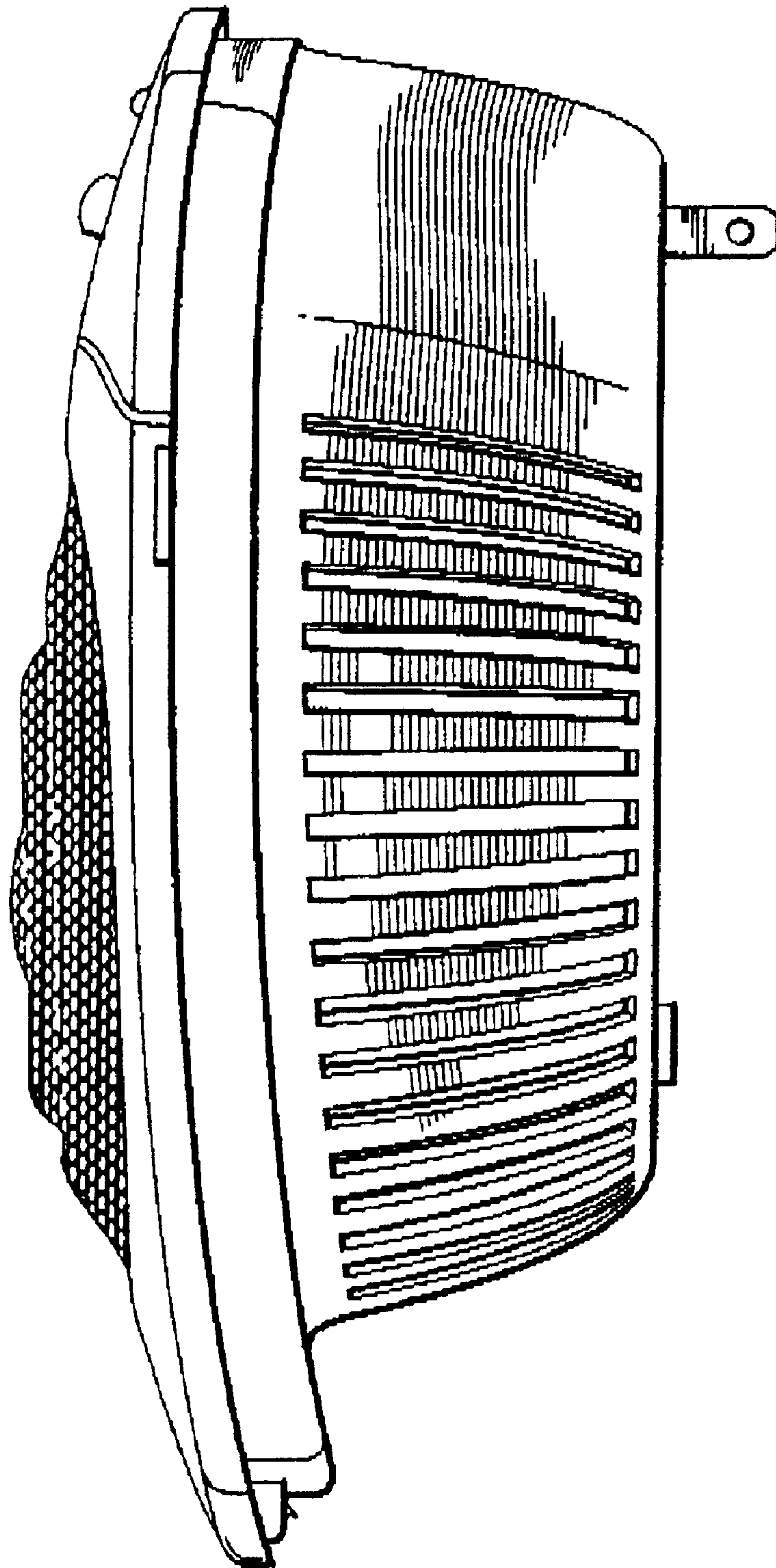


Fig. 5

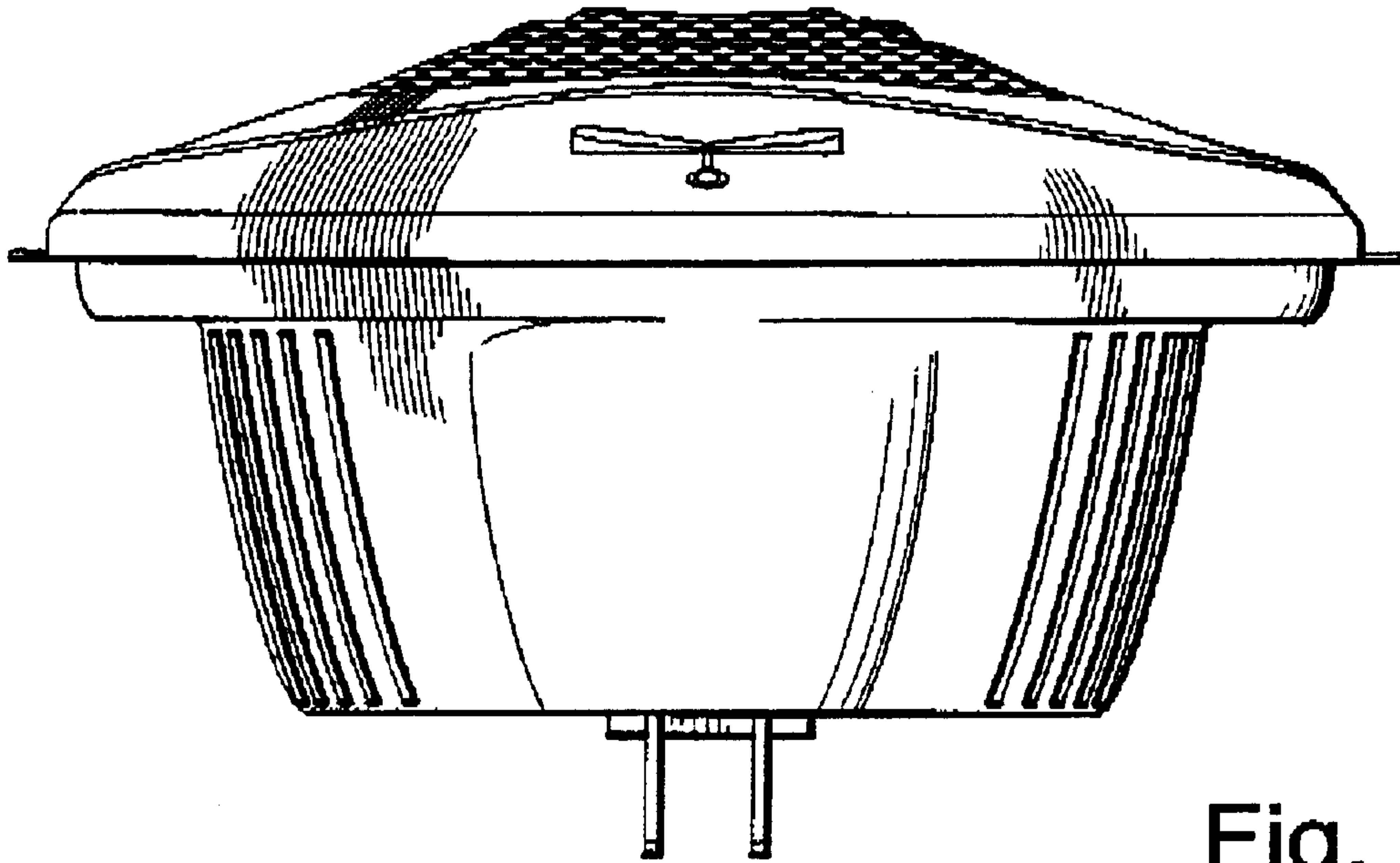


Fig. 6

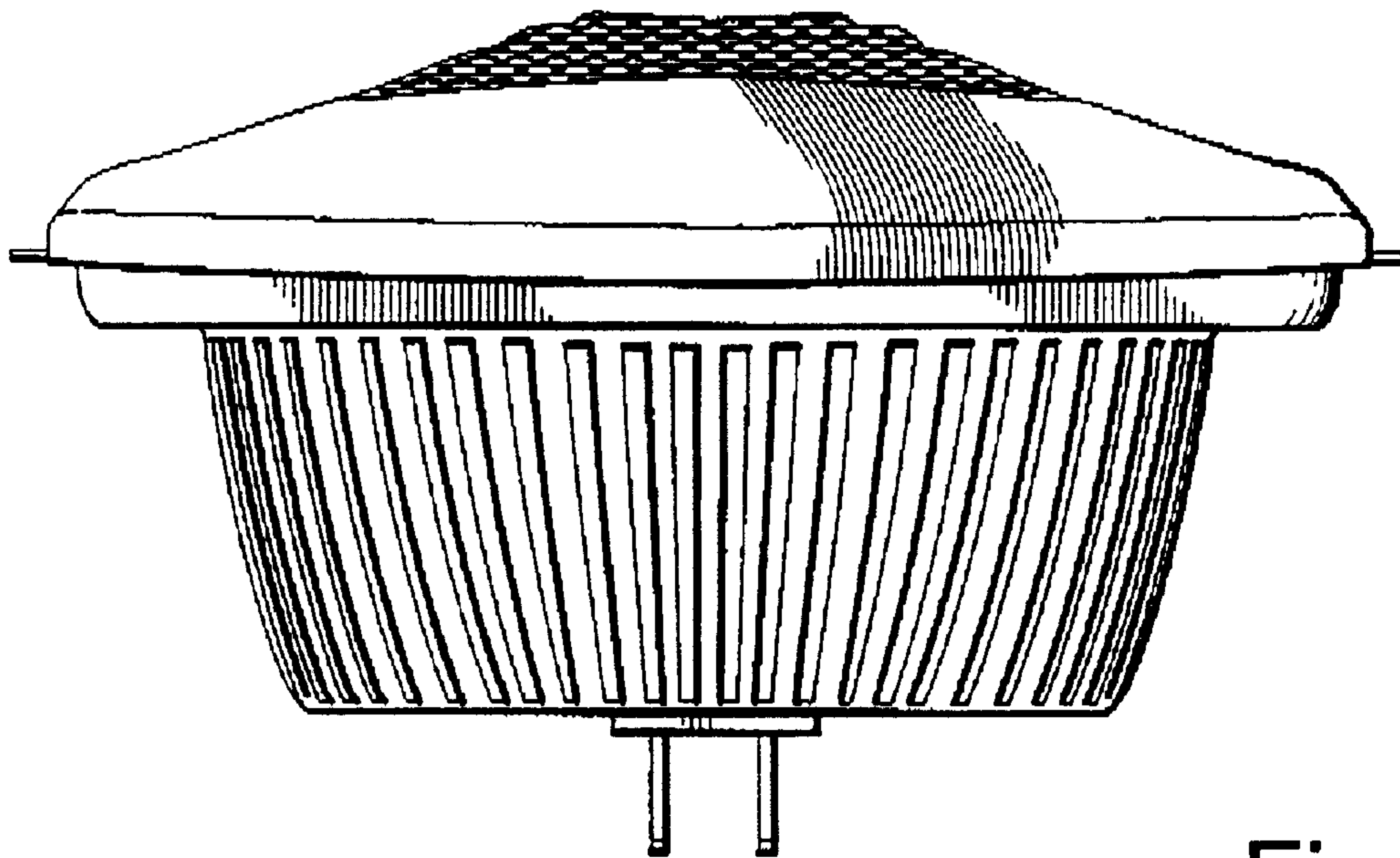


Fig. 7

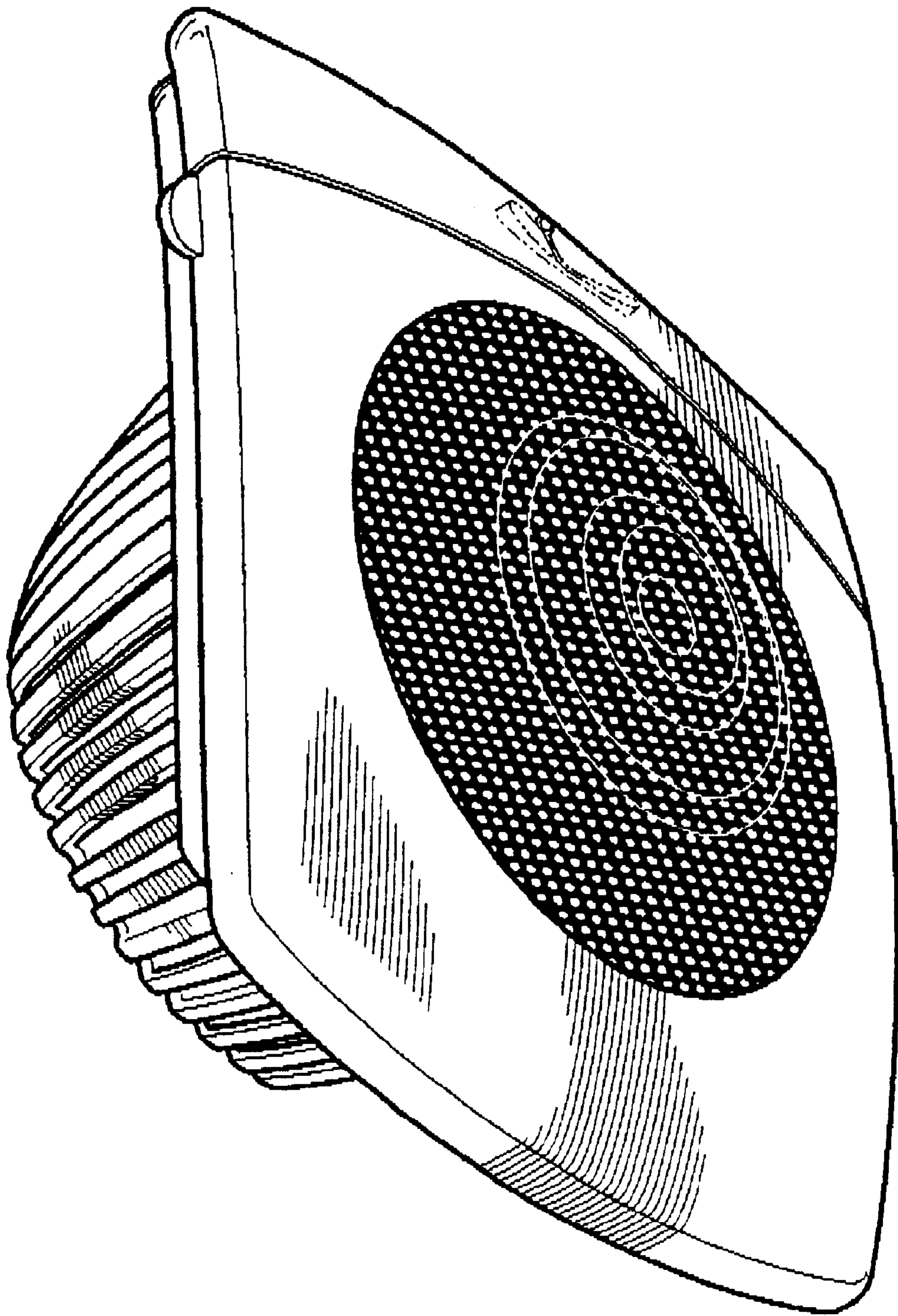


Fig. 8

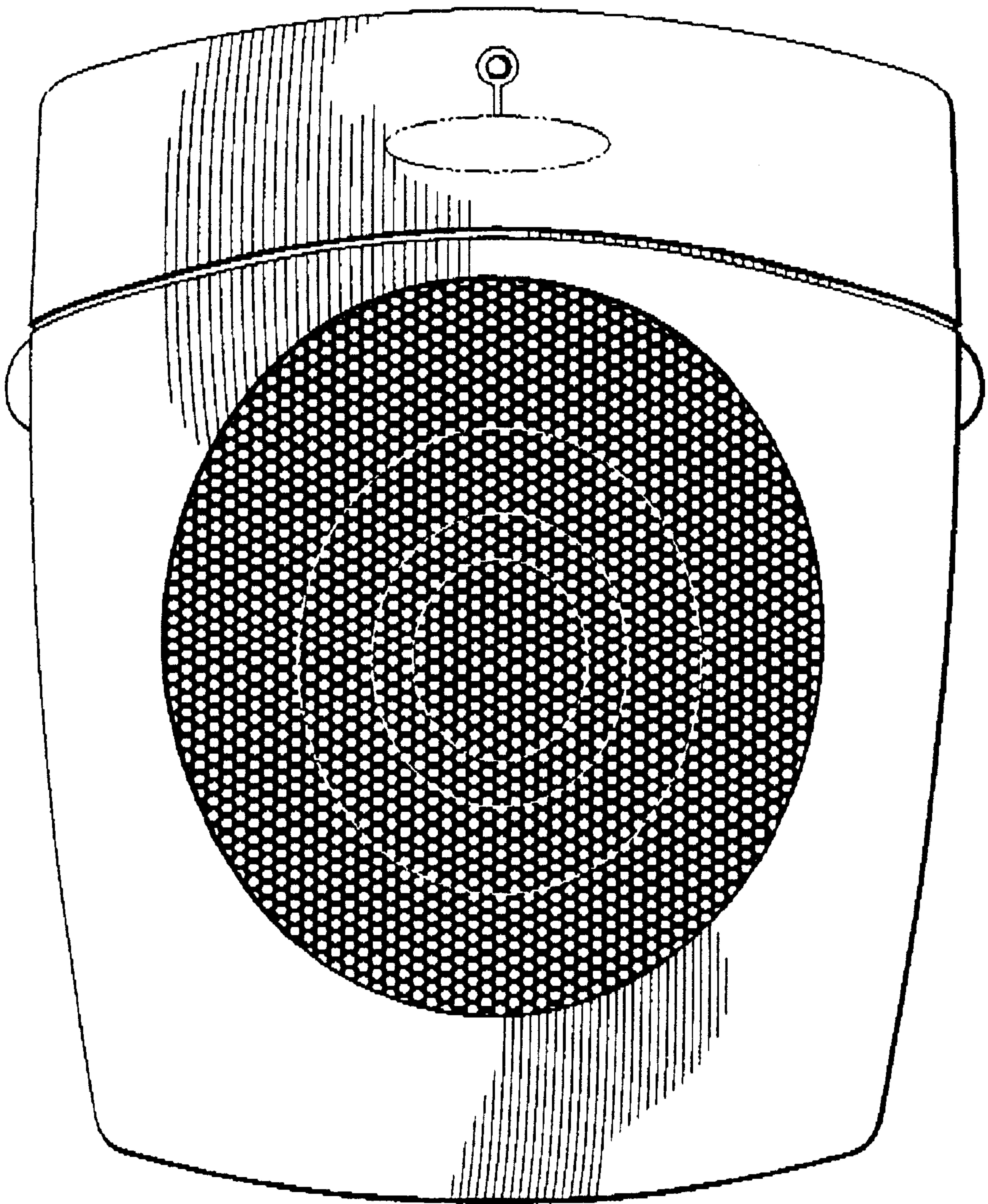


Fig. 9

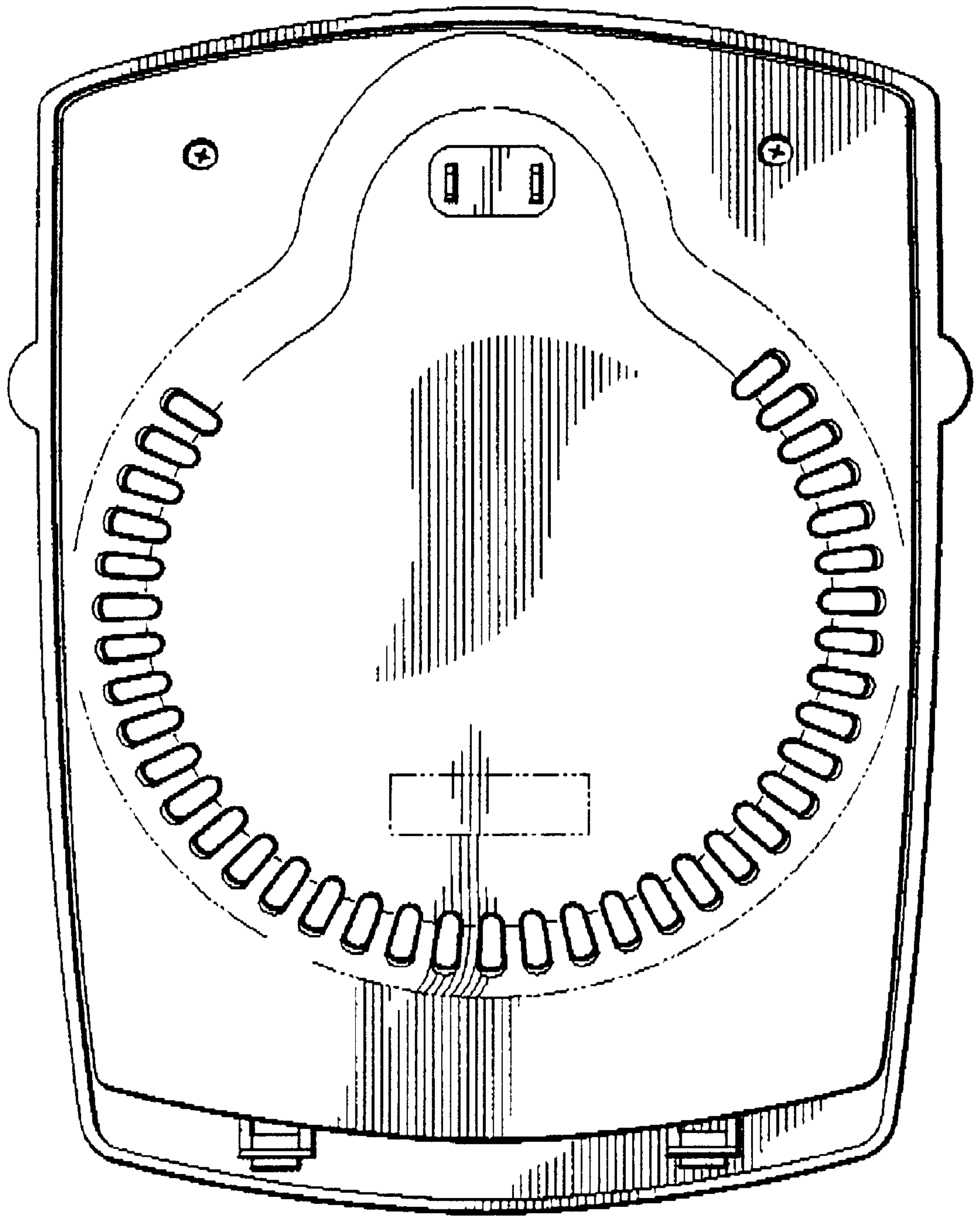


Fig. 10

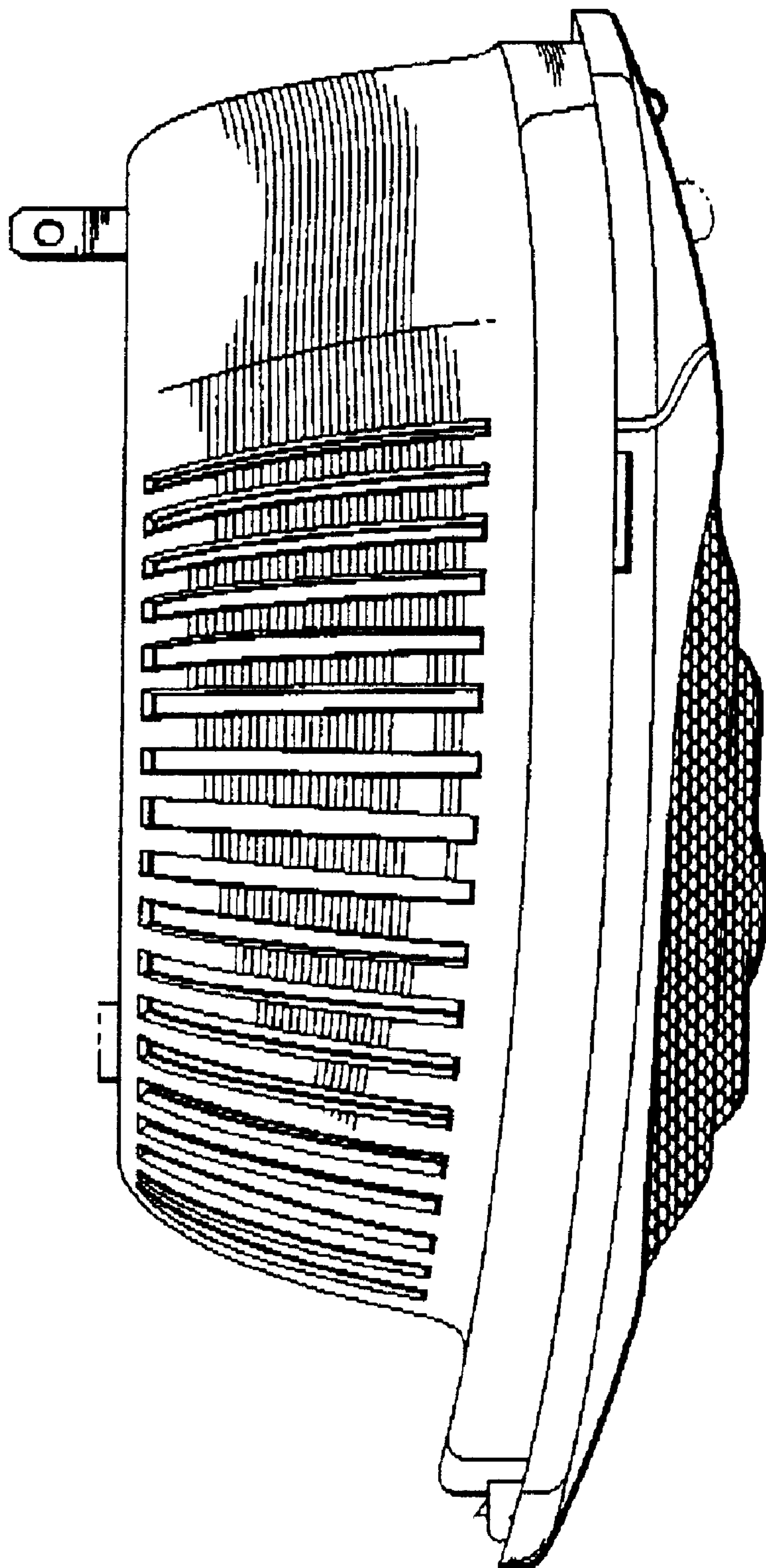


Fig. 11

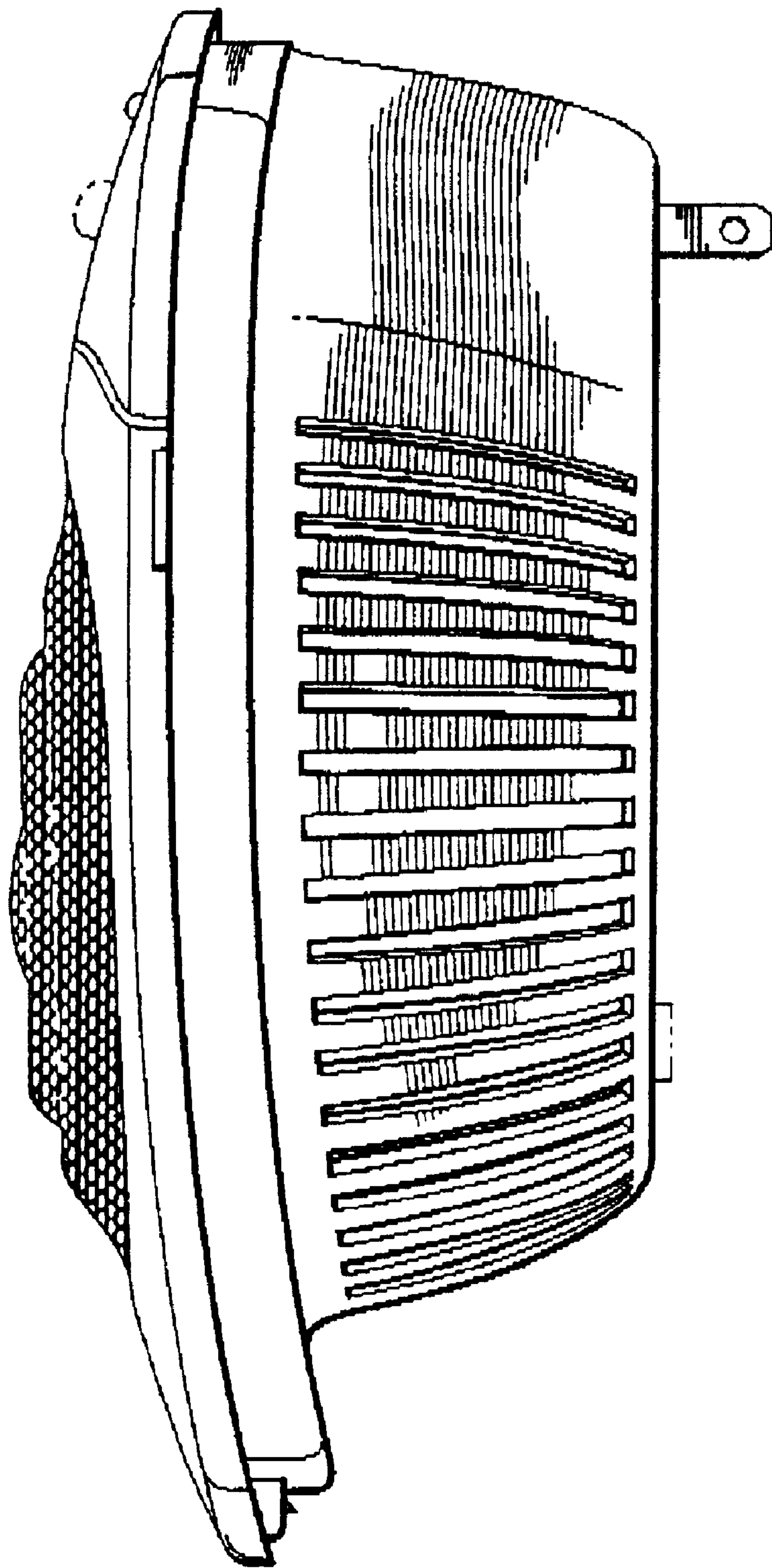


Fig. 12

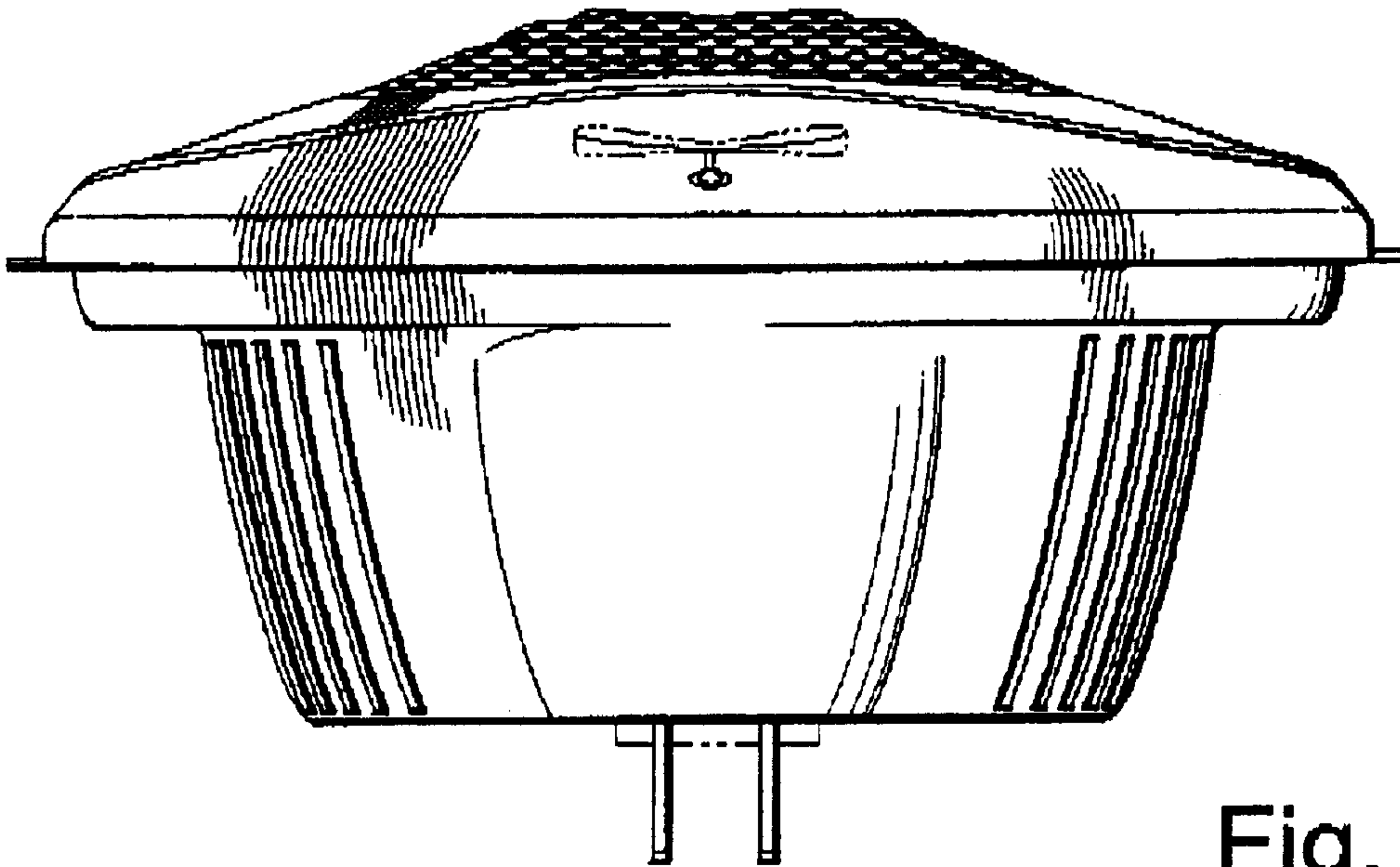


Fig. 13

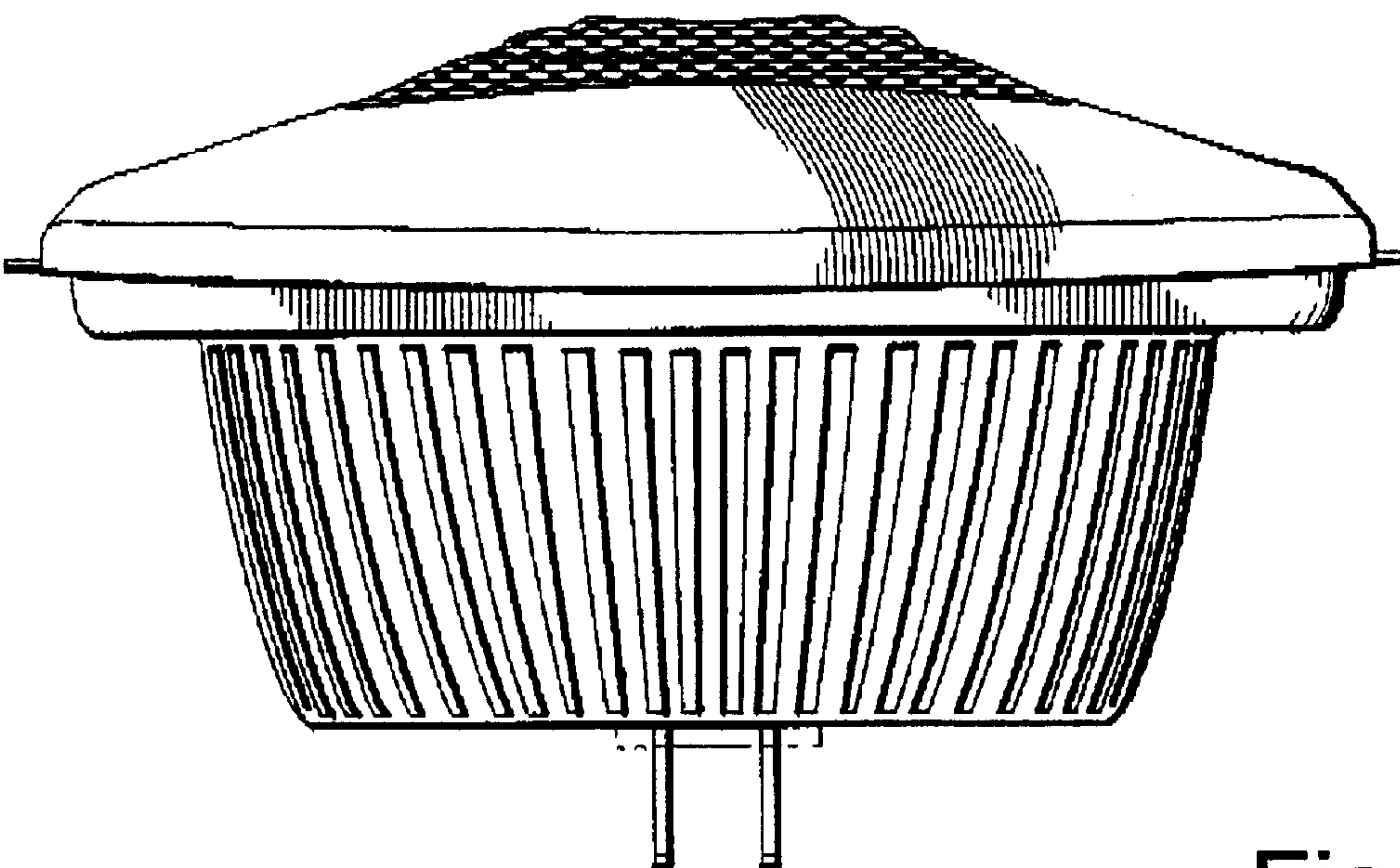


Fig. 14