



US00D449095B1

(12) **United States Design Patent**
Yanagida et al.

(10) **Patent No.:** **US D449,095 S**

(45) **Date of Patent:** **** Oct. 9, 2001**

(54) **AIR CONDITIONER**

(75) **Inventors:** **Makoto Yanagida; Tomohiro Nagayama**, both of Kawasaki (JP)

(73) **Assignee:** **Fujitsu General Limited**, Kanagawa-ken (JP)

(**) **Term:** **14 Years**

(21) **Appl. No.:** **29/137,561**

(22) **Filed:** **Feb. 22, 2001**

(30) **Foreign Application Priority Data**

Aug. 22, 2000 (JP) 12-023136

(51) **LOC (7) Cl.** **23-04**

(52) **U.S. Cl.** **D23/351**

(58) **Field of Search** D23/333, 351-354, D23/387, 388; 312/236; 62/259.1, 262, 263; 454/201-204, 349-351, 354, 330-332

(56) **References Cited**

U.S. PATENT DOCUMENTS

D. 327,736 * 7/1992 Shimano et al. D23/351

D. 402,020 * 12/1998 Aihara et al. D23/351

D. 420,116 * 2/2000 Kobayashi D23/351

D. 437,398 * 2/2001 Kobayashi D23/351

D. 439,317 * 3/2001 Kobayashi D23/351

* cited by examiner

Primary Examiner—B. J. Bullock

(74) *Attorney, Agent, or Firm*—Sughrue, Mion, Zinn, Macpeak & Seas, PLLC

(57) **CLAIM**

The ornamental design for an air conditioner, as shown and described.

DESCRIPTION

FIG. 1 is a perspective view of the front, bottom and one end of an air conditioner showing our new design;

FIG. 2 is a front elevational view thereof;

FIG. 3 is a top plan view thereof;

FIG. 4 is a bottom plan view thereof;

FIG. 5 is an end elevational view of said one end thereof, the opposite end being a mirror image thereof;

FIG. 6 is a rear elevational view thereof; and,

FIG. 7 is a perspective view similar to FIG. 1 with the air control slats in the open position.

1 Claim, 6 Drawing Sheets

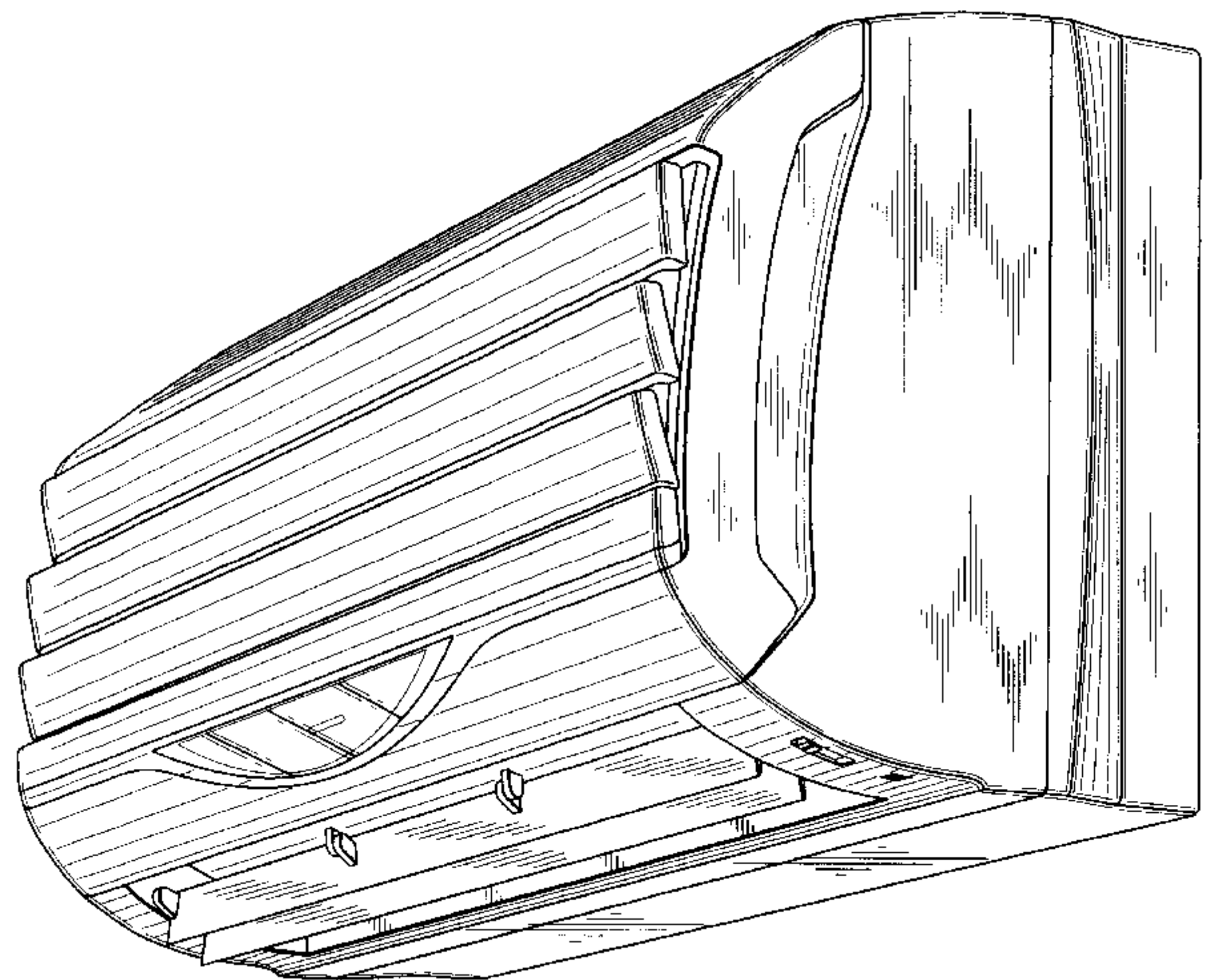
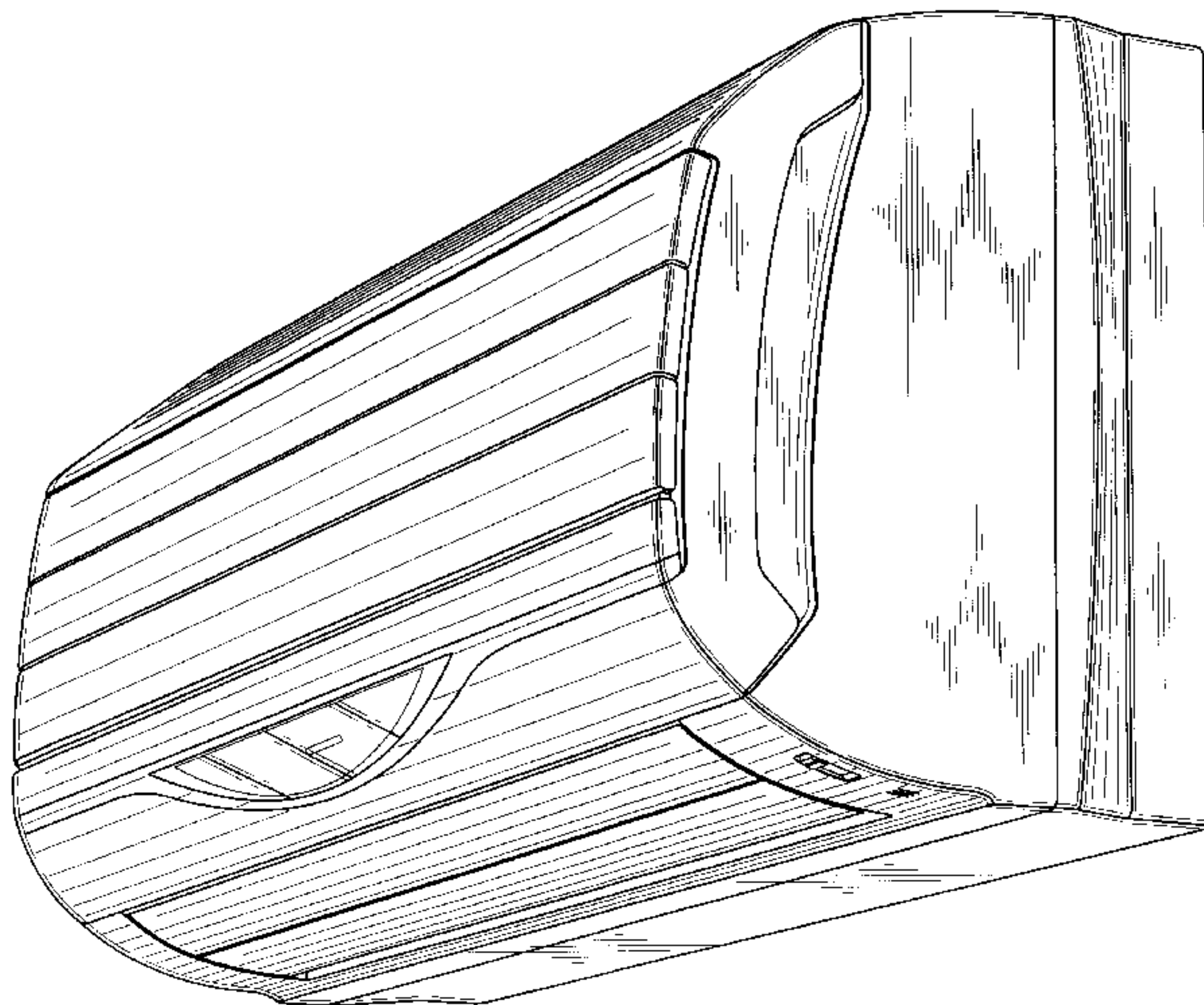


FIG. 1

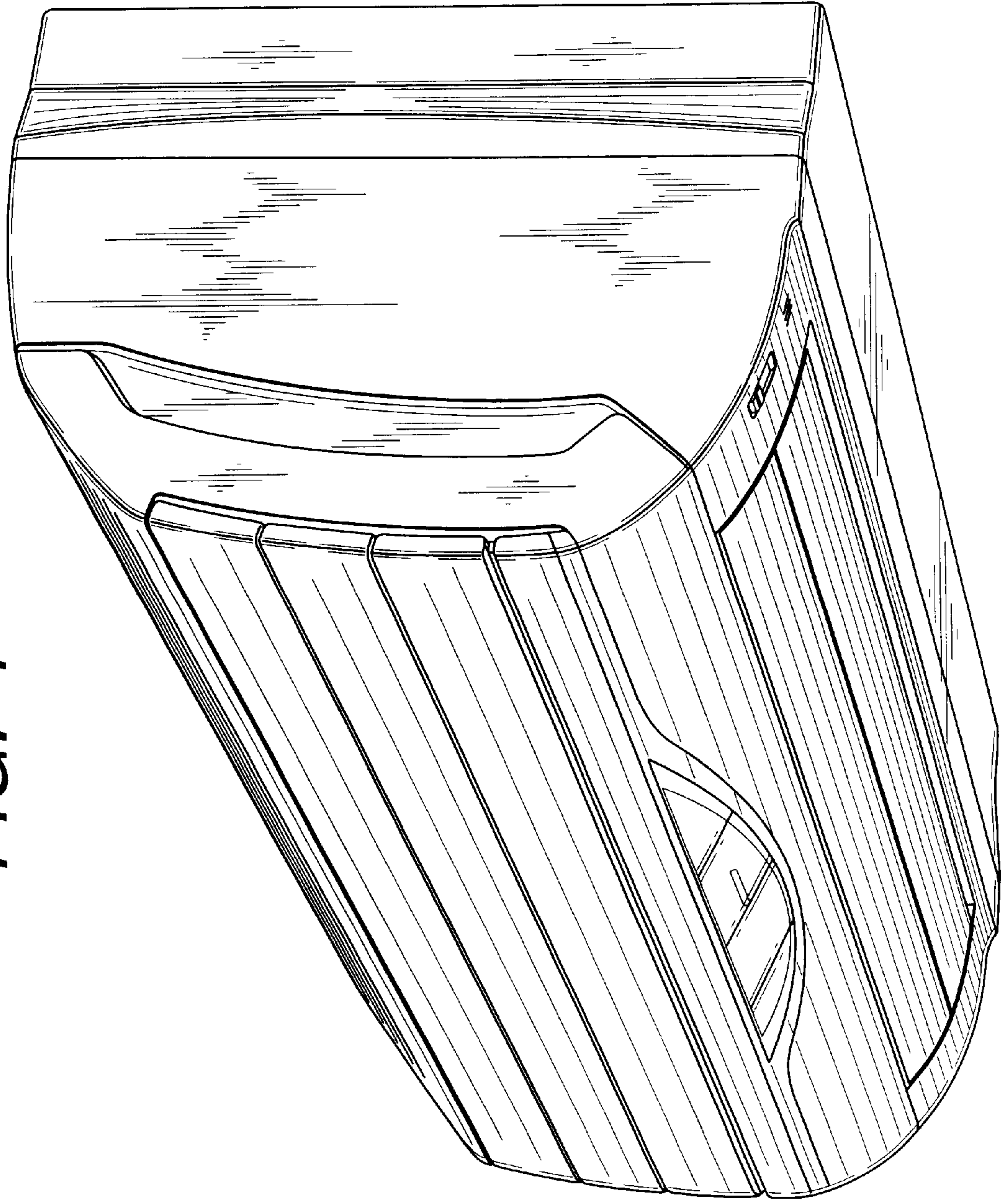


FIG. 2

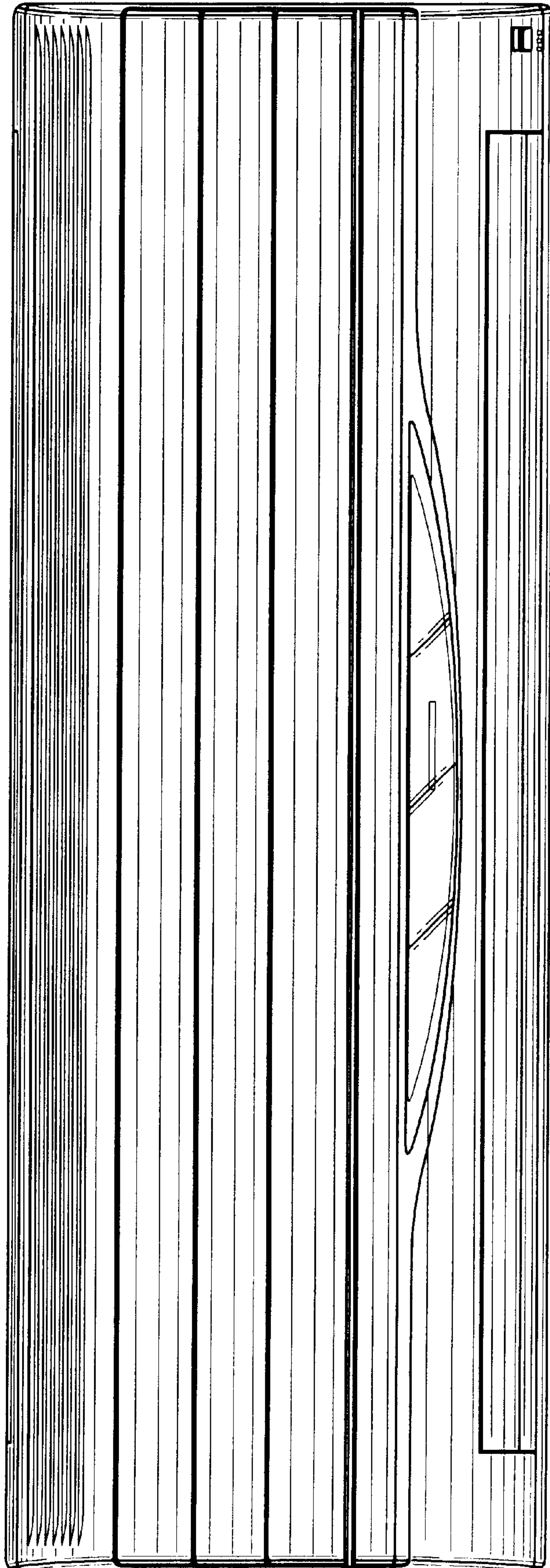


FIG. 3

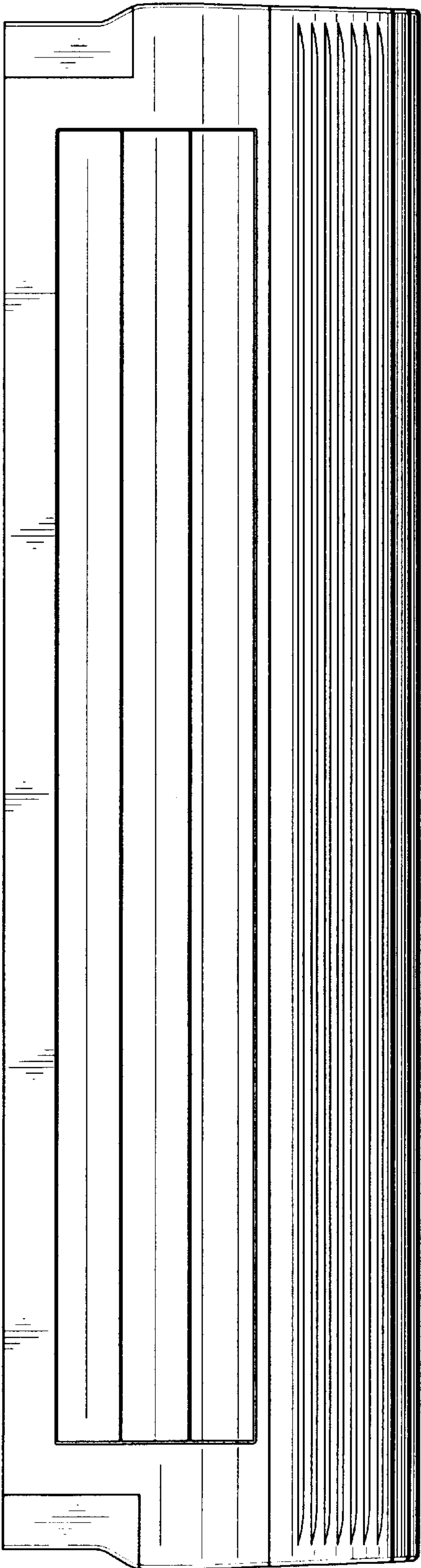


FIG. 4

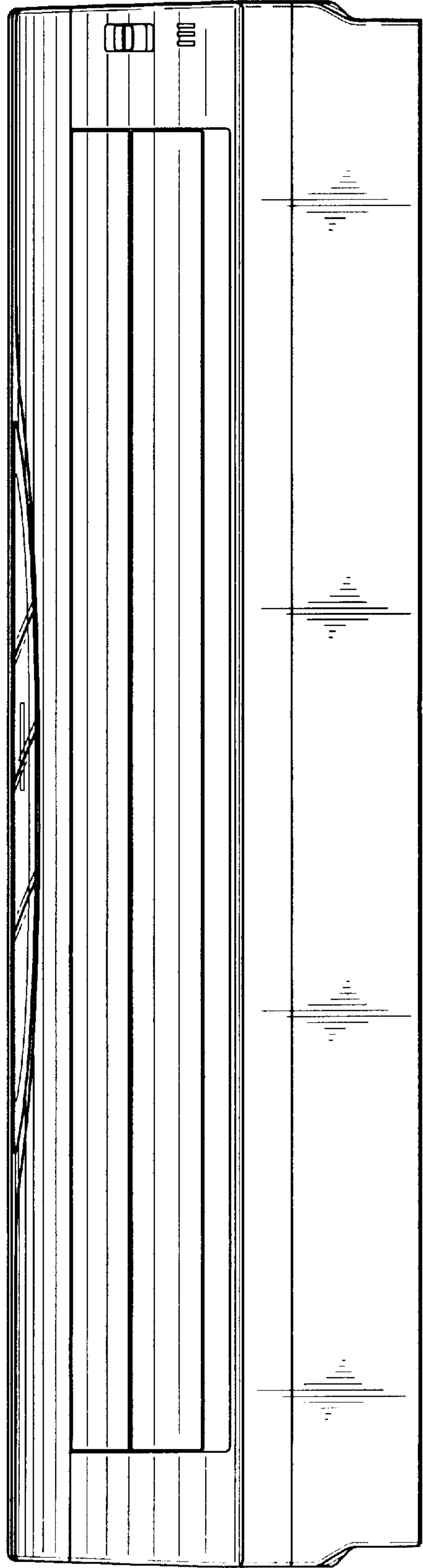


FIG. 5

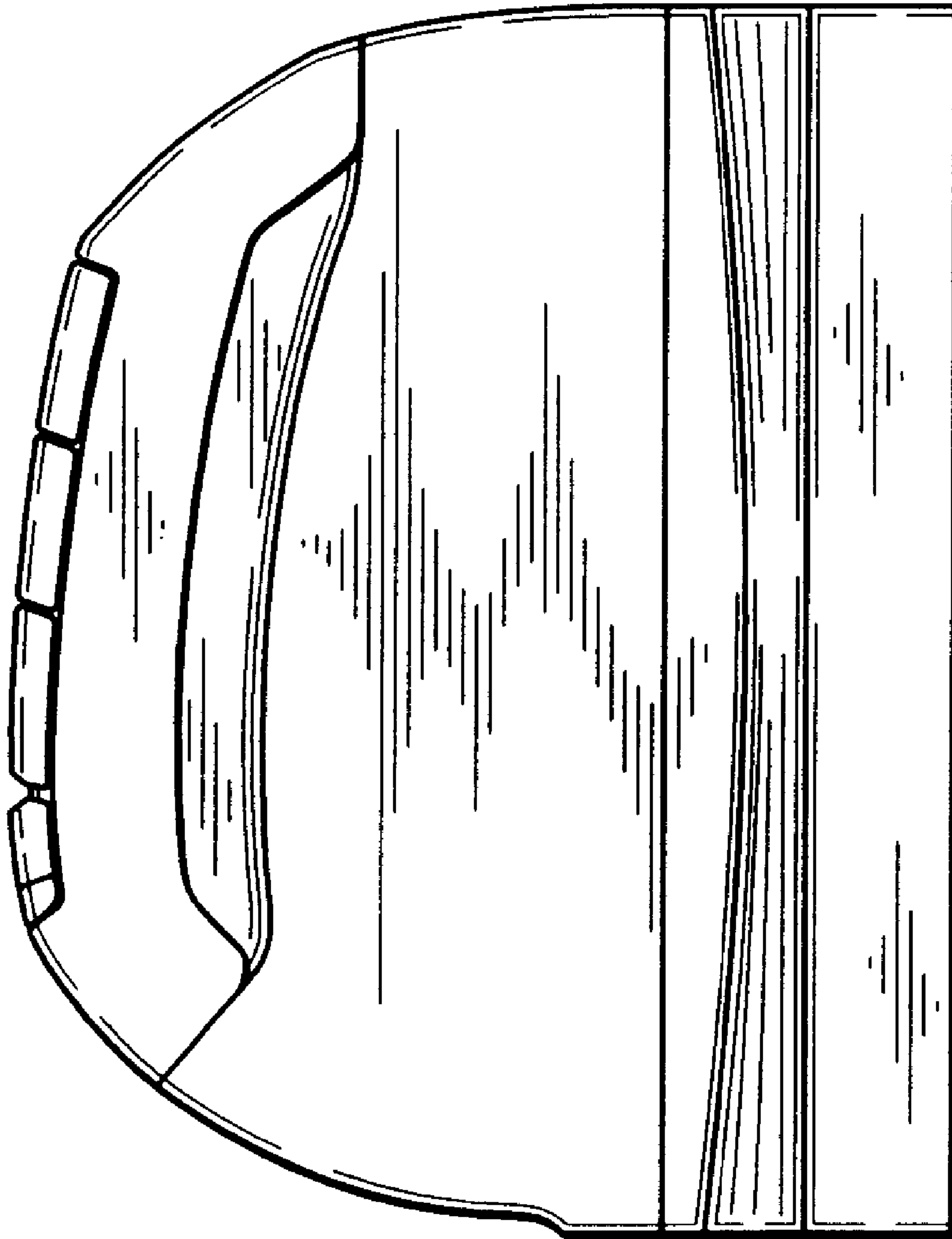


FIG. 6

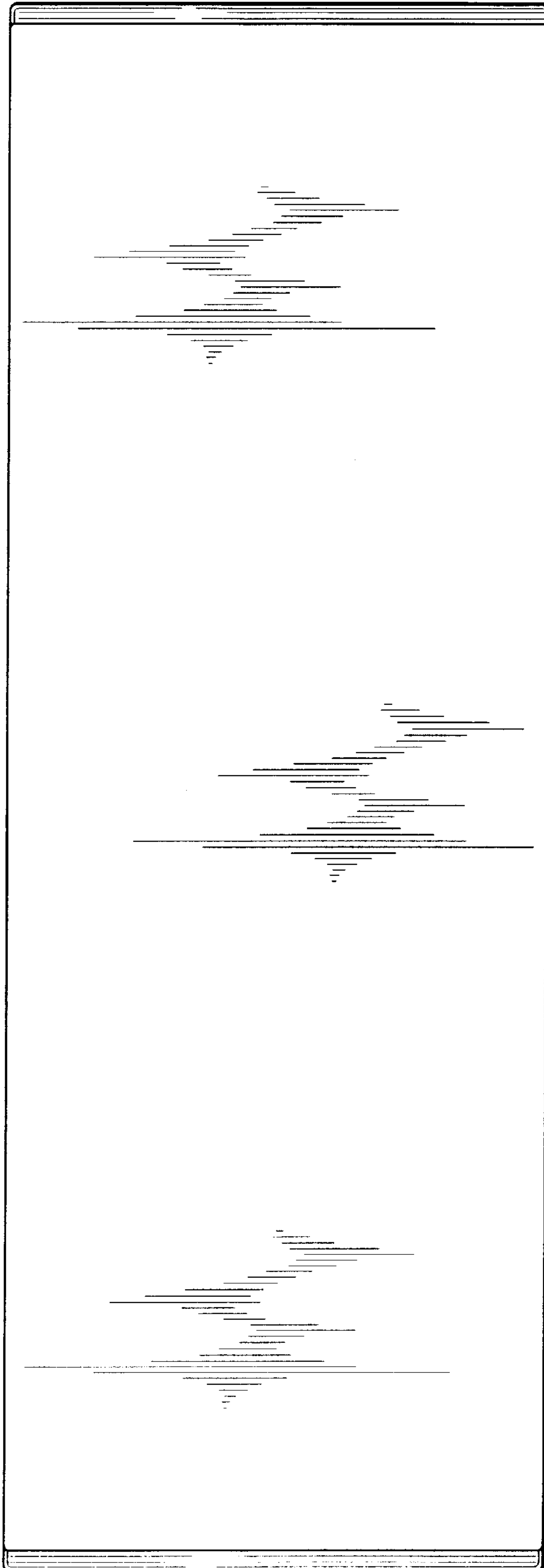


FIG. 7

