



US00D449093B1

(12) **United States Design Patent**
Engelbrektsson et al.

(10) **Patent No.:** **US D449,093 S**

(45) **Date of Patent:** **** Oct. 9, 2001**

(54) **DIFFERENTIAL PRESSURE REGULATOR**

(75) Inventors: **Anders Engelbrektsson**, Herrljunga;
Alvar Torstensson, Borås, both of (SE)

(73) Assignee: **Tour & Andersson Hydronics AB**,
Ljung (SE)

(**) Term: **14 Years**

(21) Appl. No.: **29/132,830**

(22) Filed: **Nov. 16, 2000**

(30) **Foreign Application Priority Data**

Jun. 5, 2000 (NO) 20000383

(51) **LOC (7) Cl.** **23-01**

(52) **U.S. Cl.** **D23/235**

(58) **Field of Search** D23/235, 233,
D23/234, 236, 244; 137/527, 527.6

(56) **References Cited**

U.S. PATENT DOCUMENTS

- D. 218,921 * 10/1970 Lecoq D23/235
- D. 283,740 * 5/1986 Wiessinger et al. D23/235
- D. 317,494 * 6/1991 Miyake et al. D23/235
- D. 318,713 * 7/1991 Miyake et al. D23/235

* cited by examiner

Primary Examiner—Robin V. Taylor

(74) *Attorney, Agent, or Firm*—Davis & Bujold, P.L.L.C.

(57) **CLAIM**

The ornamental design for a differential pressure regulator, as shown and described.

DESCRIPTION

FIG. 1 is a front view of a differential pressure regulator showing our new design;

FIG. 2 is a rear view of the differential pressure regulator shown in FIG. 1;

FIG. 3 is a top plan view of the differential pressure regulator shown in FIG. 1;

FIG. 4 is a bottom plan view of the differential pressure regulator shown in FIG. 1;

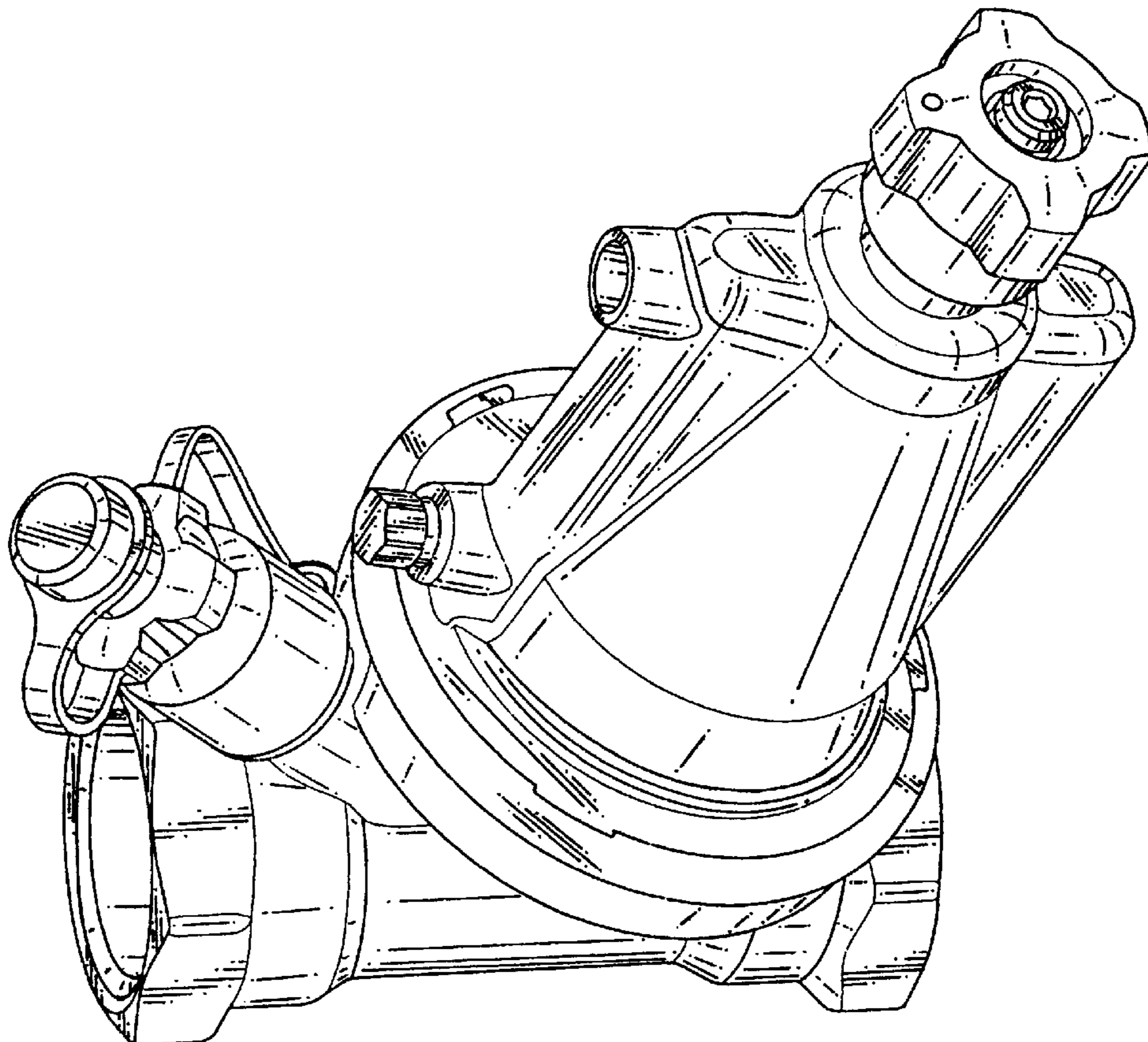
FIG. 5 is a side view from one side of the differential pressure regulator shown in FIG. 1;

FIG. 6 is a side view of the other side of the differential pressure regulator shown in FIG. 1;

FIG. 7 is a perspective view from one side and below of the differential pressure regulator shown in FIG. 1; and,

FIG. 8 is a perspective view from the other side and above of the differential pressure regulator shown in FIG. 1.

1 Claim, 8 Drawing Sheets



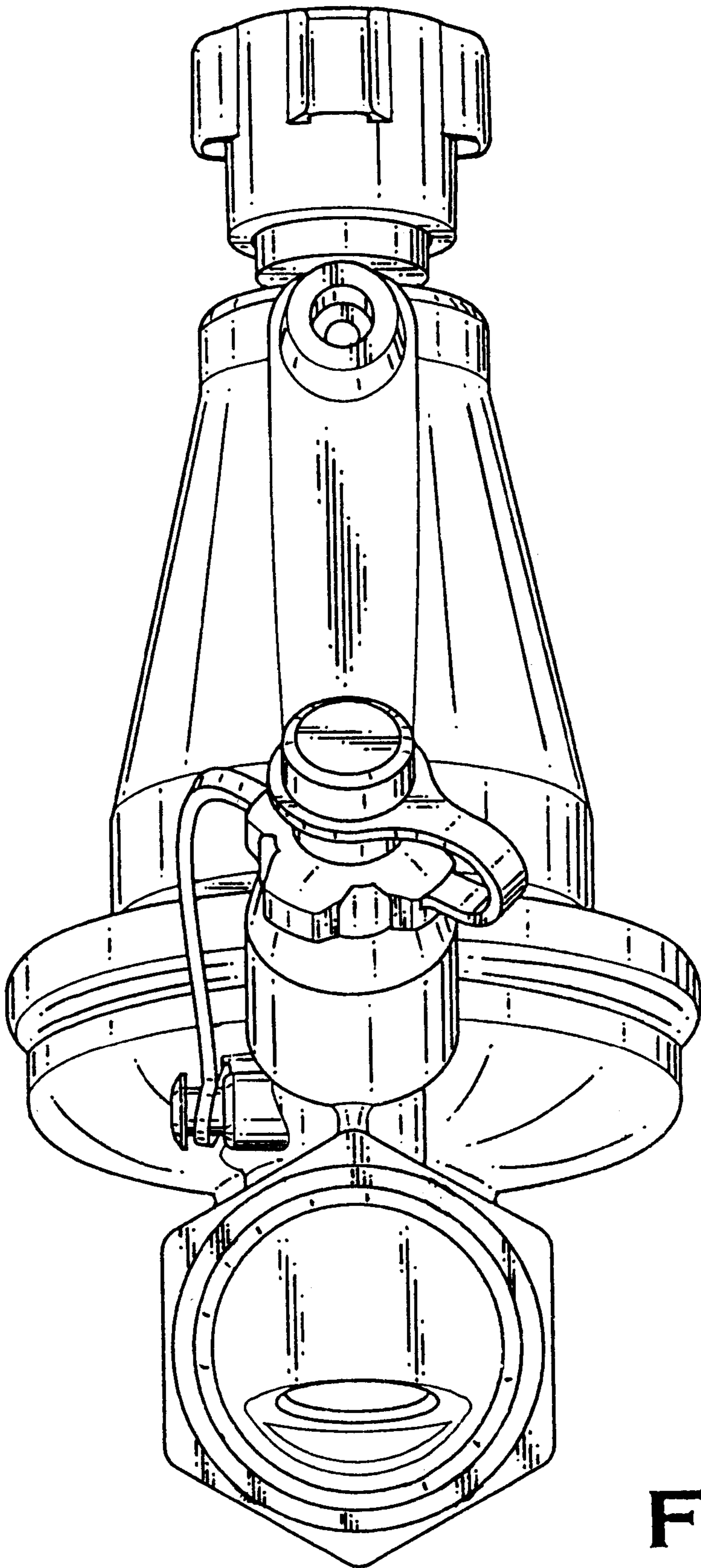


FIG. 1

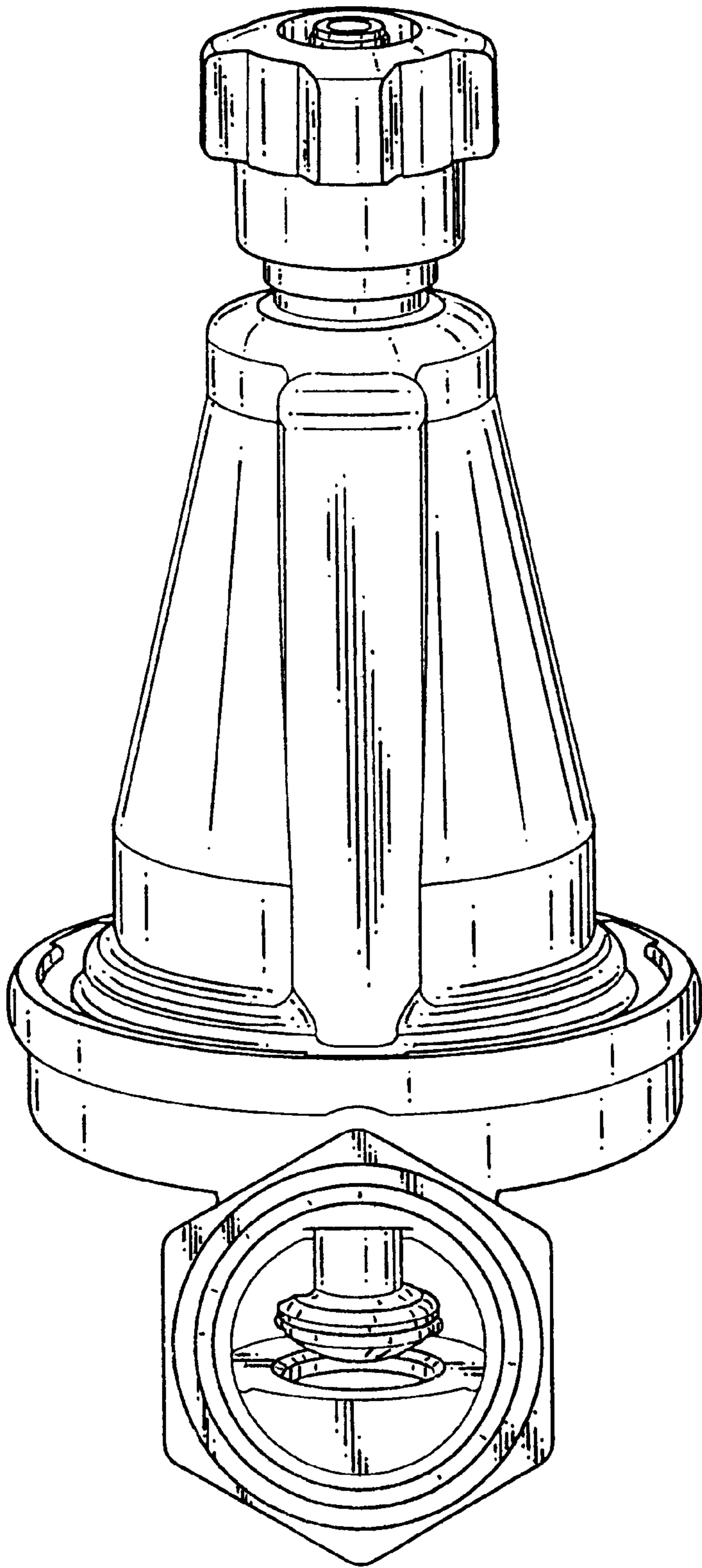


FIG. 2

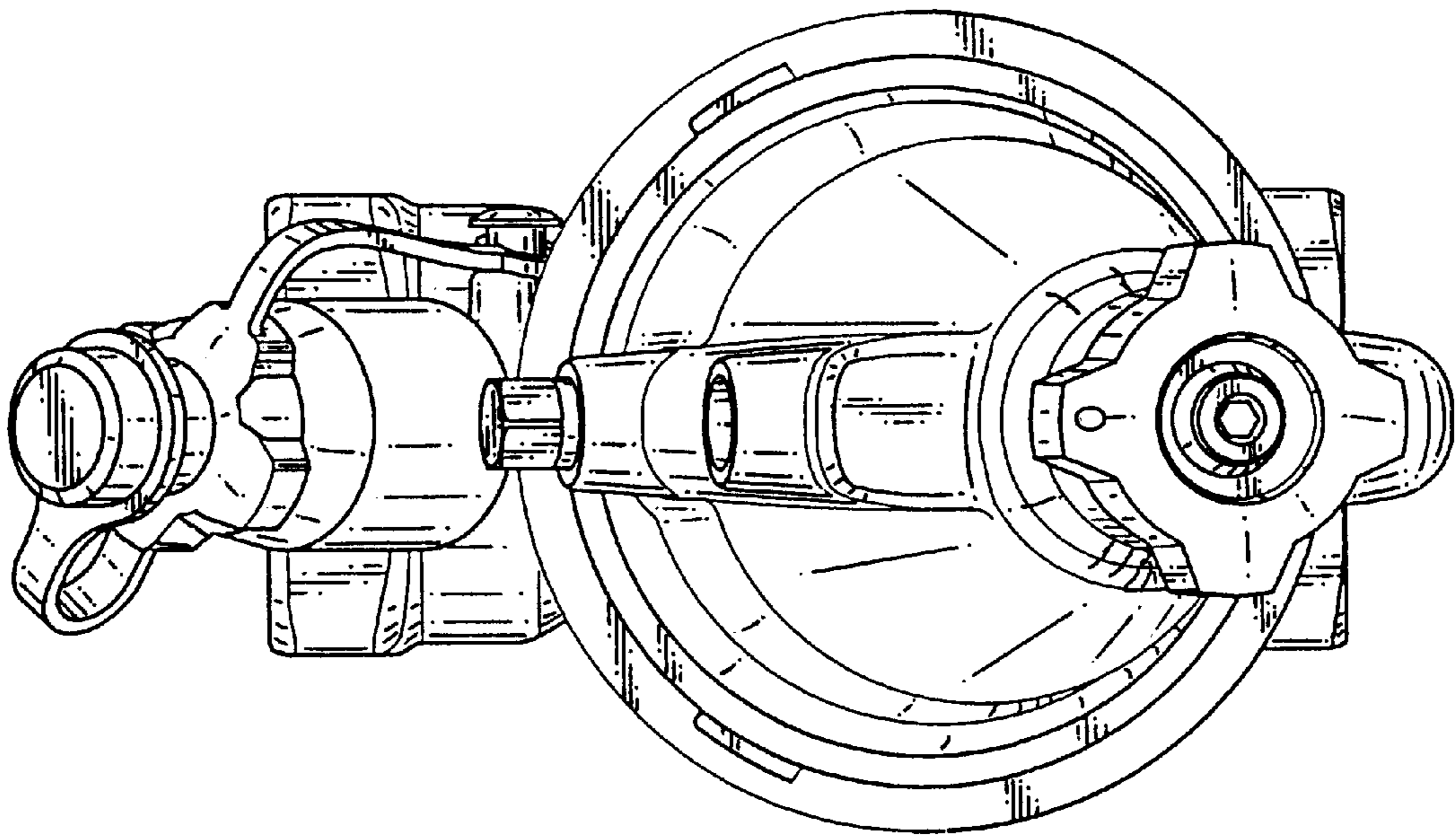


FIG. 3

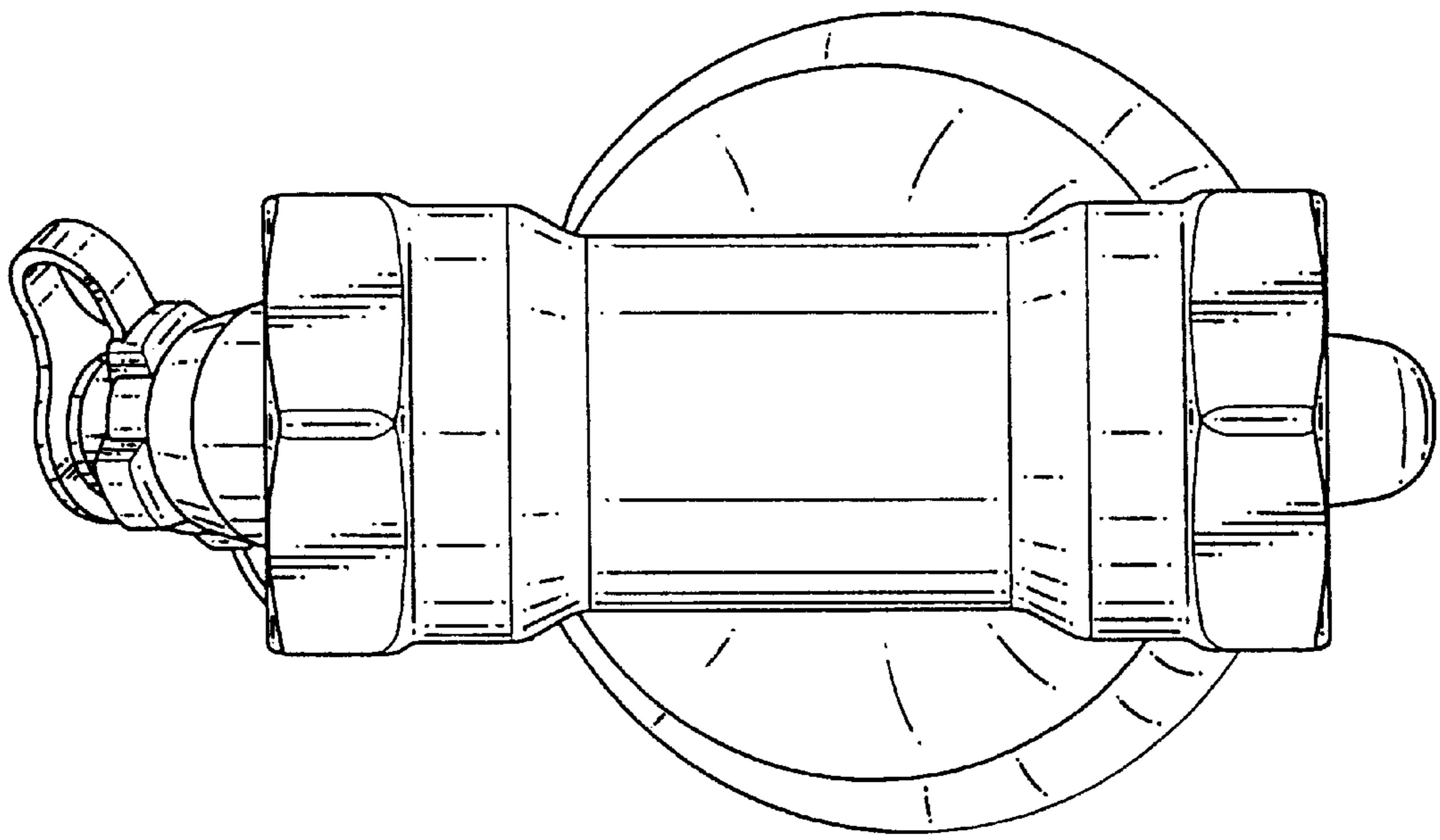


FIG. 4

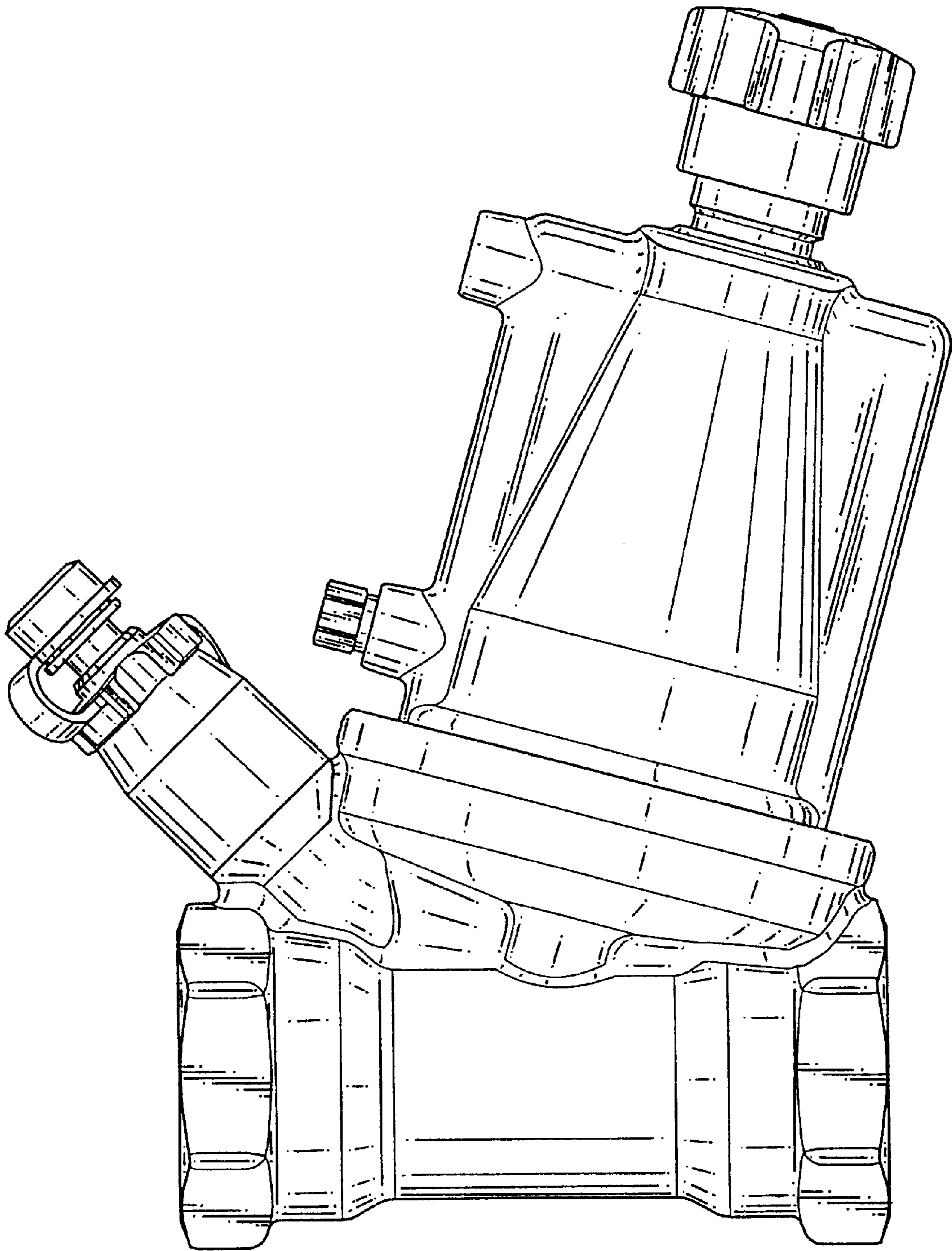


FIG. 5

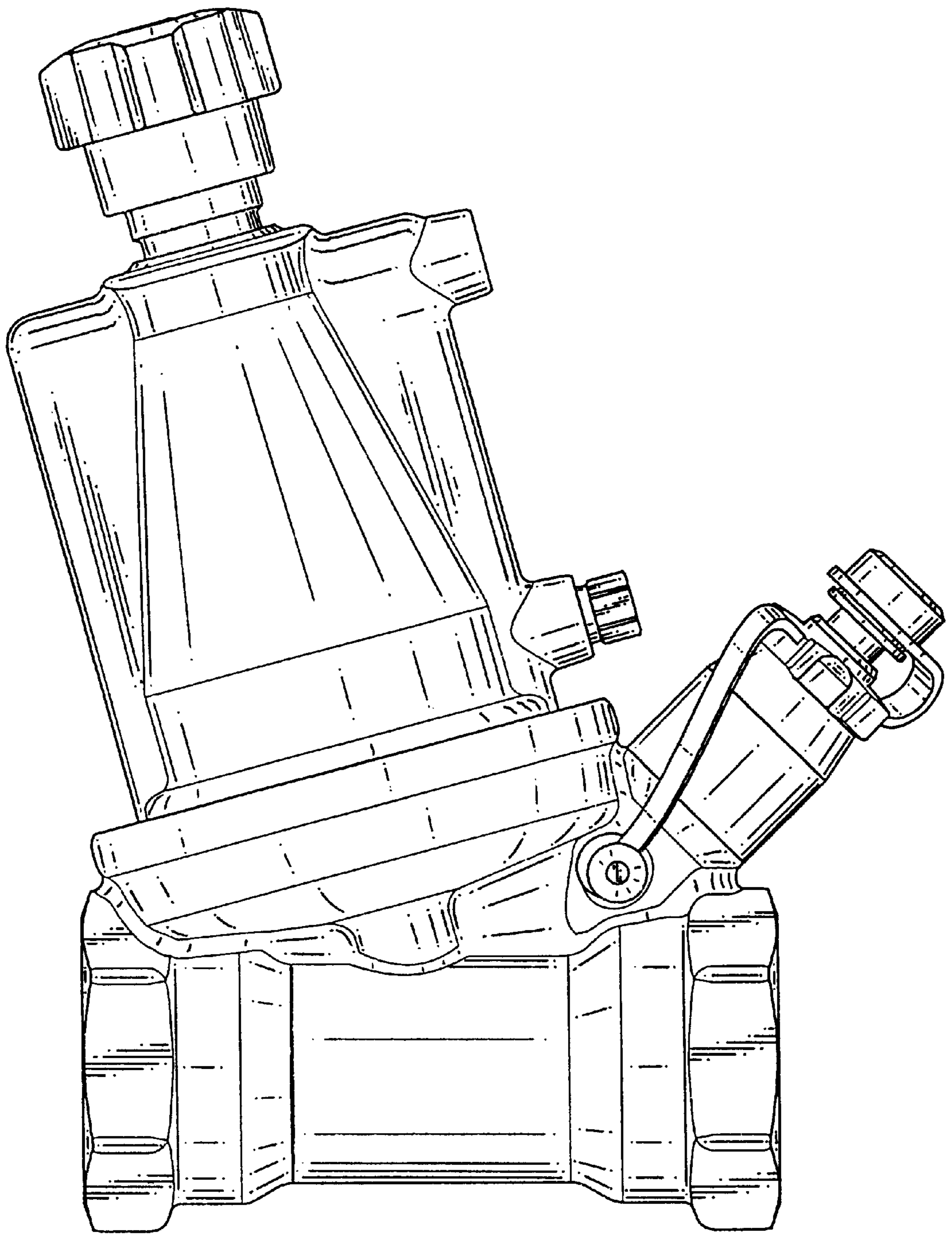


FIG. 6

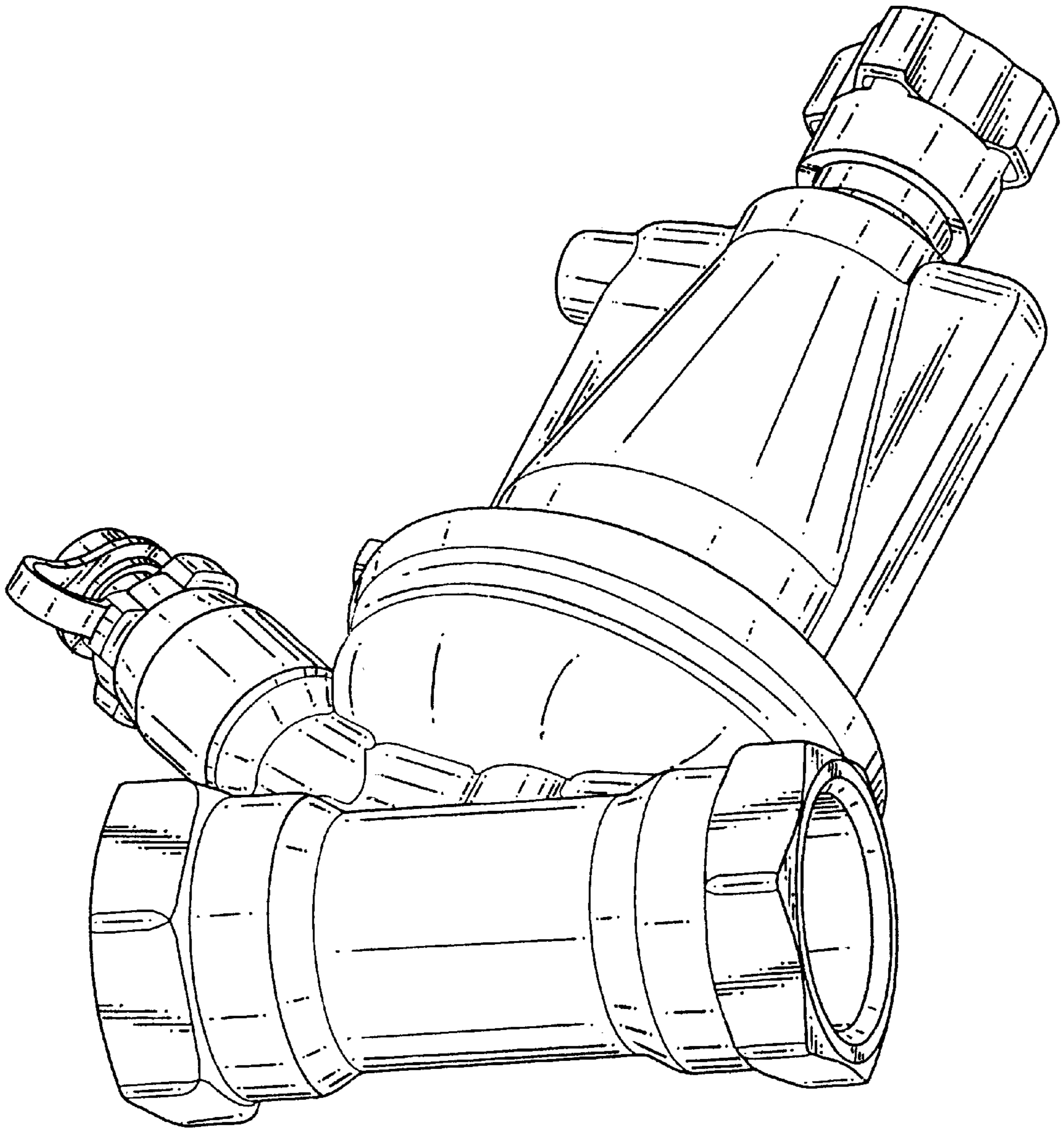


FIG. 7

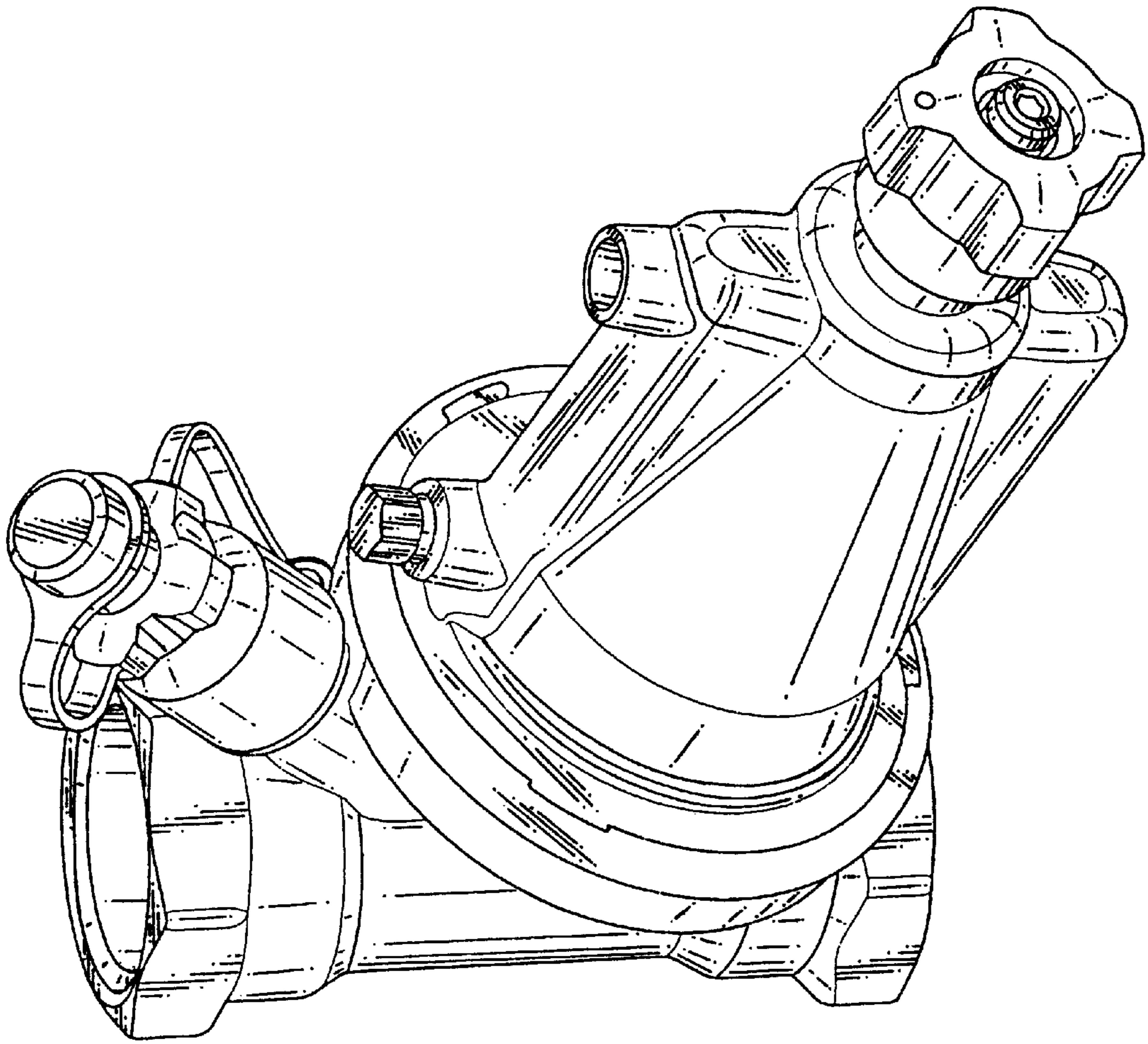


FIG. 8