



US00D449091B1

(12) **United States Design Patent**
Child

(10) **Patent No.:** **US D449,091 S**

(45) **Date of Patent:** **** Oct. 9, 2001**

(54) **INSECT TRAP**

(75) **Inventor:** **Kenneth John Child, Auckland (NZ)**

(73) **Assignee:** **Envirosafe Technologies NZ LTD., Auckland (NZ)**

(**) **Term:** **14 Years**

(21) **Appl. No.:** **29/129,697**

(22) **Filed:** **Sep. 21, 2000**

(30) **Foreign Application Priority Data**

Mar. 22, 2000 (NZ) 400574

(51) **LOC (7) Cl.** **22-06**

(52) **U.S. Cl.** **D22/122**

(58) **Field of Search** D22/119-125;
43/107, 128, 131, 122, 132.1, 133

(56) **References Cited**

U.S. PATENT DOCUMENTS

D. 359,790 * 6/1995 Blotnick D22/122

D. 415,548 * 10/1999 Nunes et al. D22/122

D. 421,477 * 3/2000 Kalal D22/122

6,189,259 * 2/2001 Soller 43/131

* cited by examiner

Primary Examiner—Catherine R. Oliver

(74) *Attorney, Agent, or Firm*—Young & Thompson

(57) **CLAIM**

The ornamental design for an insect trap, as shown and described.

DESCRIPTION

FIG. 1: is a front view of an insect trap showing my new design;

FIG. 2: Is a rear view of my new design,

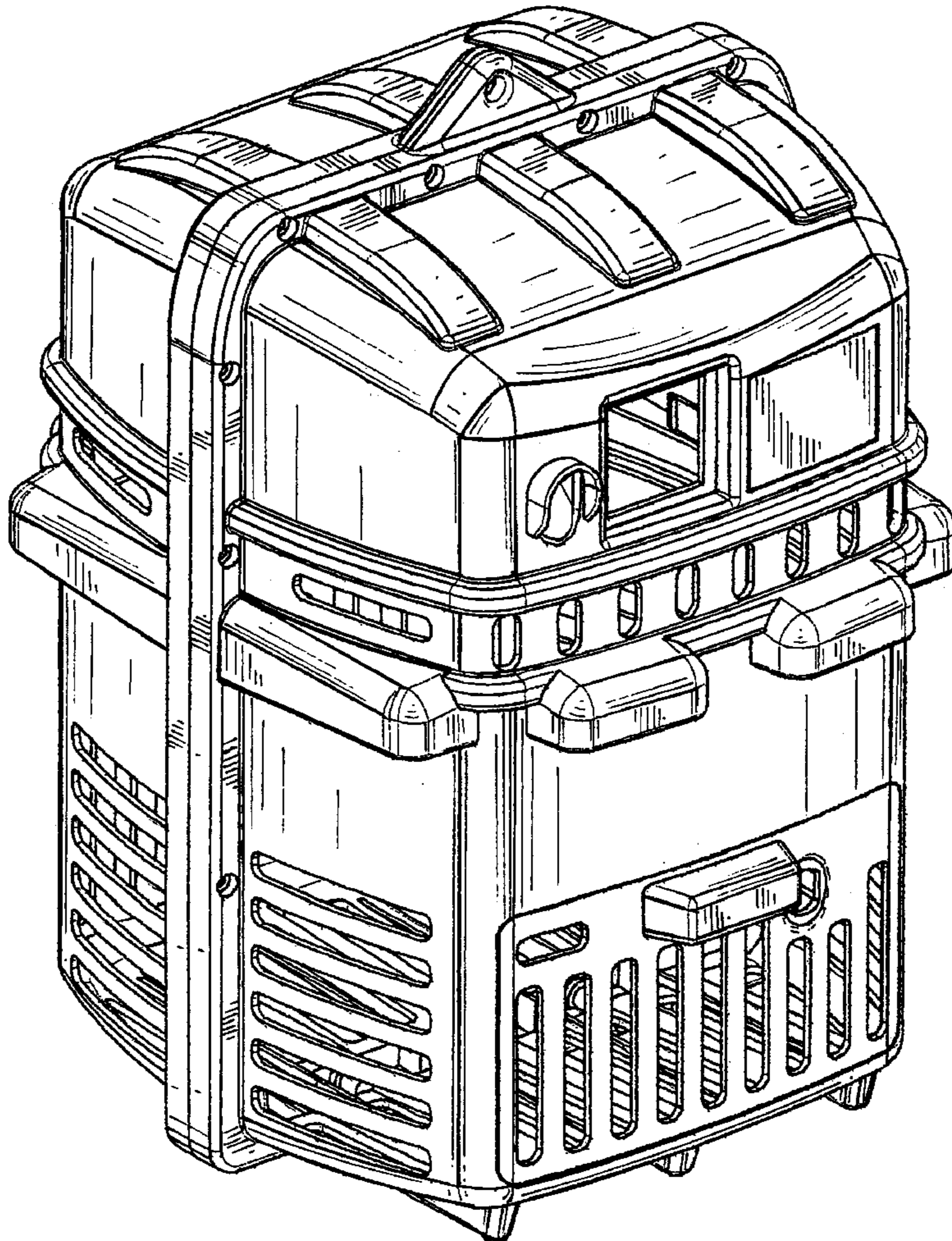
FIG. 3: Is a perspective view of my design,

FIG. 4: is a side view, the opposite side being a mirror image thereof;

FIG. 5: Is a bottom view of my design; and,

FIG. 6: Is a top view of my design.

1 Claim, 6 Drawing Sheets



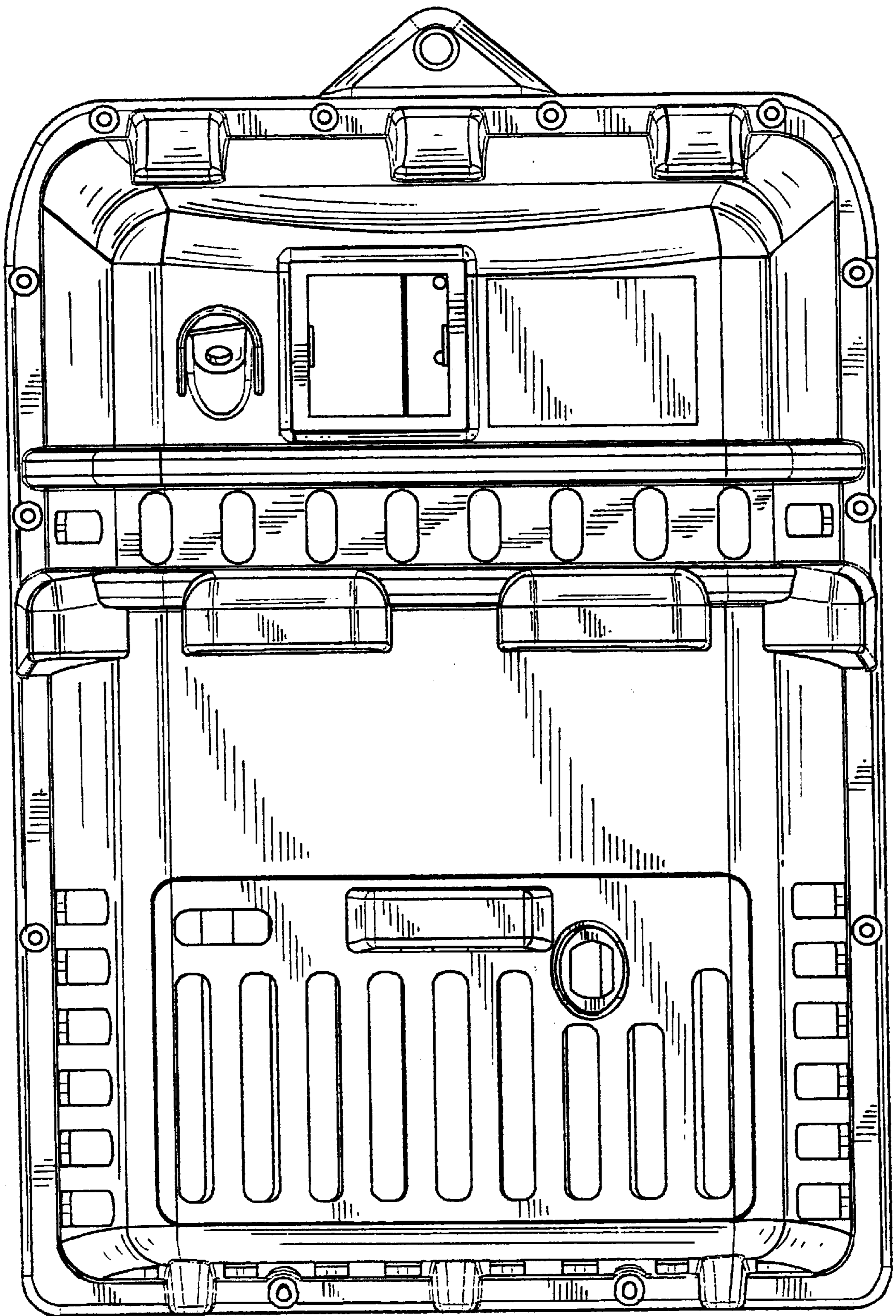


FIGURE 1

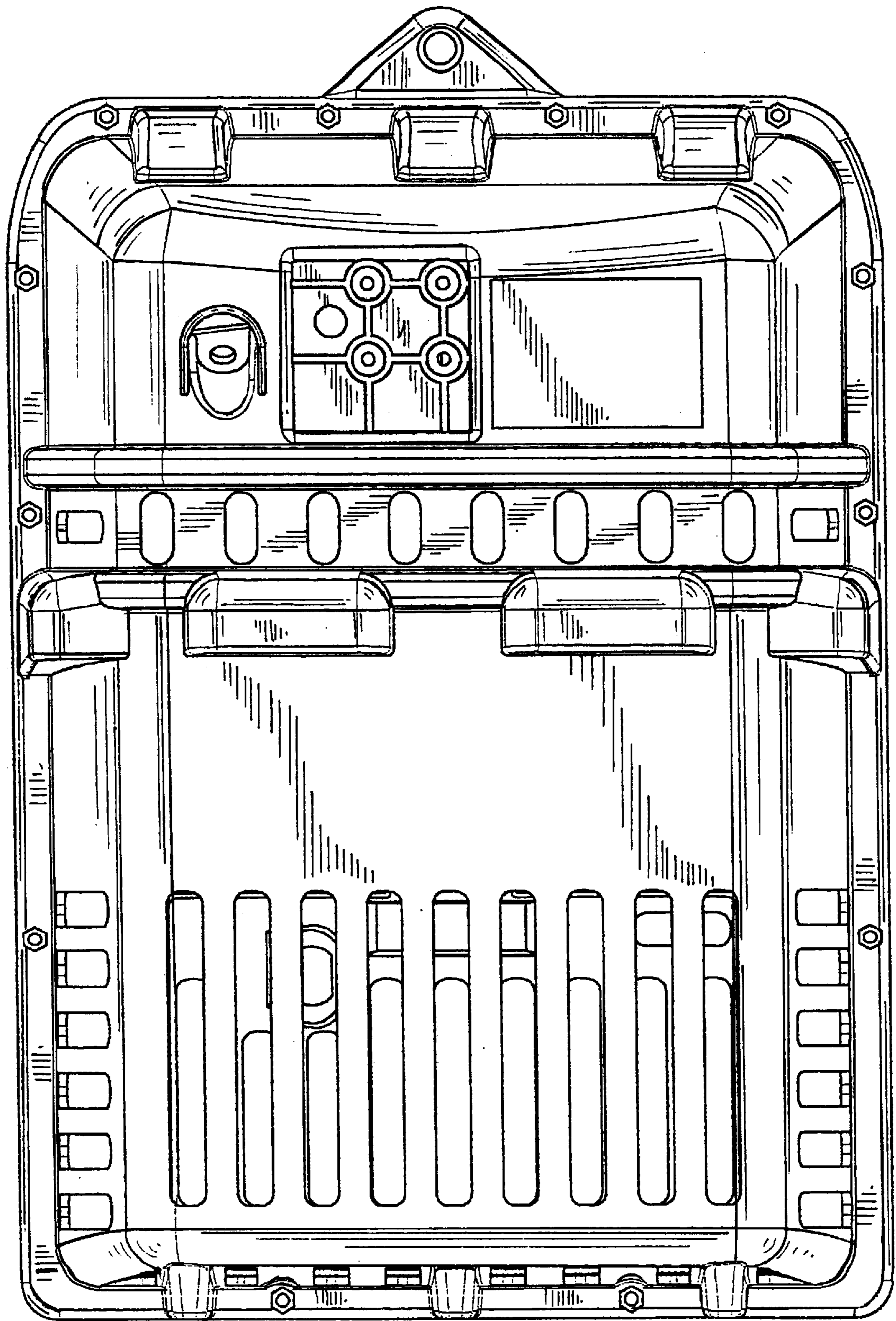


FIGURE 2

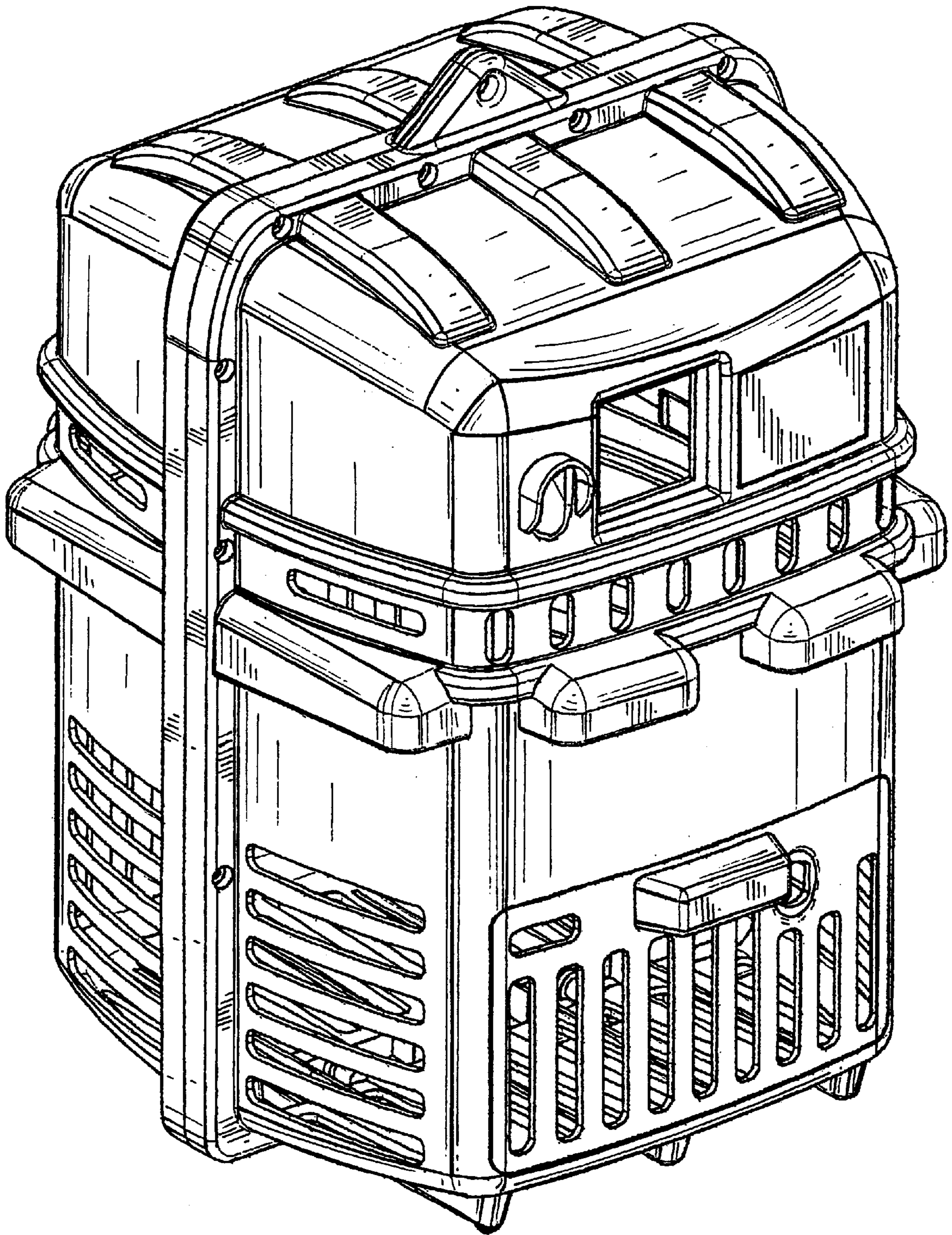


FIGURE 3

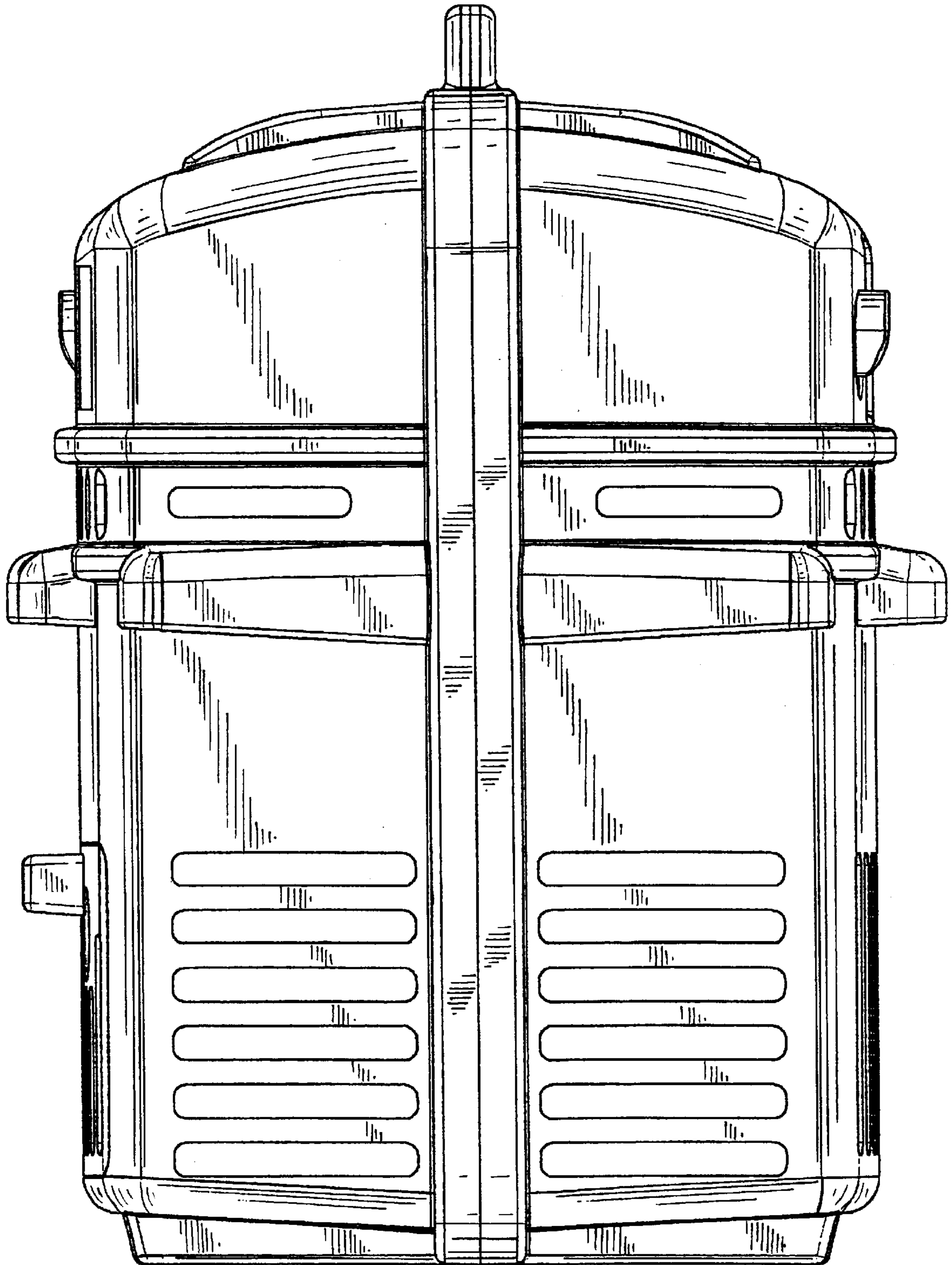


FIGURE 4

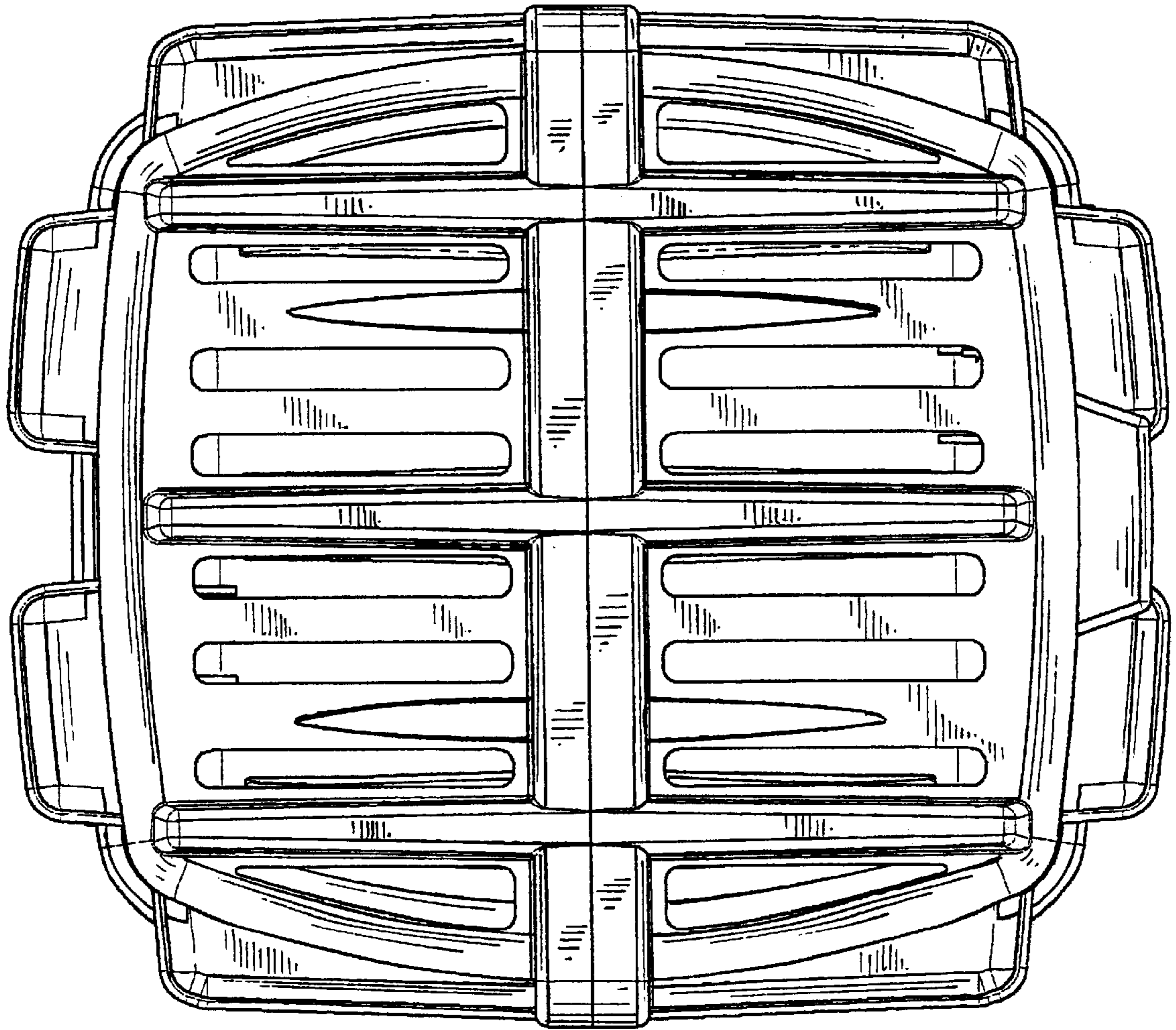


FIGURE 5

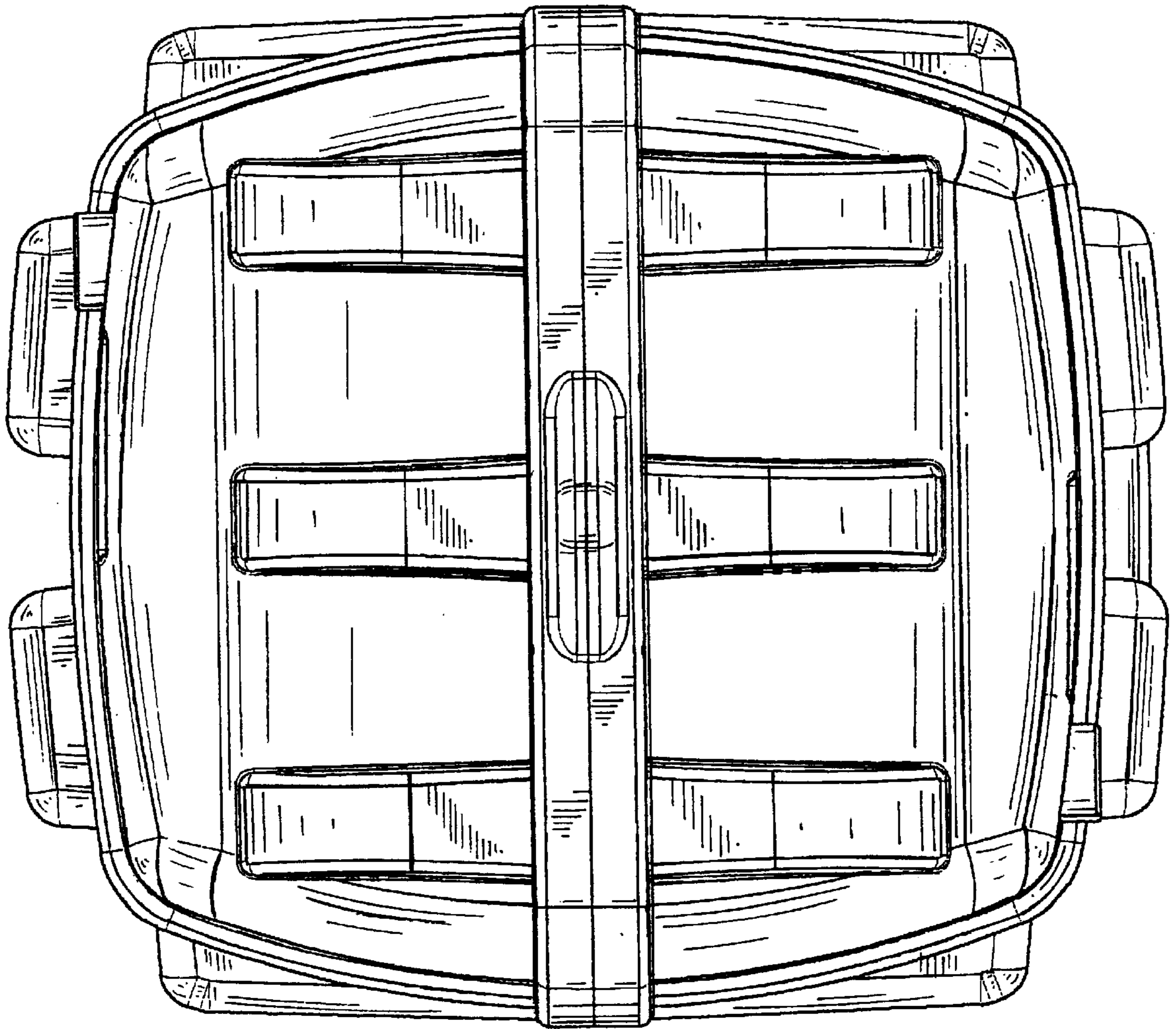


FIGURE 6