



US00D449090B1

(12) **United States Design Patent**
DelMonte

(10) **Patent No.: US D449,090 S**

(45) **Date of Patent: ** *Oct. 9, 2001**

(54) **ATTACHABLE FLETCH FOR ARROW AND DART**

5,039,110	8/1991	Honda	473/586
5,154,432	10/1992	Saunders	473/578
5,427,385	6/1995	Conrad et al.	473/586
5,443,273 *	8/1995	Lovorn	473/586

(76) **Inventor: Nicholas J DelMonte**, 6519 Chestnut Ridge Rd., Orchard Park, NY (US) 14127

* cited by examiner

(*) **Notice:** This patent is subject to a terminal disclaimer.

Primary Examiner—Louis S. Zarfaz
Assistant Examiner—Monica A. Weingart

(**) **Term:** 14 Years

(57) **CLAIM**

(21) **Appl. No.: 29/120,600**

The ornamental design for a attachable fletch for arrow and dart, as shown.

(22) **Filed: Mar. 22, 2000**

DESCRIPTION

(51) **LOC (7) Cl.** 22-01

(52) **U.S. Cl.** D22/107

(58) **Field of Search** D22/100, 107, D22/199; 473/578, 586

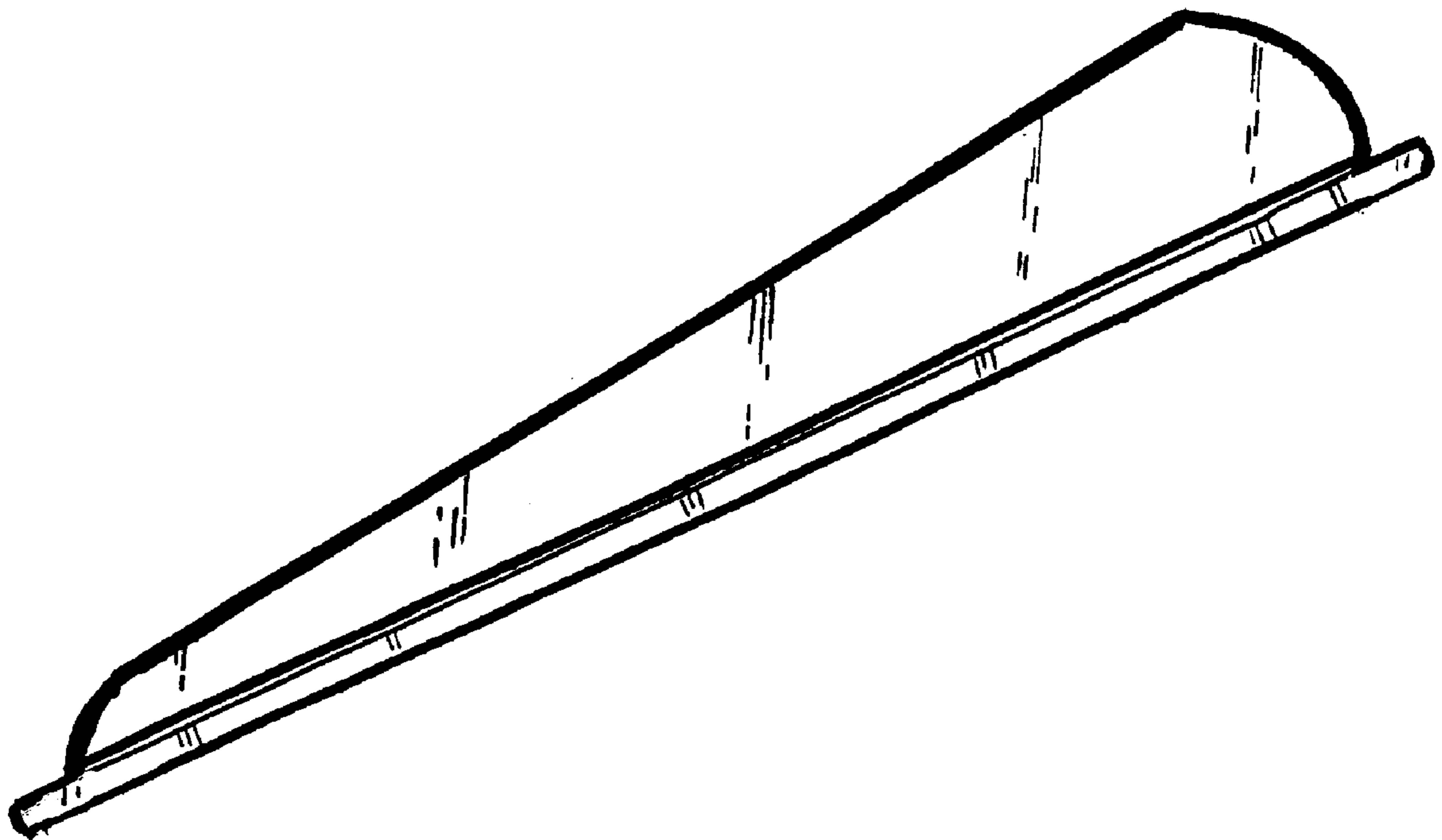
FIG. 1 is a right side view of a first embodiment of a attachable fletch for arrow and dart showing my new design; FIG. 2 is a rear view of first embodiment thereof; FIG. 3 is a left side view of first embodiment thereof; FIG. 4 is a front side view of first embodiment thereof; FIG. 5 is a left side view of second embodiment thereof; FIG. 6 is a front side view of second embodiment thereof; FIG. 7 is a right side view of second embodiment thereof; FIG. 8 is a rear side view of second embodiment thereof; FIG. 9 is a top plan view of second embodiment thereof; FIG. 10 is a perspective view of second embodiment thereof; FIG. 11 is a top plan view of first embodiment thereof; and, FIG. 12 is a perspective view of first embodiment thereof.

(56) **References Cited**

U.S. PATENT DOCUMENTS

D. 418,191	12/1999	Delmonte	D22/107
2,484,589	10/1949	Richards	473/578
2,782,036 *	2/1957	Folberth, Jr. et al.	473/586
2,796,262	6/1957	Folberth, Jr. et al.	473/586
3,667,758 *	6/1972	Bengtsson	473/586
3,749,403 *	7/1973	Austin et al.	473/586
5,024,448	6/1991	Barrie	473/586

1 Claim, 2 Drawing Sheets



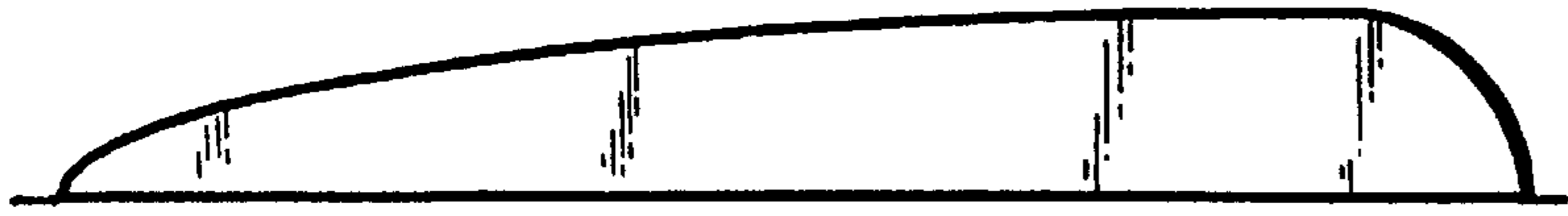


FIG. 1



FIG. 2

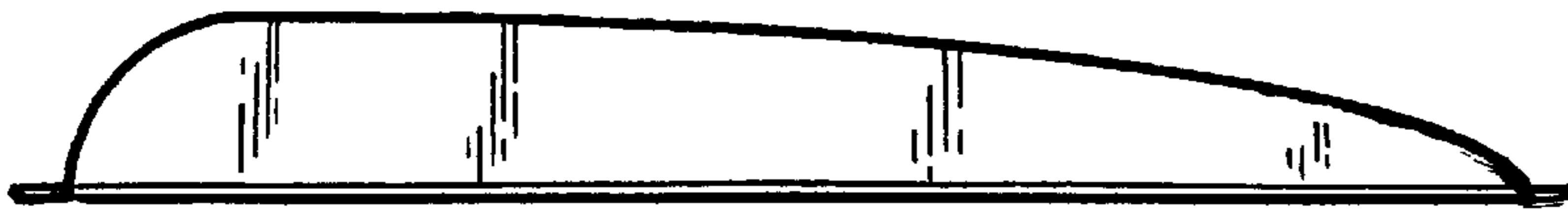


FIG. 3



FIG. 4

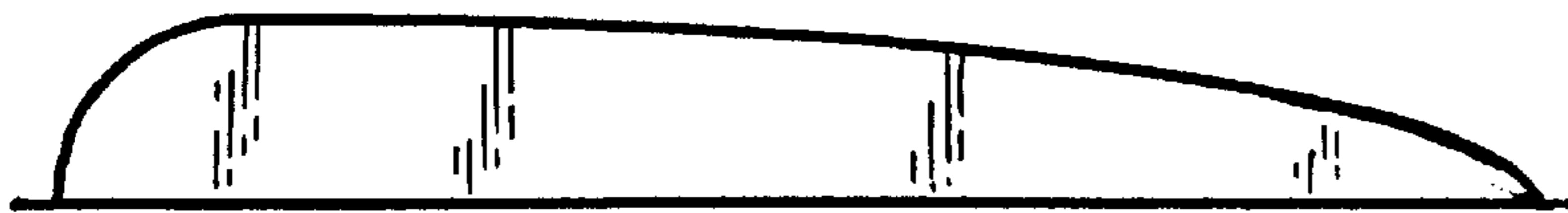


FIG. 5



FIG. 6

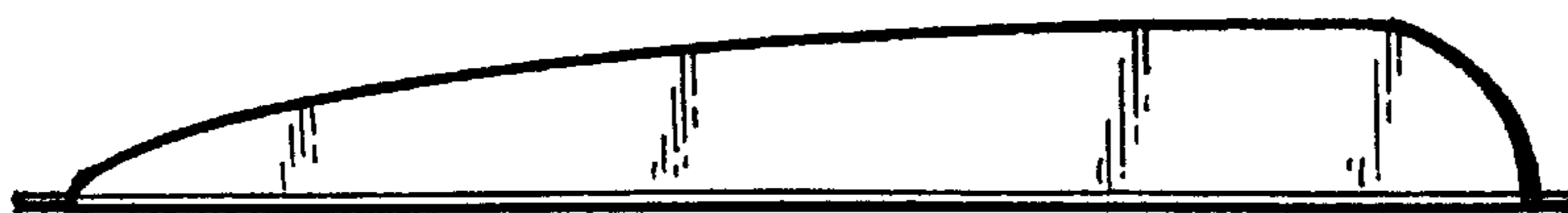


FIG. 7



FIG. 8



FIG. 9

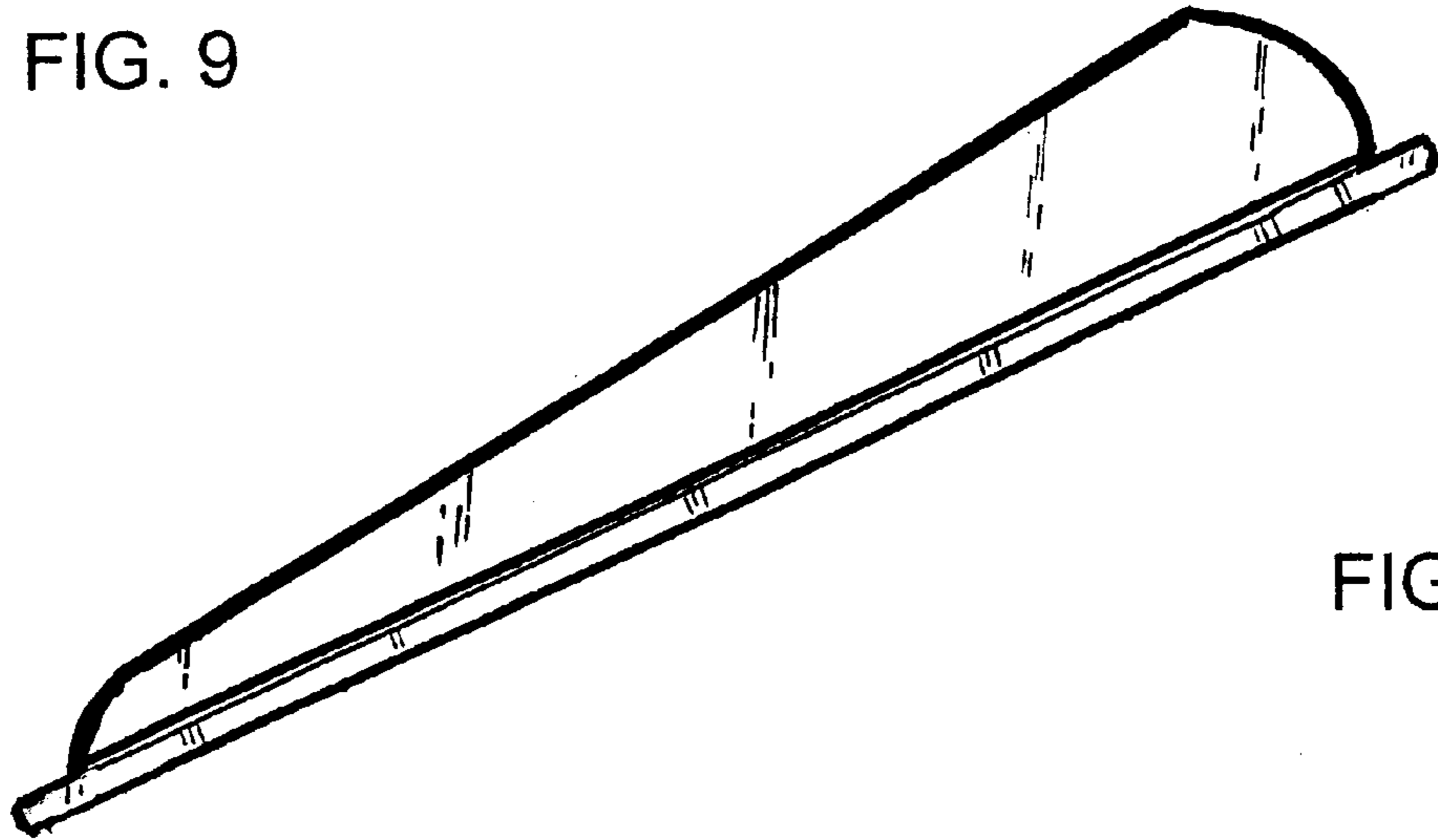


FIG. 10



FIG. 11

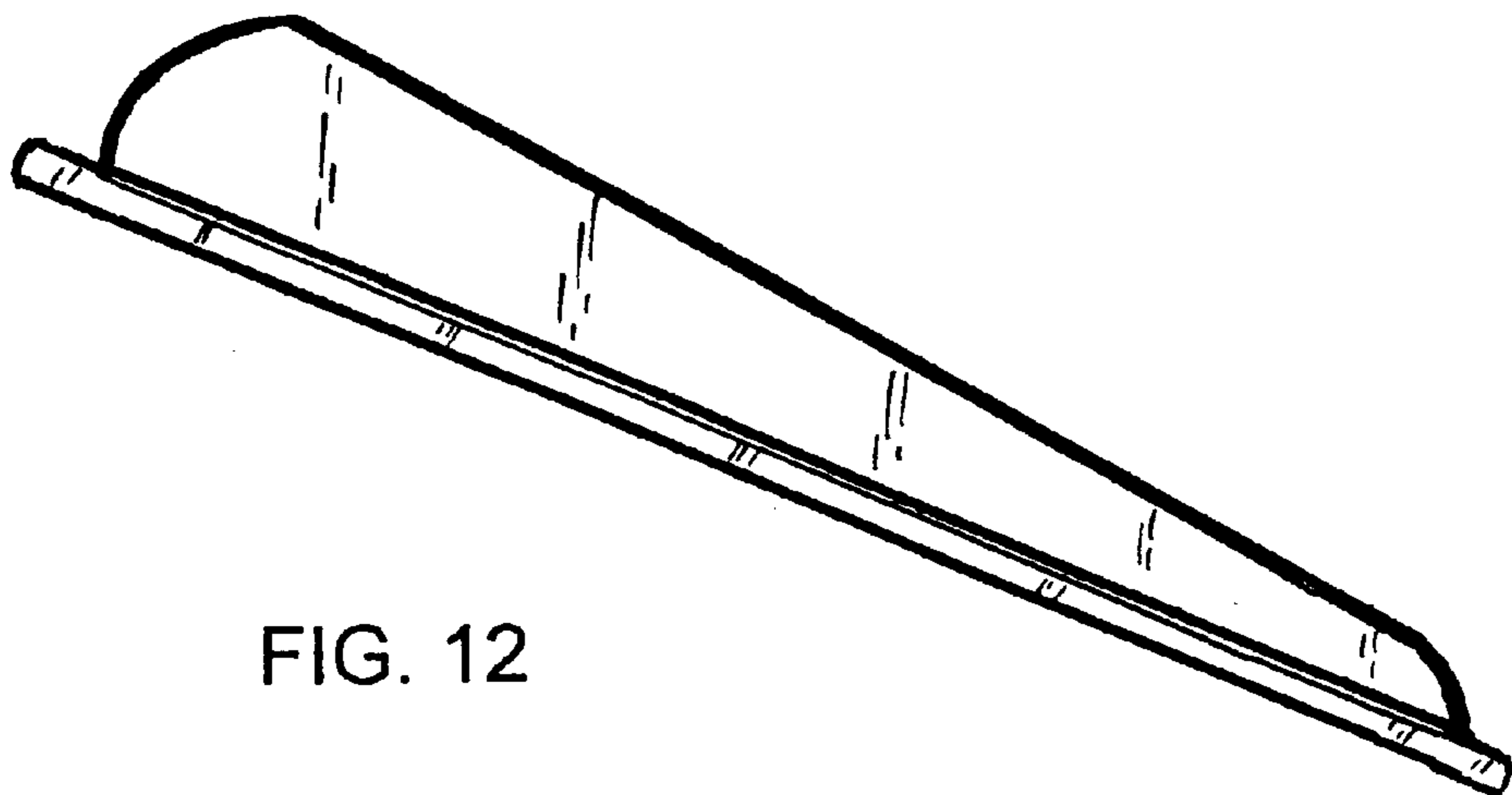


FIG. 12