



US00D449089B1

(12) **United States Design Patent**
Burger

(10) **Patent No.:** **US D449,089 S**

(45) **Date of Patent:** **** Oct. 9, 2001**

(54) **SCOOTER SKI STRUCTURE**

(76) Inventor: **Jason E. Burger**, 1560 Rudd Ct.,
Libertyville, IL (US) 60048

(**) Term: **14 Years**

(21) Appl. No.: **29/133,902**

(22) Filed: **Dec. 8, 2000**

(51) **LOC (7) Cl.** **21-02**

(52) **U.S. Cl.** **D21/766; D21/760; D21/423**

(58) **Field of Search** D21/760, 761,
D21/766, 767, 763, 764, 765, 775, 776,
777, 779, 423; 280/7.12, 14.2, 14.25, 14.28,
16, 20, 22, 28, 87.041, 205, 14.3

(56) **References Cited**

U.S. PATENT DOCUMENTS

D. 210,544	*	3/1968	Fleisher	D21/423
D. 384,912		10/1997	Lanner .		
1,330,644		2/1920	Matson .		
1,445,219		2/1923	Larson .		
1,658,068		2/1928	White .		
2,006,325		6/1935	Scholtes .		
2,449,336		9/1948	Spitzwieser .		
2,497,995		2/1950	Julie .		
3,057,634		10/1962	Long .		
3,529,847		9/1970	Shores .		
4,160,552		7/1979	Kupka .		
4,161,323	*	7/1979	Wetteland	280/7.12
4,537,412		8/1985	Hill .		
4,708,353	*	11/1987	Evequoz	280/16
4,773,659		9/1988	Rygiel .		
5,092,616		3/1992	McKinney .		
5,351,975		10/1994	Petoud .		
5,516,126		5/1996	Myers .		
5,547,204		8/1996	Gamzo .		

* cited by examiner

Primary Examiner—Kay H. Chin

(74) *Attorney, Agent, or Firm*—TraskBritt

(57) **CLAIM**

The ornamental design for a scooter ski structure, as shown and described.

DESCRIPTION

FIG. 1 is a perspective view of a scooter ski structure showing my new design;

FIG. 2 is a first side view of the scooter ski structure shown in FIG. 1;

FIG. 3 is a second side view of the scooter ski structure in FIG. 1;

FIG. 4 is a front view of the scooter ski structure shown in FIG. 1;

FIG. 5 is a rear view of the scooter ski structure shown in FIG. 1;

FIG. 6 is a top plan view of the scooter ski structure shown in FIG. 1;

FIG. 7 is a bottom plan view of the scooter ski structure shown in FIG. 1;

FIG. 8 is a perspective view of a second embodiment of a scooter ski structure showing my new design;

FIG. 9 is a first side view of the scooter ski structure shown in FIG. 8;

FIG. 10 is a second side view of the scooter ski structure in FIG. 8;

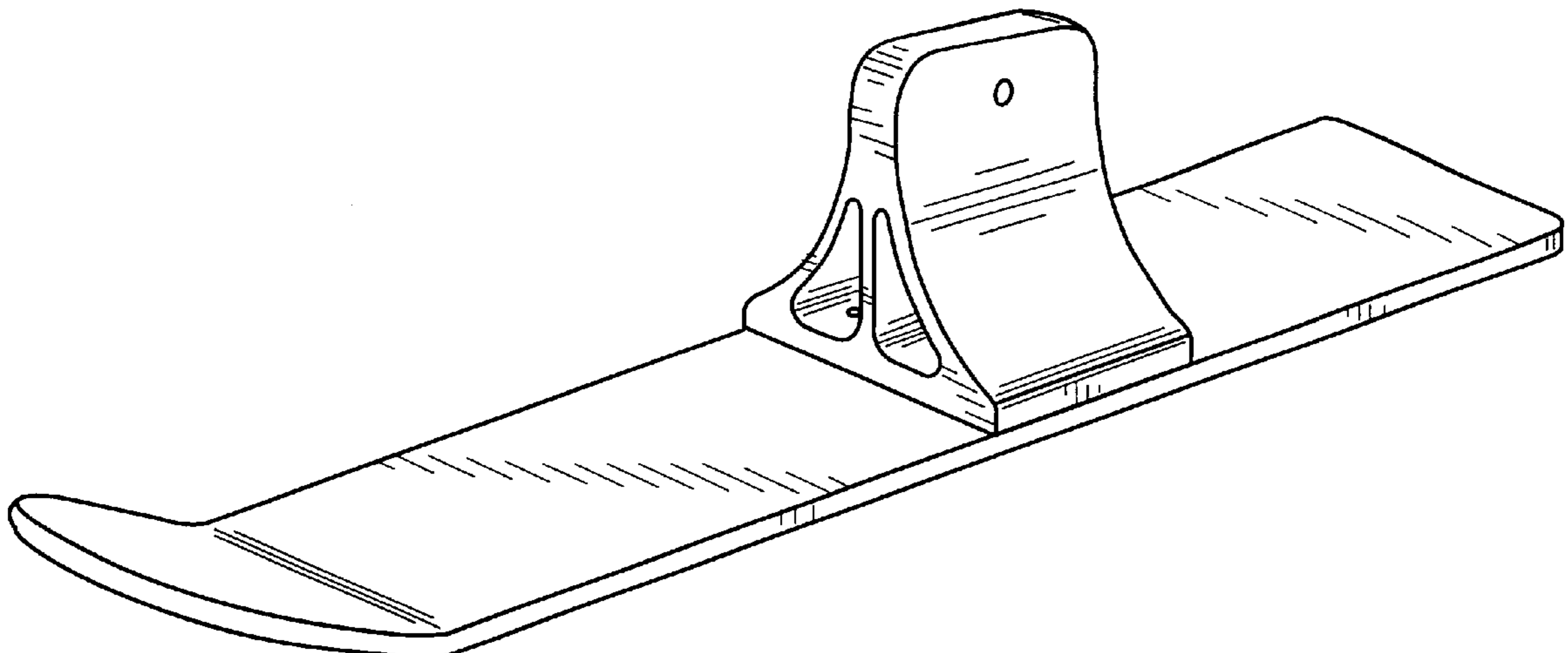
FIG. 11 is a front view of the scooter ski structure shown in FIG. 8;

FIG. 12 is a rear view of the scooter ski structure shown in FIG. 8;

FIG. 13 is a top plan view of the scooter ski structure shown in FIG. 8; and,

FIG. 14 is a bottom plan view of the scooter ski structure shown in FIG. 8.

1 Claim, 4 Drawing Sheets



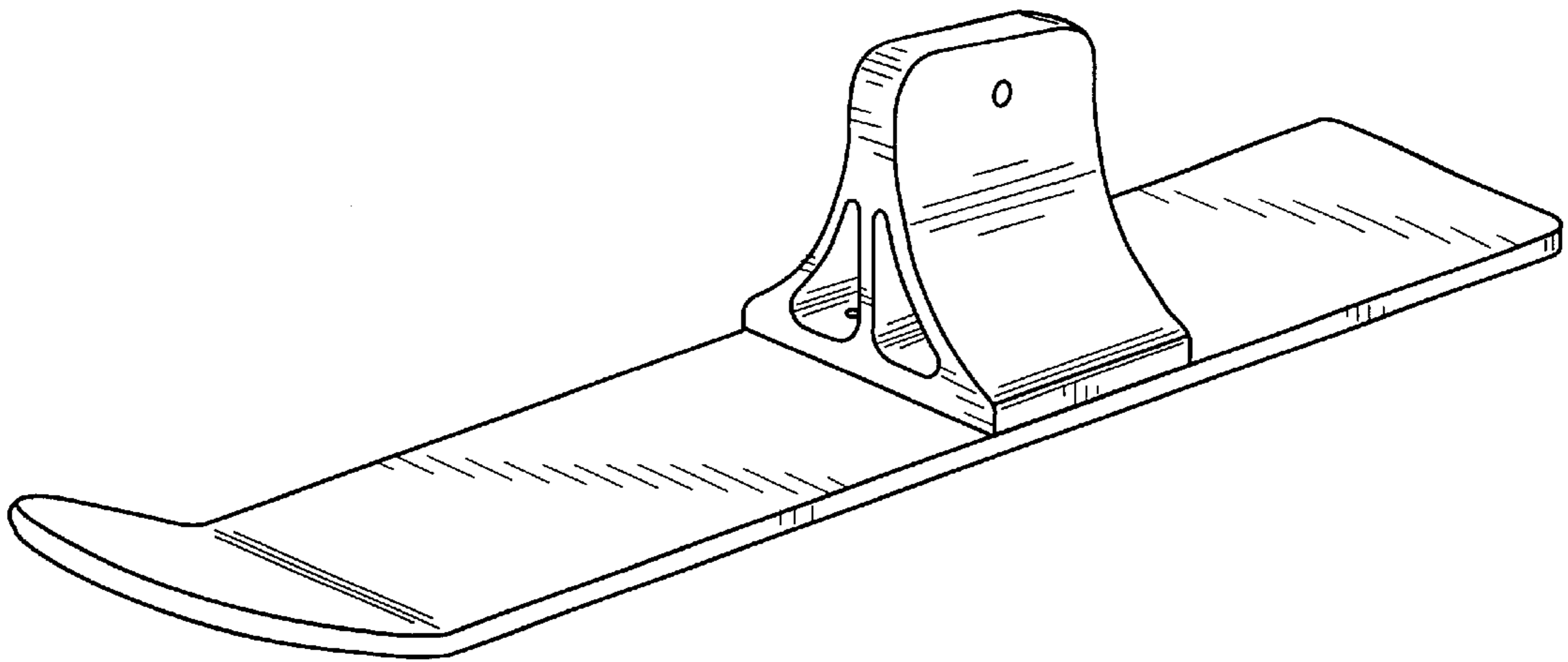


Fig. 1

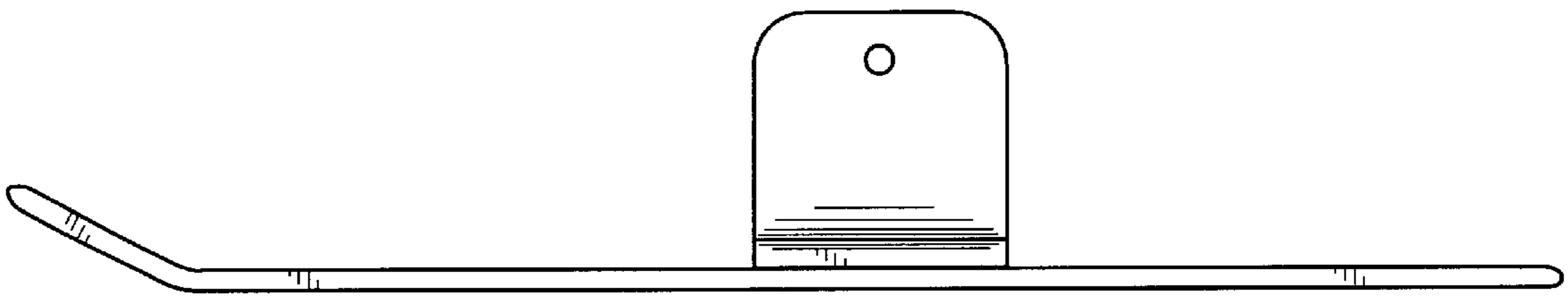


Fig. 2

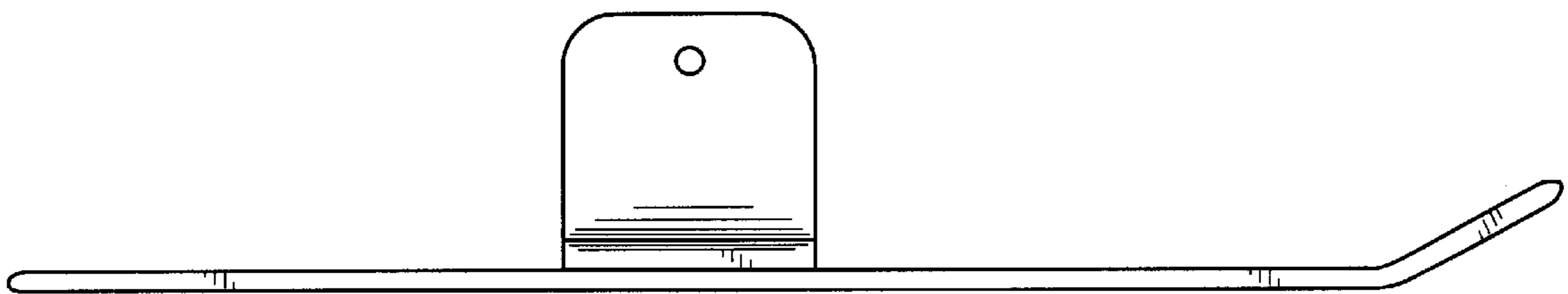


Fig. 3

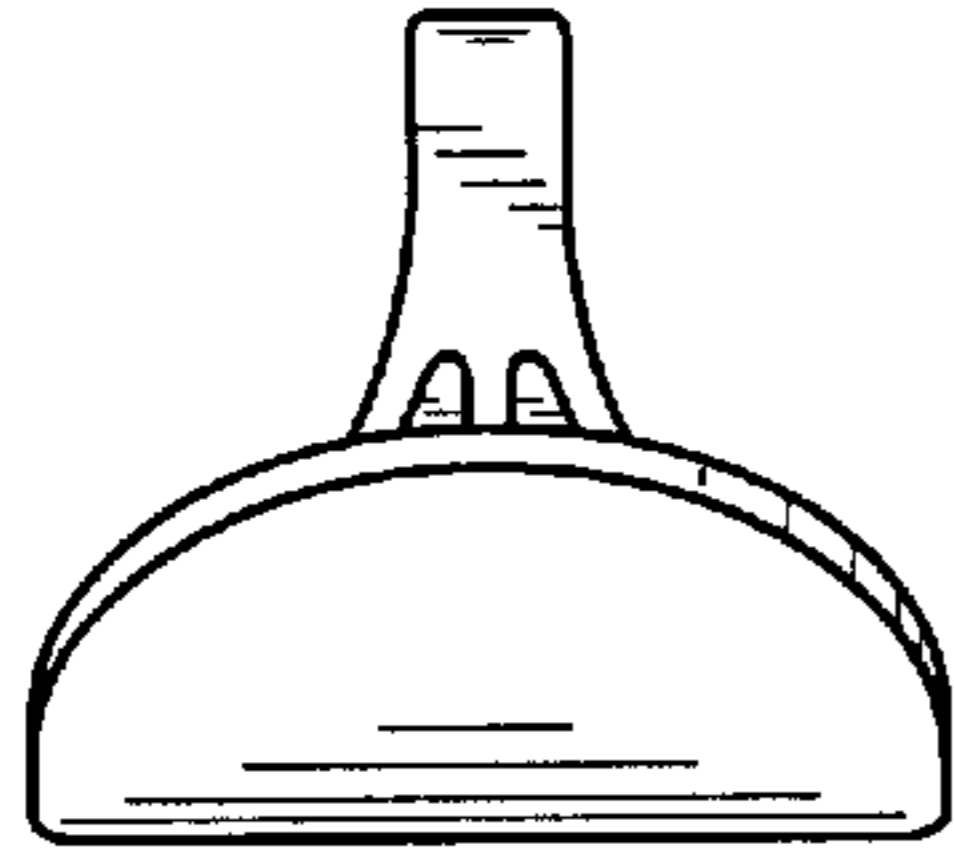


Fig. 4

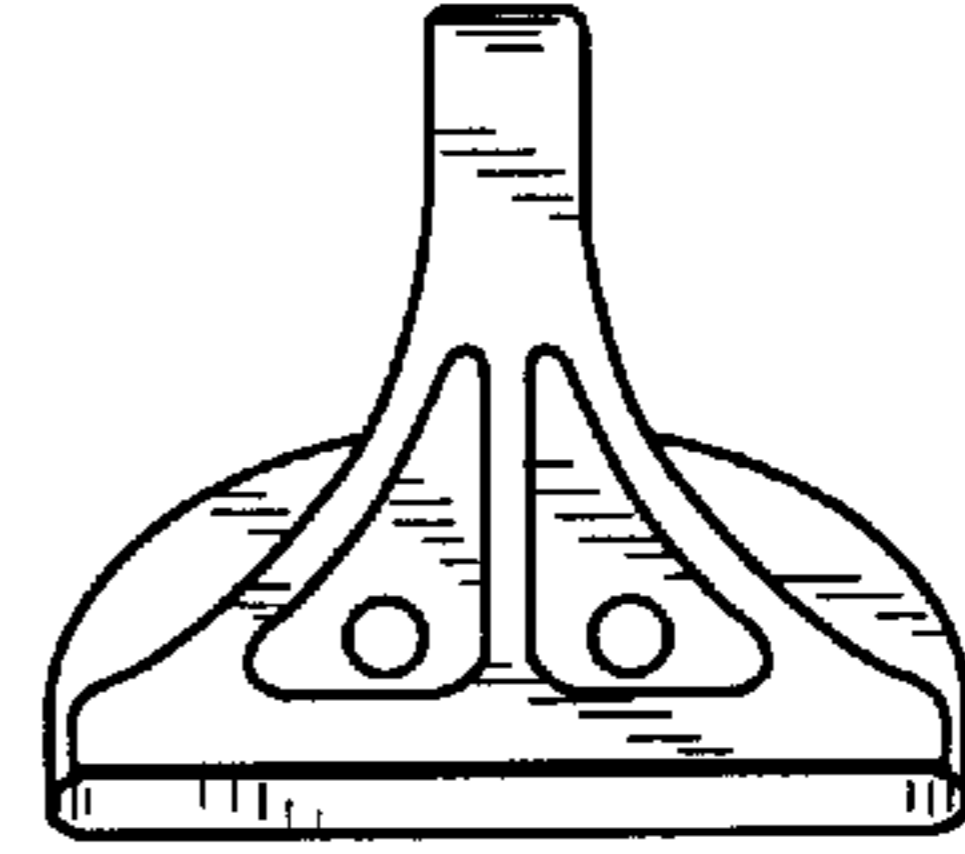


Fig. 5

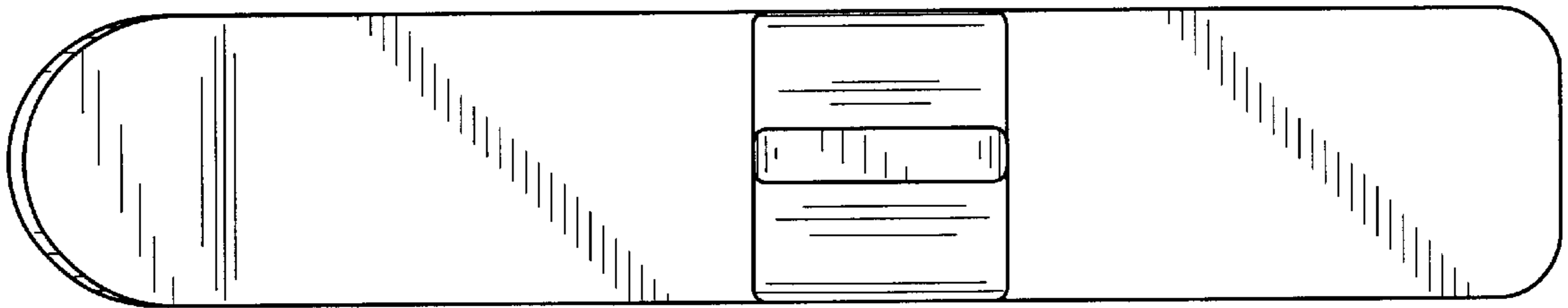


Fig. 6

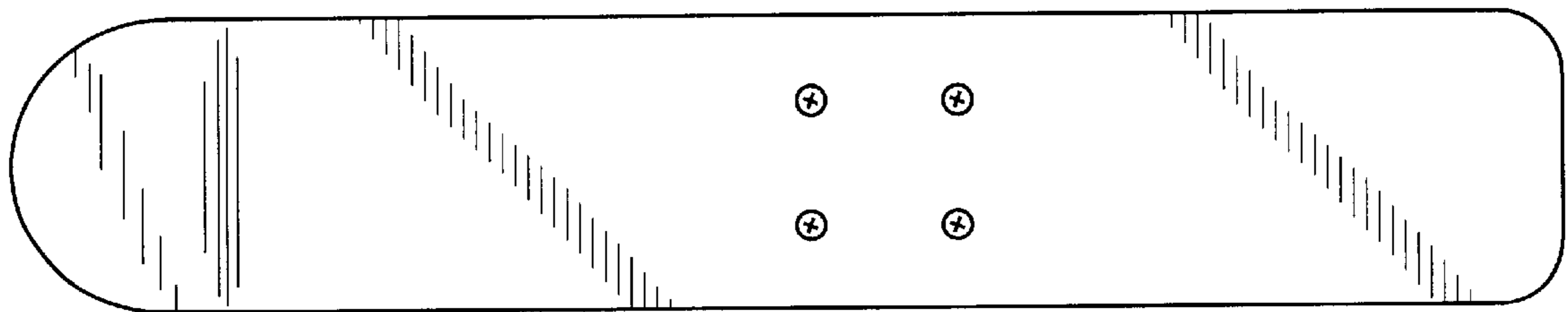


Fig. 7

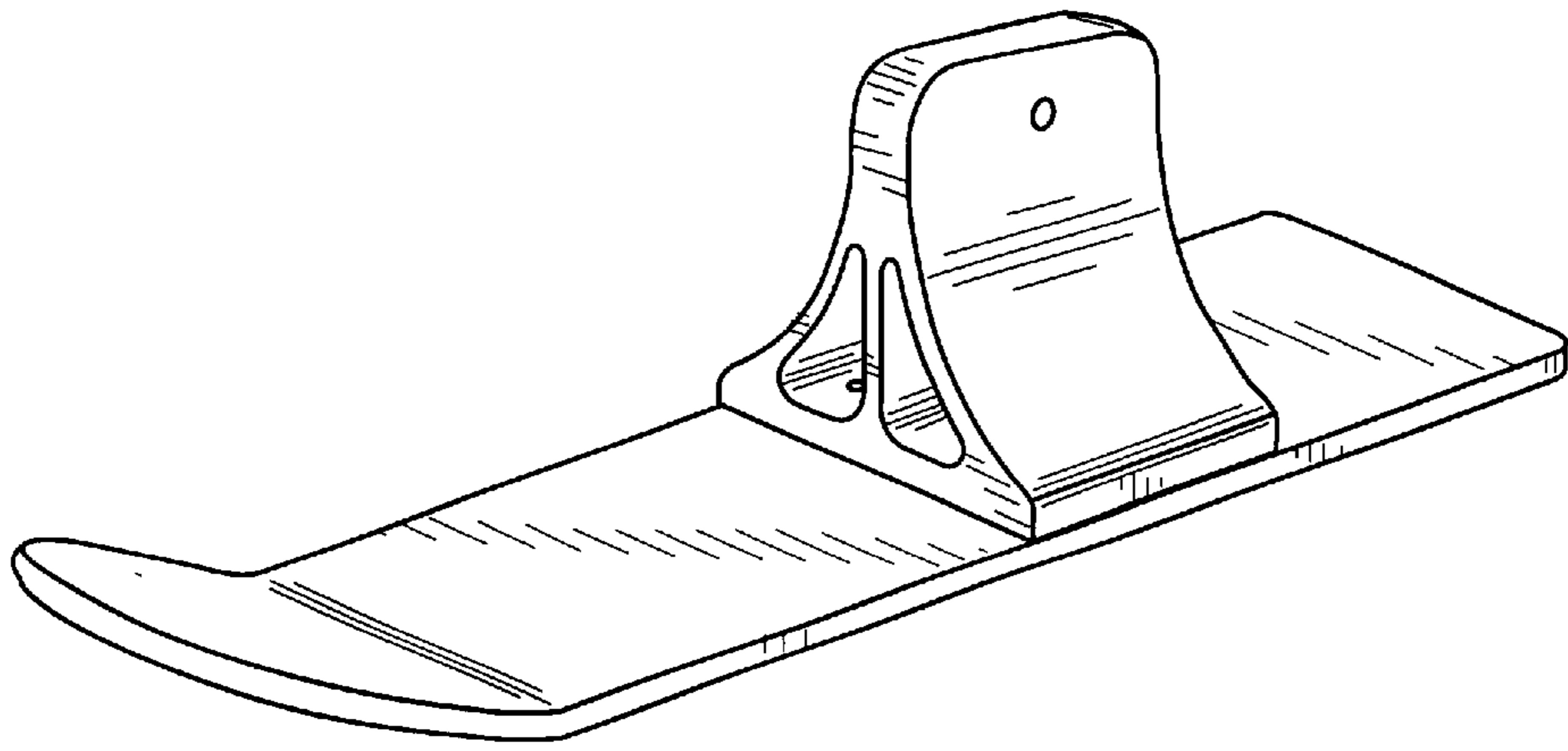


Fig. 8

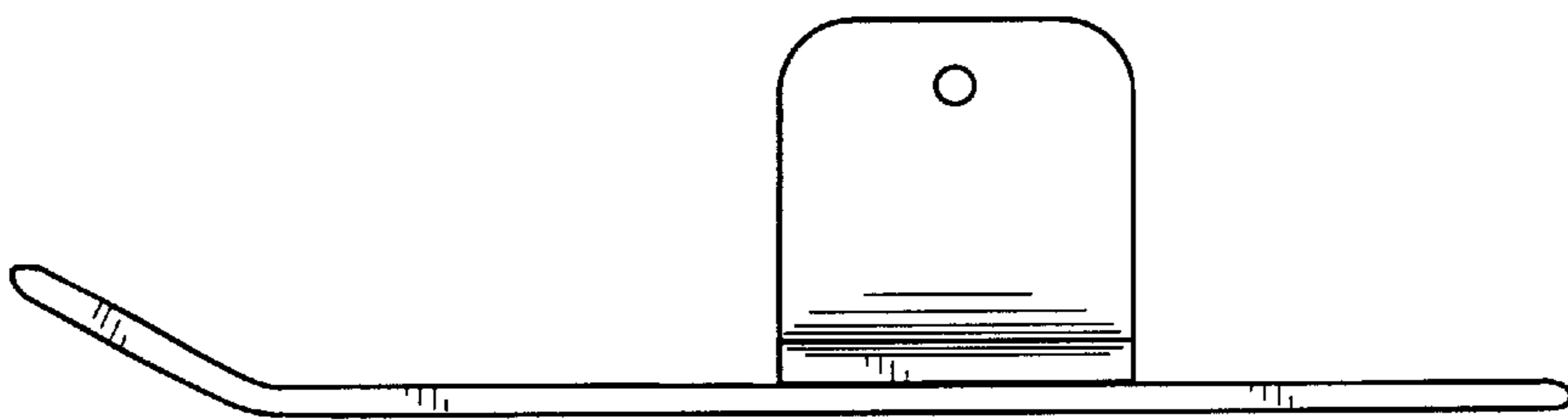


Fig. 9

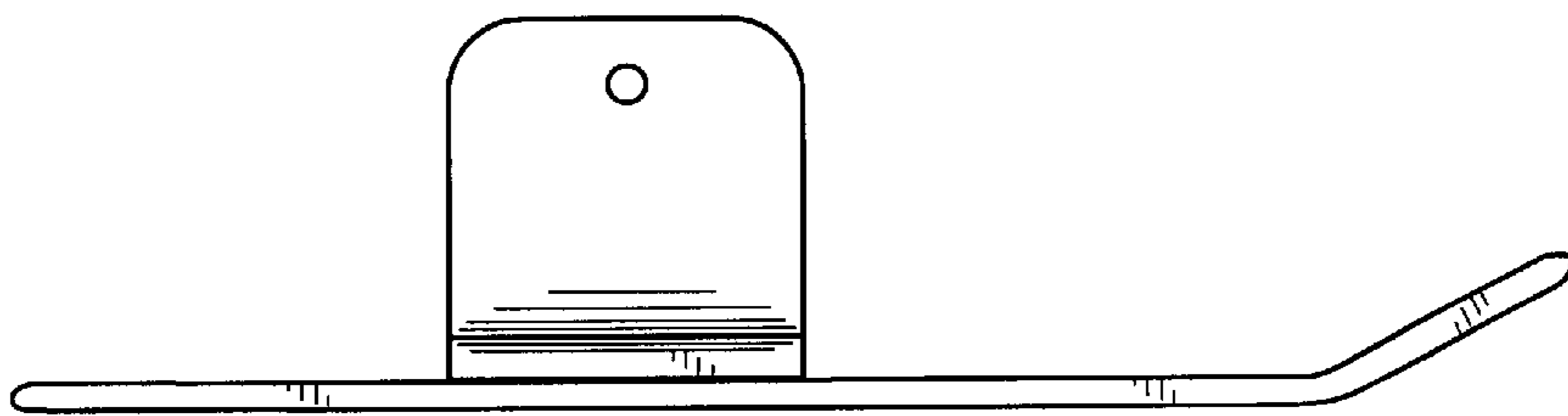


Fig. 10

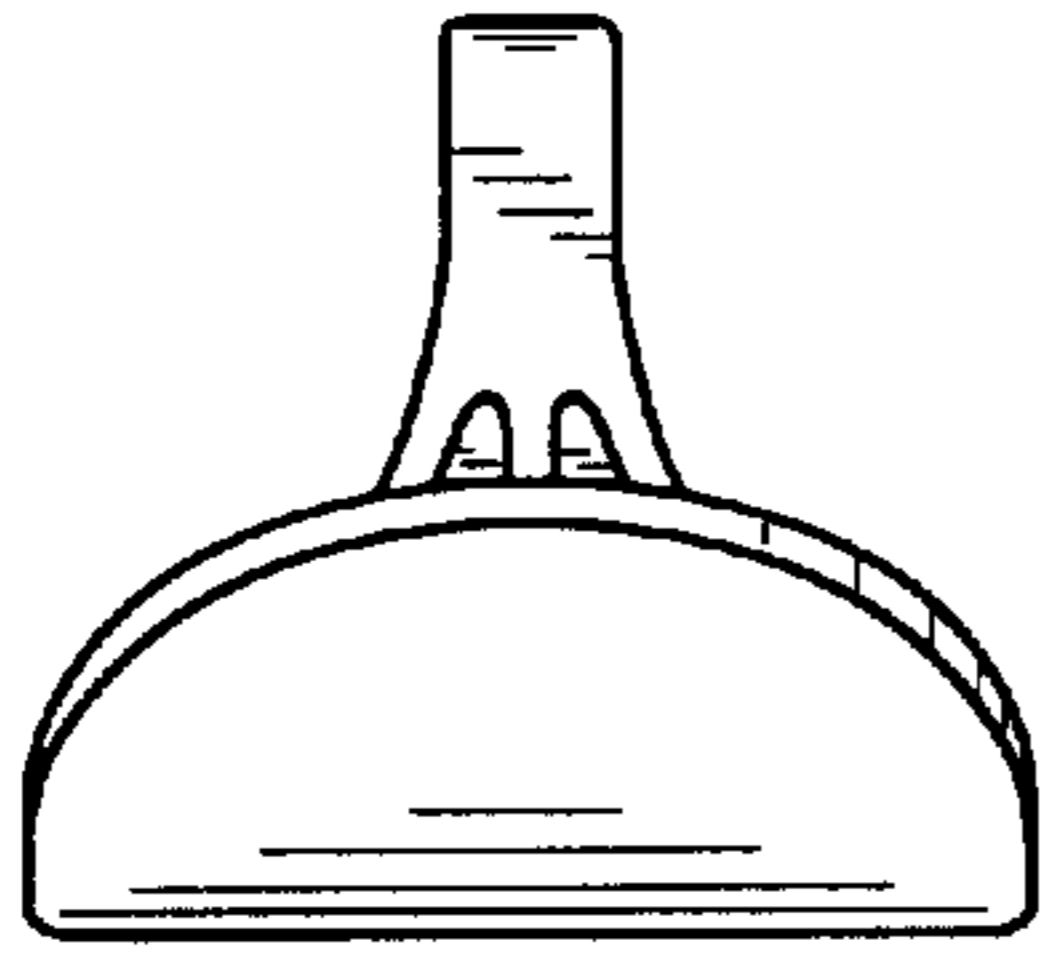


Fig. 11

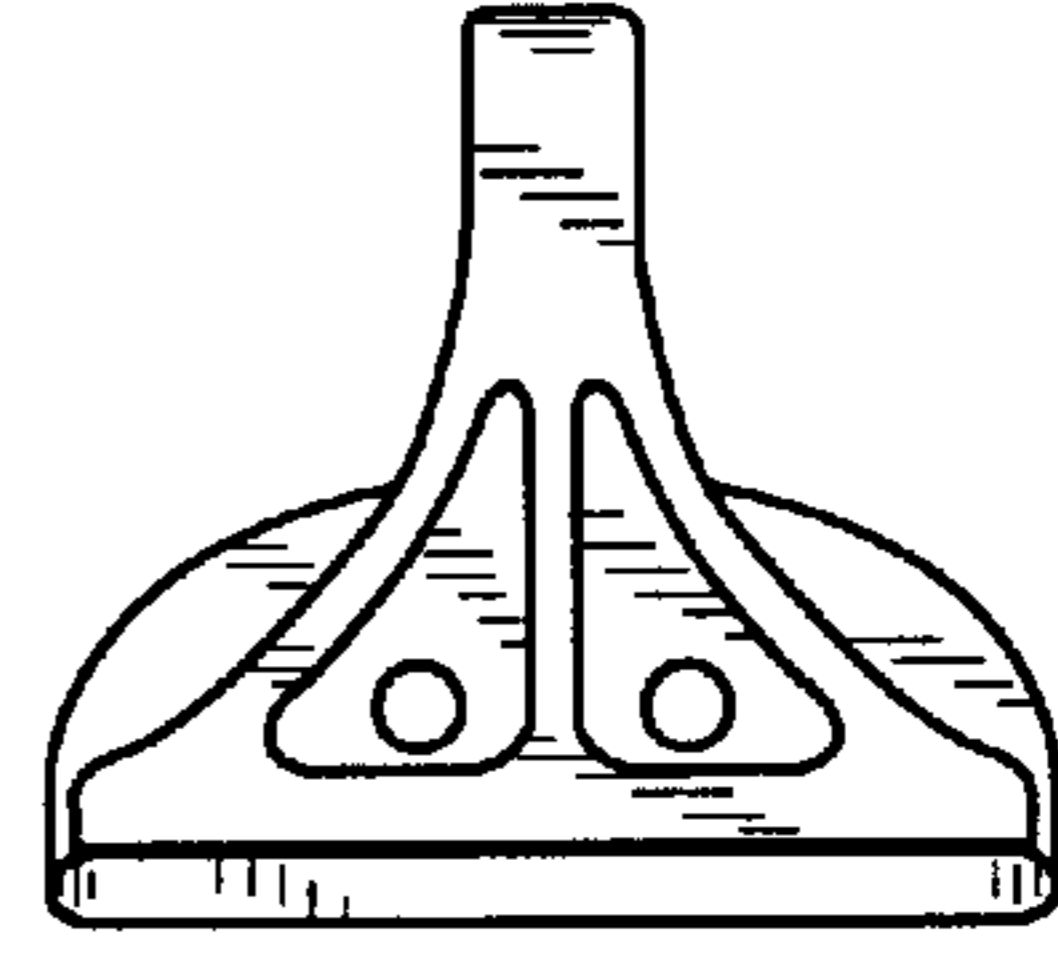


Fig. 12

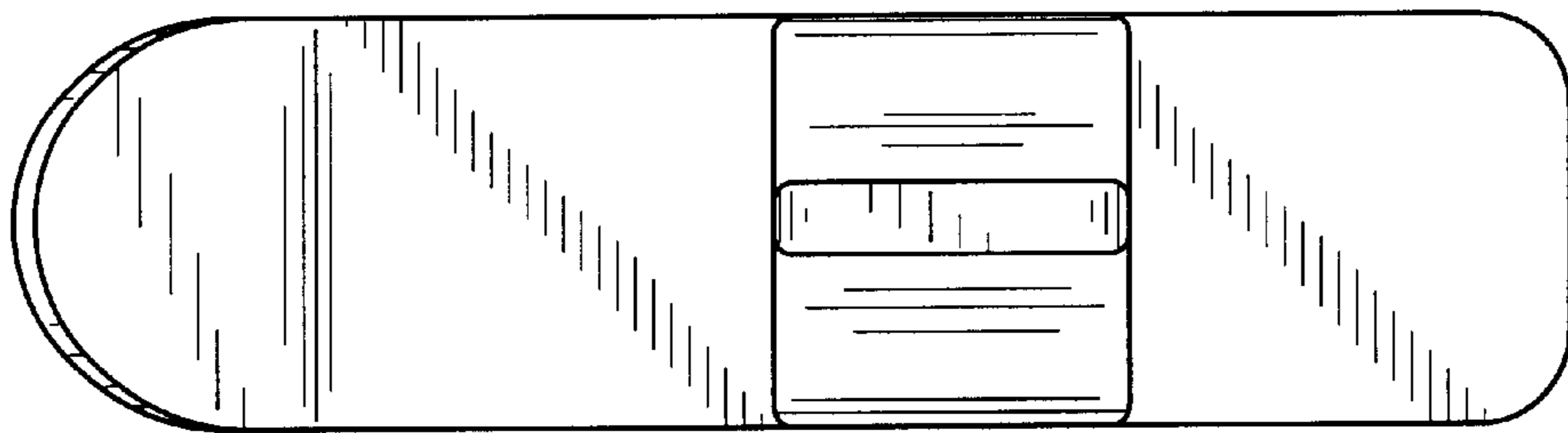


Fig. 13

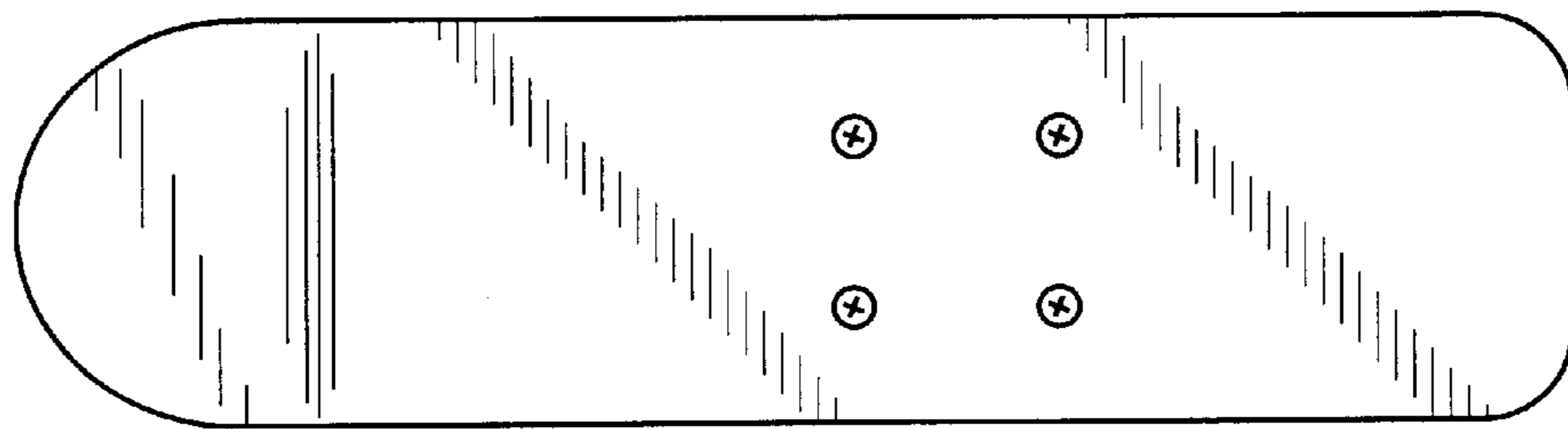


Fig. 14