



US00D449085B1

(12) **United States Design Patent**  
**Breier et al.**

(10) **Patent No.:** **US D449,085 S**

(45) **Date of Patent:** **\*\* Oct. 9, 2001**

(54) **GOLF CLUB PUTTER HEAD HAVING A FACE INSERT**

(75) Inventors: **Joshua G. Breier**, San Marcos;  
**Augustin W. Rollinson**, San Diego;  
**Ronald K. Hettinger**, Oceanside;  
**Larry G. Tang**, Carlsbad, all of CA (US)

(73) Assignee: **Callaway Golf Company**, Carlsbad, CA (US)

(\*\*) Term: **14 Years**

(21) Appl. No.: **29/131,038**

(22) Filed: **Oct. 11, 2000**

(51) **LOC (7) Cl.** ..... **21-02**

(52) **U.S. Cl.** ..... **D21/744**

(58) **Field of Search** ..... D21/736-746;  
473/324, 327-329, 340, 341, 251-256

(56) **References Cited**

**U.S. PATENT DOCUMENTS**

- D. 207,227 \* 3/1967 Solheim ..... D21/739
- D. 207,228 \* 3/1967 Solheim ..... D21/743
- D. 368,126 3/1996 Magerman et al. .
- D. 373,161 8/1996 Schmidt et al. .
- D. 380,246 \* 6/1997 Solheim et al. .... D21/736
- D. 389,207 \* 1/1998 Cameron ..... D21/742
- D. 402,343 \* 12/1998 Helstetter et al. .... D21/738
- D. 408,881 4/1999 Solheim et al. .
- D. 410,267 \* 5/1999 Solheim et al. .... D21/736
- D. 411,271 \* 6/1999 Nelson ..... D21/738

- D. 426,599 \* 6/2000 Morgan et al. .... D21/736
- D. 428,086 \* 7/2000 Solheim ..... D21/743
- D. 429,297 \* 8/2000 Hettinger ..... D21/744
- D. 438,273 \* 2/2001 Sizemore et al. .... D21/736
- 1,320,163 10/1919 Maurice .
- 1,525,352 2/1925 Aitkin .
- 1,535,270 4/1925 Tyler .
- 1,543,691 6/1925 Beat .
- 1,840,451 1/1932 Jansky .
- 2,034,936 3/1936 Barnhart .
- 2,534,947 12/1950 Bright .

(List continued on next page.)

**FOREIGN PATENT DOCUMENTS**

- 0891790 A2 7/1998 (EP) .
- 09037121 8/1998 (JP) .

*Primary Examiner*—Mitchell Siegel

(74) *Attorney, Agent, or Firm*—Michael A. Catania

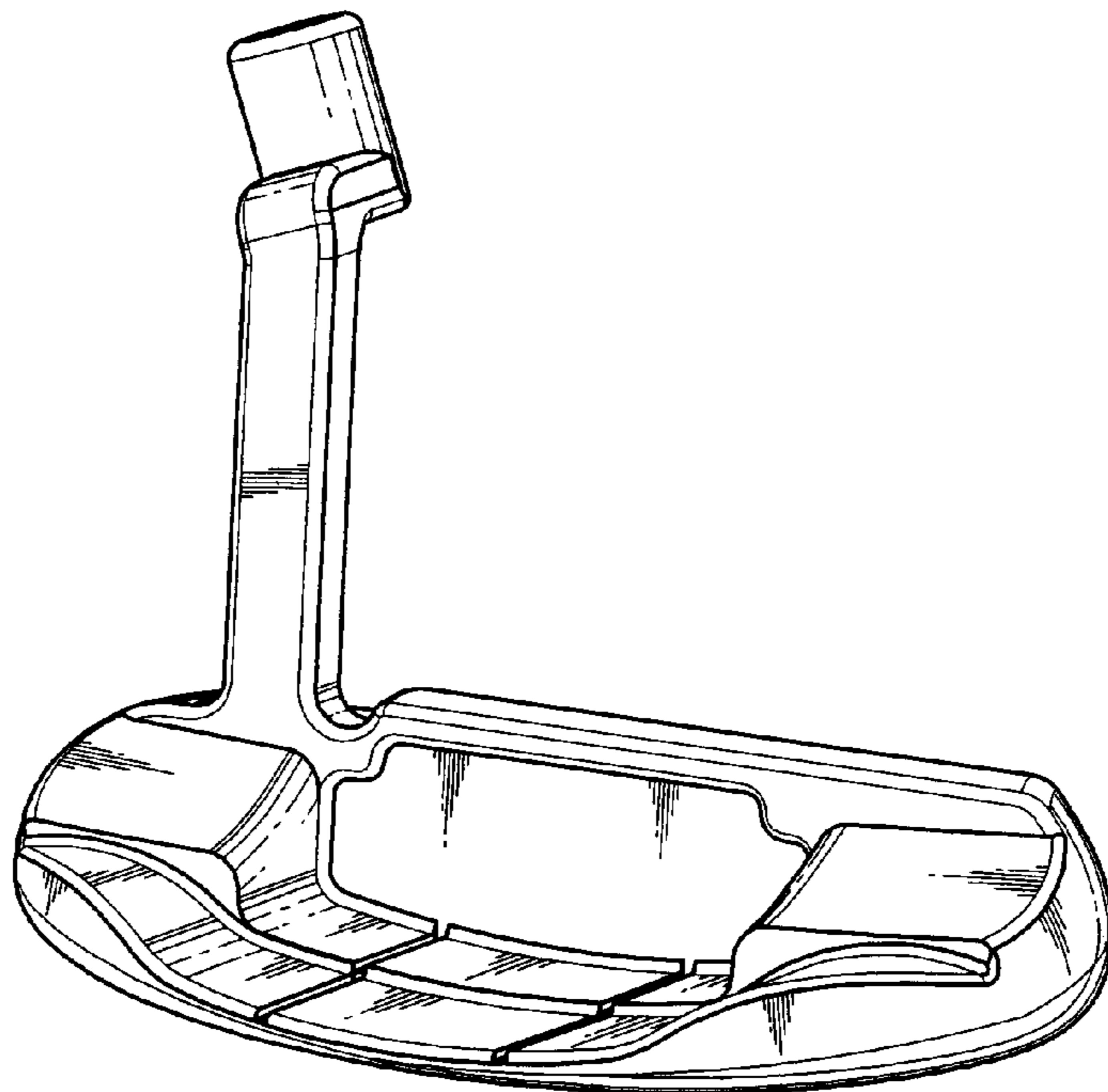
(57) **CLAIM**

The ornamental design for a golf club putter head having a face insert, as shown and described.

**DESCRIPTION**

FIG. 1 is a perspective view of a golf club putter head having a face insert;  
FIG. 2 is a front view thereof;  
FIG. 3 is a top plan view thereof;  
FIG. 4 is a rear view thereof;  
FIG. 5 is a toe end view thereof; and  
FIG. 6 is a heel end view thereof; and,  
FIG. 7 is a bottom plan view thereof.

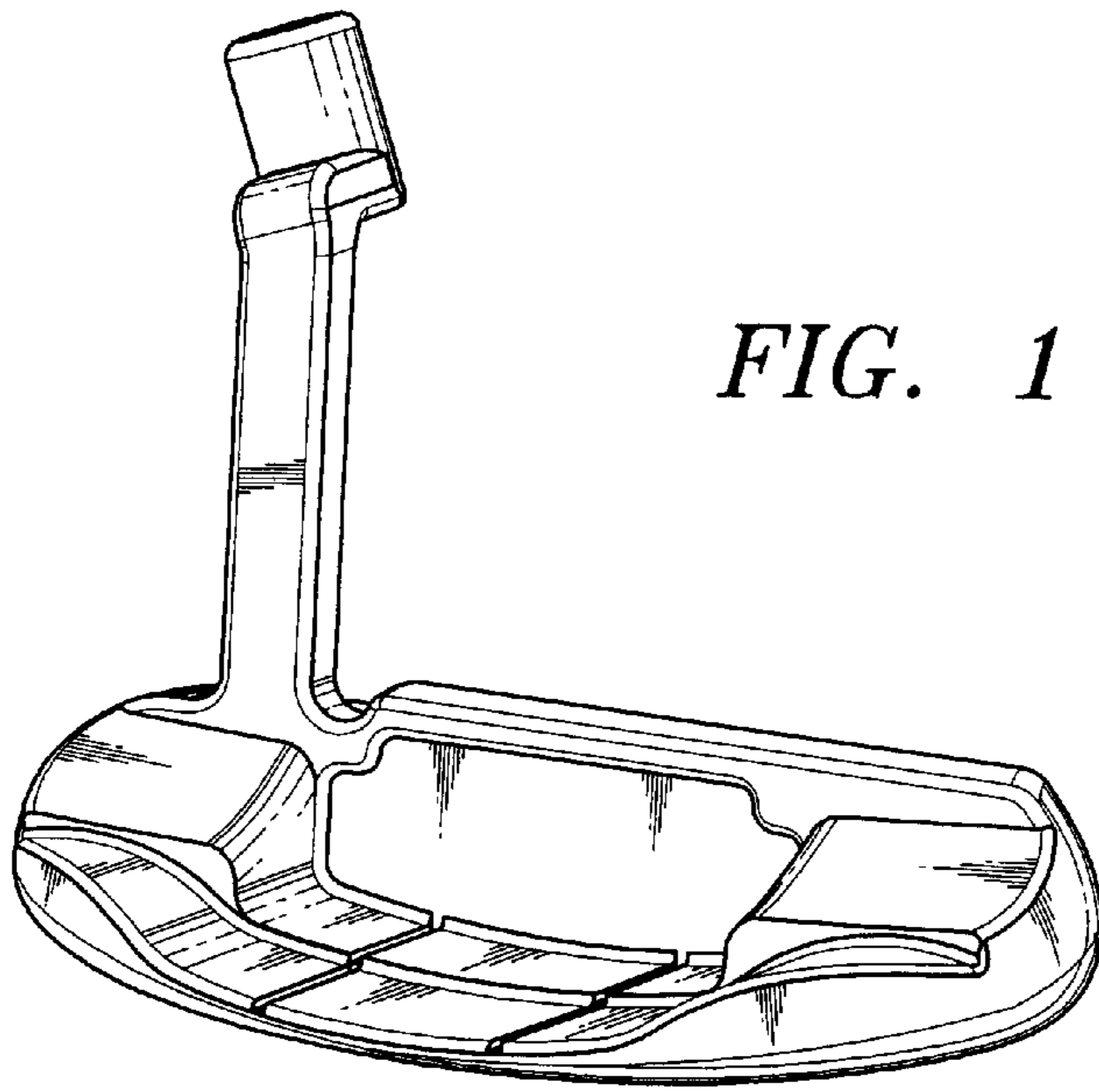
**1 Claim, 2 Drawing Sheets**



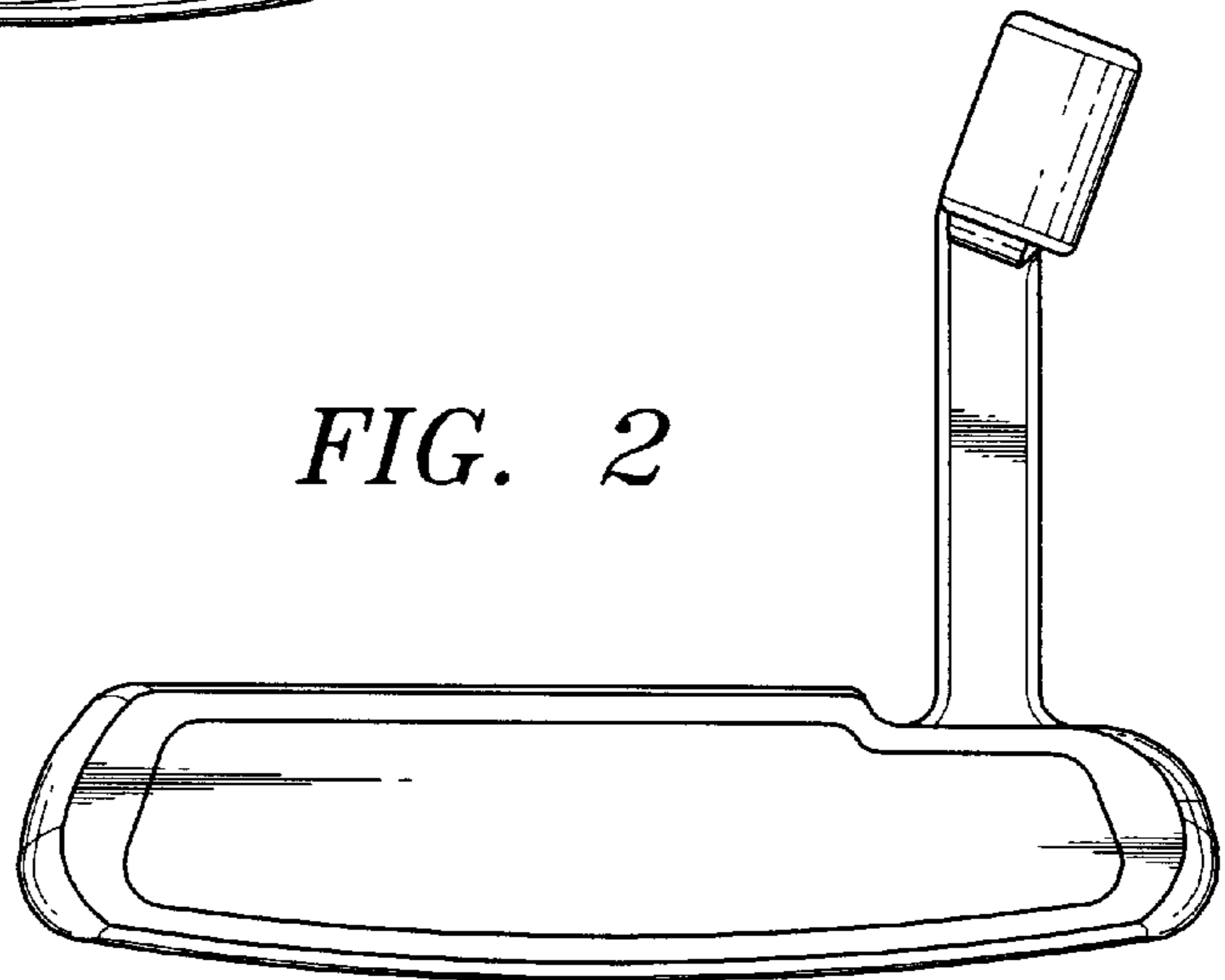
## U.S. PATENT DOCUMENTS

3,064,980	11/1962	Steiner .	5,354,059	10/1994	Stuff .
3,547,445	12/1970	Hardesty .	5,358,249	10/1994	Mendralla .
3,567,228	3/1971	Lynn .	5,405,136	4/1995	Hardman .
3,571,900	3/1971	Hardesty .	5,405,137	4/1995	Vincent et al. .
3,659,855	5/1972	Hardesty .	5,417,419	5/1995	Anderson et al. .
3,937,474	2/1976	Jepson et al. .	5,439,223	8/1995	Kobayashi .
3,975,023	8/1976	Inamori .	5,447,311	9/1995	Viollaz et al. .
3,989,248	11/1976	Campau .	5,458,332	10/1995	Fisher .
4,121,832	10/1978	Ebbing .	5,460,377	10/1995	Schmidt et al. .
4,252,262	2/1981	Igarashi .	5,464,212	11/1995	Cook .
4,326,716	4/1982	Lacoste .	5,485,997	1/1996	Schmidt et al. .
4,422,638	12/1983	Tucker .	5,524,331	6/1996	Pond .
4,451,042	5/1984	Hayashi et al. .	5,542,675	8/1996	MicCiche et al. .
4,540,178	9/1985	Johnson et al. .	5,570,886	11/1996	Rigal et al. .
4,607,846	8/1986	Perkins .	5,575,472	11/1996	Magerman et al. .
4,792,140	12/1988	Yamaguchi et al. .	5,586,947	12/1996	Hutin .
4,801,146	1/1989	Honma .	5,605,510	2/1997	Schmidt et al. .
4,804,188	2/1989	McKee et al. .	5,674,132	10/1997	Fisher .
4,812,187	3/1989	Honma .	5,690,562	11/1997	Sturm .
4,884,812	12/1989	Nagasaki et al. .	5,713,800	2/1998	Su .
5,078,398	1/1992	Reed et al. .	5,743,813	4/1998	Chen et al. .
5,176,383	1/1993	Duclos .	5,766,093	6/1998	Rohrer .
5,178,392	1/1993	Santioni .	5,766,094	6/1998	Mahaffey et al. .
5,198,062	3/1993	Chen .	5,776,010	7/1998	Helmstetter et al. .
5,277,423	1/1994	Hutinartus .	5,816,936	10/1998	Aizawa et al. .
5,299,807	4/1994	Hutin .	5,842,935	12/1998	Nelson .
5,301,941	4/1994	Allen .	5,921,871	7/1999	Fisher .
5,303,922	4/1994	Lo .	5,924,939	7/1999	Grace et al. .
5,316,298	5/1994	Huntin et al. .	5,931,743	8/1999	Baker et al. .
5,342,812	8/1994	Niskanen et al. .	5,944,619	8/1999	Cameron .
5,346,216	9/1994	Aizawa .	5,951,412	9/1999	Rose et al. .

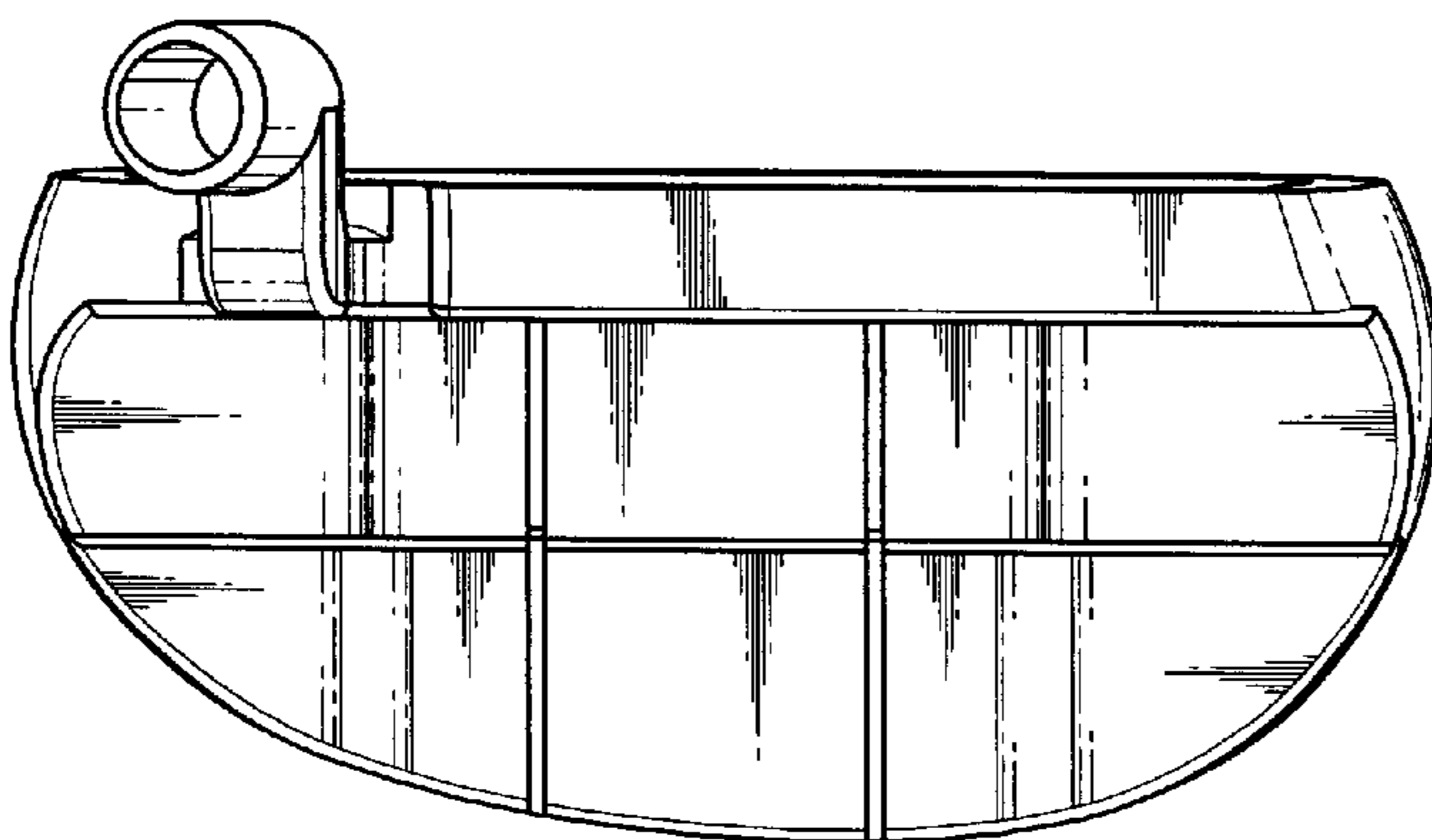
\* cited by examiner



*FIG. 1*



*FIG. 2*



*FIG. 3*

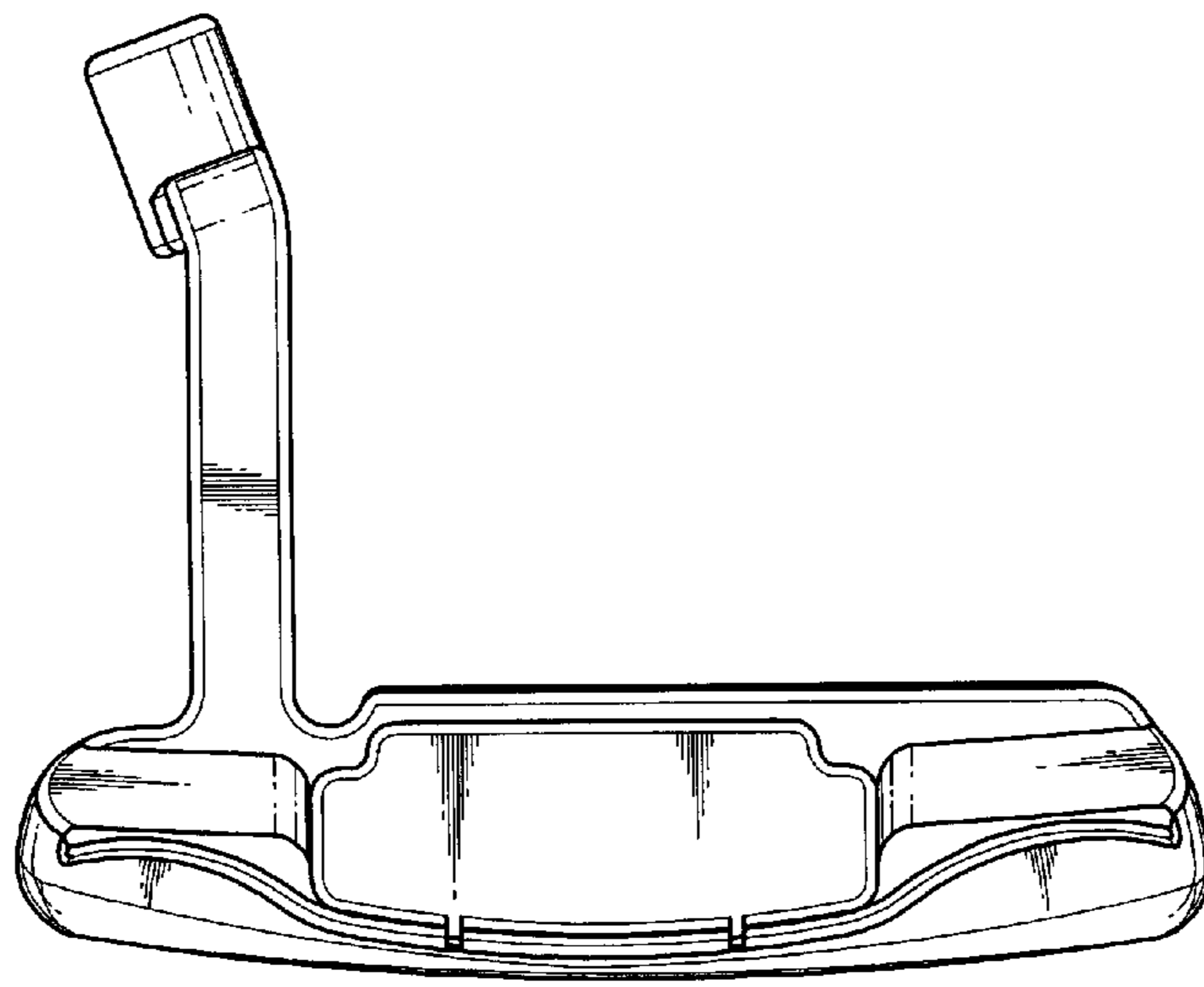


FIG. 4

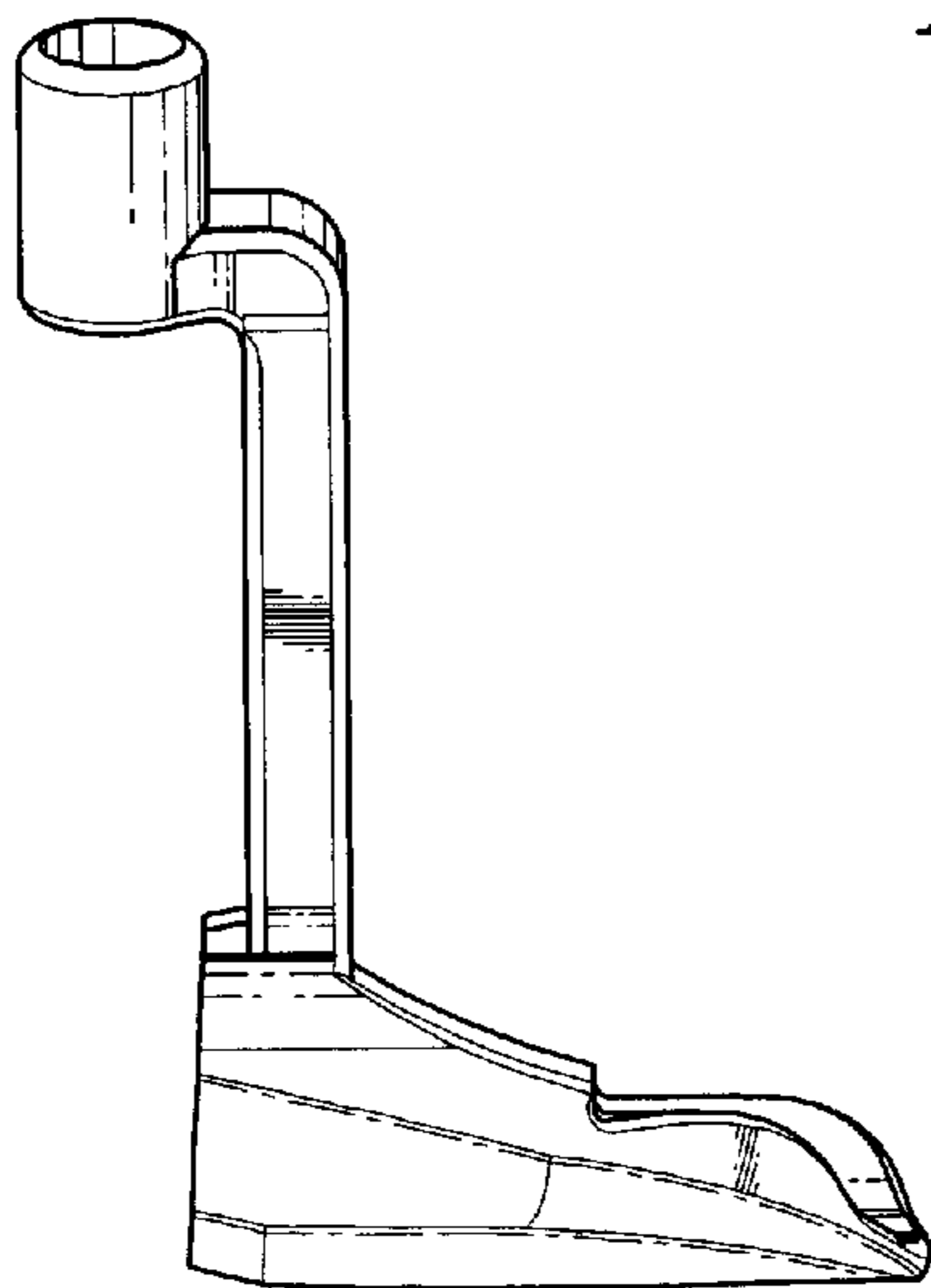


FIG. 5

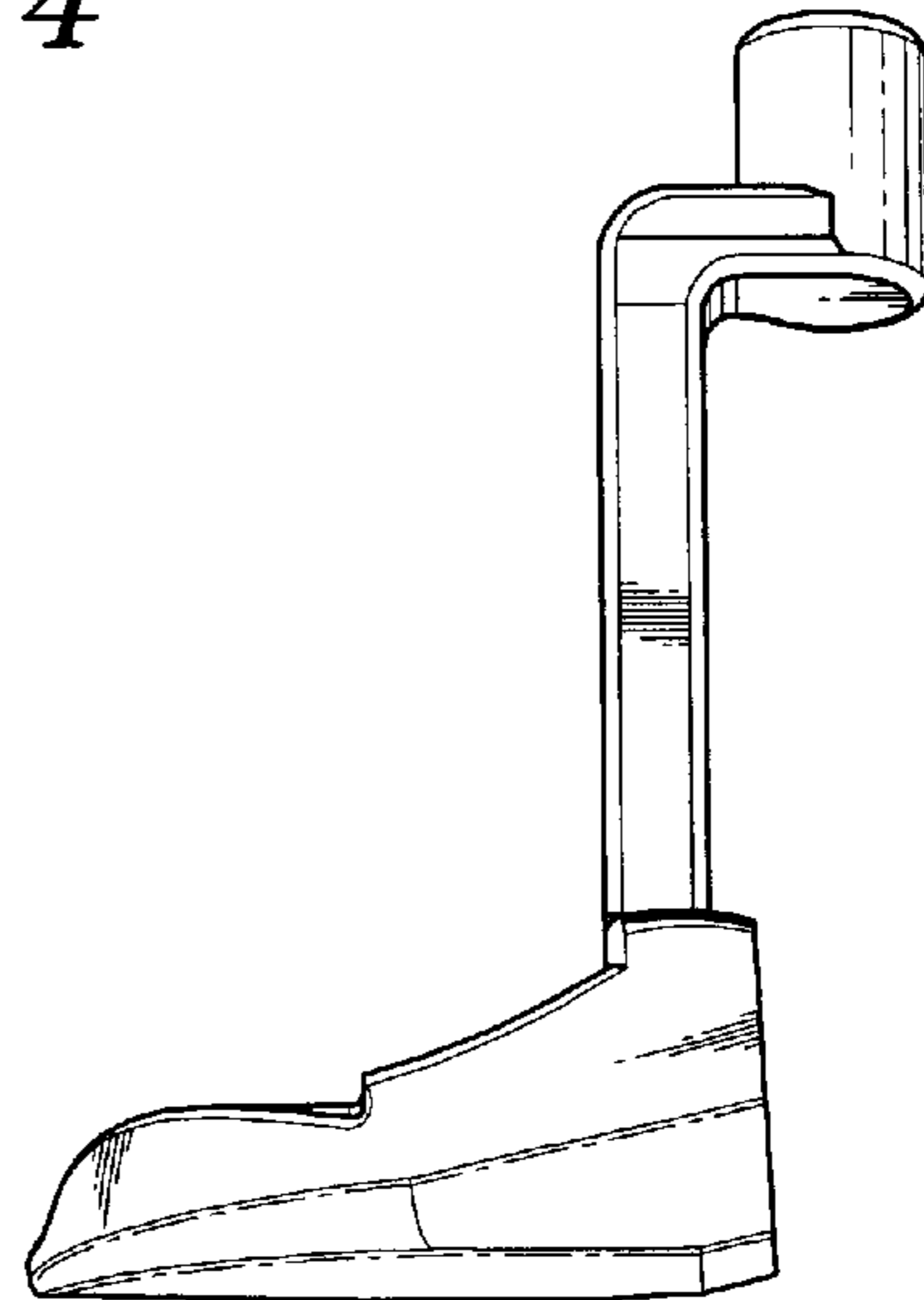


FIG. 6

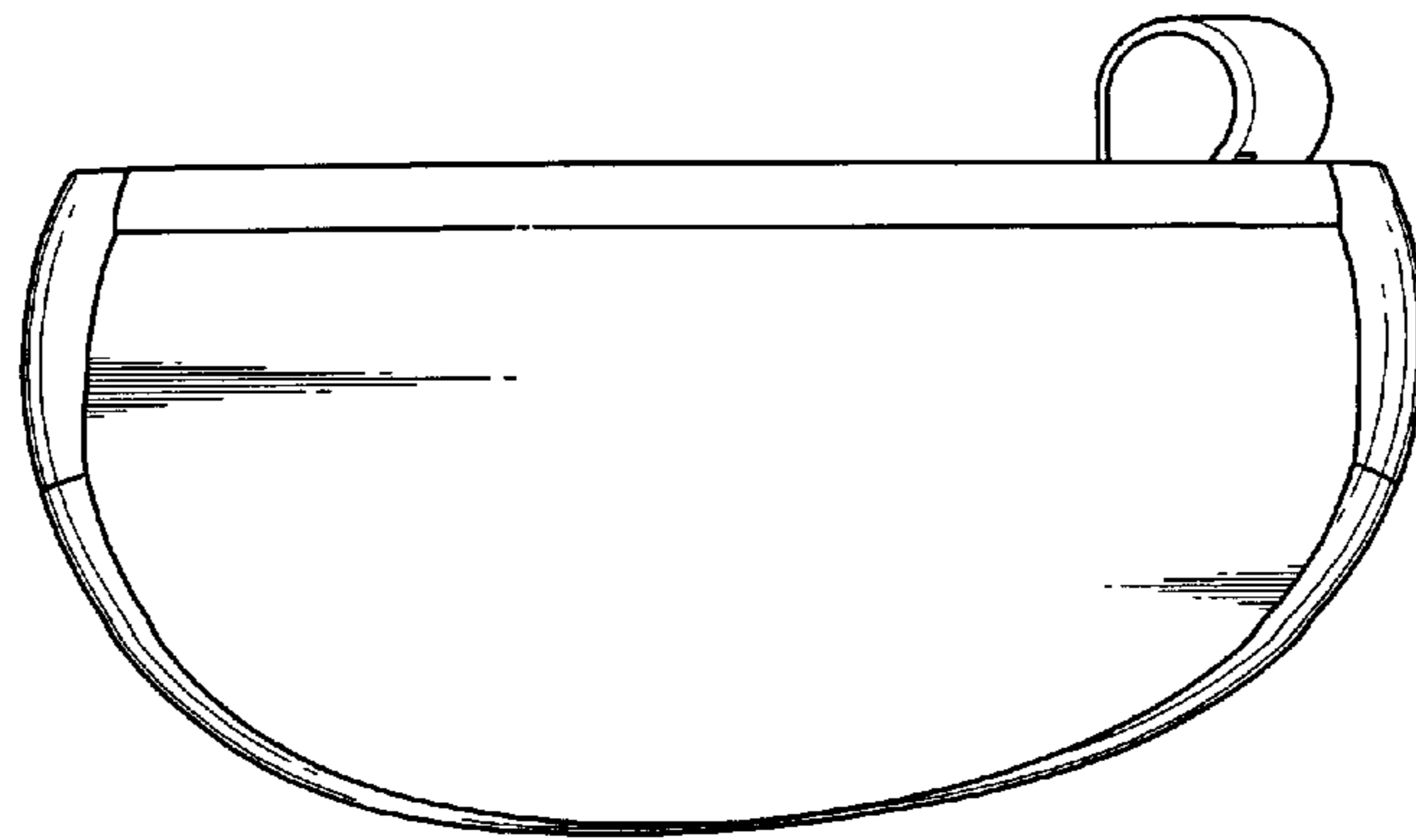


FIG. 7