



US00D449084B1

(12) **United States Design Patent**  
**Walters**

(10) **Patent No.:** **US D449,084 S**

(45) **Date of Patent:** **\*\* Oct. 9, 2001**

(54) **NET**

(75) **Inventor:** **Daniel Walters, St. Davids (CA)**

(73) **Assignee:** **Sports Netz (Niagara) Limited, St. Davids (CA)**

(\*\*) **Term:** **14 Years**

(21) **Appl. No.:** **29/124,069**

(22) **Filed:** **May 30, 2000**

(51) **LOC (7) Cl.** ..... **21-02**

(52) **U.S. Cl.** ..... **D21/705**

(58) **Field of Search** ..... **D21/698, 699, D21/705, 790, 991; 473/476, 478-495**

(56) **References Cited**

**U.S. PATENT DOCUMENTS**

D. 222,978	*	2/1972	Vinas	.....	D21/705
D. 241,151	*	8/1976	Covino	.....	D21/705
D. 359,538	*	6/1995	Hague	.....	D21/705
D. 390,292	*	2/1998	Hoag	.....	D21/705

\* cited by examiner

*Primary Examiner*—Dominic Simone

(74) *Attorney, Agent, or Firm*—Eugene J. A. Gierczak

(57) **CLAIM**

The ornamental design for the “net”, as shown and described.

**DESCRIPTION**

FIG. 1 is a front perspective view of a net showing my new design, the frame shown in broken lines for illustrative purposes only and forms no part of the claimed design;

FIG. 2 is a front elevational view of a second embodiment of FIG. 1;

FIG. 3 is a side view of the net on a larger scale, the net partially broken away for ease of illustration and the frame shown in broken lines for illustrative purposes only and forms no part of the claimed design;

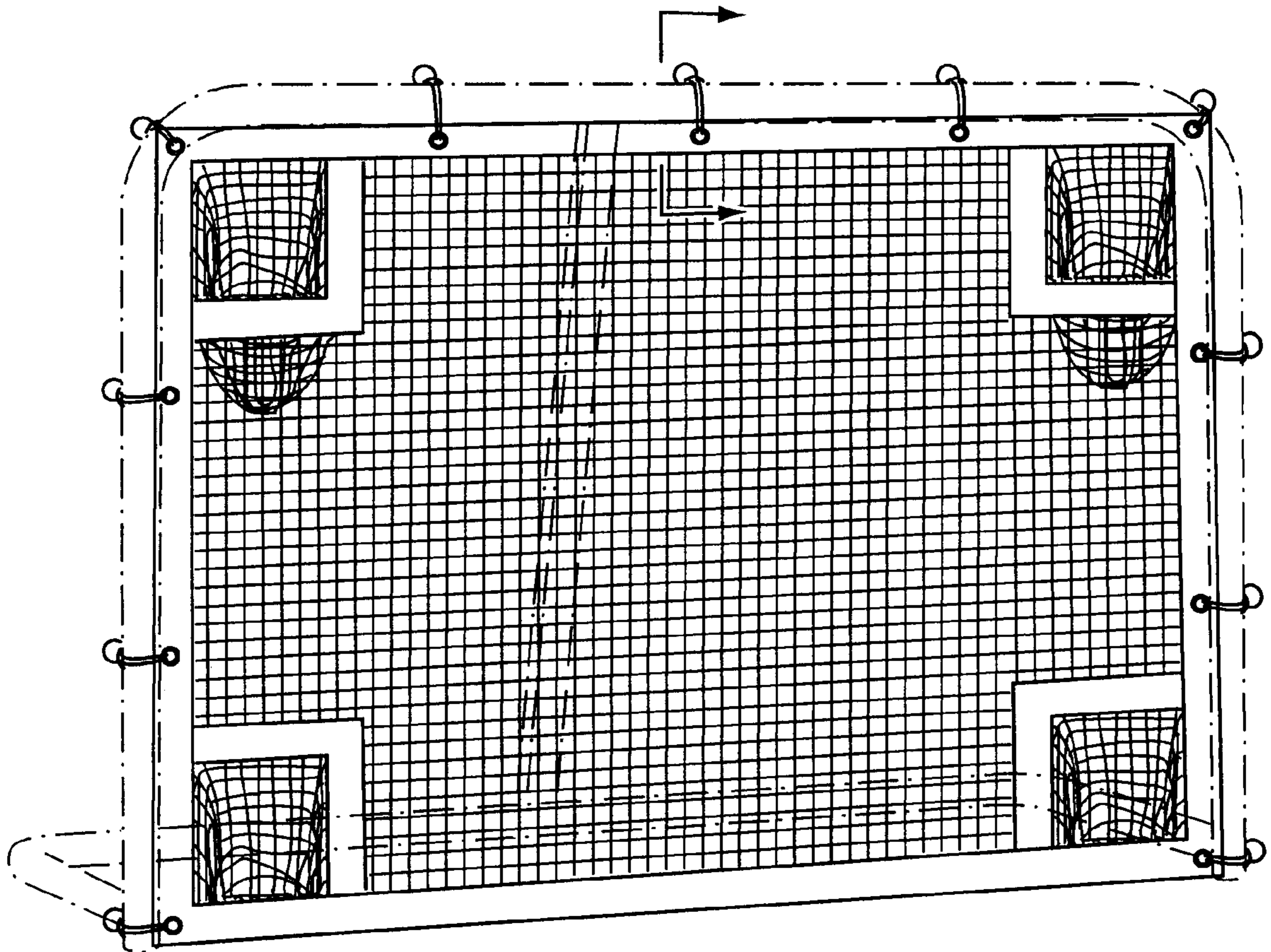
FIG. 4 is a perspective view of FIG. 3;

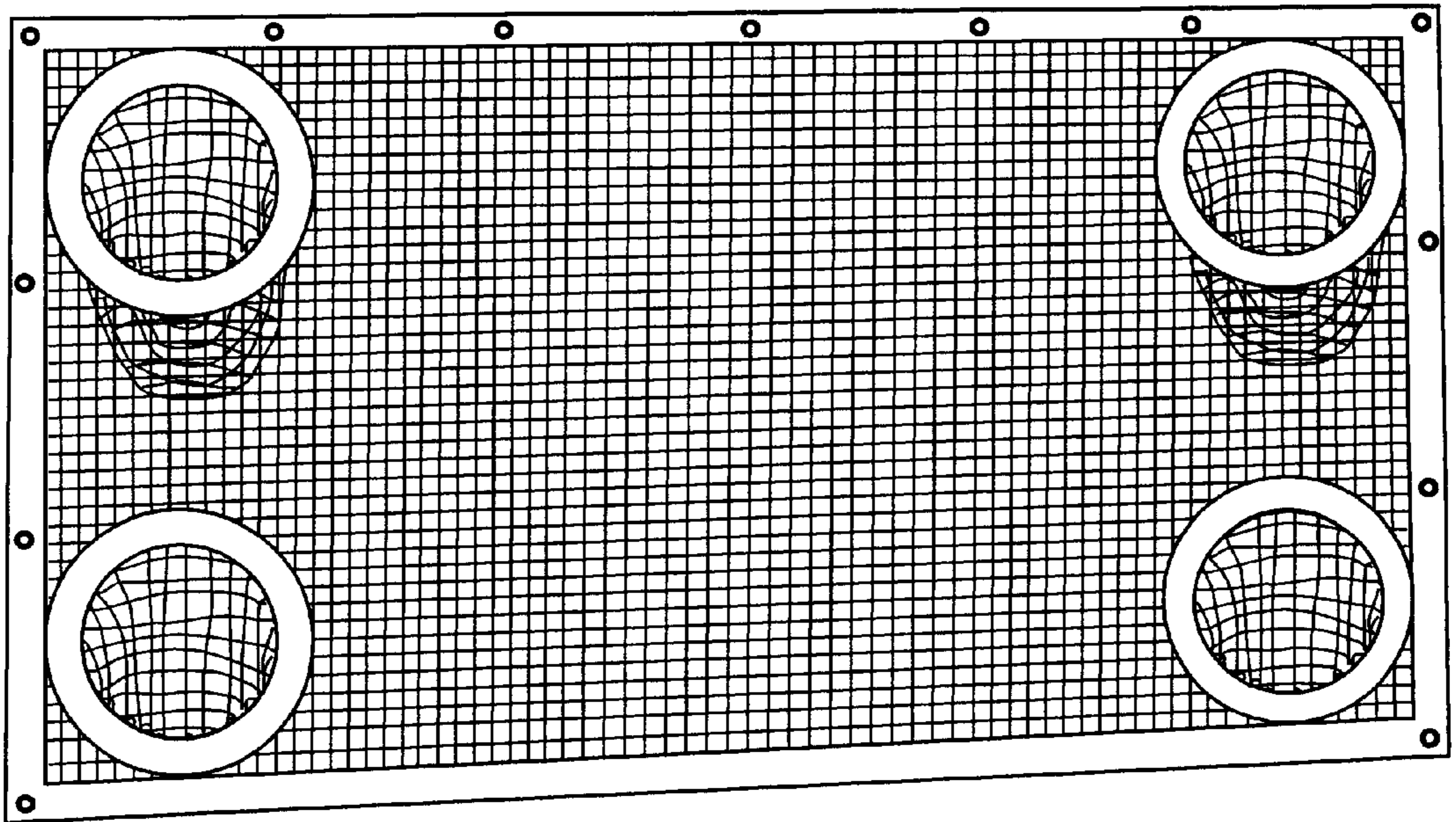
FIG. 5 is a front view of FIG. 1, the net partially broken away for ease of illustration and the frame and hockey puck shown in broken lines for illustrative purposes only and forms no part of the claimed design;

FIG. 6 is a cross-sectional view of FIG. 5, showing the net in use; and,

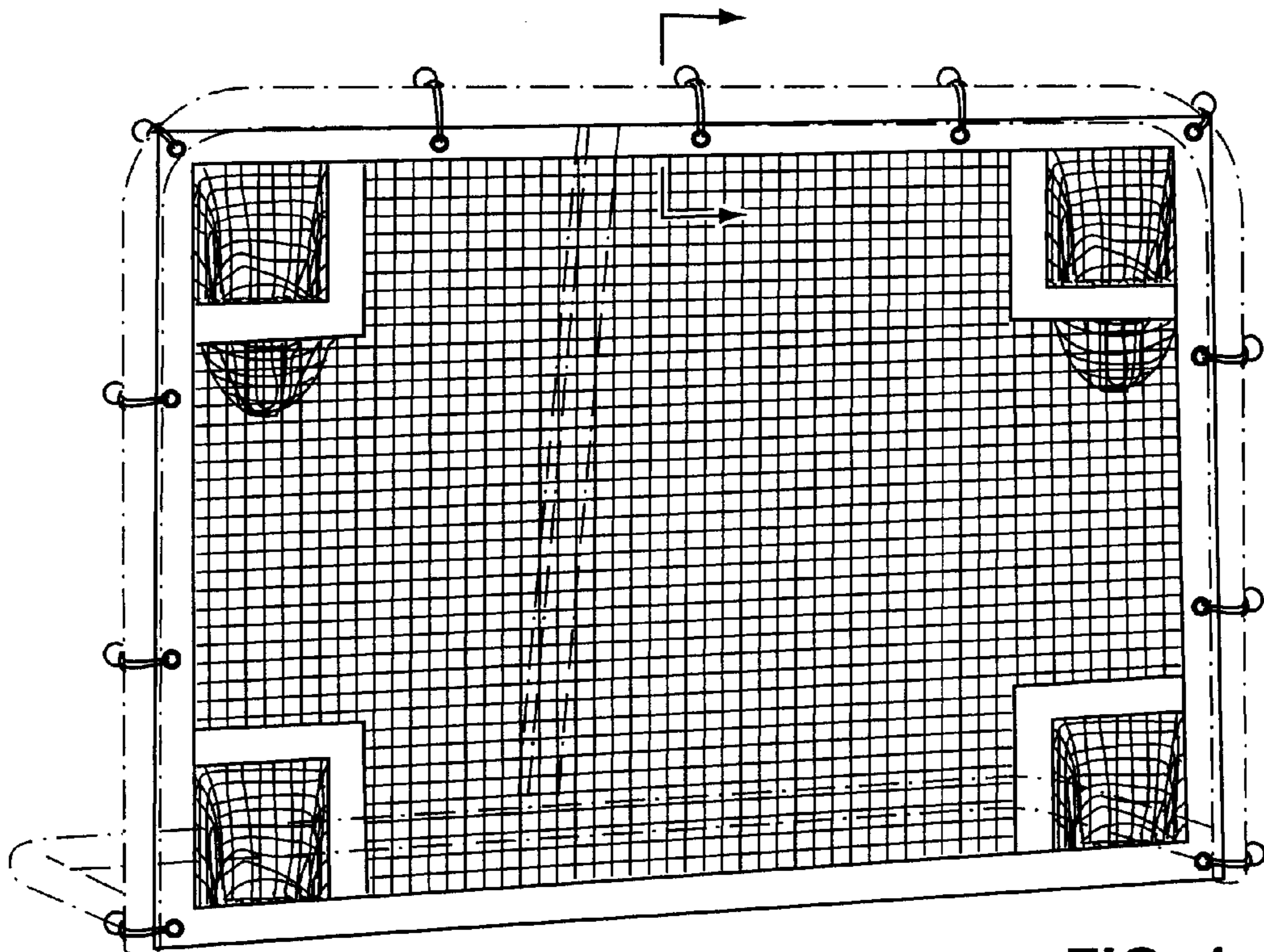
FIG. 7 is a cross-sectional view of FIG. 5, showing the net in use.

**1 Claim, 2 Drawing Sheets**

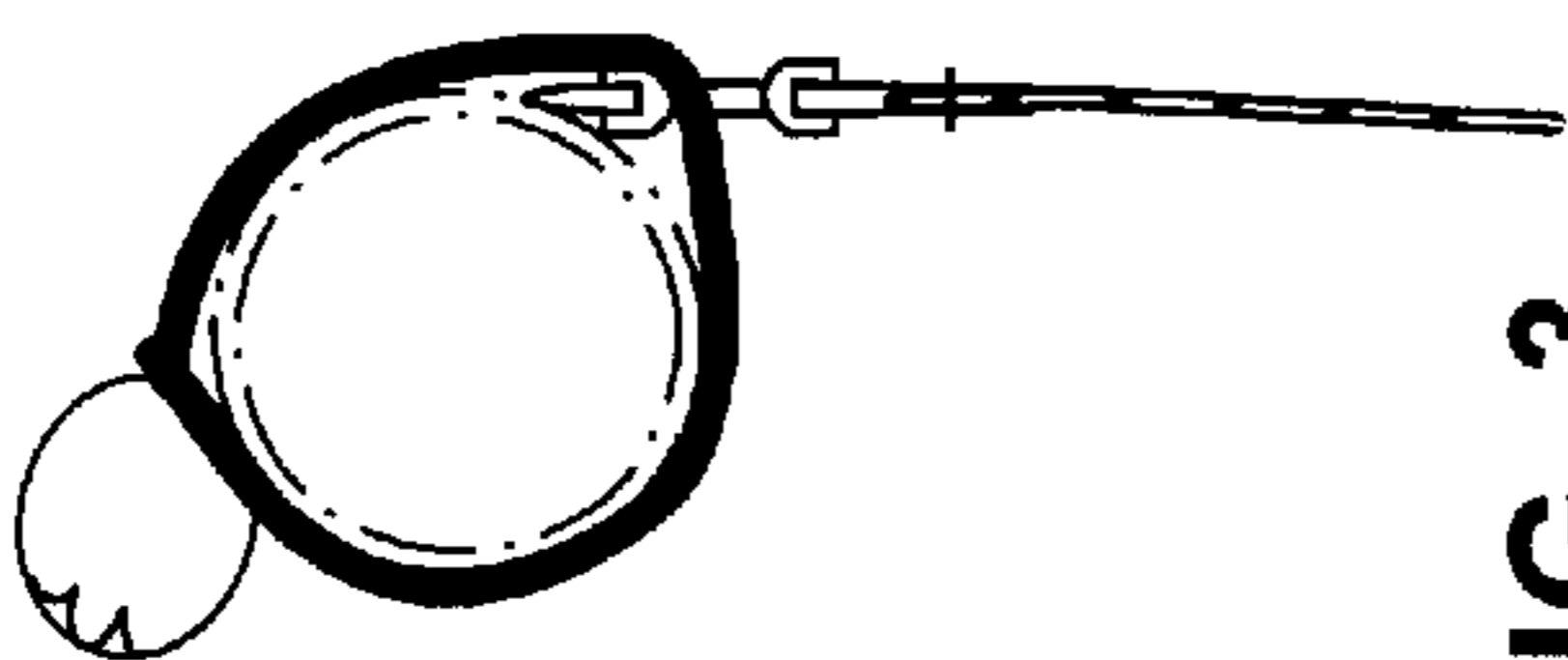




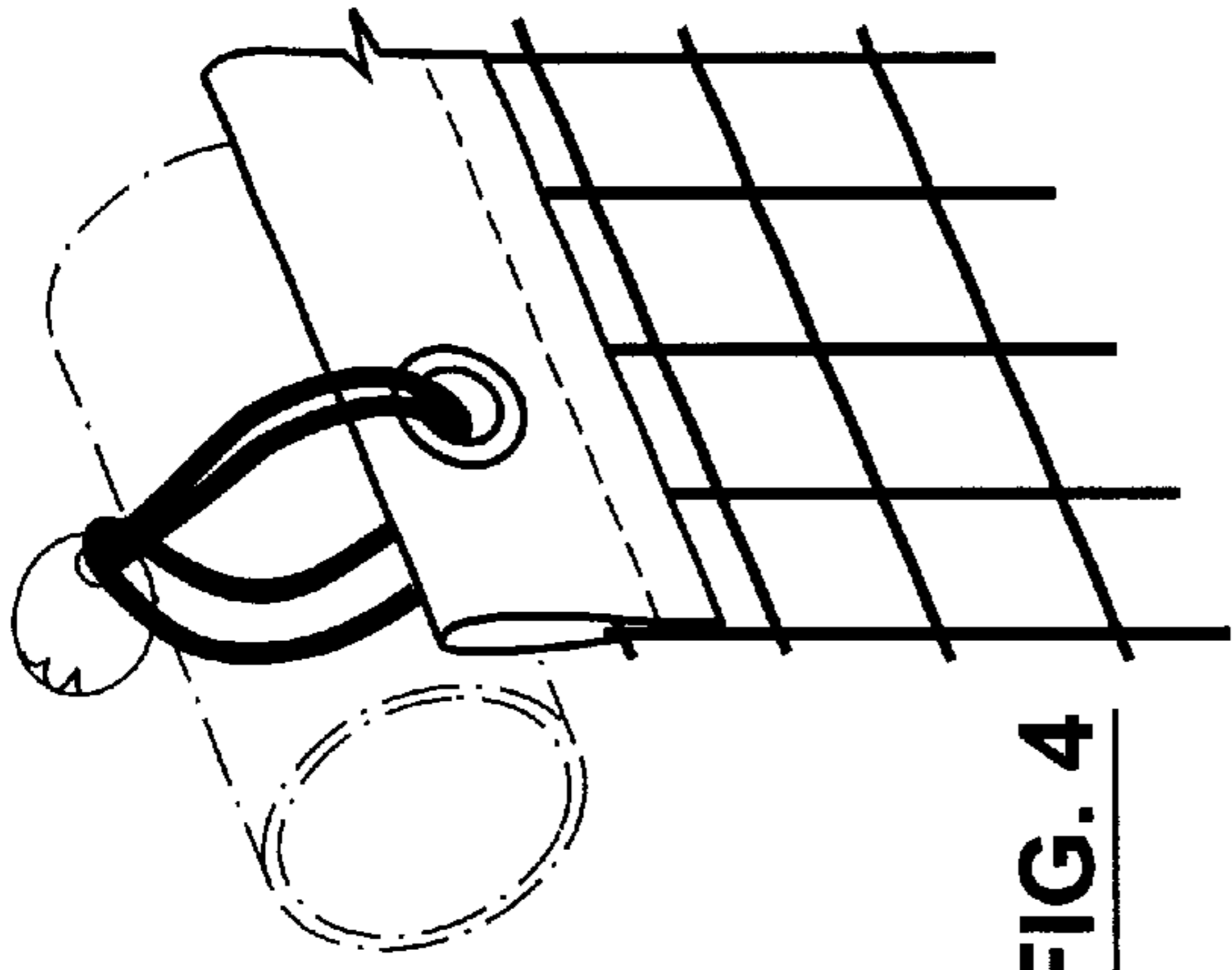
**FIG. 2**



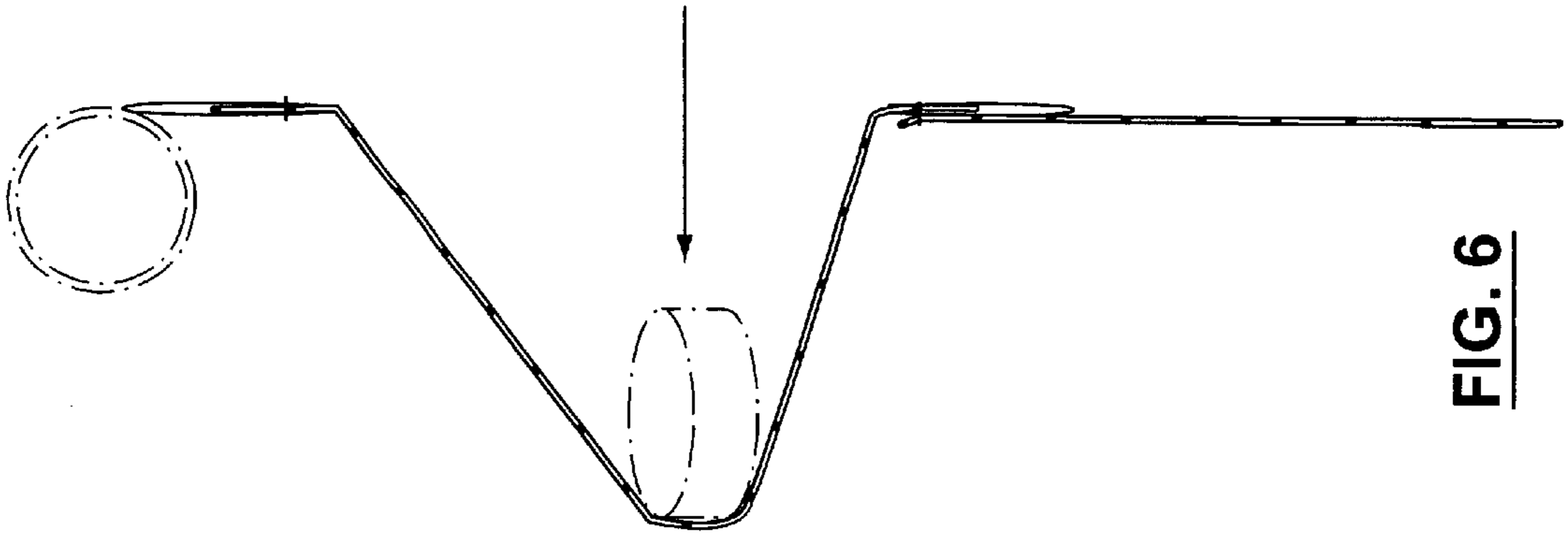
**FIG. 1**



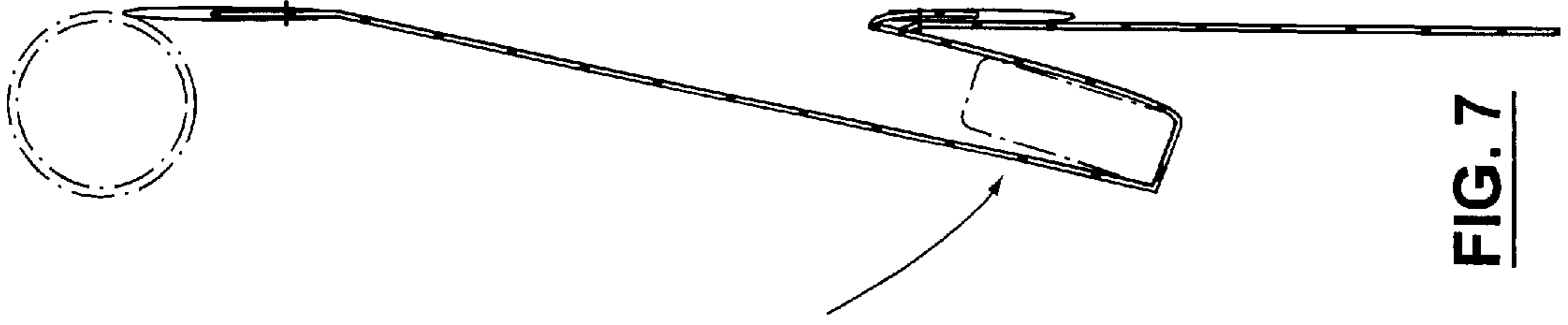
**FIG. 3**



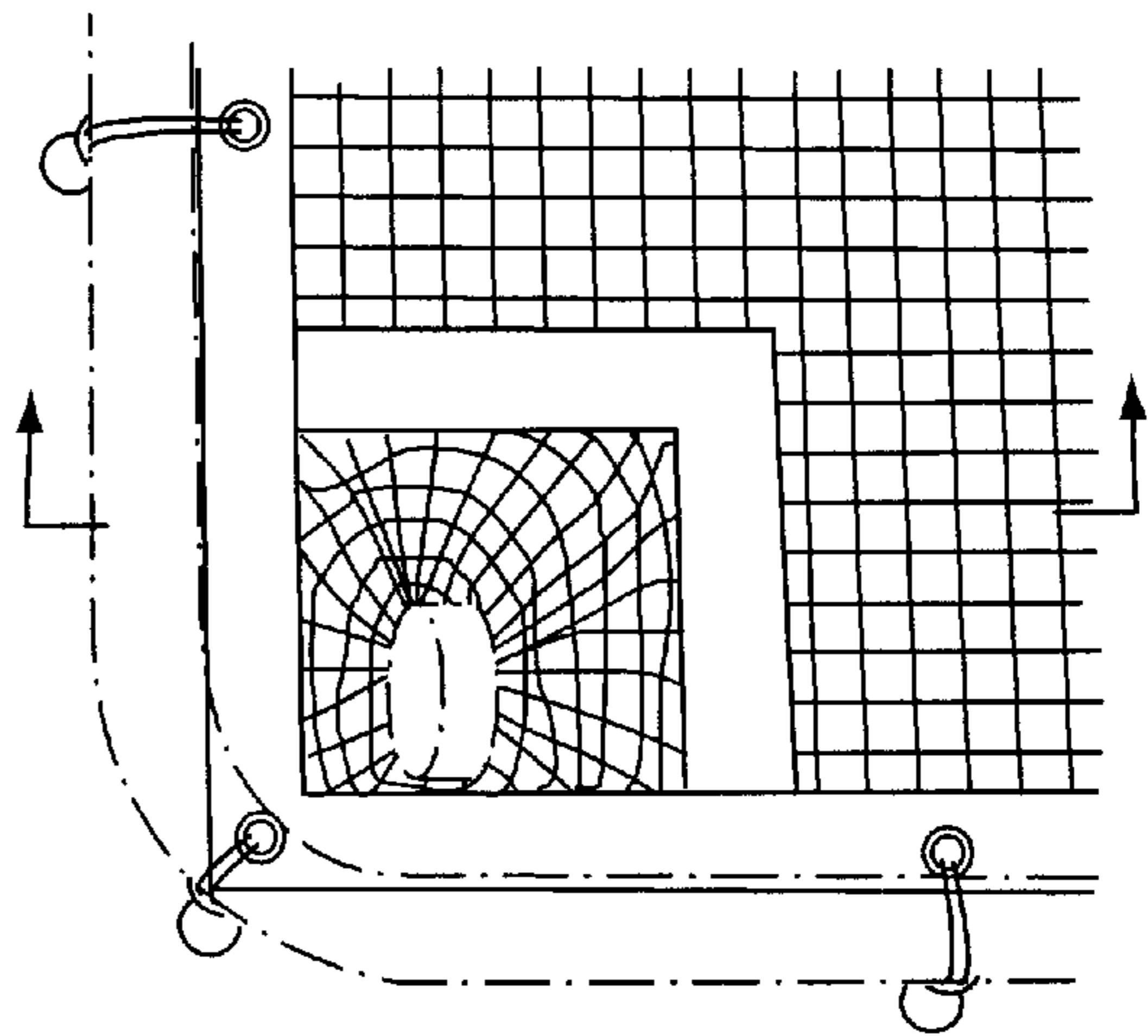
**FIG. 4**



**FIG. 5**



**FIG. 6**



**FIG. 7**