



US00D449071B1

(12) **United States Design Patent**  
**Kirita**

(10) **Patent No.:** **US D449,071 S**

(45) **Date of Patent:** **\*\* Oct. 9, 2001**

(54) **TIP FOR A MARKING PEN**

FOREIGN PATENT DOCUMENTS

(75) Inventor: **Kazuhisa Kirita**, Gunma-ken (JP)  
(73) Assignee: **Mitsubishi Pencil Co., Ltd.**, Tokyo (JP)  
(\*\*) Term: **14 Years**

63-302096 12/1988 (JP) .  
8-25353 3/1996 (JP) .  
9-207486 8/1997 (JP) .  
2000-52682 2/2000 (JP) .

\* cited by examiner

*Primary Examiner*—Martie K. Holtje  
(74) *Attorney, Agent, or Firm*—Foley & Lardner

(21) Appl. No.: **29/129,147**  
(22) Filed: **Sep. 8, 2000**

(57) **CLAIM**

(30) **Foreign Application Priority Data**

The ornamental design for a tip for a marking pen, as shown and described.

Mar. 8, 2000 (JP) ..... 12-004977

**DESCRIPTION**

(51) **LOC (7) Cl.** ..... **19-06**  
(52) **U.S. Cl.** ..... **D19/55**  
(58) **Field of Search** ..... D19/35, 36, 41-51,  
D19/53-58, 81-85; 401/196, 197, 198,  
199-202, 261-262, 266, 264, 265, 4

FIG. 1 is a perspective view showing the front and right side of a tip for a marking pen of my new design;  
FIG. 2 is a front elevation view of FIG. 1;  
FIG. 3 is a rear elevation view of FIG. 1;  
FIG. 4 is a right side elevation view of FIG. 1, the left side elevation view being a mirror image thereof;  
FIG. 5 is a top plan view of FIG. 1;  
FIG. 6 is a bottom plan view of FIG. 1; and,  
FIG. 7 is a perspective view of the tip for a marking pen of my new design placed in a marking pen. The broken lines in the drawings depict an example of a marking pen in which the tip for a marking pen of my new design is placed, and form no part of the claimed design.

(56) **References Cited**

U.S. PATENT DOCUMENTS

D. 260,533 \* 9/1981 Azuma ..... D19/55  
3,481,677 \* 12/1969 Abrahamson ..... 401/196  
4,208,145 \* 6/1980 Azuma ..... 401/196  
4,824,271 \* 4/1989 Nagahama et al. .... 401/196  
6,059,477 \* 5/2000 Dunlap, Jr. et al. .... 401/199  
6,135,659 \* 10/2000 Ku ..... 401/4

**1 Claim, 2 Drawing Sheets**

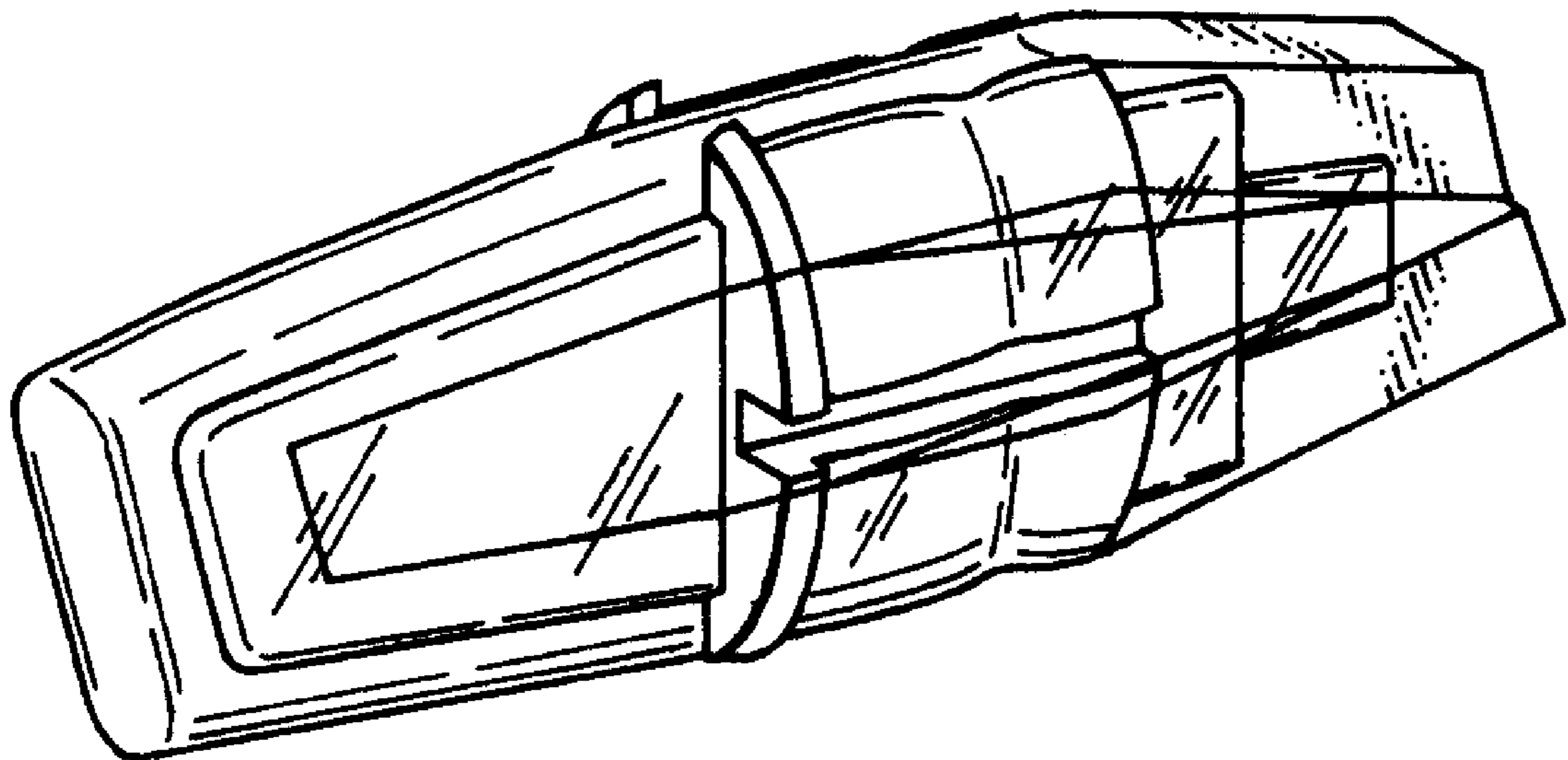


Fig.1

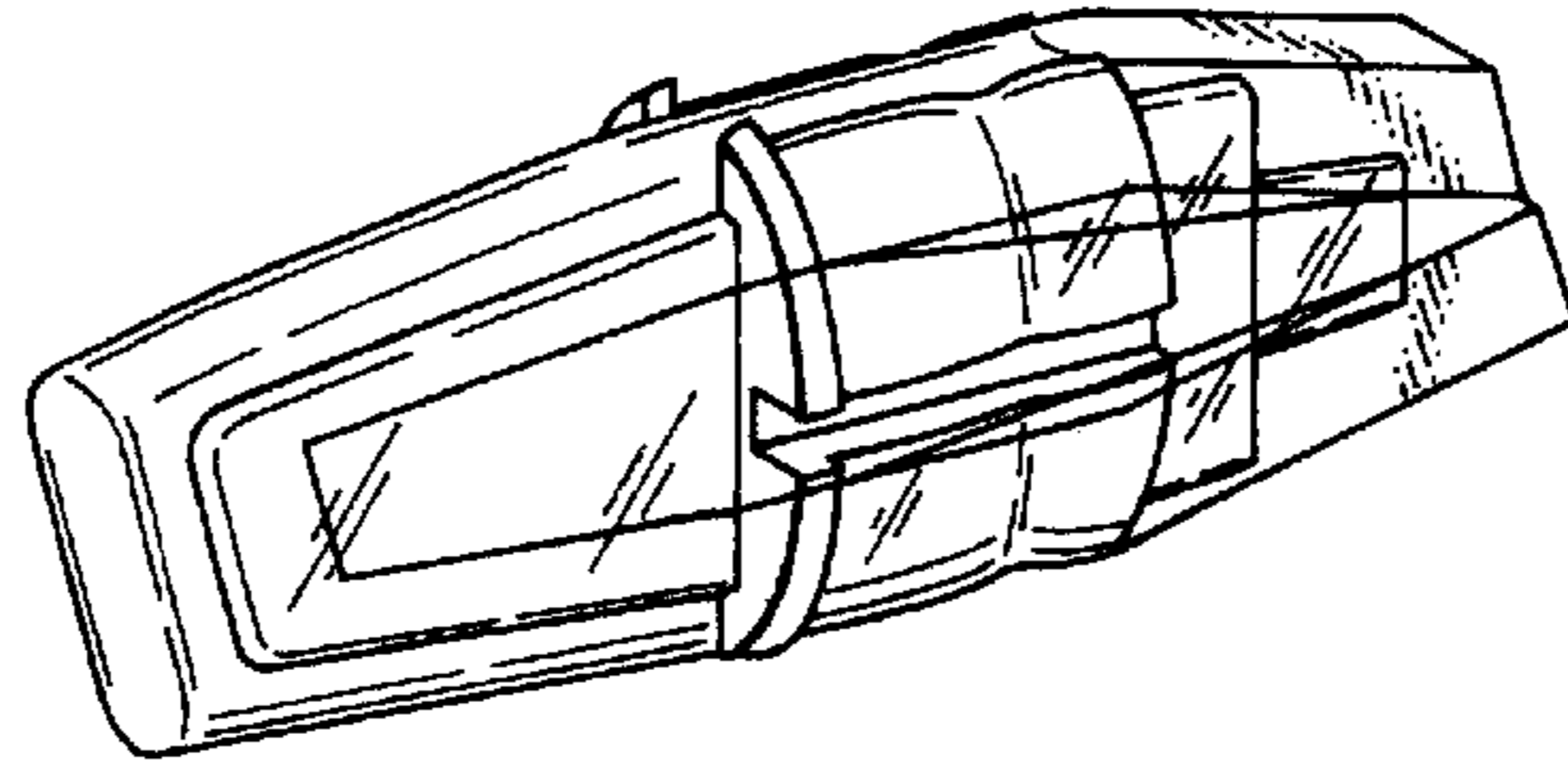


Fig.2

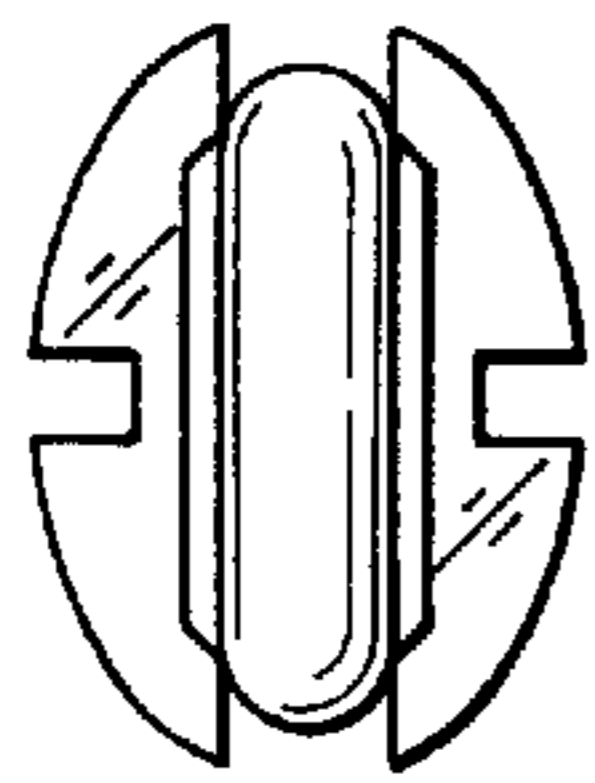


Fig.4

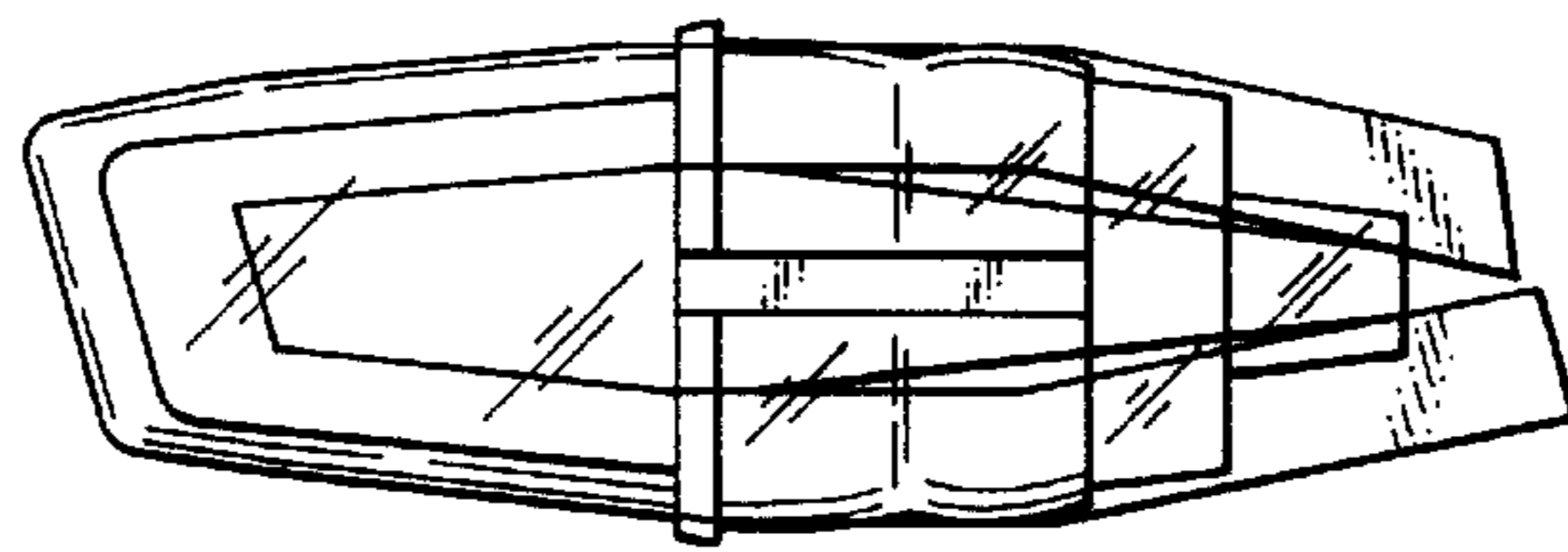


Fig.3

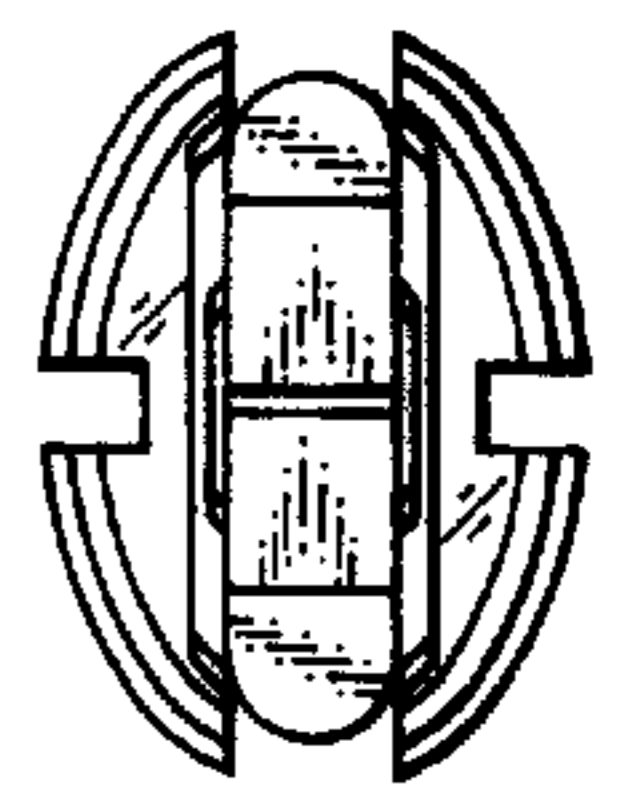


Fig.5

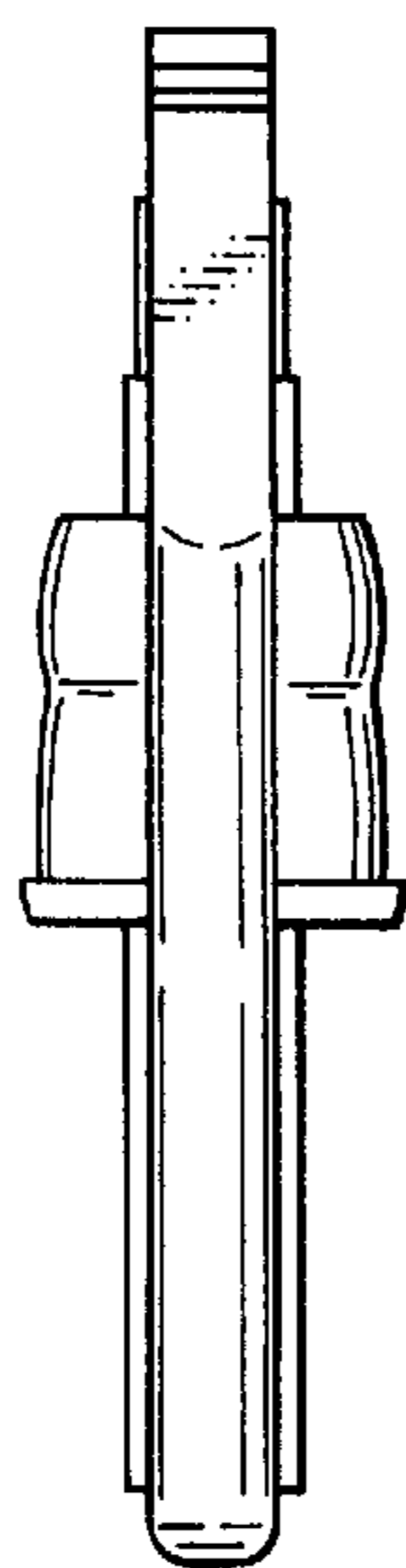


Fig.6

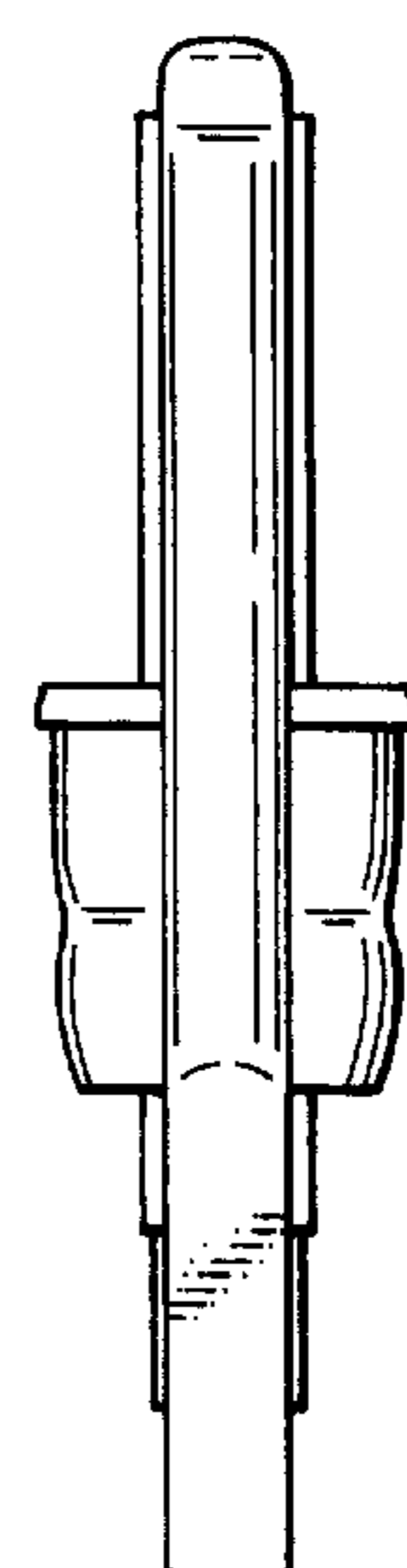


Fig.7

