



US00D449068B1

(12) **United States Design Patent**
Miyazawa

(10) **Patent No.:** **US D449,068 S**

(45) **Date of Patent:** **** Oct. 9, 2001**

(54) **PAPER PACK WITH INK TANK FOR PRINTER**

(75) Inventor: **Yoshihiro Miyazawa, Tokyo (JP)**

(73) Assignee: **Canon Kabusiki Kaisha, Tokyo (JP)**

(**) Term: **14 Years**

(21) Appl. No.: **29/125,729**

(22) Filed: **Jun. 29, 2000**

(30) **Foreign Application Priority Data**

Jan. 20, 2000 (JP) 12-003644

(51) **LOC (7) Cl.** **18-02**

(52) **U.S. Cl.** **D18/56**

(58) **Field of Search** D18/56; 347/86,
347/87

(56) **References Cited**

U.S. PATENT DOCUMENTS

- D. 290,705 * 7/1987 Yomo D18/56
- D. 314,006 * 1/1991 Abe et al. D18/56
- D. 338,912 * 8/1993 Miyamoto D18/56
- D. 351,190 * 10/1994 Oshima et al. D18/56
- D. 357,274 * 4/1995 Sato D18/56
- D. 359,070 * 6/1995 Tokuda et al. D18/56
- D. 375,756 * 11/1996 Murray et al. D18/56
- D. 381,360 * 7/1997 Kawai et al. D18/56
- D. 409,236 * 5/1999 Fujii et al. D18/56
- D. 423,043 * 4/2000 Ishigami et al. D18/56

- D. 423,565 * 4/2000 Ison et al. D18/56
- D. 423,567 * 4/2000 Ishigami et al. D18/56
- 4,920,360 * 4/1990 Terasawa et al. 347/87
- 4,959,667 * 9/1990 Kaplinsky 347/87
- 5,113,206 * 5/1992 Fukazawa 347/86
- 5,371,527 * 12/1994 Miller et al. D18/56
- 5,612,725 * 3/1997 Okimoto D18/56
- 6,106,111 * 8/2000 Taneya et al. 347/86
- 6,149,256 * 11/2000 McIntyre et al. 347/86

* cited by examiner

Primary Examiner—Cathy Anne MacCormac

(74) *Attorney, Agent, or Firm*—Fitzpatrick, Cella, Harper, & Scinto

(57) **CLAIM**

The ornamental design for a paper pack with ink tank for printer, as shown and described.

DESCRIPTION

FIG. 1 is a front view of a paper pack with ink tank for printer showing my new design;
FIG. 2 is a rear view thereof;
FIG. 3 is a top plan view thereof;
FIG. 4 is a left side view thereof, the opposite side is not being claimed; and,
FIG. 5 is a perspective view thereof.

The portions shown in broken lines throughout the drawings are for illustrative purposes only and form no part of the claimed design.

1 Claim, 2 Drawing Sheets

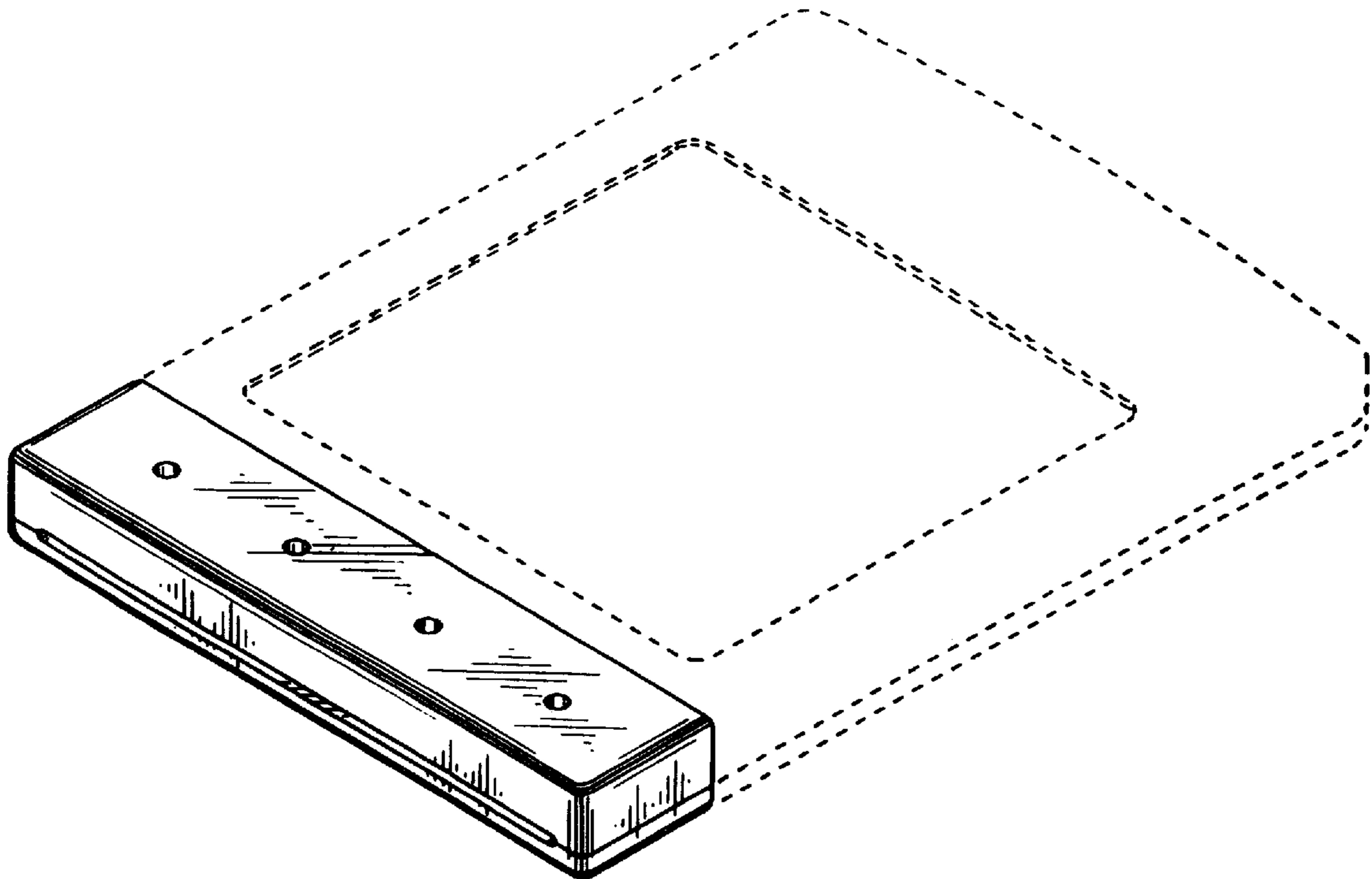


FIG. 1

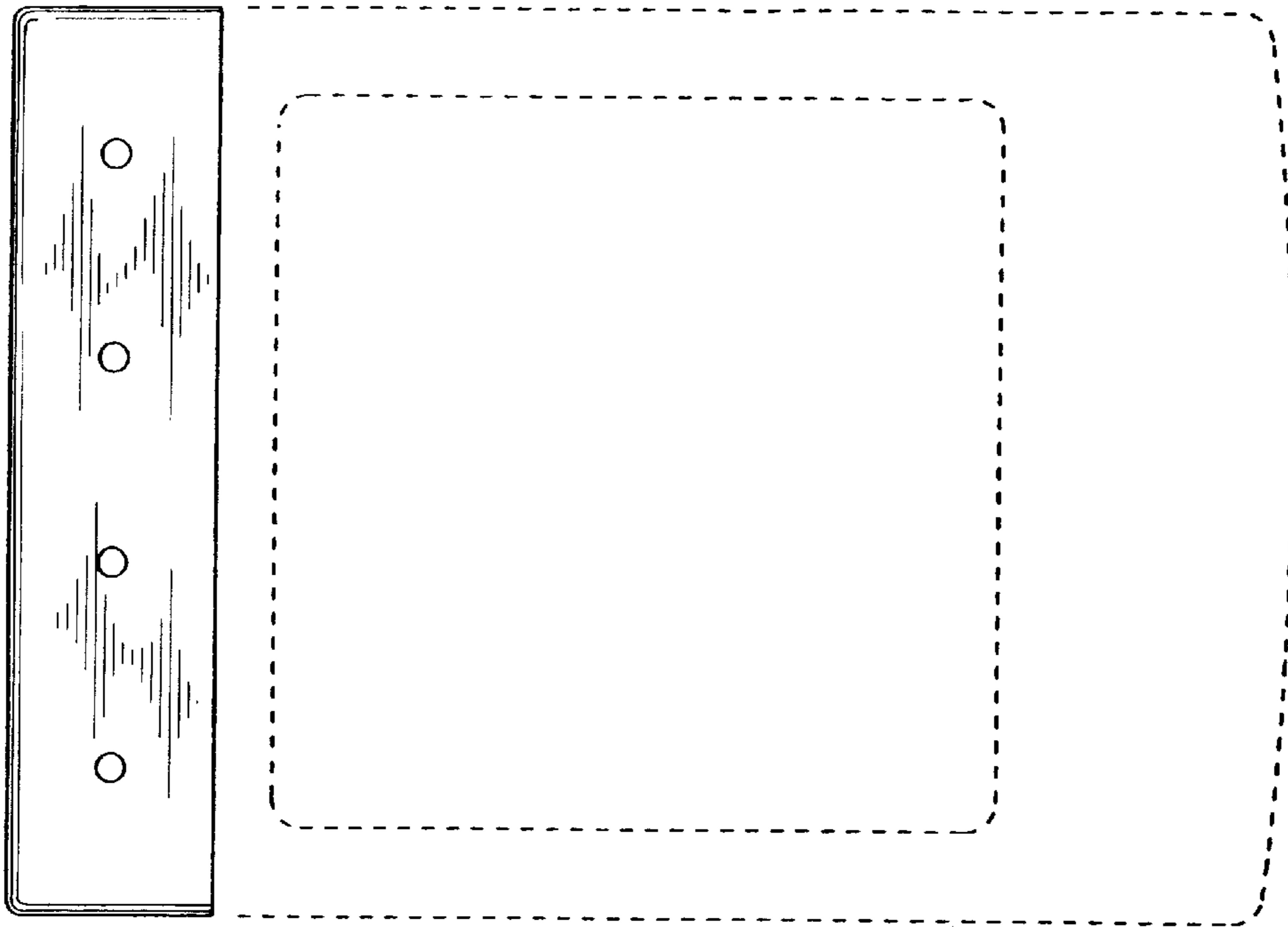


FIG. 2

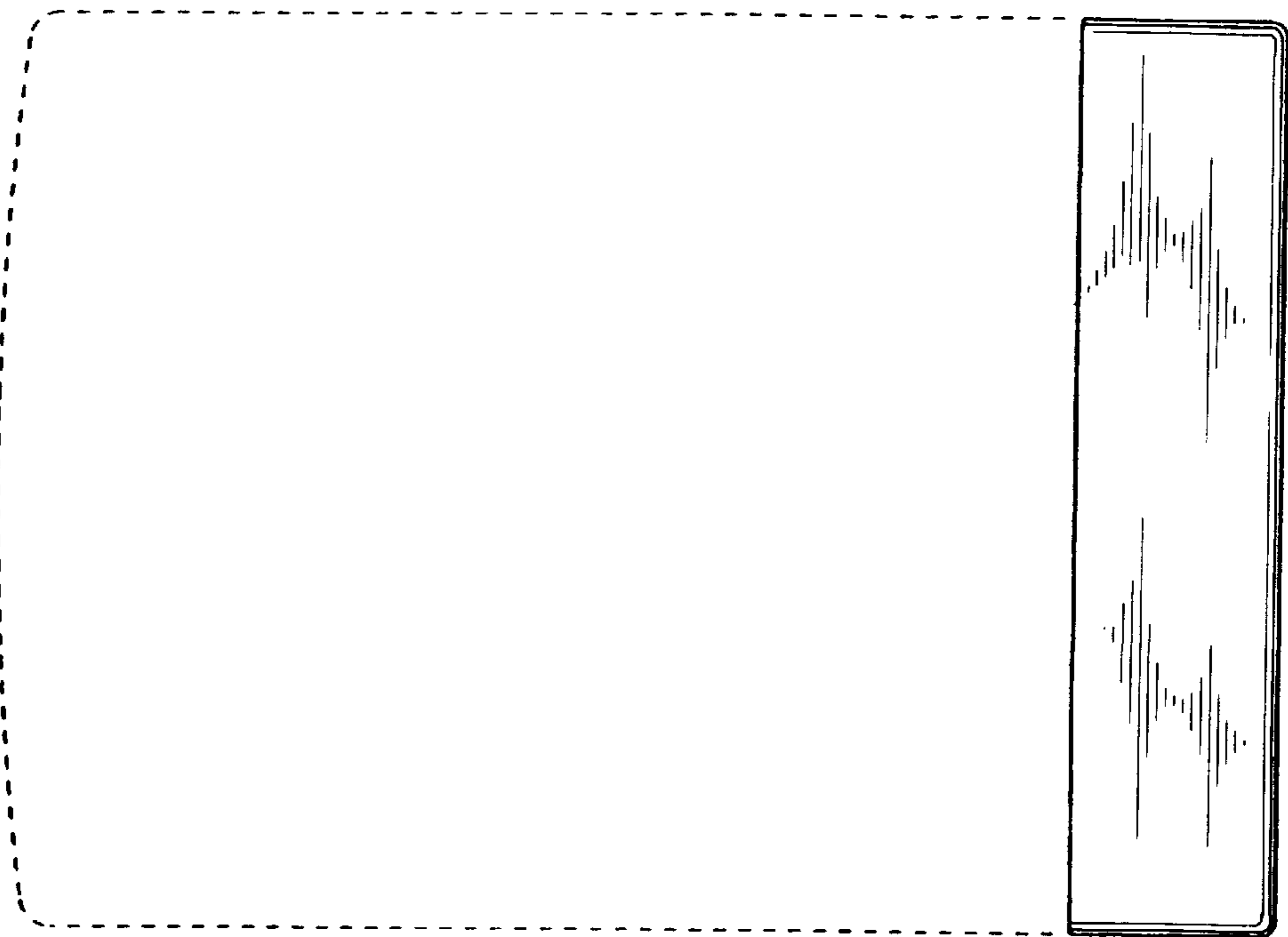


FIG. 3

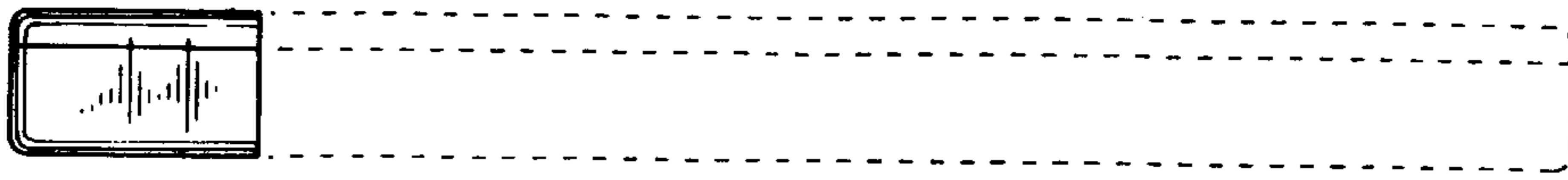


FIG. 4

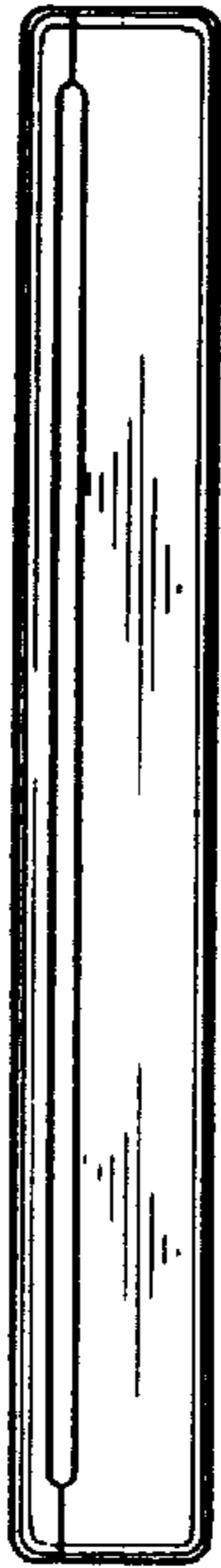
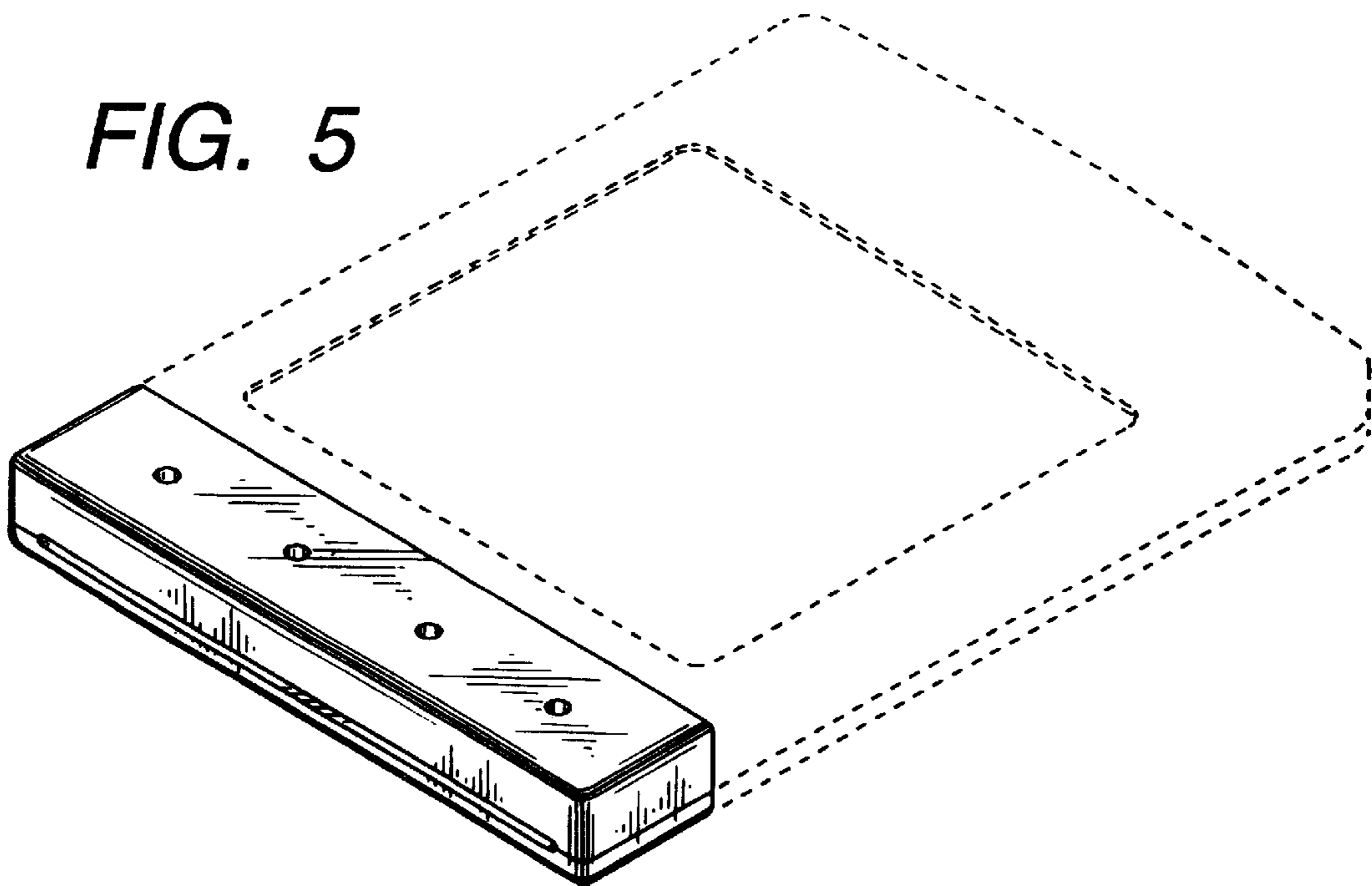


FIG. 5



UNITED STATES PATENT AND TRADEMARK OFFICE
CERTIFICATE OF CORRECTION

PATENT NO. : Des 449,068 S
DATED : October 9, 2001
INVENTOR(S) : Yoshihiro Miyazawa

Page 1 of 1

It is certified that error appears in the above-identified patent and that said Letters Patent is hereby corrected as shown below:

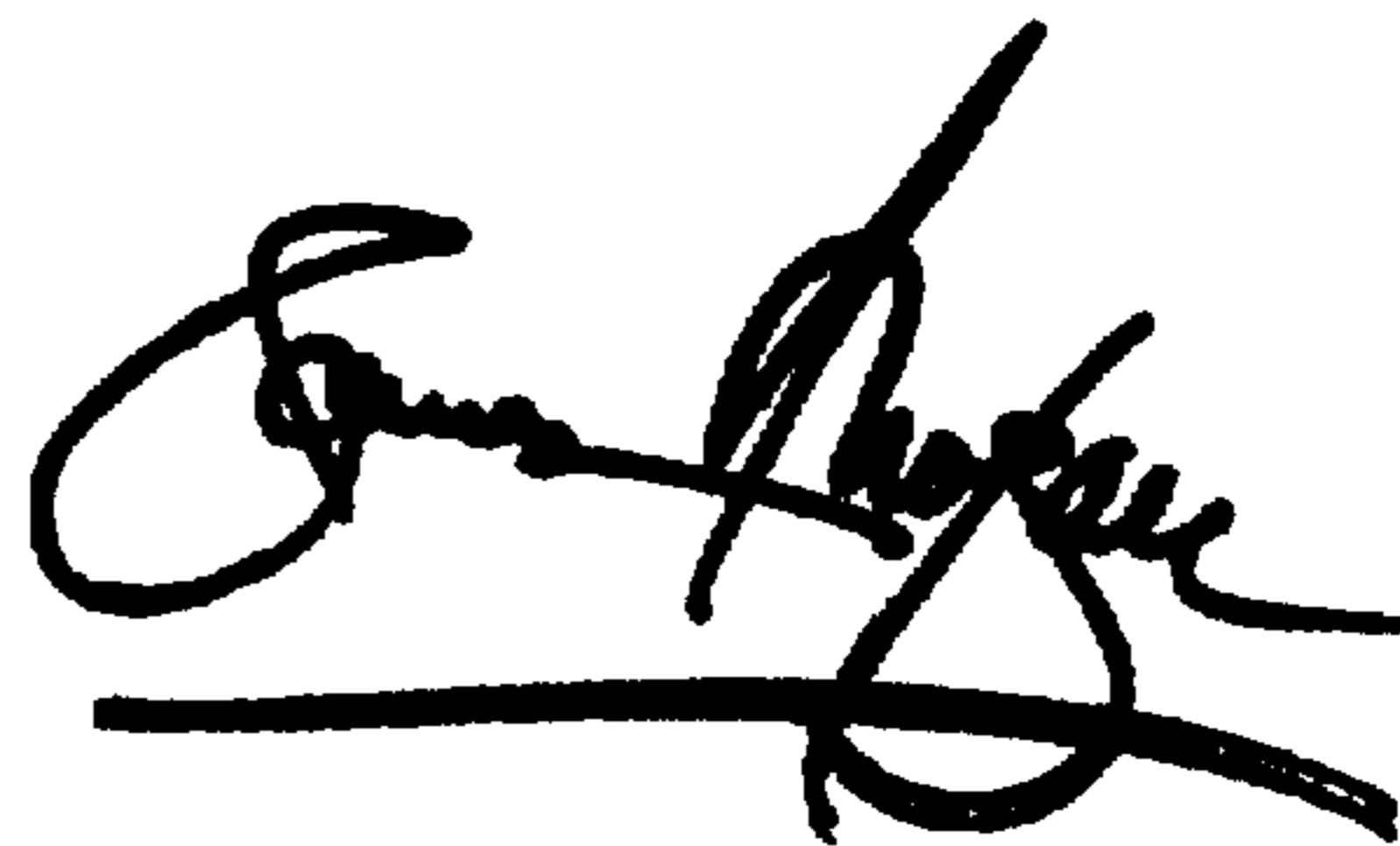
Title page,

Item [73], Assignee, "Canon Kabusiki Kaisha" should read -- Canon Kabushiki Kaisha --

Signed and Sealed this

Second Day of April, 2002

Attest:



Attesting Officer

JAMES E. ROGAN
Director of the United States Patent and Trademark Office