



US00D449066B1

(12) **United States Design Patent**
Dwyer et al.

(10) **Patent No.:** **US D449,066 S**

(45) **Date of Patent:** **** *Oct. 9, 2001**

(54) **INKJET PRINTER WITH FIXED SHEET FEEDER AND WINDOW ACCESS DOOR**

(75) Inventors: **Daniel R. Dwyer**, Battle Ground; **Kevin D. O'Hara**, Washougal; **Peter G. Hwang**, Vancouver; **Donald R. Bloyer**, Brush Prairie; **Raymond C. Sherman**, Camas; **Jeffrey G. Bingham**; **Matthew B. Clark**, both of Vancouver, all of WA (US); **Sergio Escobedo**, San Diego, CA (US); **Corlene M. Ankrum**, Vancouver, WA (US); **Eric S. Schuh**, Portland, OR (US); **Todd M. Gaasch**, Vancouver, WA (US)

(73) Assignee: **Hewlett-Packard Company**

(*) Notice: This patent is subject to a terminal disclaimer.

(**) Term: **14 Years**

(21) Appl. No.: **29/109,691**

(22) Filed: **Aug. 19, 1999**

(51) **LOC (7) Cl.** **14-02**

(52) **U.S. Cl.** **D18/55**

(58) **Field of Search** D18/50, 54-55; 400/613, 613.1-613.4, 691-694, 690.1-690.4

(56) **References Cited**

U.S. PATENT DOCUMENTS

- D. 350,364 * 9/1994 Kawashima et al. D18/50
- D. 356,596 * 3/1995 Dubson et al. D18/55

- D. 370,026 5/1996 McGlashan .
- D. 373,378 * 9/1996 Brown et al. D18/55
- D. 373,380 * 9/1996 Dwyer et al. D18/55
- D. 382,894 * 8/1997 Berriman et al. D18/55
- D. 390,257 * 2/1998 Dwyer et al. D18/55
- D. 392,311 * 3/1998 Takano D18/50
- D. 402,689 12/1998 Brown et al. .
- D. 406,273 * 3/1999 Dwyer et al. D18/55
- D. 428,052 7/2000 Dwyer et al. .
- D. 429,279 8/2000 Dwyer et al. .
- D. 429,759 8/2000 Dwyer et al. .

* cited by examiner

Primary Examiner—Cathy Anne MacCormac
(74) *Attorney, Agent, or Firm*—Flory L. Martin

(57) **CLAIM**

The ornamental design for an inkjet printer with fixed sheet feeder and window access door, substantially as shown and described.

DESCRIPTION

FIG. 1 is a perspective view of an inkjet printer with fixed sheet feeder and window access door in accordance with the present invention;

FIG. 2 is a top plan view thereof;

FIG. 3 is a front elevational view thereof;

FIG. 4 is a bottom plan view thereof;

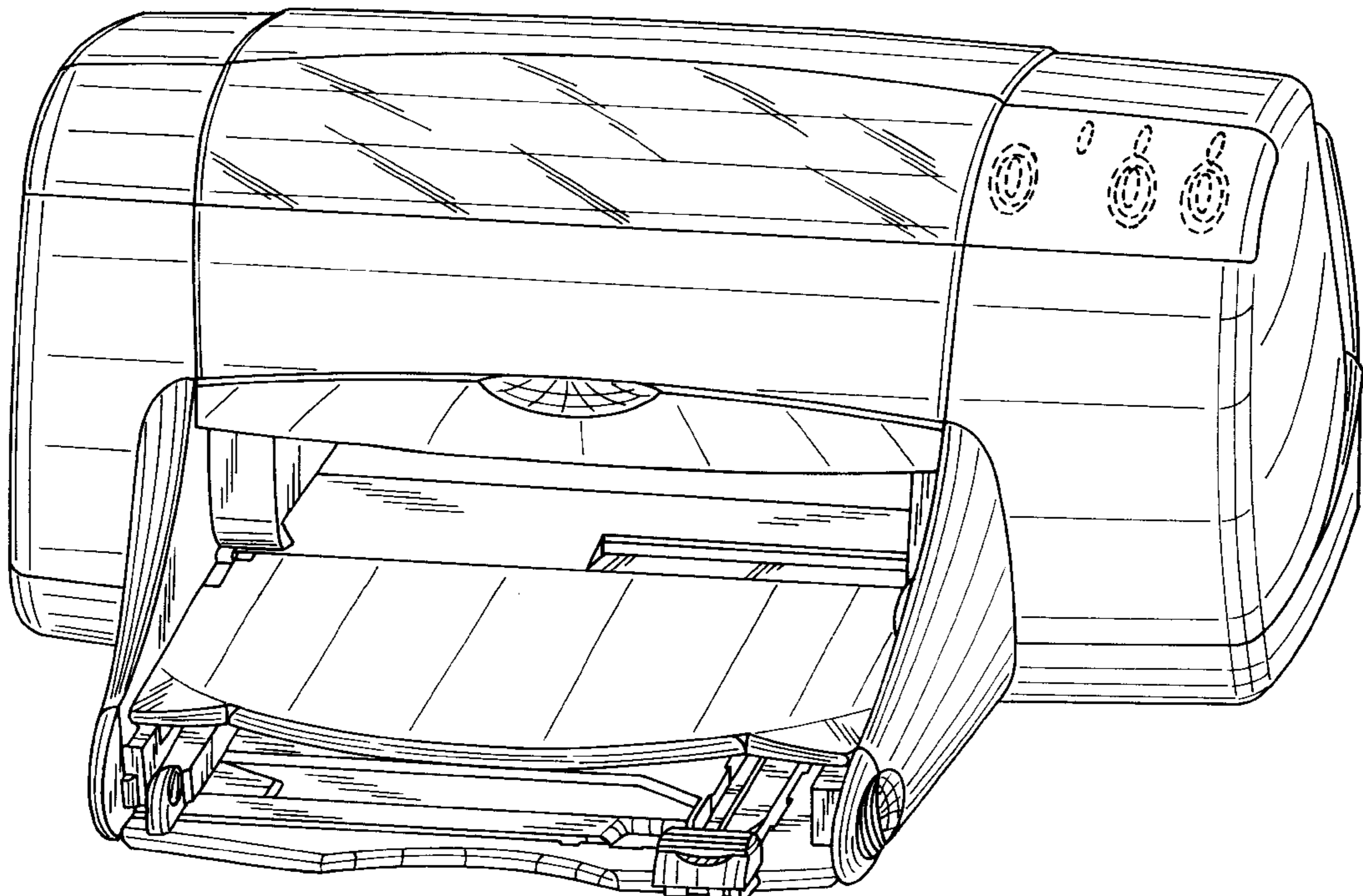
FIG. 5 is a rear elevational view thereof;

FIG. 6 is a left side elevational view thereof; and,

FIG. 7 is a right side elevational view thereof.

The broken lines in FIGS. 1-3 and 5 are for illustrative purposes only and form no part of the claimed design.

1 Claim, 6 Drawing Sheets



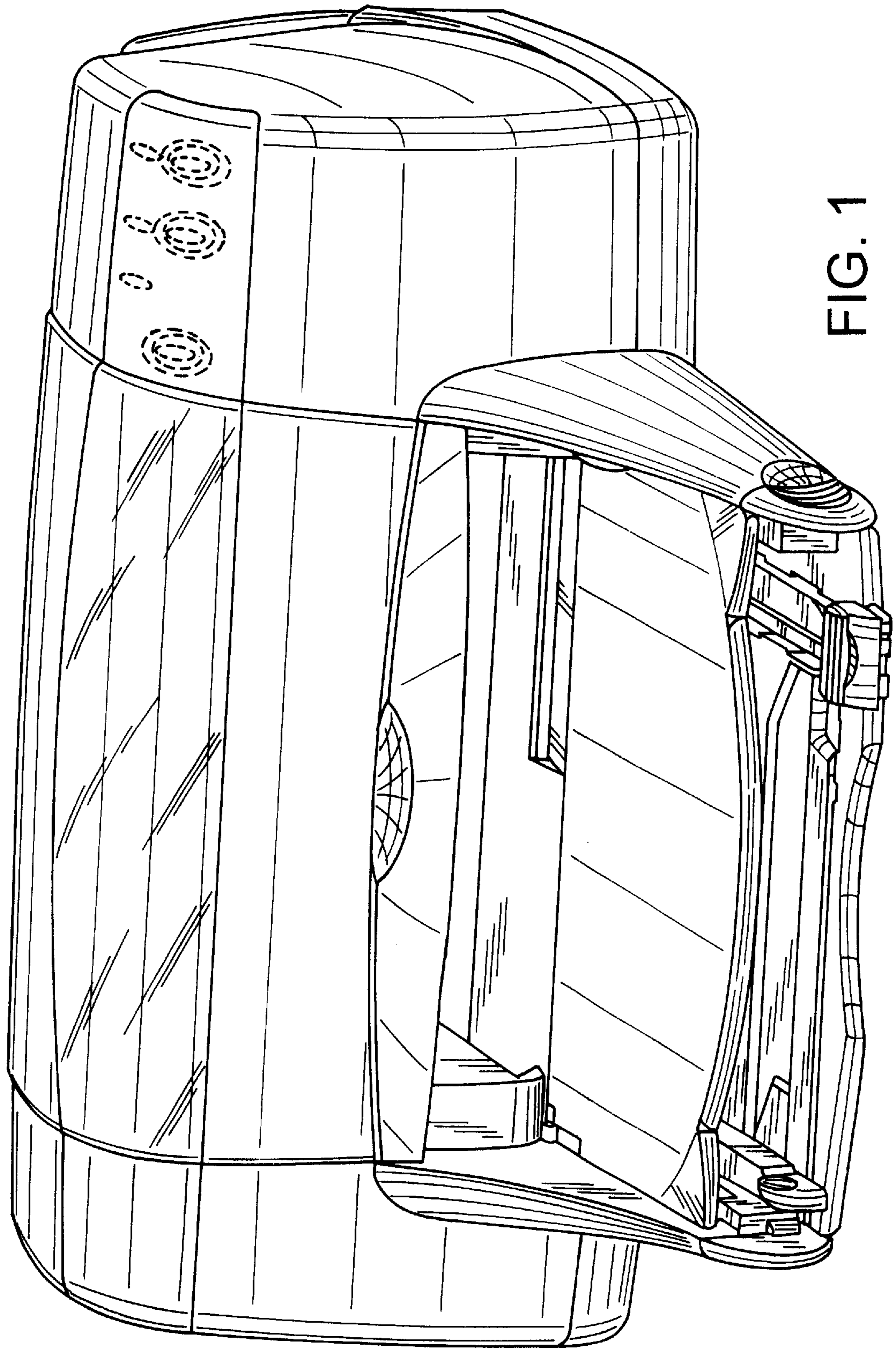


FIG. 1

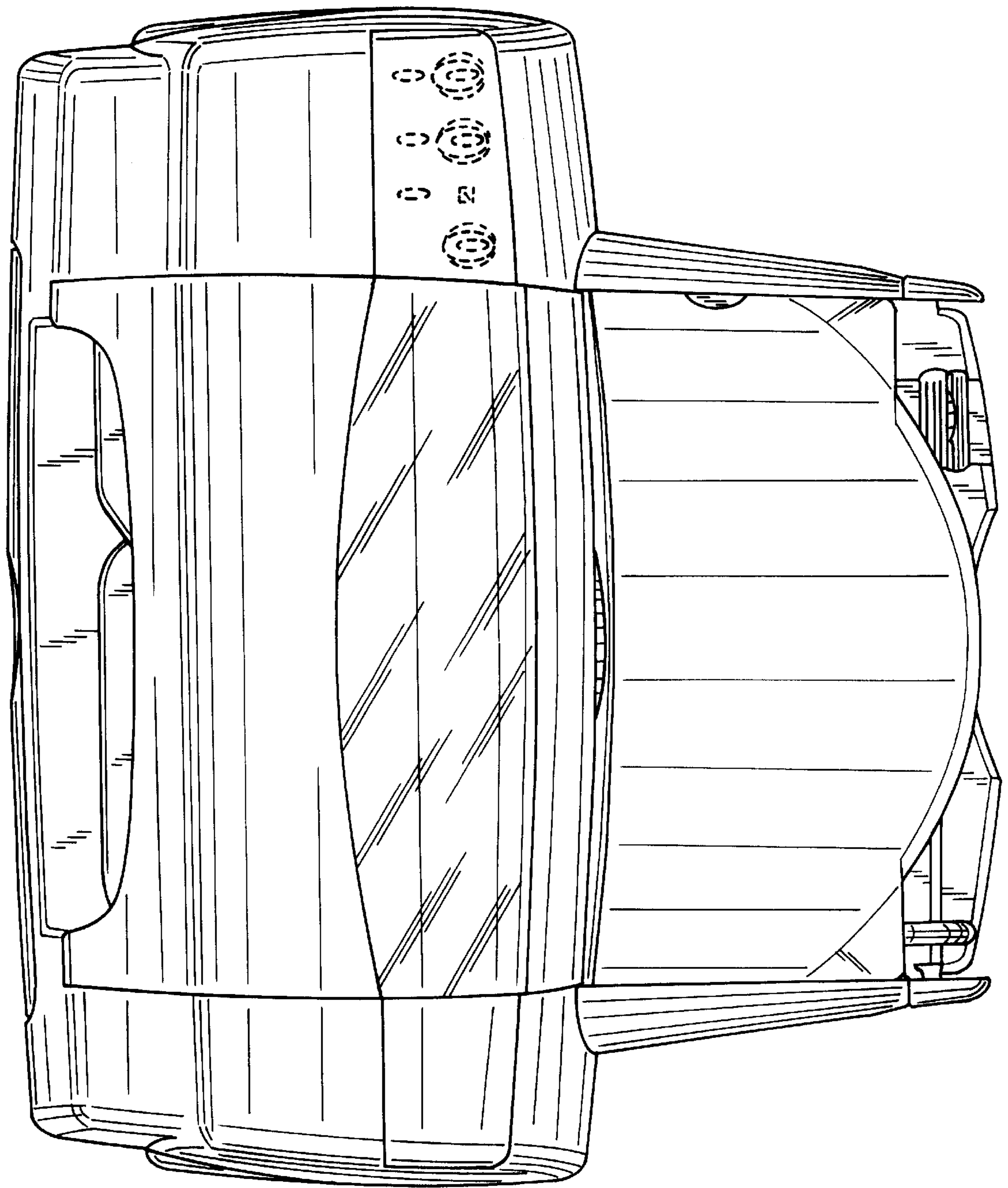


FIG. 2

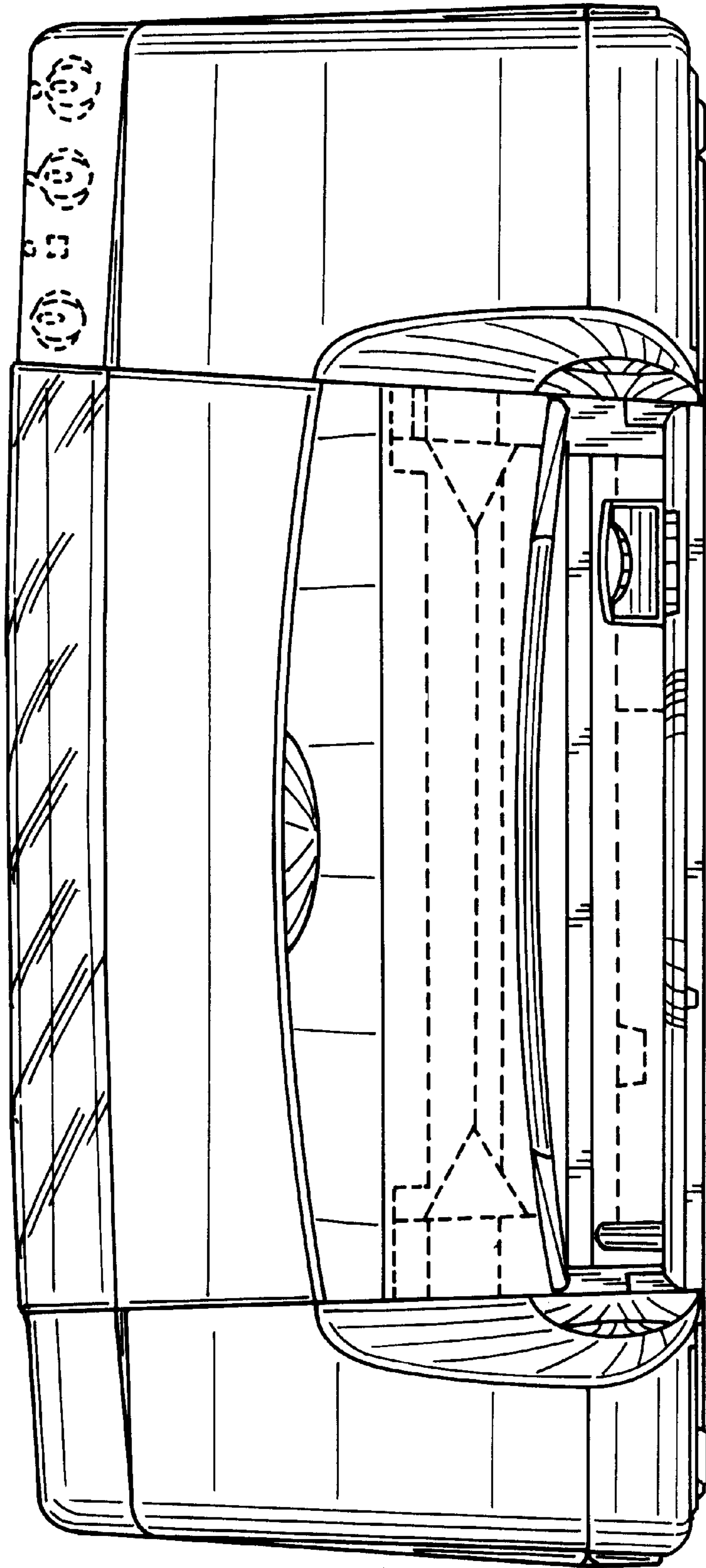


FIG. 3

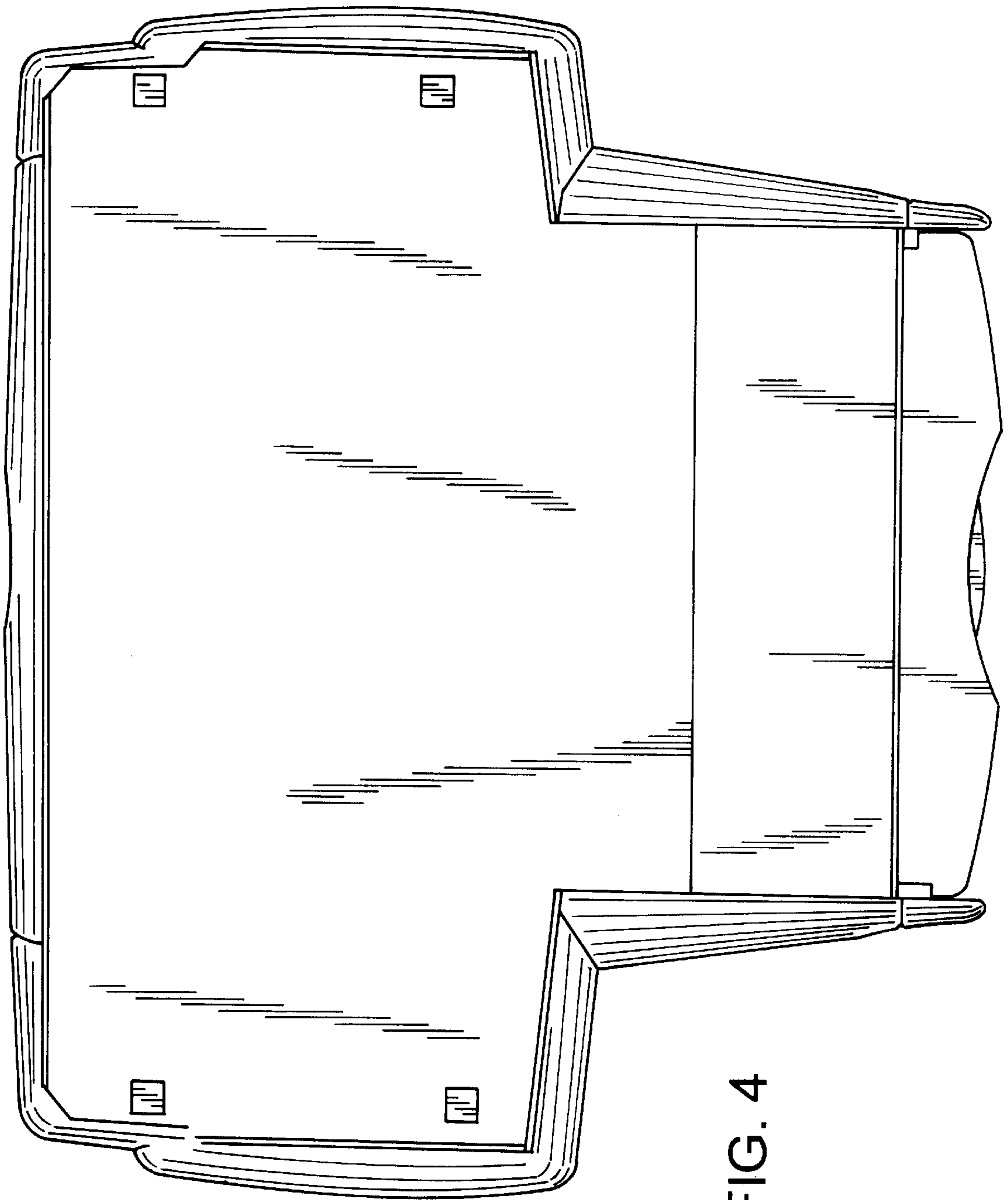


FIG. 4

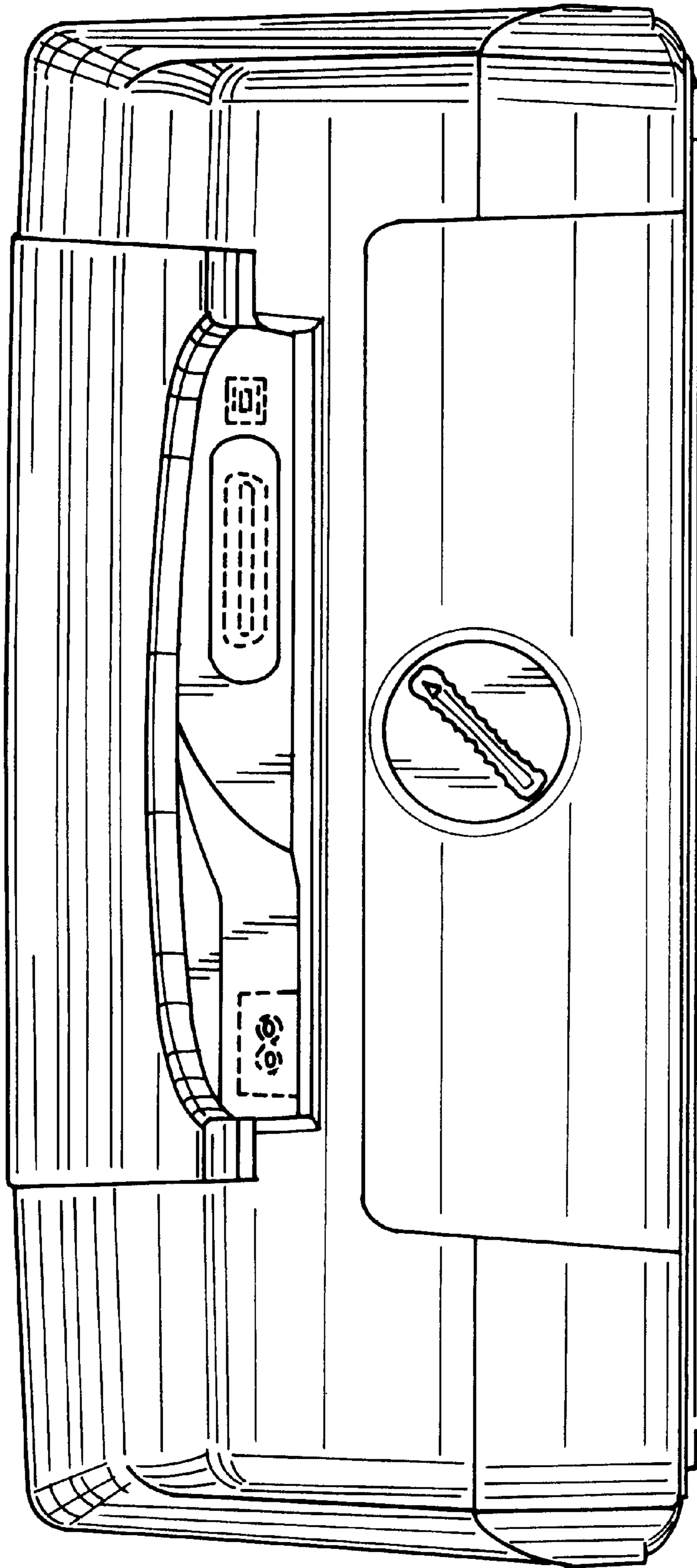


FIG. 5

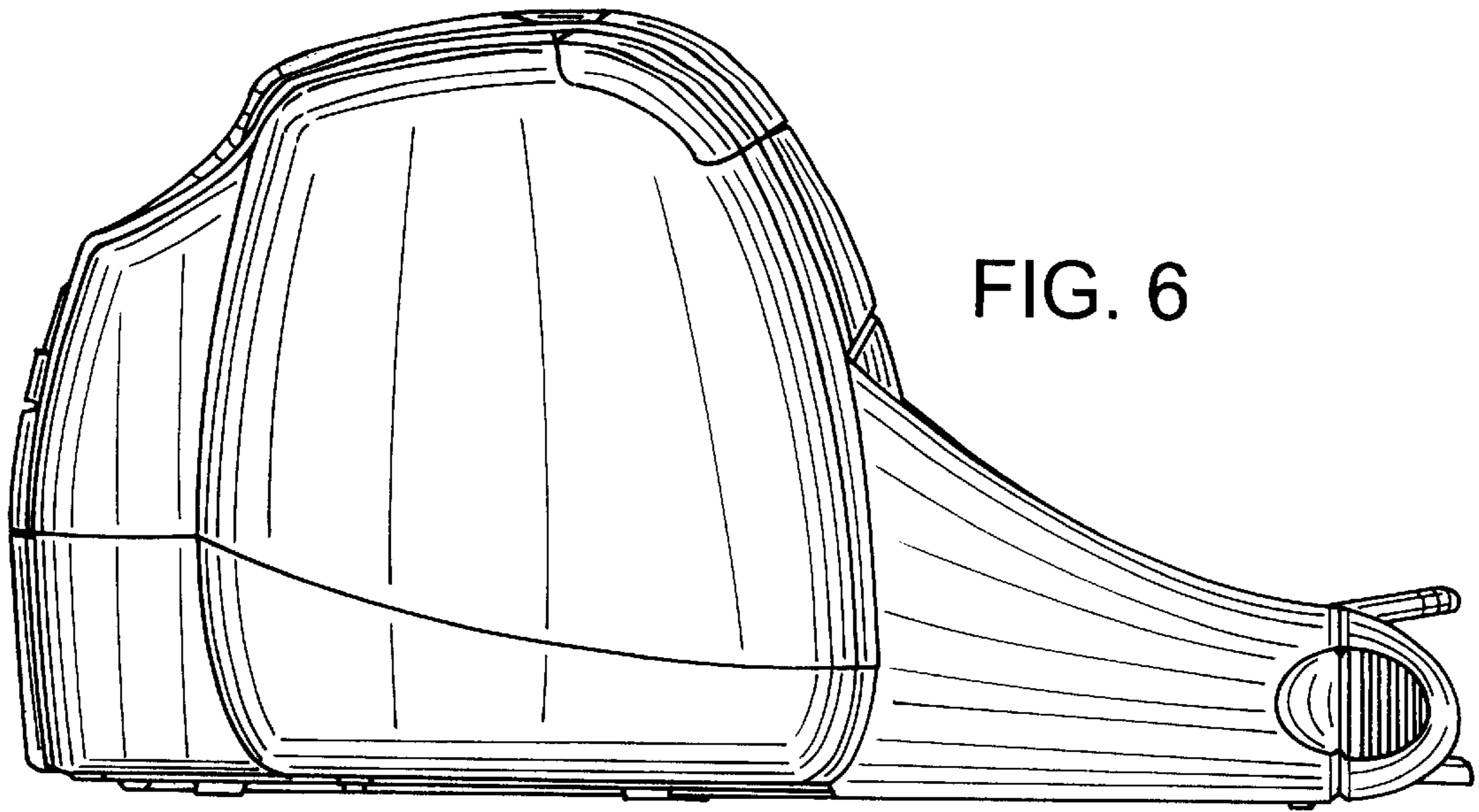


FIG. 6

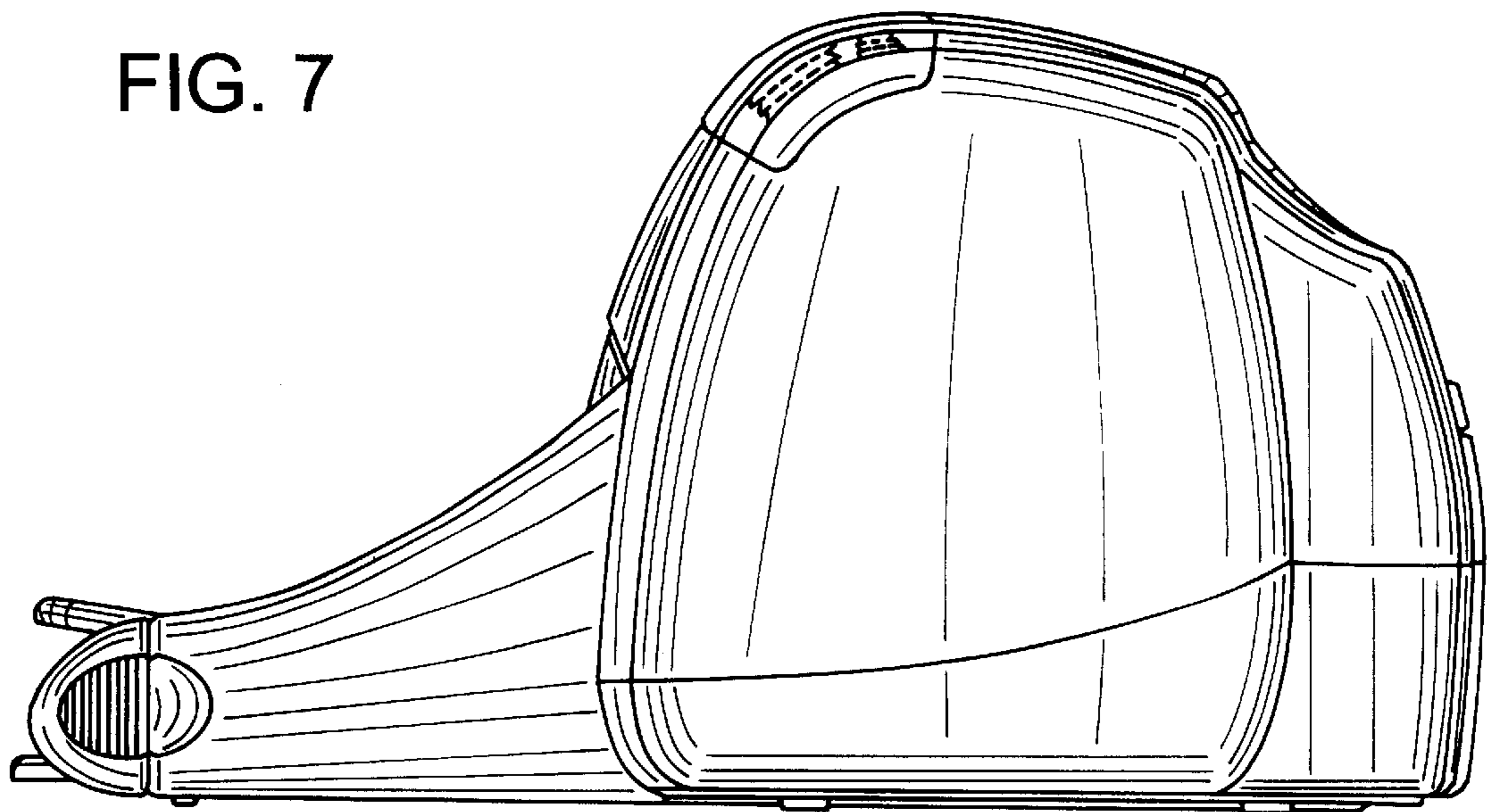


FIG. 7