



US00D449061B1

(12) **United States Design Patent**
Lim

(10) **Patent No.:** **US D449,061 S**

(45) **Date of Patent:** **** Oct. 9, 2001**

(54) **PROJECTOR**

(75) Inventor: **Jae Won Lim**, Seoul (KR)

(73) Assignee: **LG Electronics Inc.**, Seoul (KR)

(**) Term: **14 Years**

(21) Appl. No.: **29/130,156**

(22) Filed: **Sep. 29, 2000**

(30) **Foreign Application Priority Data**

Mar. 29, 2000 (KR) 2000-7966

(51) **LOC (7) Cl.** **16-02**

(52) **U.S. Cl.** **D16/231; D16/225**

(58) **Field of Search** D16/205, 208,
D16/221, 225, 230, 231, 234; D21/514;
353/115, 119, 122

(56) **References Cited**

U.S. PATENT DOCUMENTS

D. 371,148 * 6/1996 Kobayashi D16/221

D. 400,902 * 11/1998 Yamazaki et al. D16/225
D. 406,159 * 2/1999 Kawasaki et al. D16/234
D. 429,270 * 8/2000 Ishibashi et al. D16/231
D. 436,979 * 1/2001 Yokoyama et al. D16/231
5,868,485 * 2/1999 Fujimori et al. 353/119

* cited by examiner

Primary Examiner—Adir Aronovich

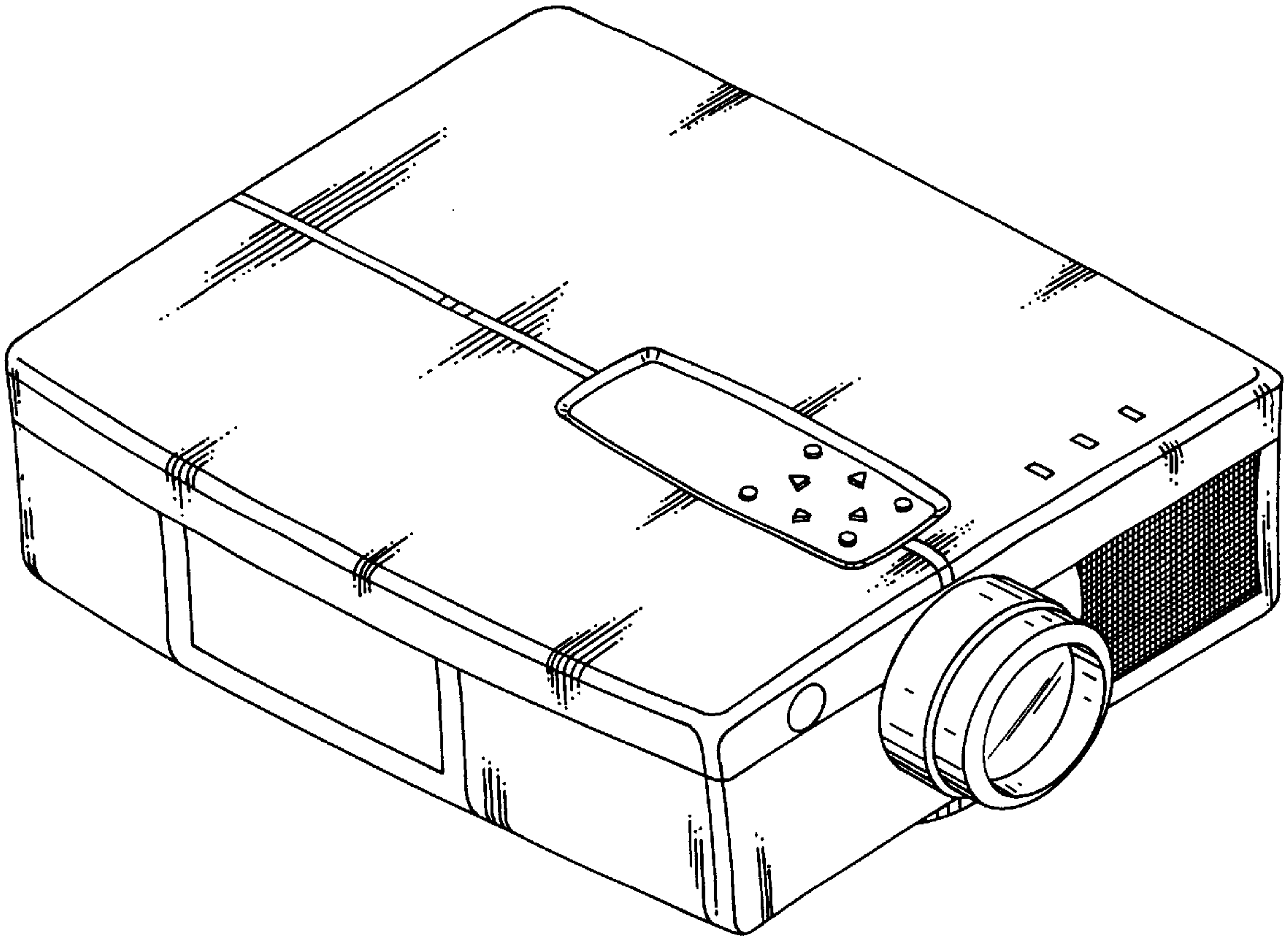
(57) **CLAIM**

The ornamental design for a projector, as shown and described.

DESCRIPTION

FIG. 1 is a perspective view of a projector showing the new design;
FIG. 2 is a front view thereof;
FIG. 3 is a rear view thereof;
FIG. 4 is a left-side view thereof;
FIG. 5 is a right-side view thereof;
FIG. 6 is a top plan view thereof; and,
FIG. 7 is a bottom plan view thereof.

1 Claim, 5 Drawing Sheets



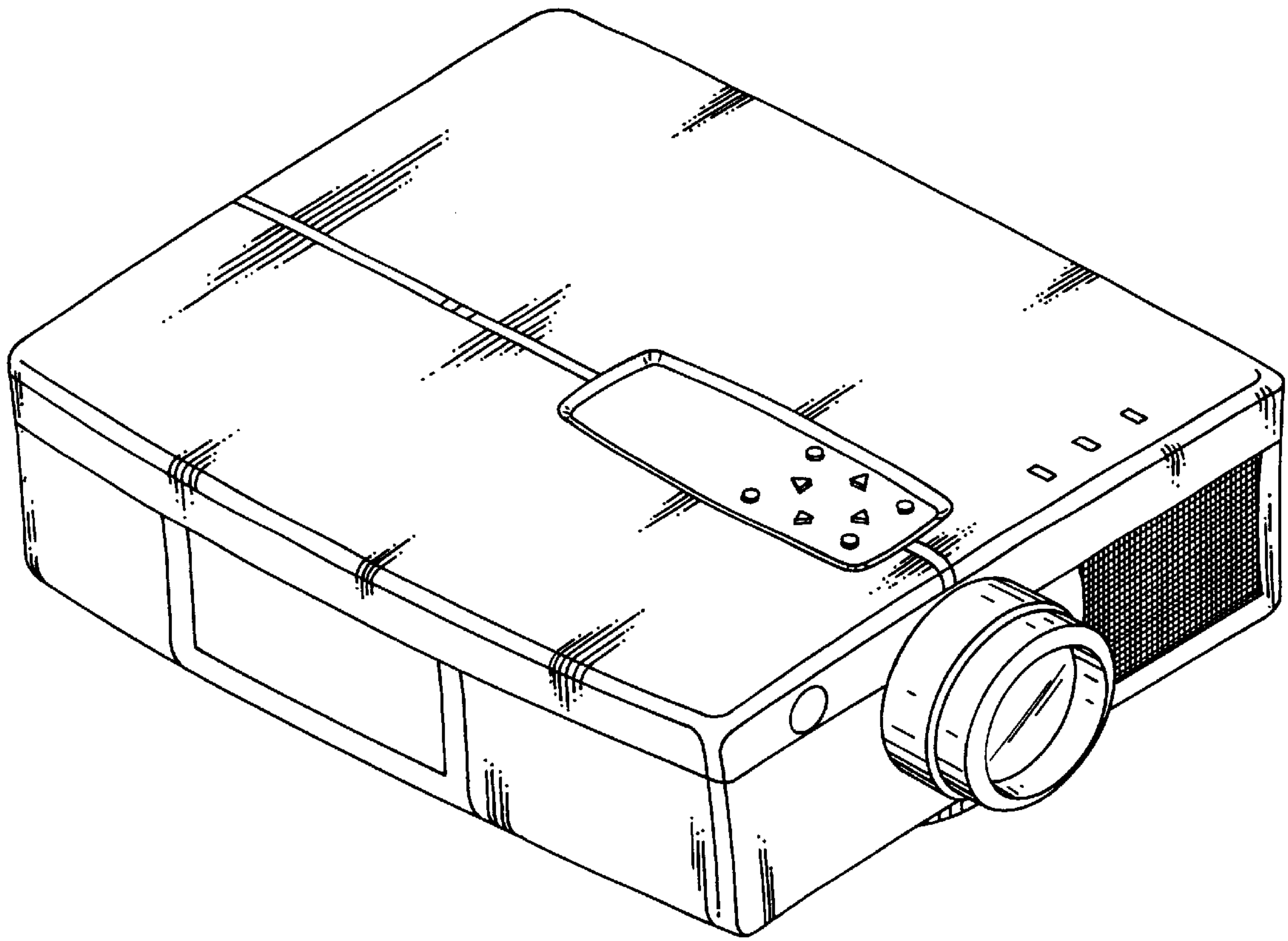


FIG. 1

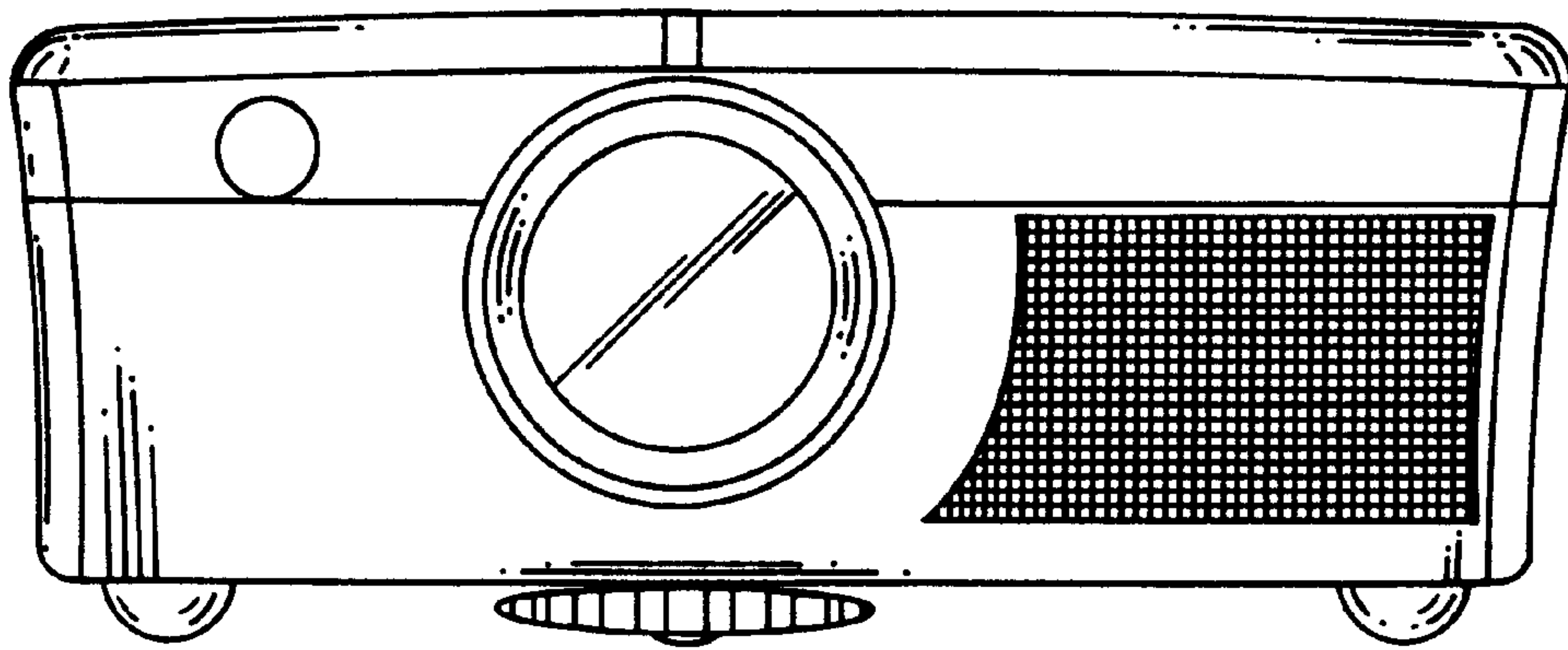


FIG. 2

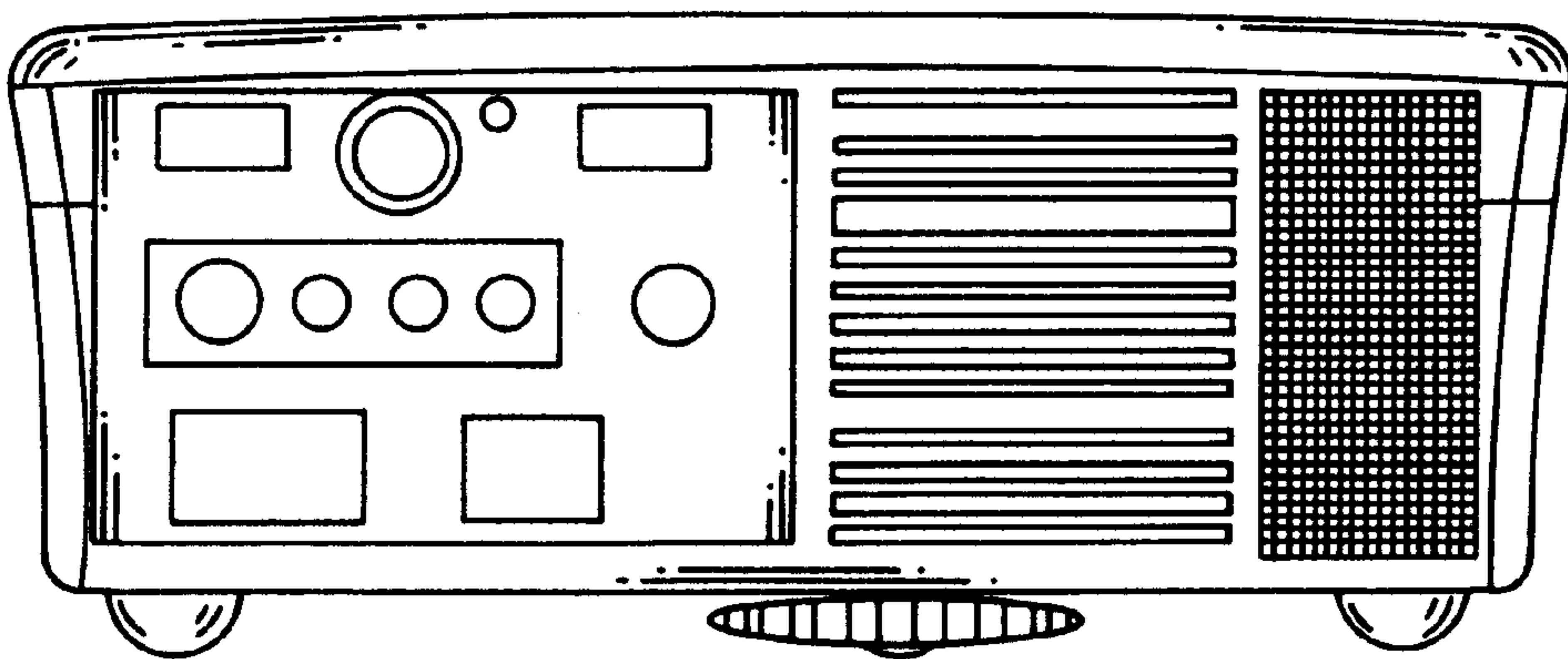


FIG. 3

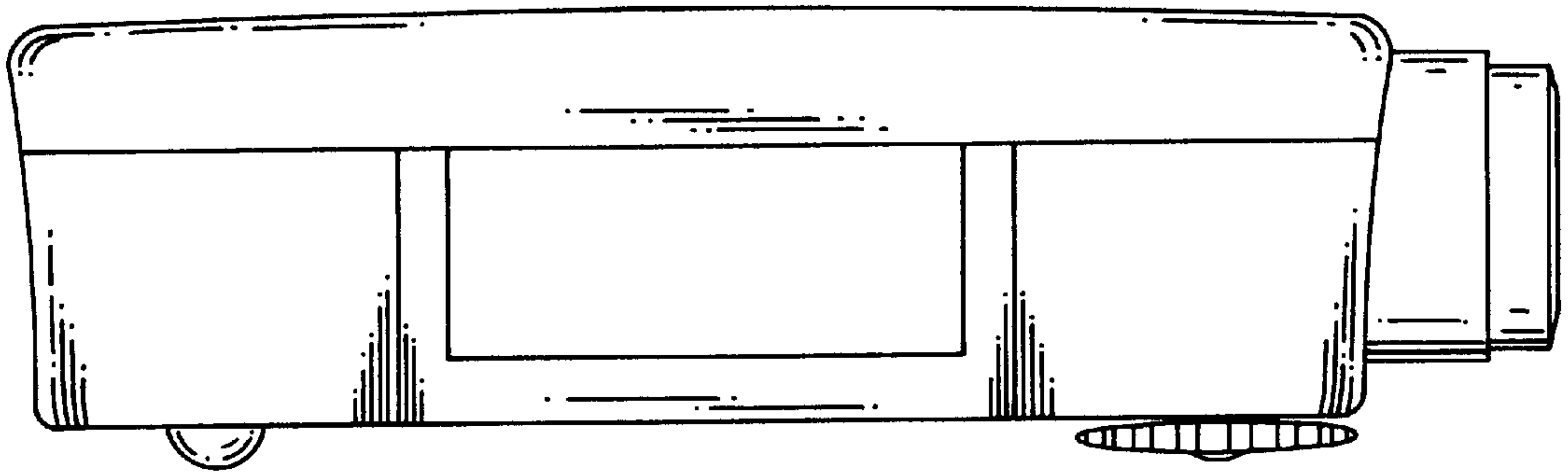


FIG. 4

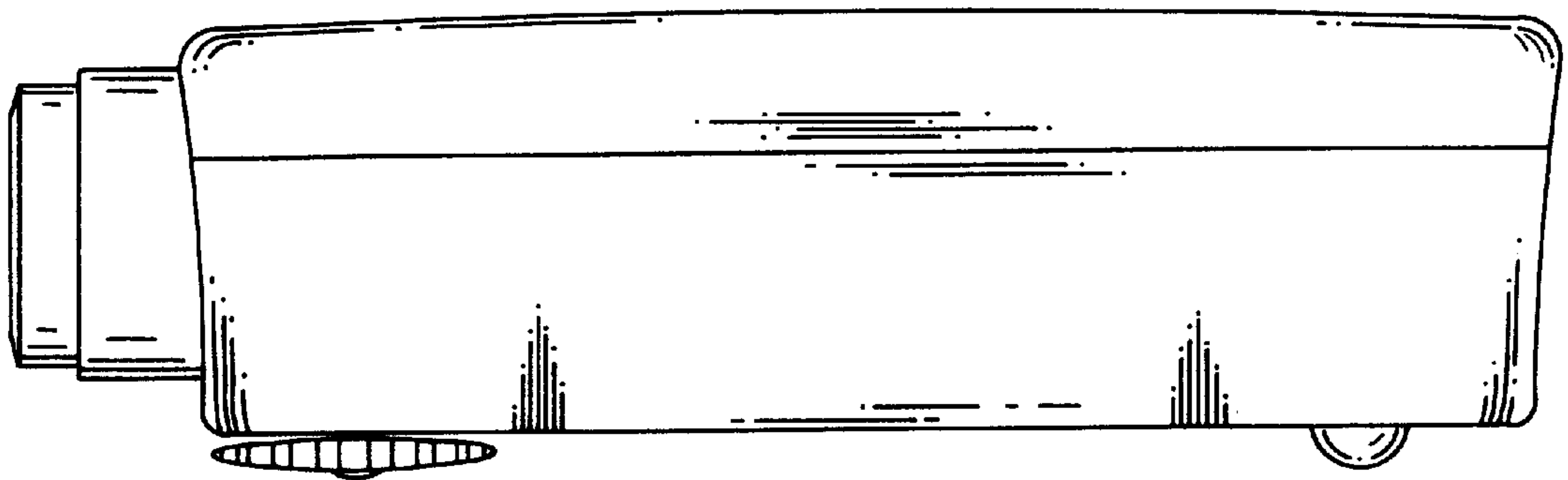


FIG. 5

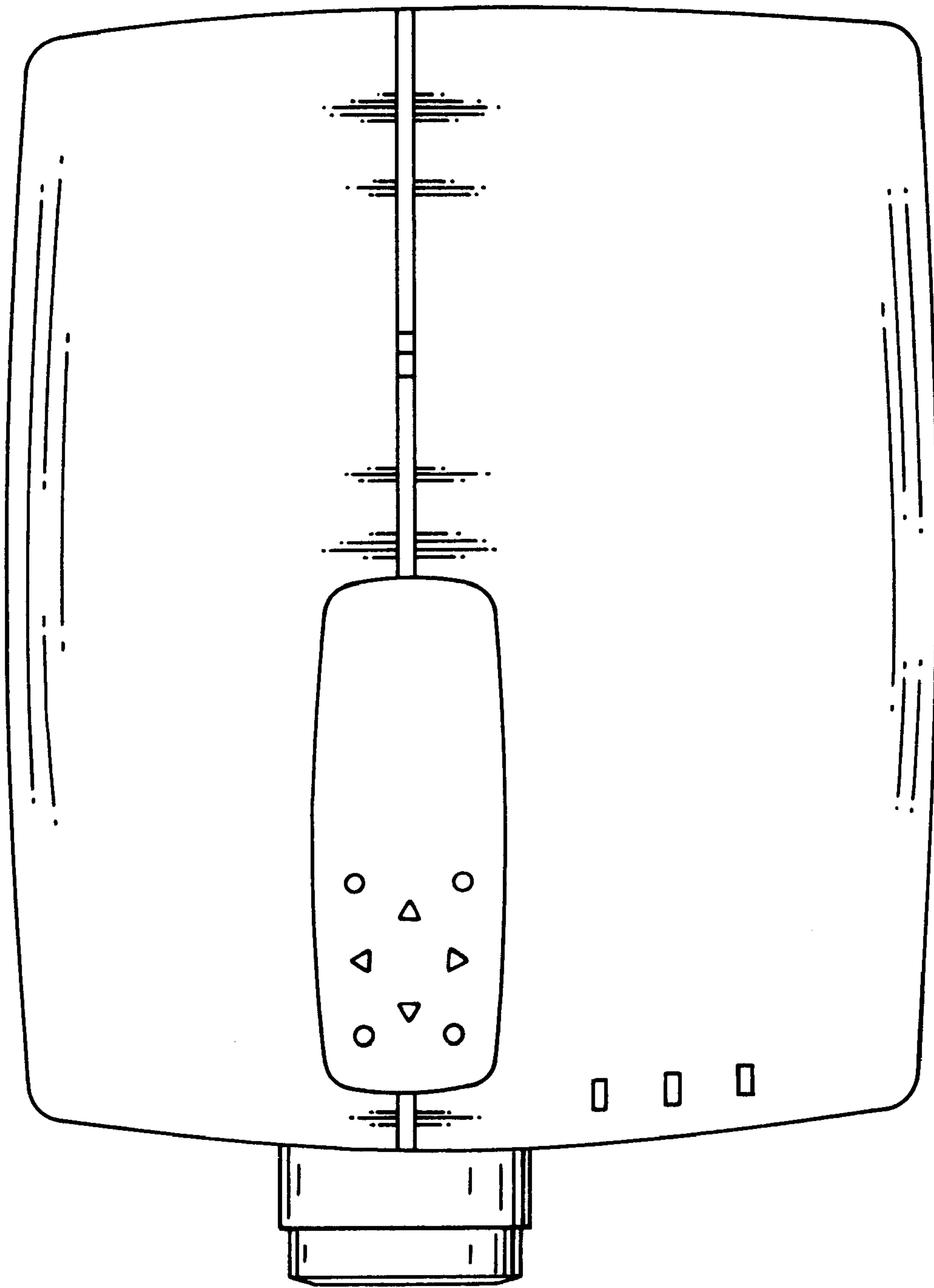


FIG. 6

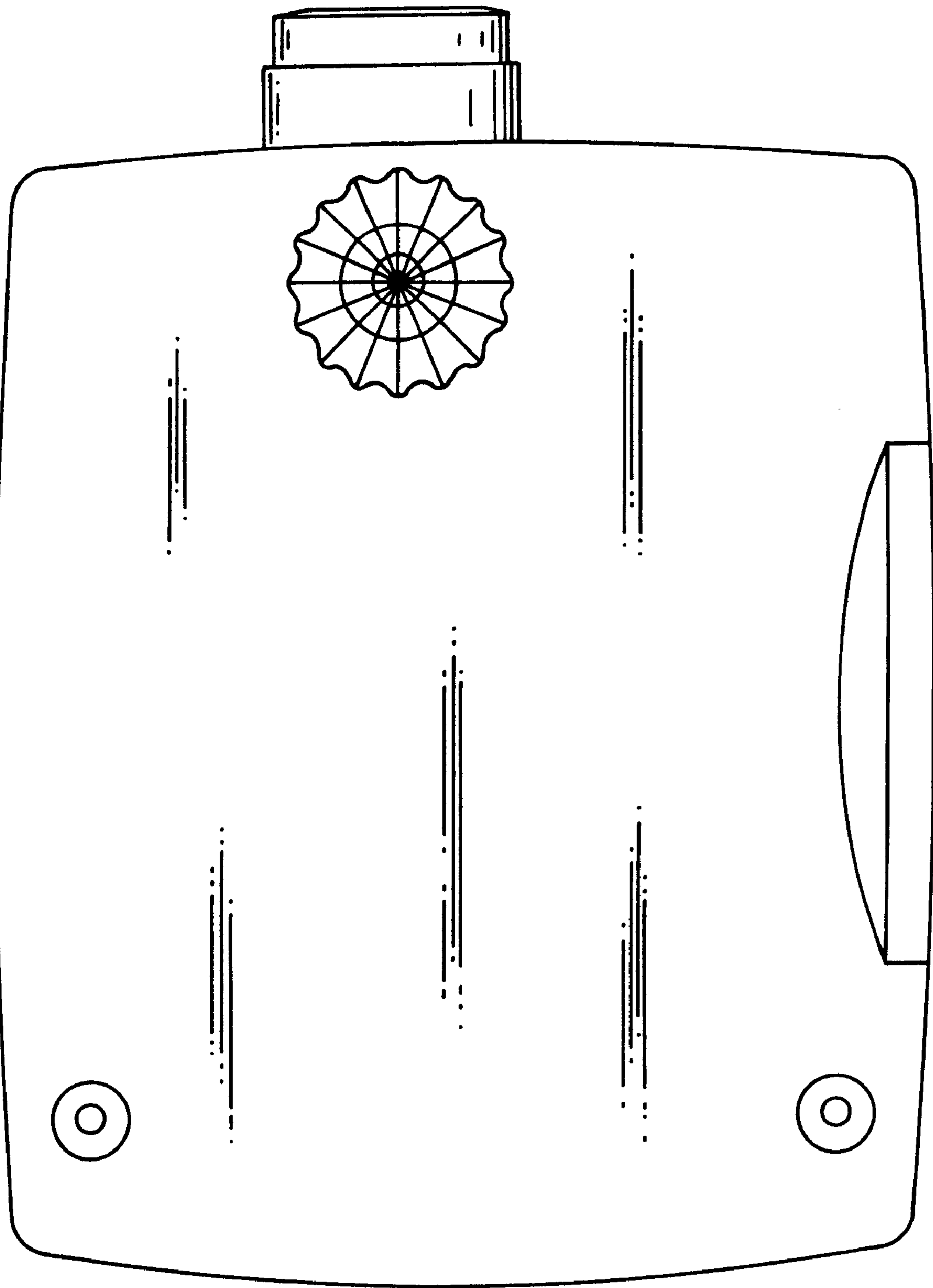


FIG. 7