



US00D449060B1

(12) **United States Design Patent**
Saeki et al.

(10) **Patent No.:** **US D449,060 S**

(45) **Date of Patent:** **** Oct. 9, 2001**

(54) **VIDEO PROJECTOR**

(75) Inventors: **Taisuke Saeki; Harumi Sakamoto;**
Kohichi Iida, all of Tochigi-ken (JP)

(73) Assignee: **Sharp Kabushiki Kaisha**, Osaka (JP)

(**) Term: **14 Years**

(21) Appl. No.: **29/139,074**

(22) Filed: **Mar. 26, 2001**

(30) **Foreign Application Priority Data**

Sep. 29, 2000 (JP) 12-027507

(51) **LOC (7) Cl.** **16-02**

(52) **U.S. Cl.** **D16/230; D16/225**

(58) **Field of Search** D16/200-205,
D16/208, 213, 221, 225, 230, 231, 234;
D21/514; 352/34, 242; 353/115, 119, 122

(56) **References Cited**

U.S. PATENT DOCUMENTS

- D. 343,850 2/1994 Saeki et al. .
- D. 356,103 3/1995 Saeki et al. .
- D. 364,416 11/1995 Saeki et al. .
- D. 365,587 12/1995 Saeki et al. .
- D. 387,795 12/1997 Sakamoto .
- D. 388,111 12/1997 Iida .
- D. 389,503 * 1/1998 Shimizu et al. D16/230
- D. 391,592 3/1998 Sakamoto et al. .

- D. 398,321 9/1998 Iida .
- D. 398,622 9/1998 Saeki et al. .
- D. 400,903 * 11/1998 Miyagawa et al. D16/225
- D. 412,926 8/1999 Saeki et al. .
- D. 419,172 1/2000 Saeki et al. .
- D. 428,619 7/2000 Saeki et al. .
- D. 434,430 11/2000 Saeki et al. .
- D. 437,337 * 2/2001 Kawasaki et al. D16/230
- D. 437,607 * 2/2001 Takahashi D16/230

OTHER PUBLICATIONS

Elmo catalog, Jun. 1999, p.3 (EDP 5700).*

* cited by examiner

Primary Examiner—Adir Aronovich

(74) *Attorney, Agent, or Firm*—Nixon & Vanderhye

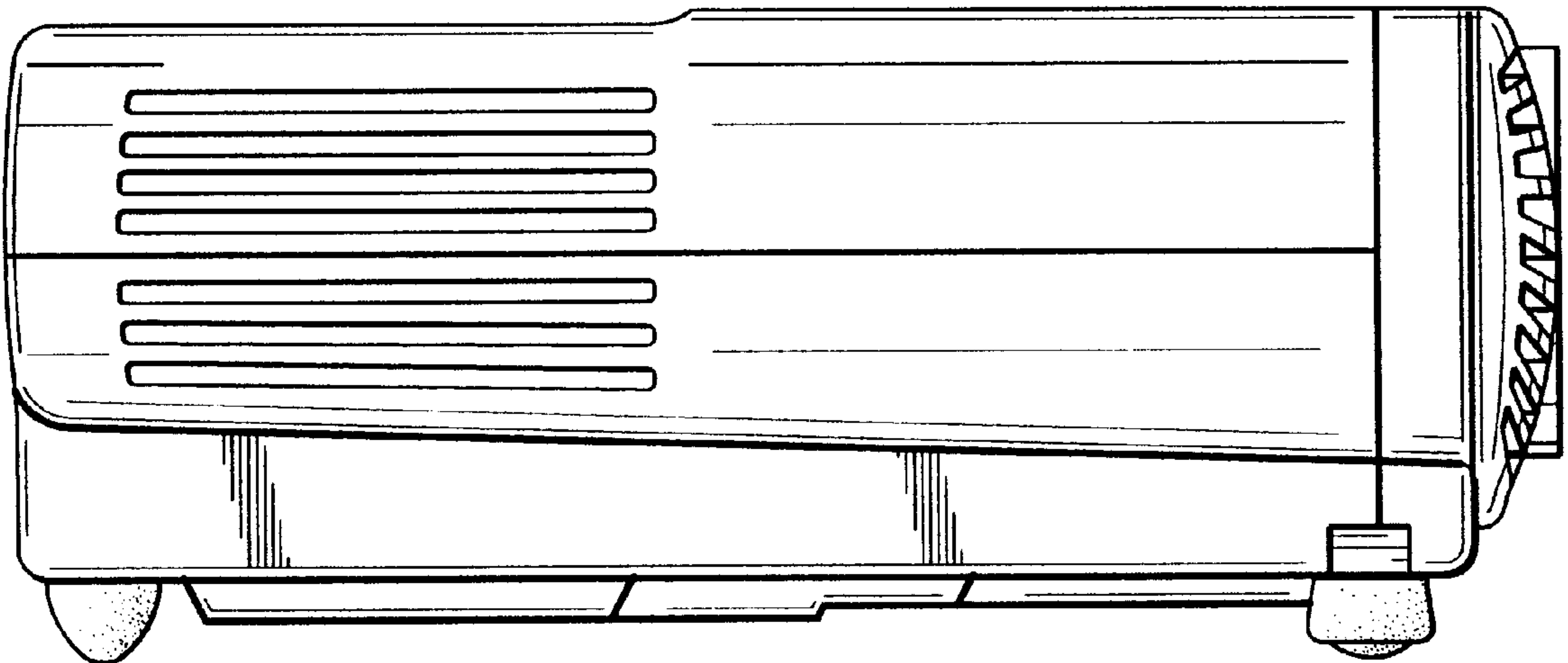
(57) **CLAIM**

The ornamental design for a “video projector”, as shown and described.

DESCRIPTION

FIG. 1 is a top, front and right side perspective view of a video projector according to our design;
 FIG. 2 is a top plan view thereof;
 FIG. 3 is a bottom plan view thereof;
 FIG. 4 is a front elevational view thereof;
 FIG. 5 is a rear elevational view thereof;
 FIG. 6 is a right side elevational view thereof; and,
 FIG. 7 is a left side elevational view thereof.

1 Claim, 5 Drawing Sheets



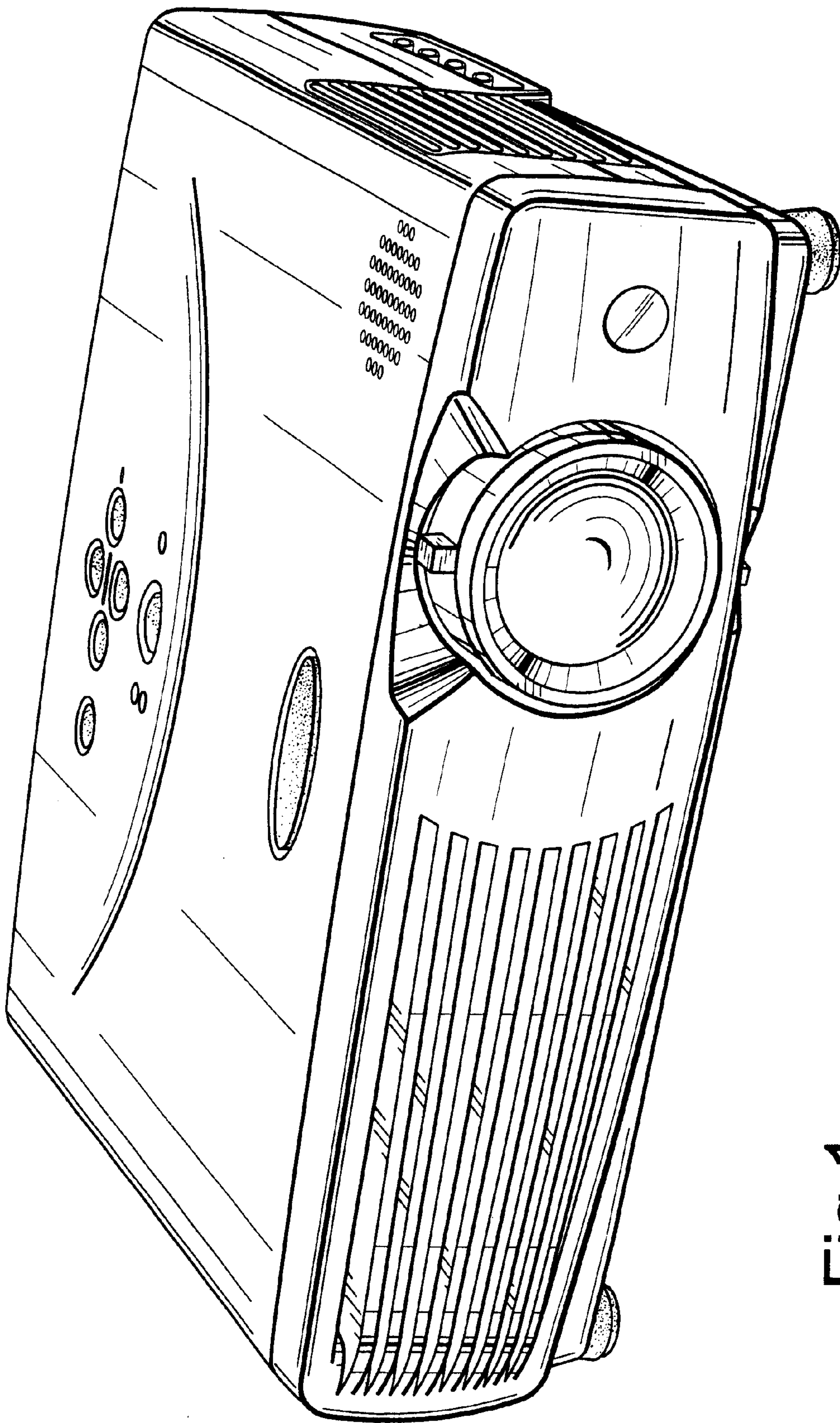


Fig.1

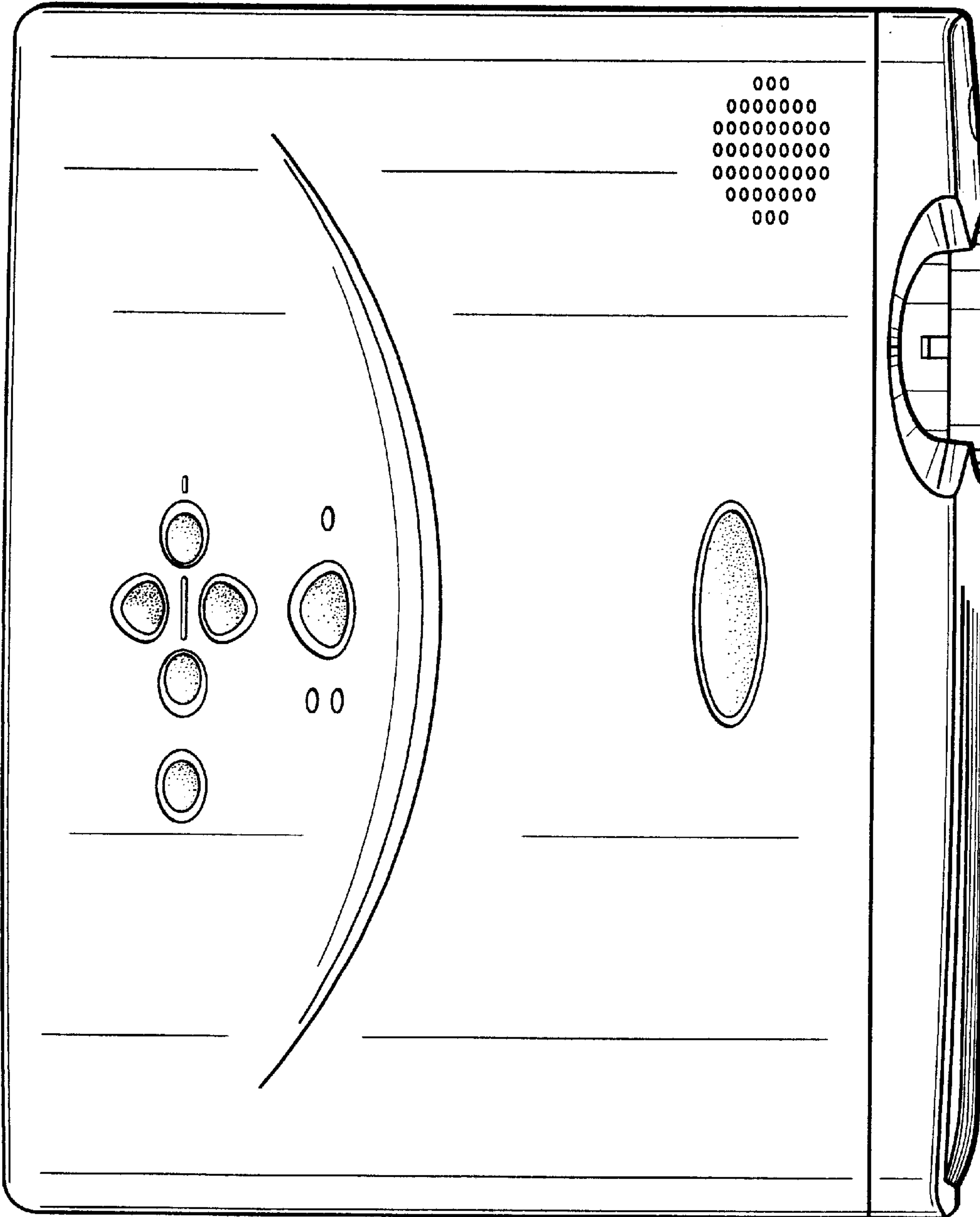


Fig. 2

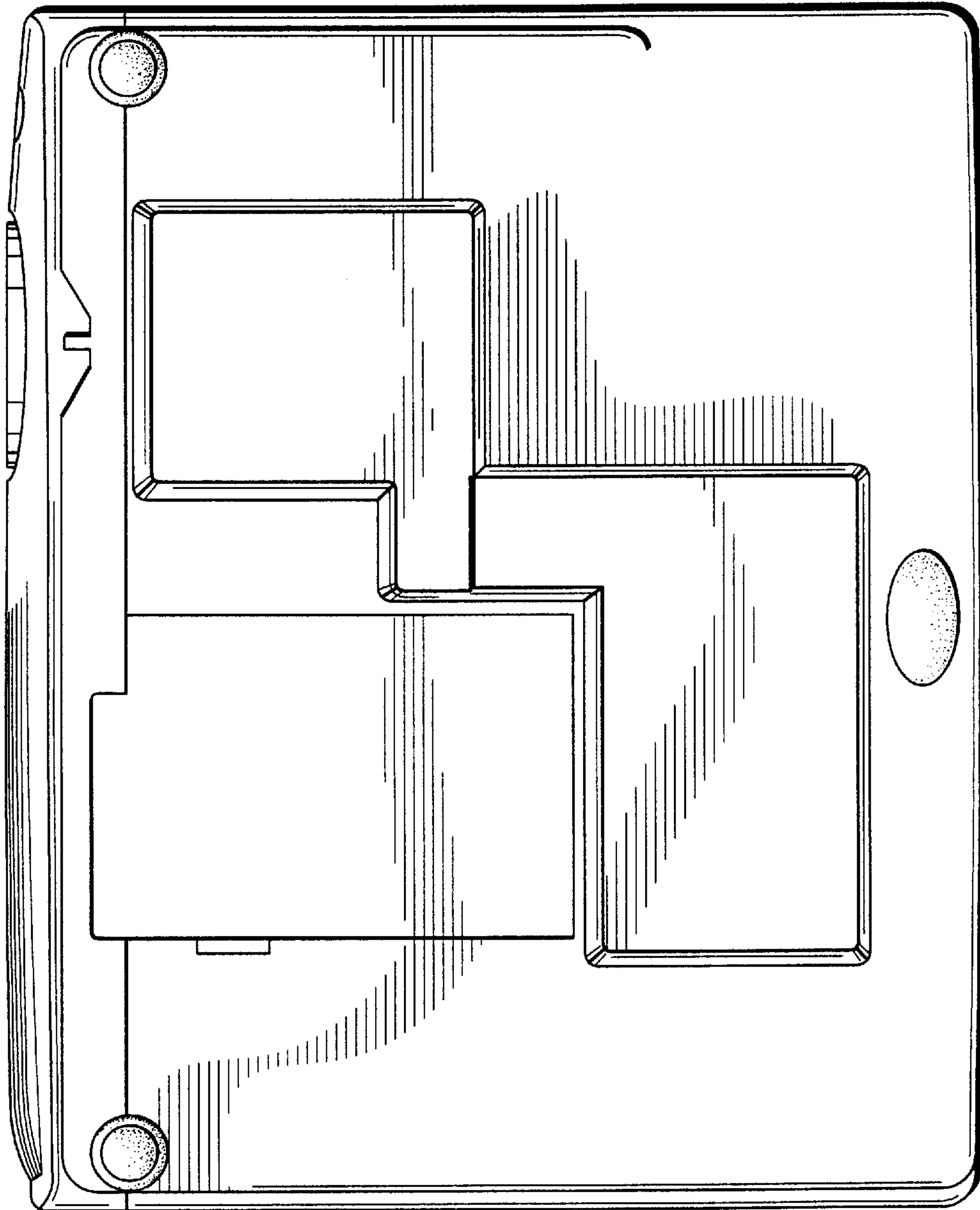


Fig.3

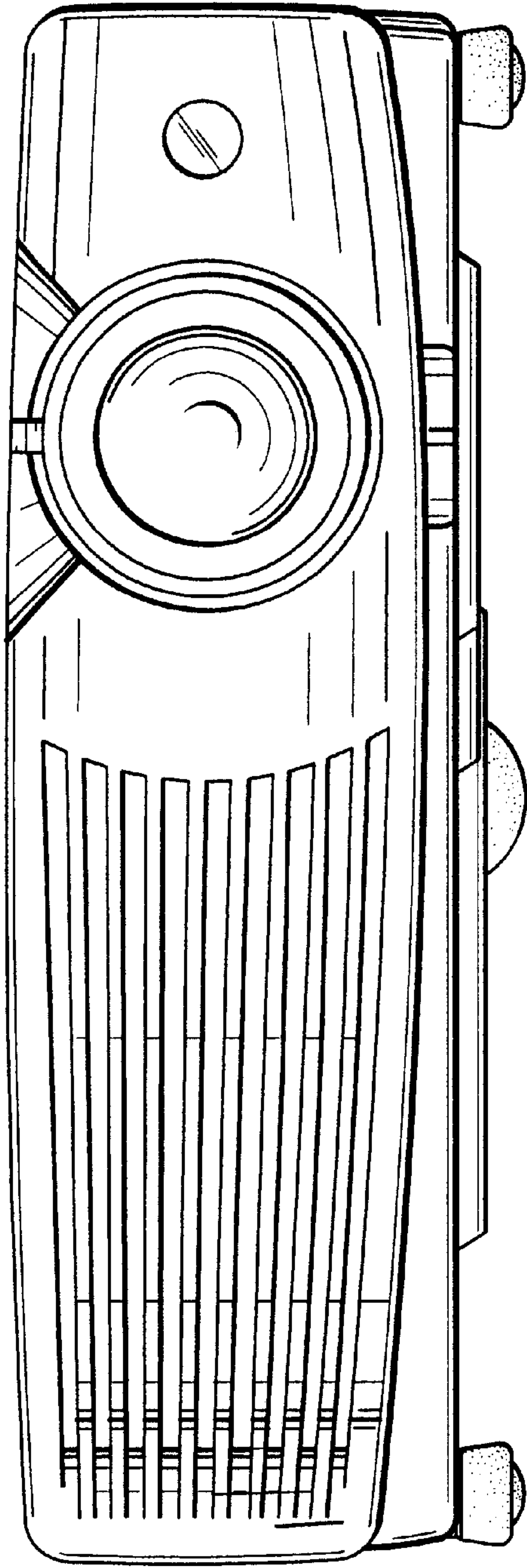


Fig. 4

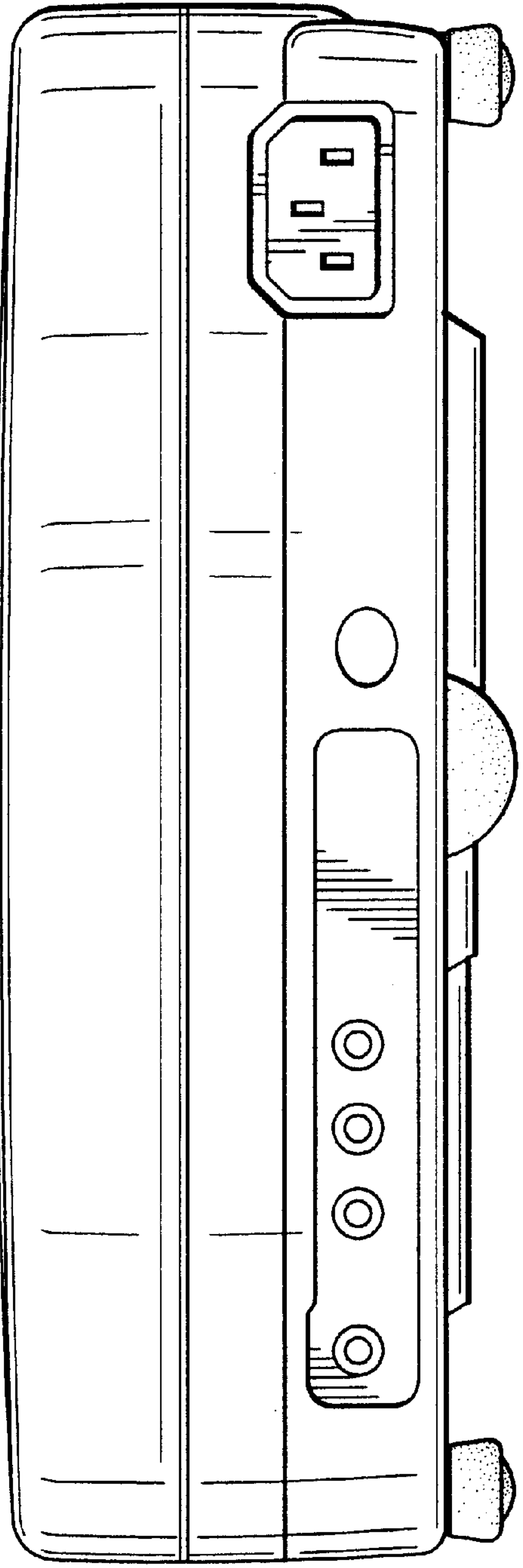


Fig. 5

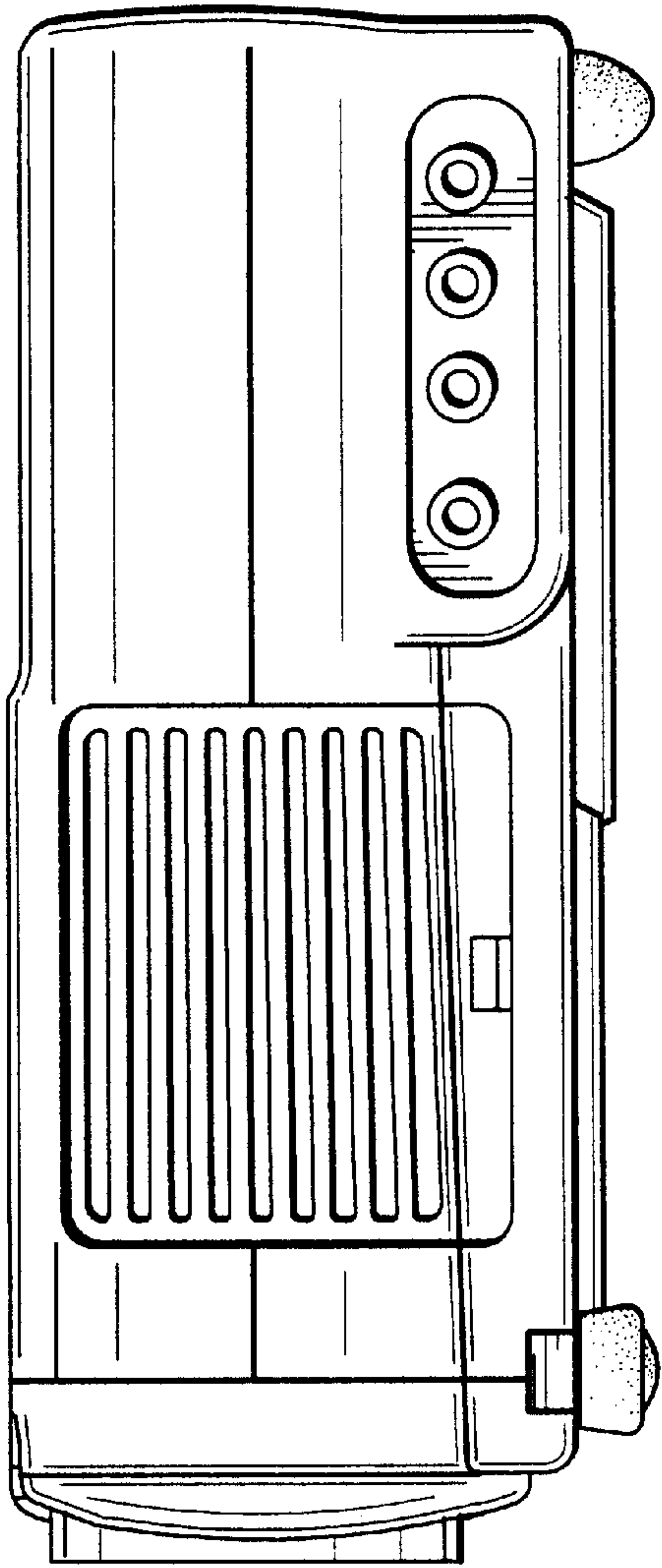


Fig. 6

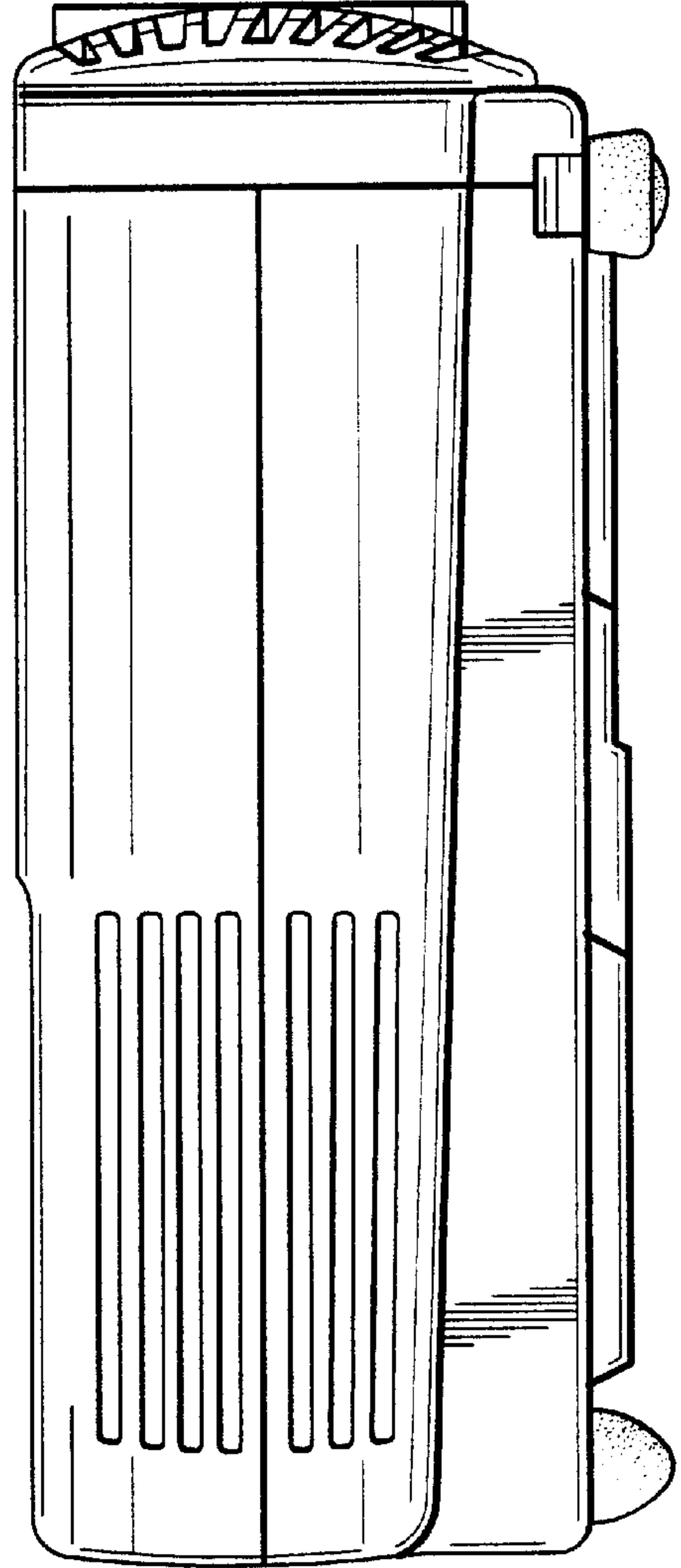


Fig. 7