



US00D449058B1

(12) **United States Design Patent**
Yamazaki et al.

(10) **Patent No.:** **US D449,058 S**

(45) **Date of Patent:** **** *Oct. 9, 2001**

(54) **ELECTRONIC STILL CAMERA WITH A MONITOR**

4,945,372 * 7/1990 Higuchi et al. 396/379

OTHER PUBLICATIONS

(75) Inventors: **Akira Yamazaki; Atsushi Kawase,**
both of Tokyo (JP)

Catalog "93," pp. 218 & 219 (MVC-FD91, DSC-D770 & DSC-D700), Sony (Nov. 1999).

(73) Assignee: **Sony Corporation,** Tokyo (JP)

* cited by examiner

(**) Term: **14 Years**

Primary Examiner—Adir Aronovich

(74) *Attorney, Agent, or Firm*—Rader, Fishman & Grauer

(21) Appl. No.: **29/121,716**

(57) **CLAIM**

(22) Filed: **Apr. 13, 2000**

The ornamental design for an electronic still camera with a monitor, as shown and described.

(51) **LOC (7) Cl.** **16-01**

(52) **U.S. Cl.** **D16/202**

(58) **Field of Search** D16/200-206,
D16/208, 217, 218; 348/373-376; 358/909.1,
906; 396/61, 379, 535-541

DESCRIPTION

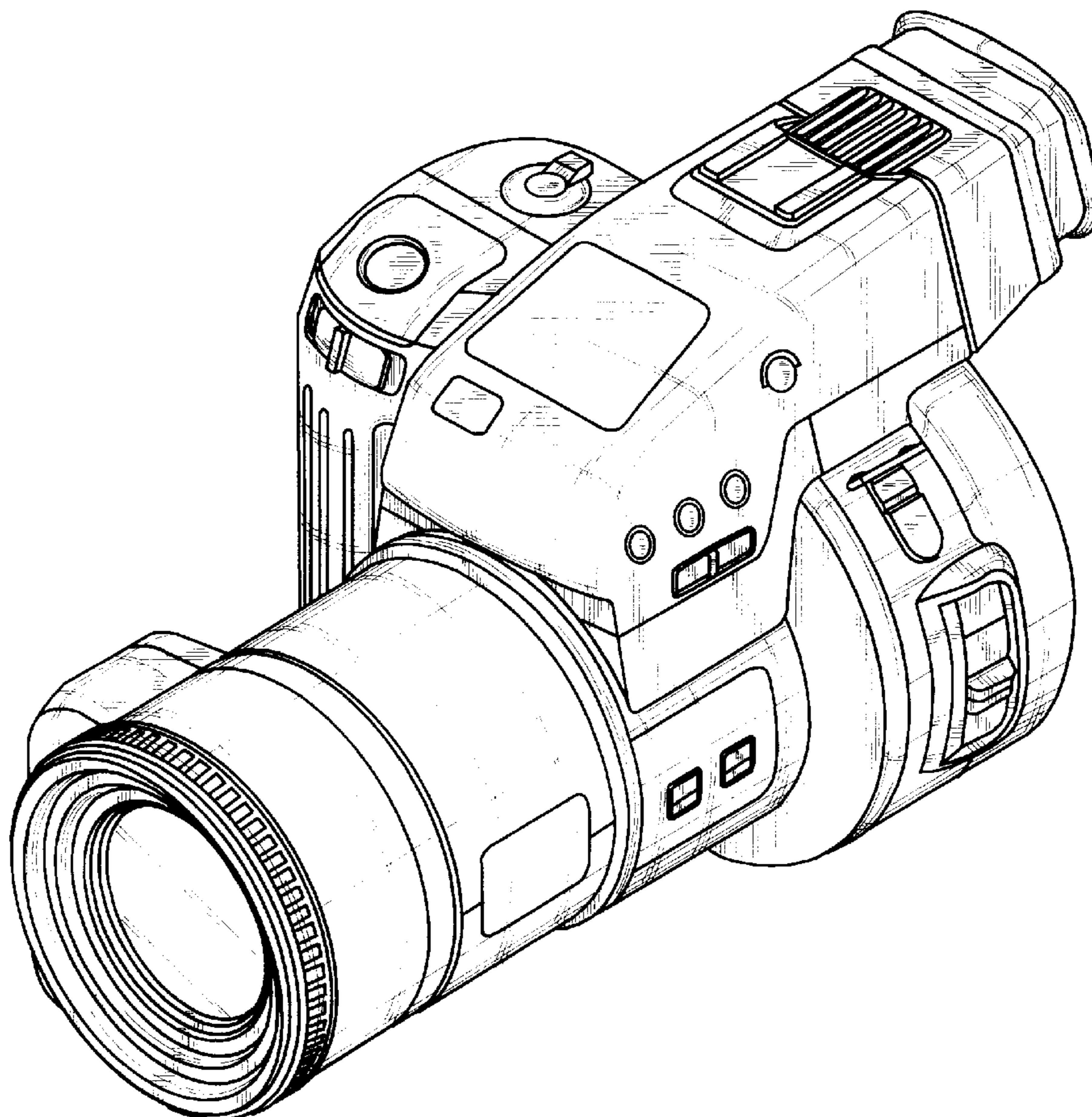
(56) **References Cited**

U.S. PATENT DOCUMENTS

- D. 330,562 * 10/1992 Takada et al. D16/202
- D. 402,301 * 12/1998 Sekine D16/202
- D. 417,271 * 11/1999 Ikenaga D16/202
- D. 425,095 * 5/2000 Watarai et al. D16/217
- D. 426,248 * 6/2000 Sumita D16/202

FIG. 1 is a perspective view of an electronic still camera with a monitor showing our design;
FIG. 2 is a top plan view thereof;
FIG. 3 is a bottom plan view thereof;
FIG. 4 is a left side elevational view thereof;
FIG. 5 is a right side elevational view thereof;
FIG. 6 is a front elevational view thereof; and,
FIG. 7 is a rear elevational view thereof.

1 Claim, 4 Drawing Sheets



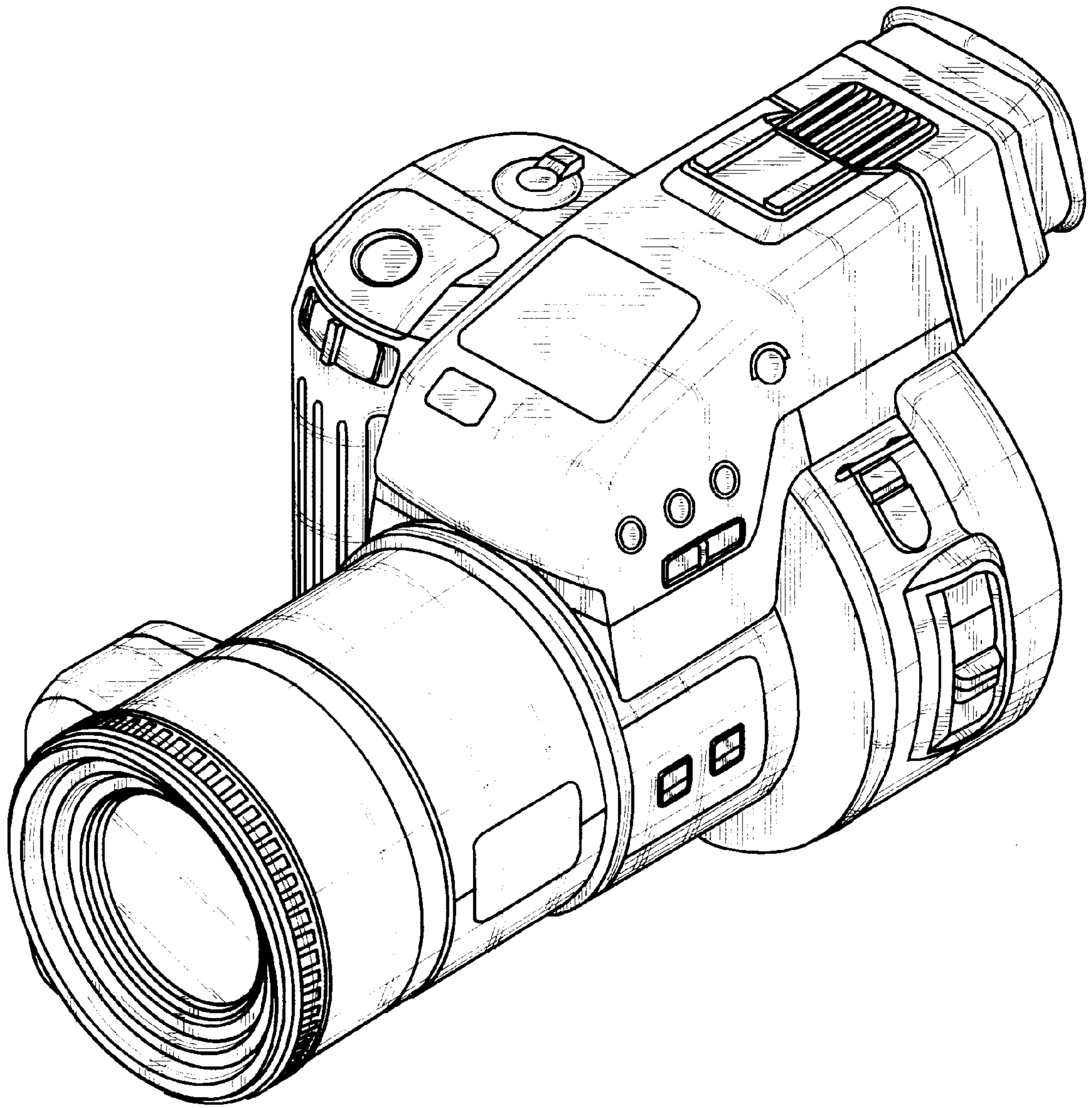


Fig. 1

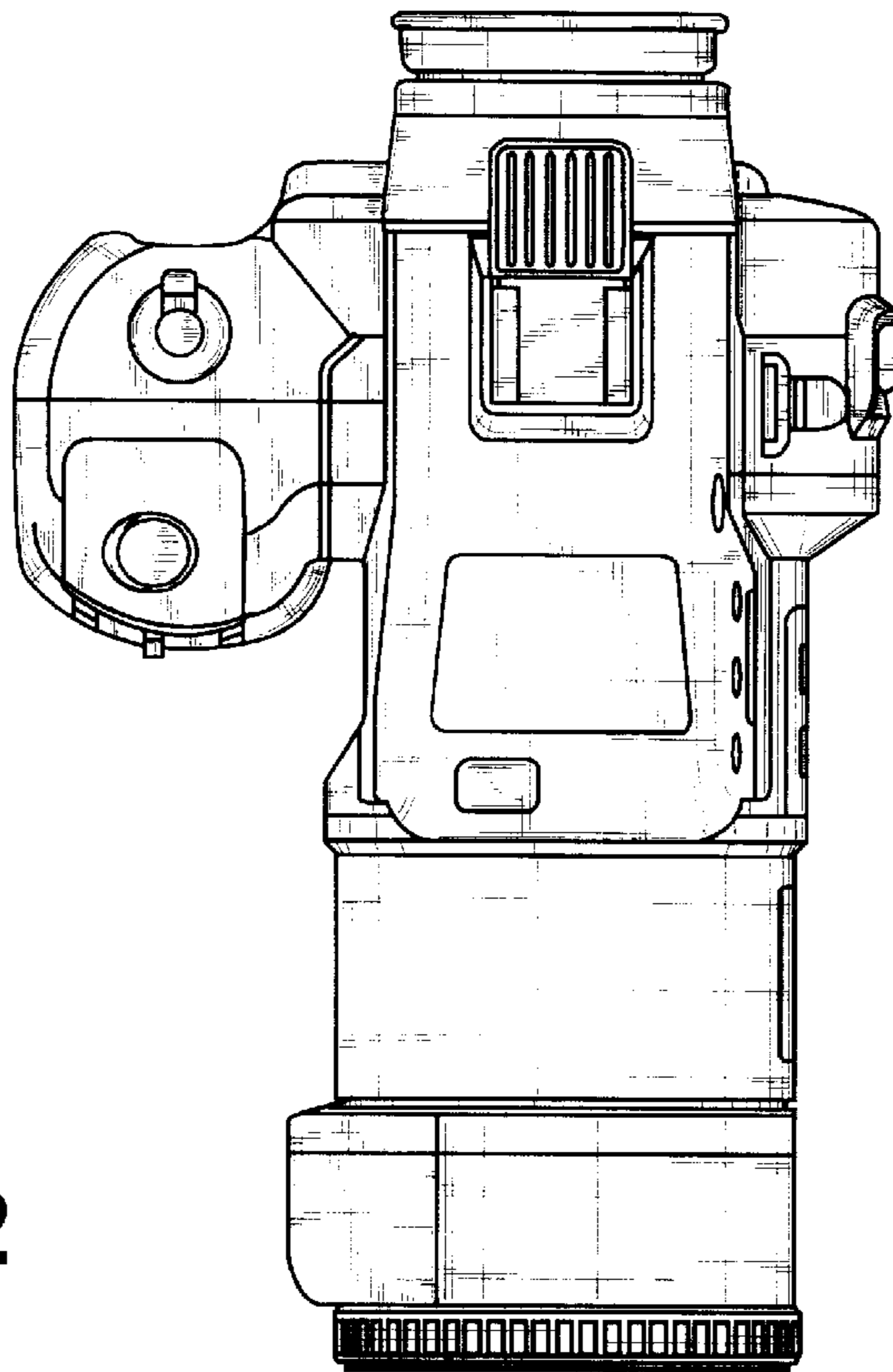


Fig. 2

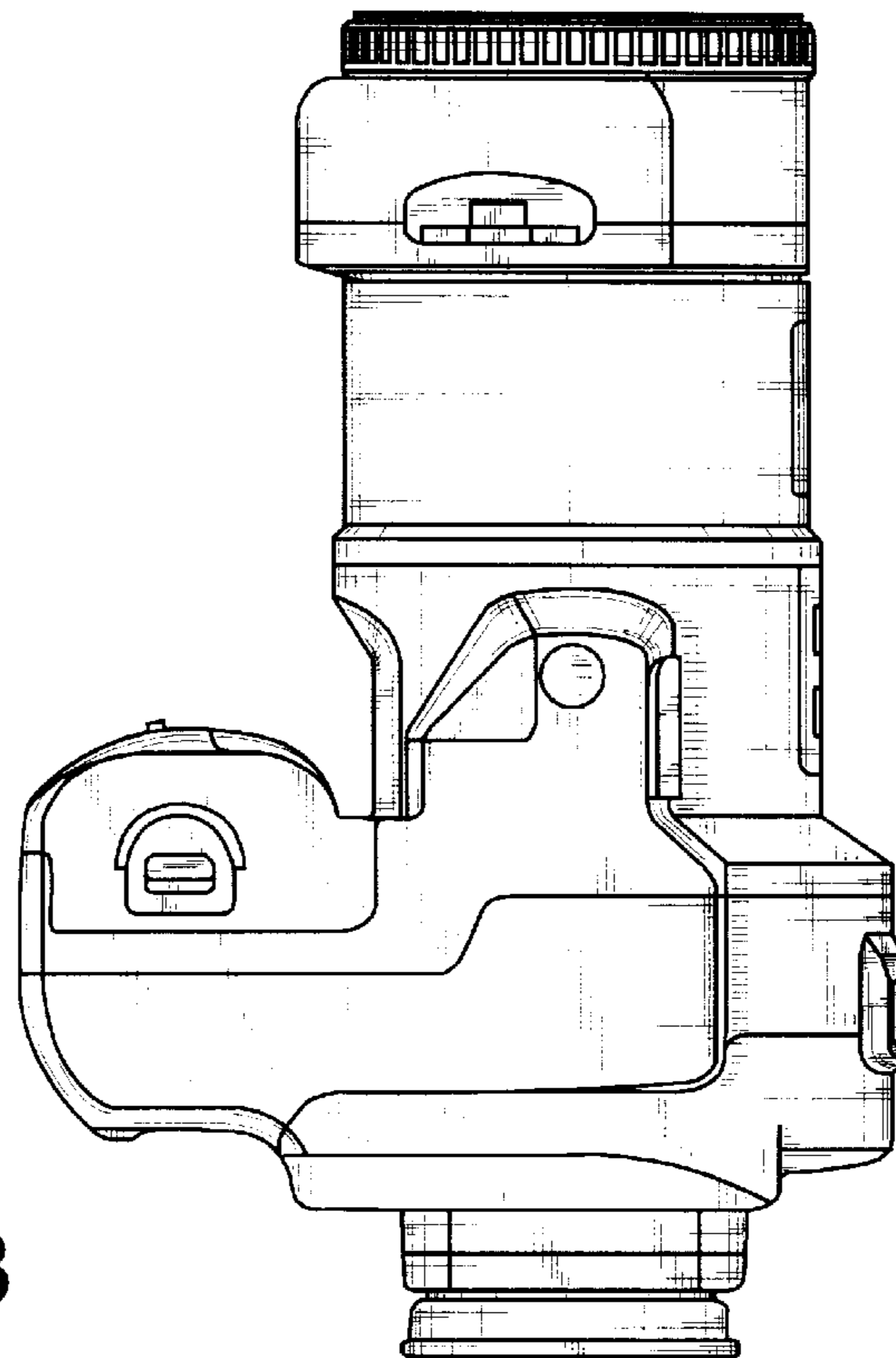


Fig. 3

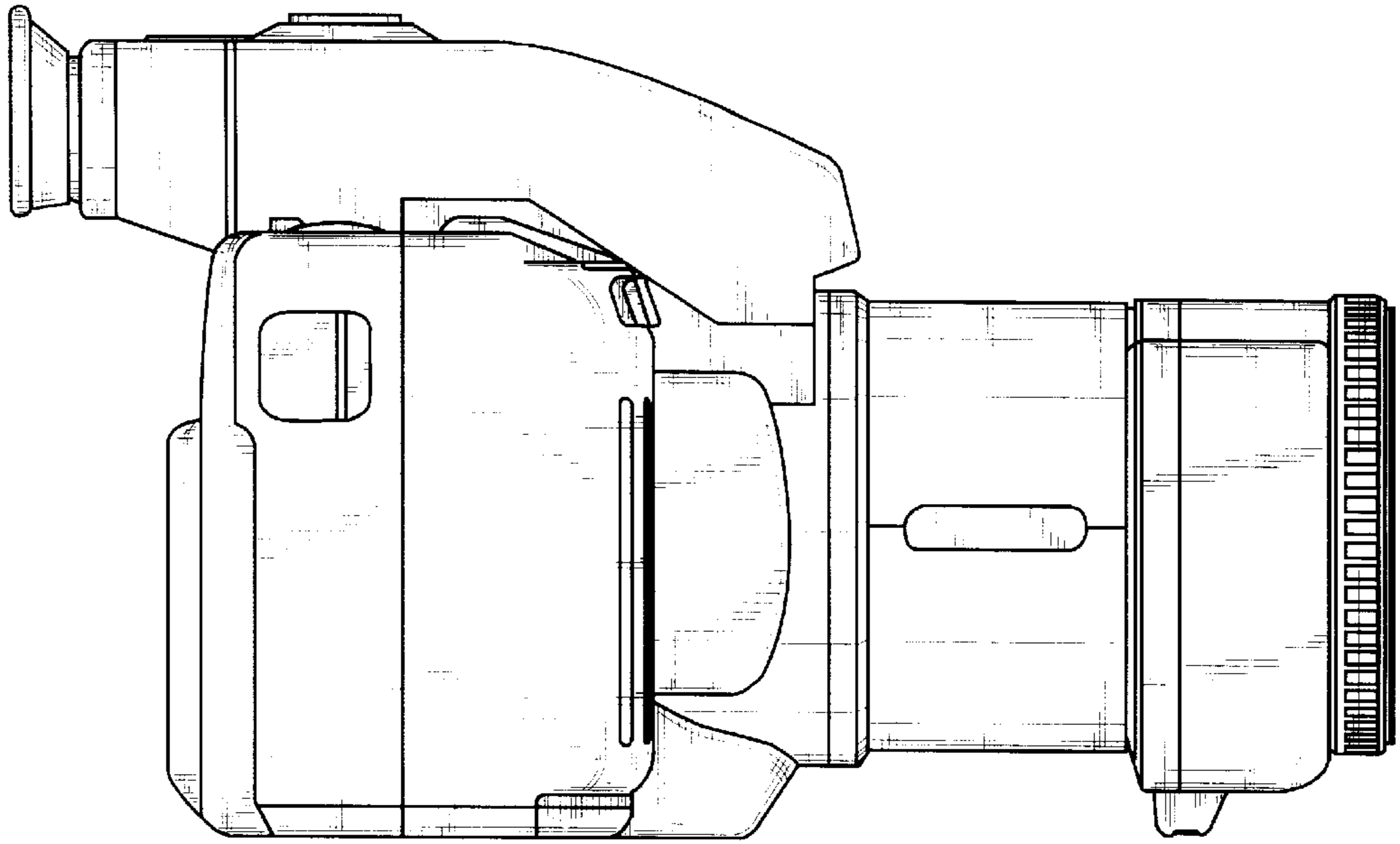


Fig. 4

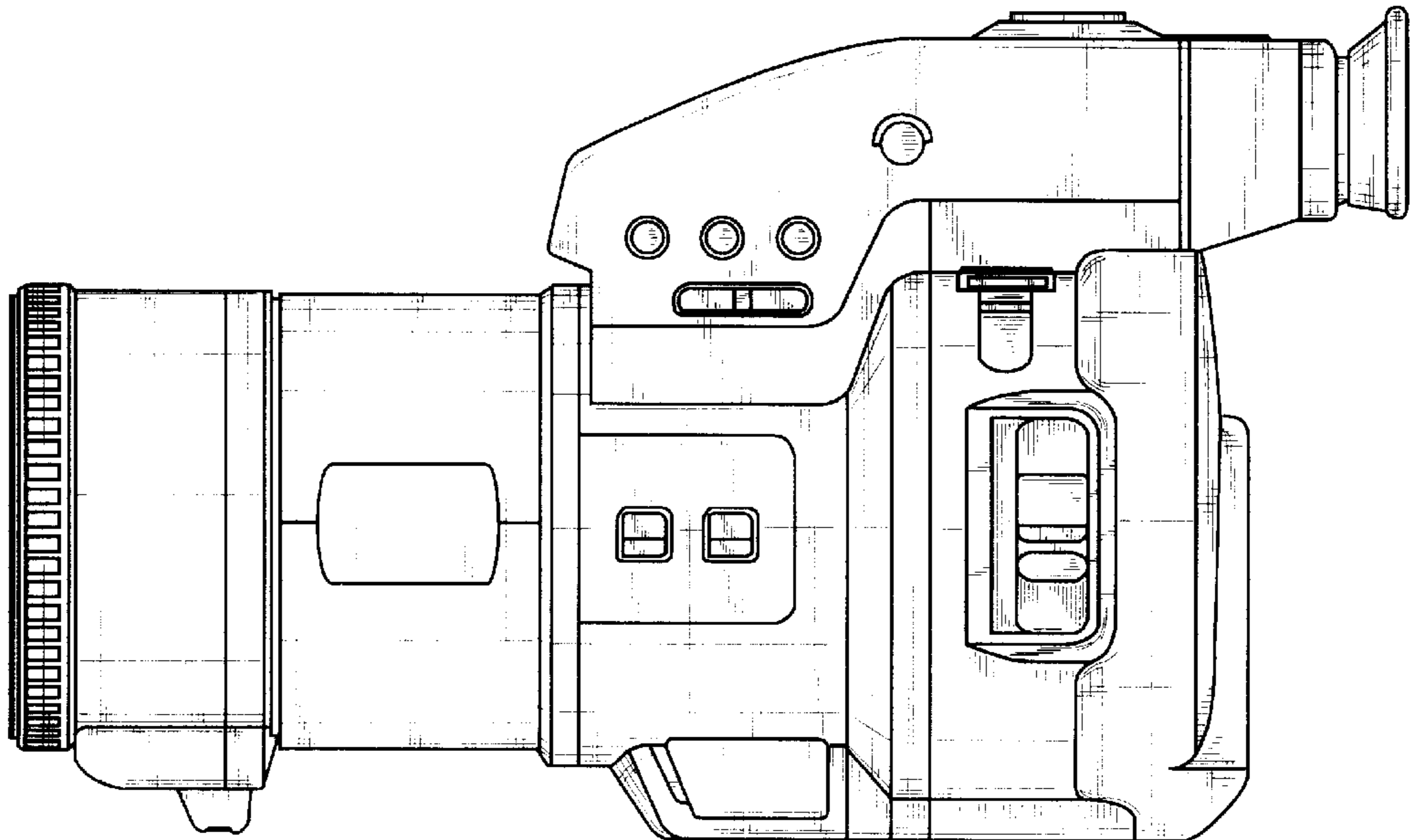


Fig. 5

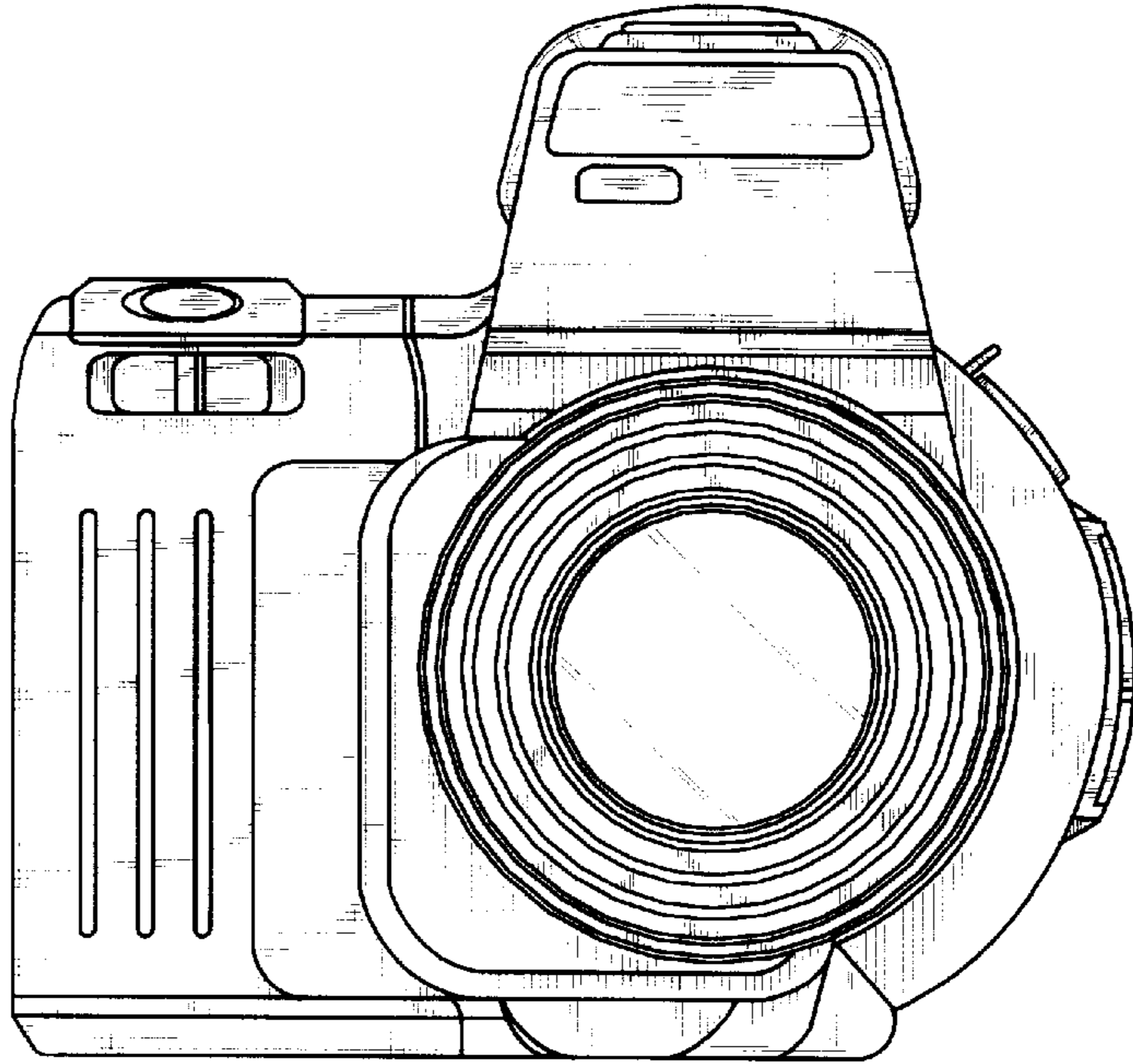


Fig. 6

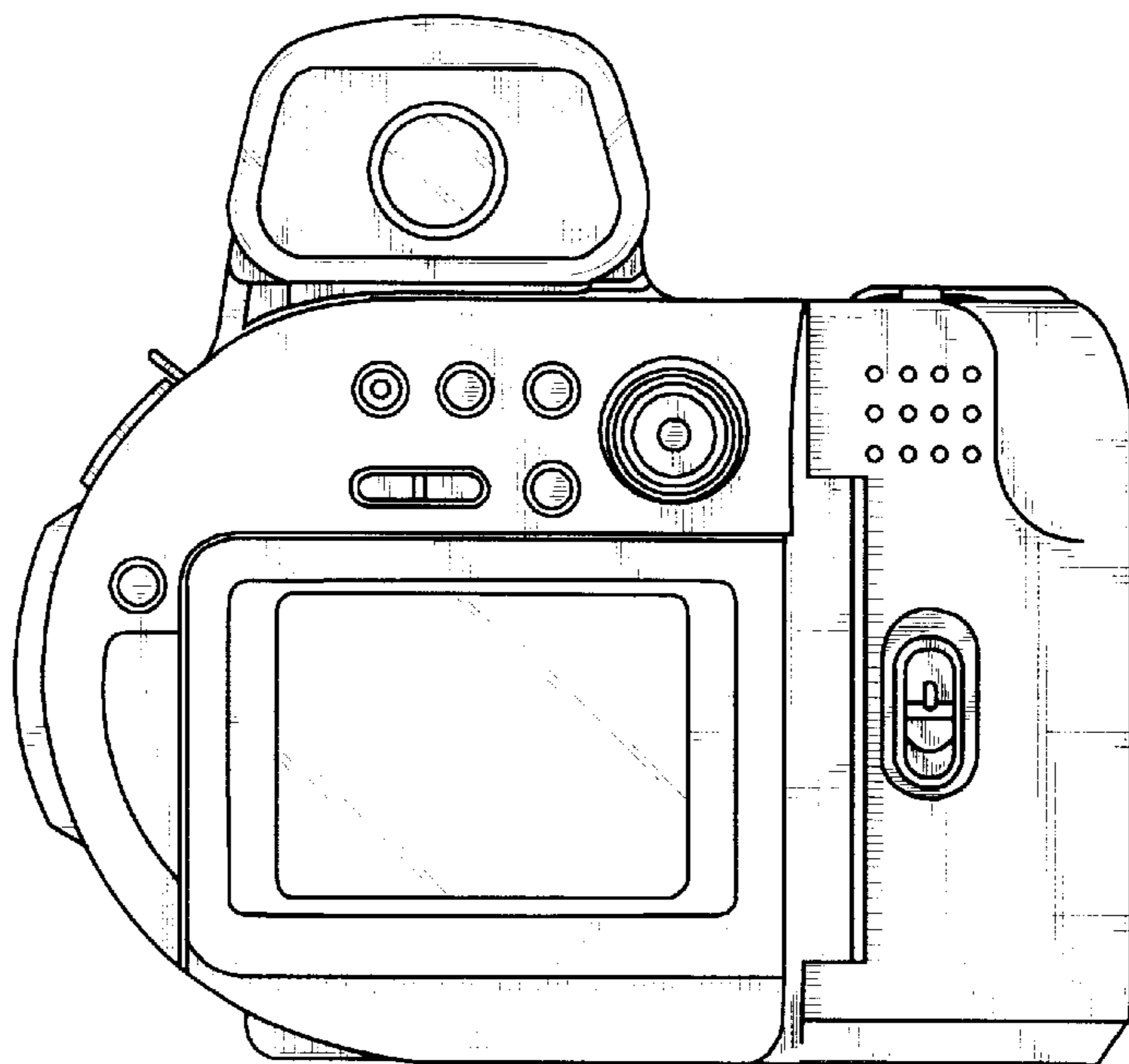


Fig. 7