



US00D449056B1

(12) **United States Design Patent**  
**Westimayer et al.**

(10) **Patent No.:** **US D449,056 S**

(45) **Date of Patent:** **\*\* Oct. 9, 2001**

(54) **OUTER SURFACE OF A VEHICLE DECK**

(75) Inventors: **David Anthony Westimayer**, Horicon;  
**Matthew Paul Gueller**, Slinger, both of  
WI (US); **Daniel Robert Nickles**, St.  
Thomas, VI (US); **Thomas Howard**  
**Ward**, Ventura, CA (US)

(73) Assignee: **Deere & Company**, Moline, IL (US)

(\*\*) Term: **14 Years**

(21) Appl. No.: **29/132,229**

(22) Filed: **Nov. 3, 2000**

(51) **LOC (7) Cl.** ..... **15-03**

(52) **U.S. Cl.** ..... **D15/28**

(58) **Field of Search** ..... D15/14-18, 23,  
D15/28; 56/13.3, 13.4, 16.1, 15.8, 15.9,  
16.7, 17.4, 202, 255, 294, 320.1, 320.2;  
180/900, 273, 68.6, 69.21

(56) **References Cited**

**U.S. PATENT DOCUMENTS**

D. 209,043	*	10/1967	Purcell et al.	.....	D15/28
D. 248,397	*	7/1978	Cognata et al.	.....	D15/15
D. 297,538	*	9/1988	Ogasawara et al.	.....	D15/15
D. 310,374		9/1990	Westimayer et al.	.....	D15/15
D. 311,543		10/1990	Hardzinski et al.	.....	D15/17
D. 329,242		9/1992	Holm et al.	.....	D15/17
D. 354,756	*	1/1995	Hinklin	.....	D15/15
D. 365,573		12/1995	Westimayer et al.	.....	D15/17
D. 365,578		12/1995	Westimayer et al.	.....	D15/31
D. 371,372		7/1996	Westimayer et al.	.....	D15/31
D. 381,341		7/1997	Goebert et al.	.....	D15/31

D. 382,279	*	8/1997	Goebert et al.	.....	D15/31
D. 392,982	*	3/1998	Smith	.....	D15/17
D. 421,266	*	2/2000	Hinklin	.....	D15/15
D. 427,205	*	6/2000	Shimizu	.....	D15/23
D. 440,233	*	4/2001	Smith	.....	D15/17
D. 440,982	*	4/2001	Knight et al.	.....	D15/23
4,620,575	*	11/1986	Cuba et al.	.....	180/307

\* cited by examiner

*Primary Examiner*—Mitchell Siegel

(57) **CLAIM**

The ornamental design for an outer surface of a vehicle deck, as shown and described.

**DESCRIPTION**

FIG. 1 is an elevated left front perspective view of an outer surface of a vehicle deck, showing our new design, the broken line showing of the vehicle being for illustrative purposes only, and forms no part of the claimed design.

FIG. 2 is a left front enlarged and elevated perspective view of the outer surface of a vehicle deck design of FIG. 1.

FIG. 3 is a plan view of the outer surface of a vehicle deck design of FIG. 1.

FIG. 4 is a left side view of the outer surface of a vehicle deck design of FIG. 1.

FIG. 5 is a right side view of the outer surface of a vehicle deck design of FIG. 1.

FIG. 6 is a rear view of the outer surface of a vehicle deck design of FIG. 1; and,

FIG. 7 is a front view of the outer surface of a vehicle deck design of FIG. 1.

**1 Claim, 3 Drawing Sheets**

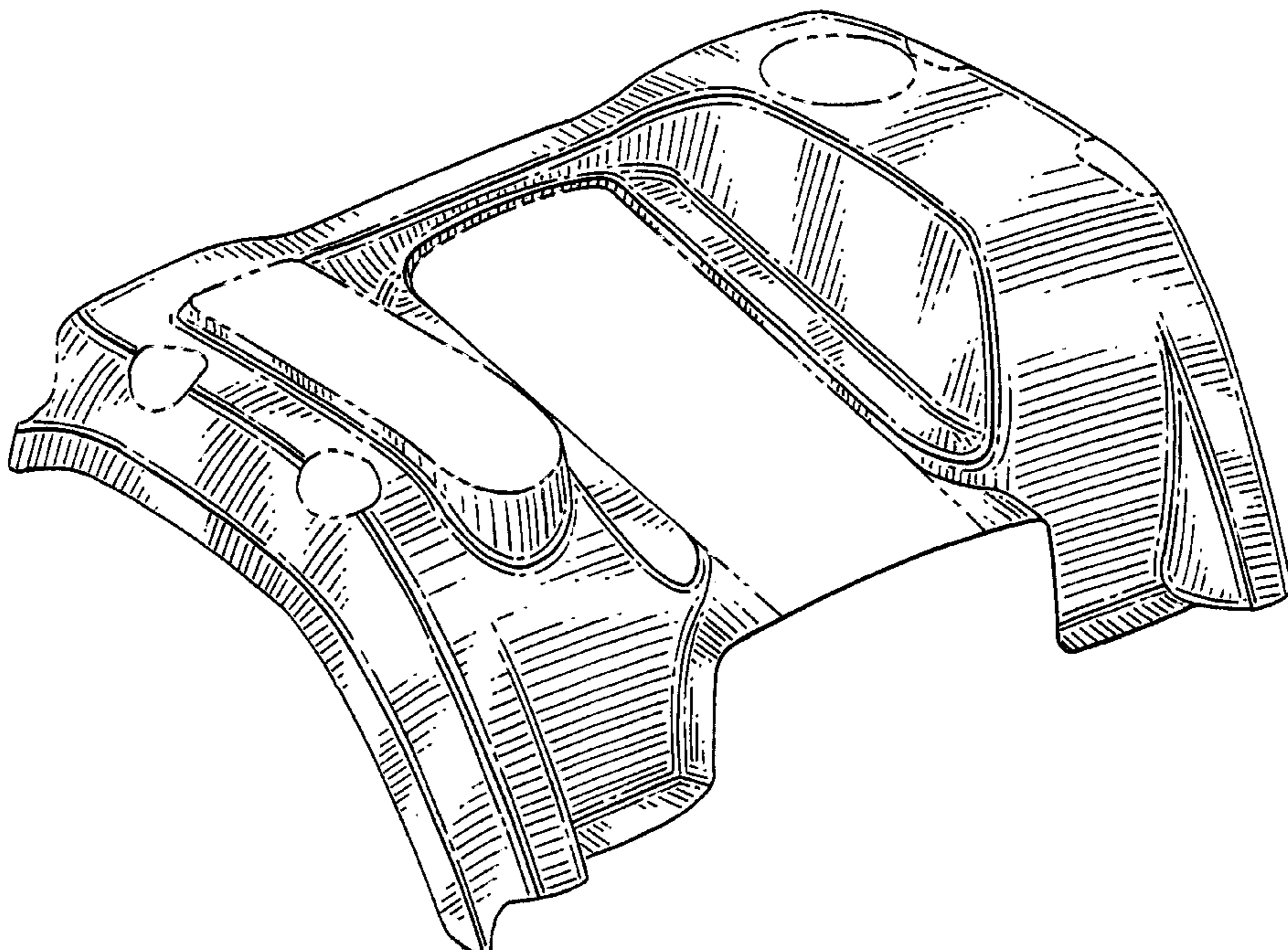
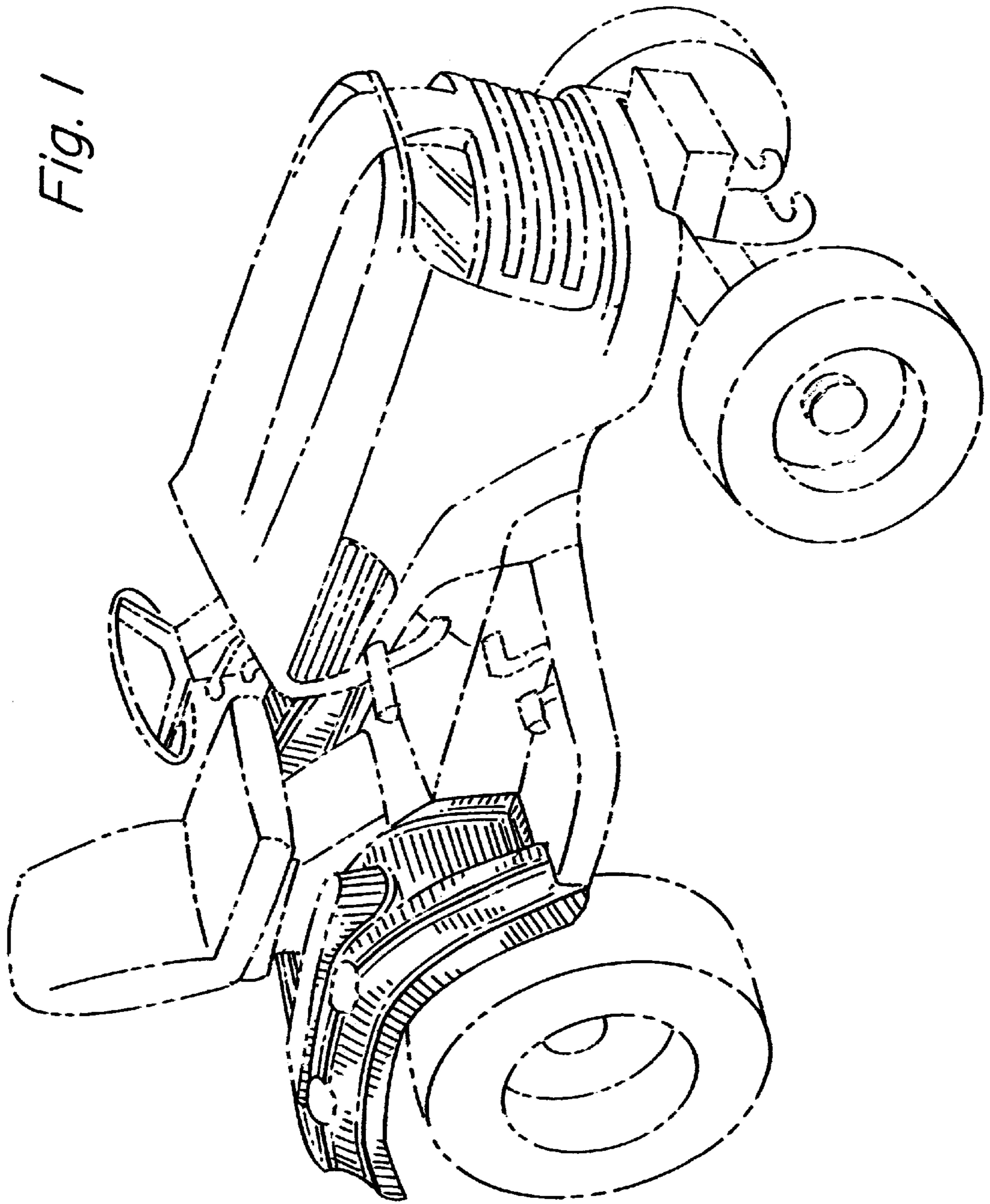


Fig. 1



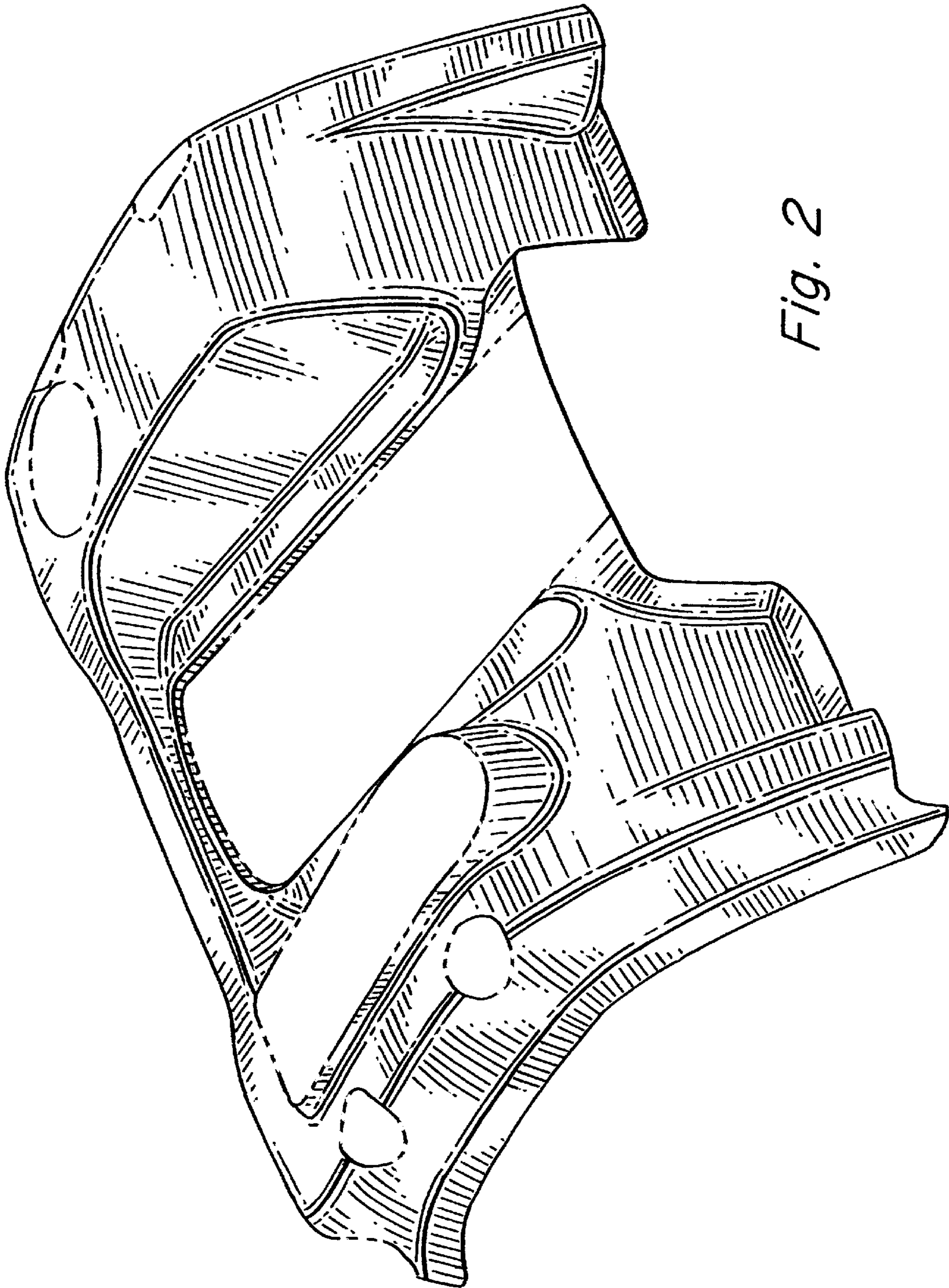
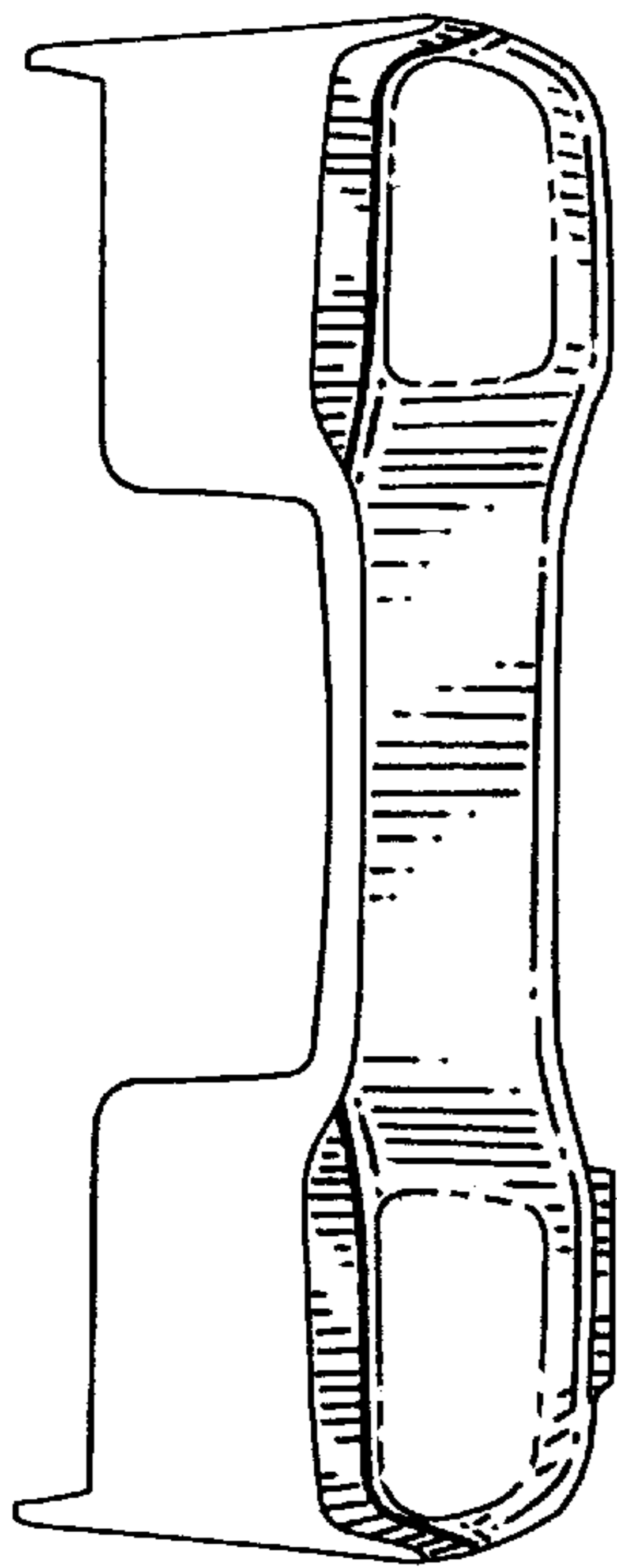
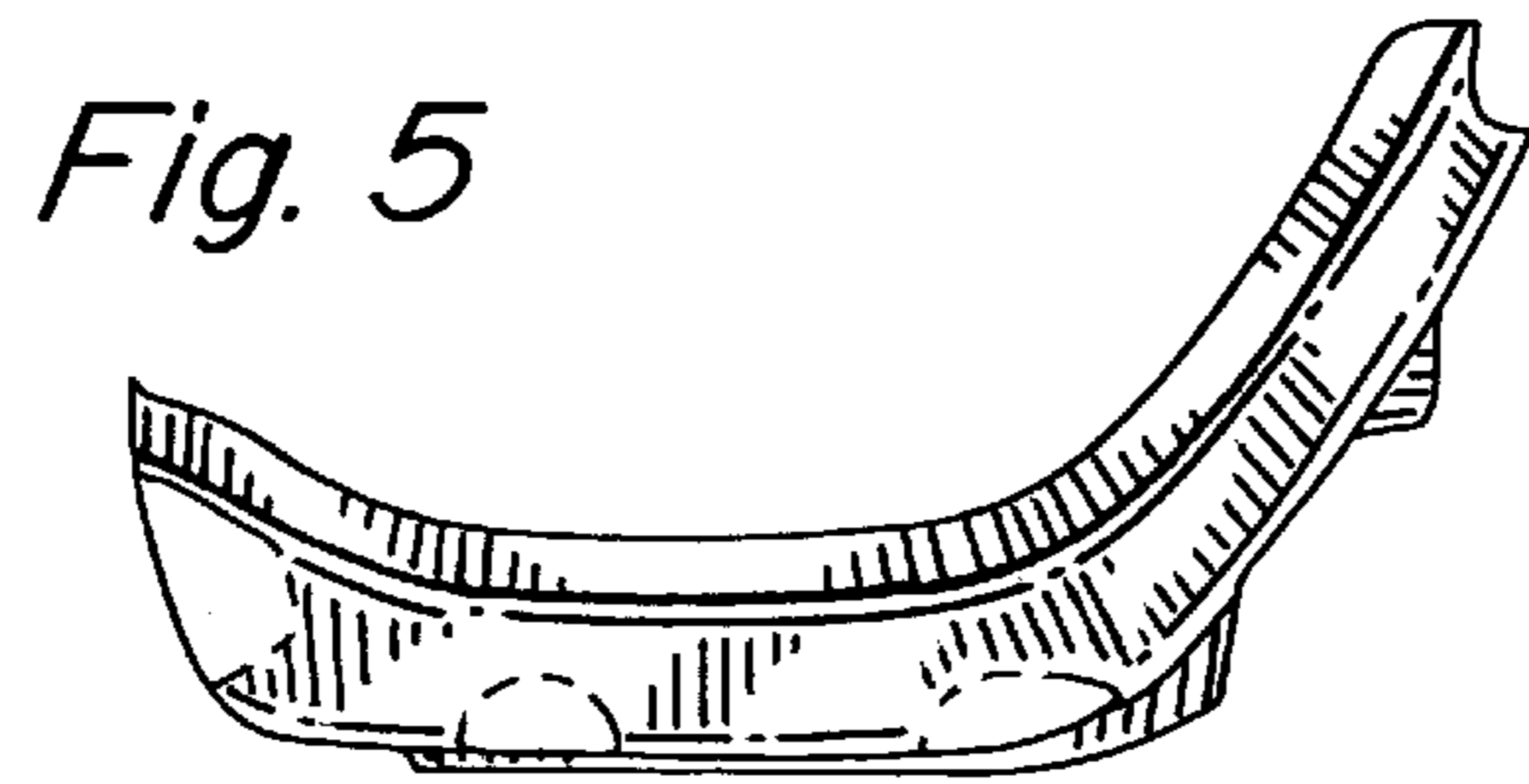
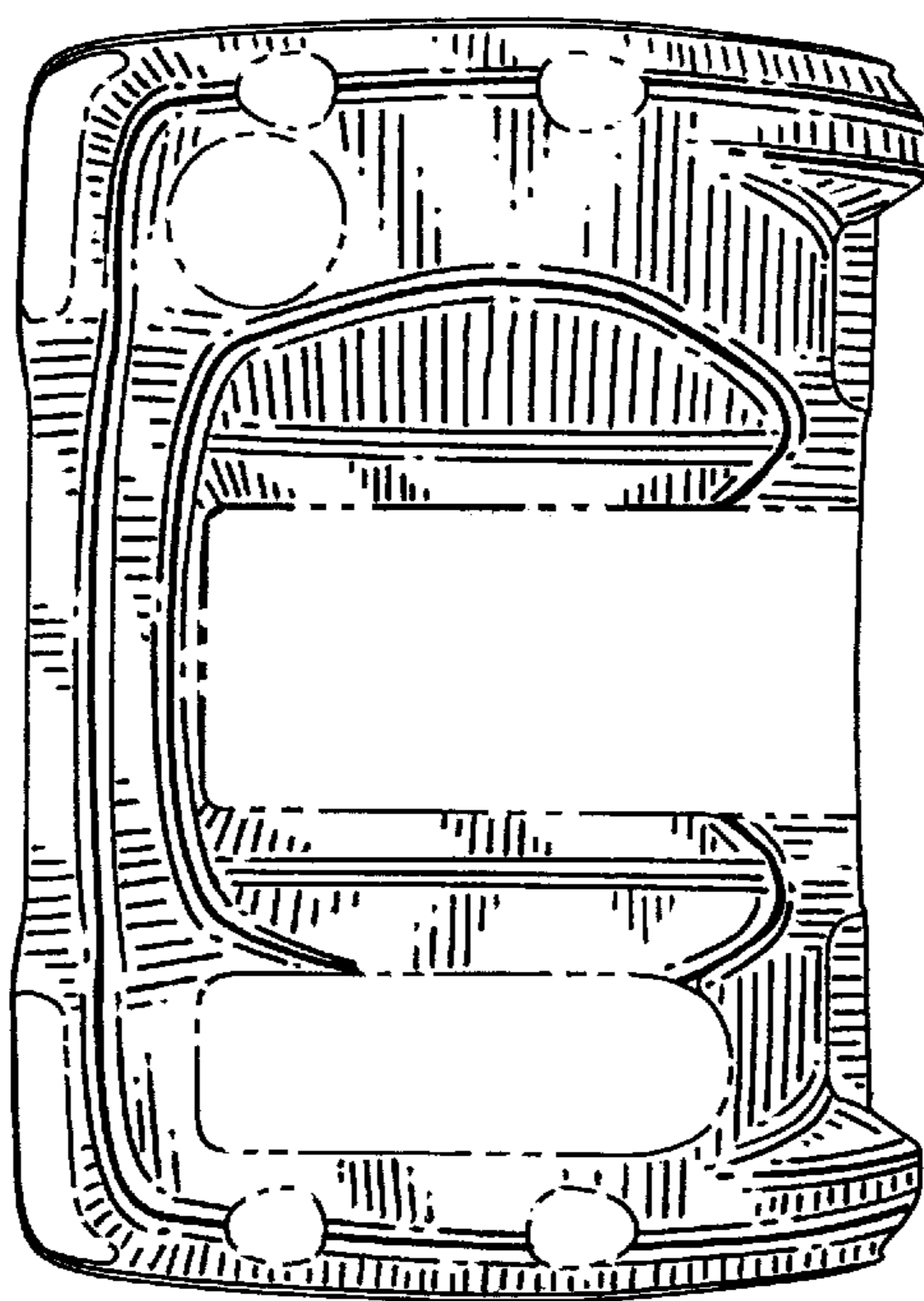


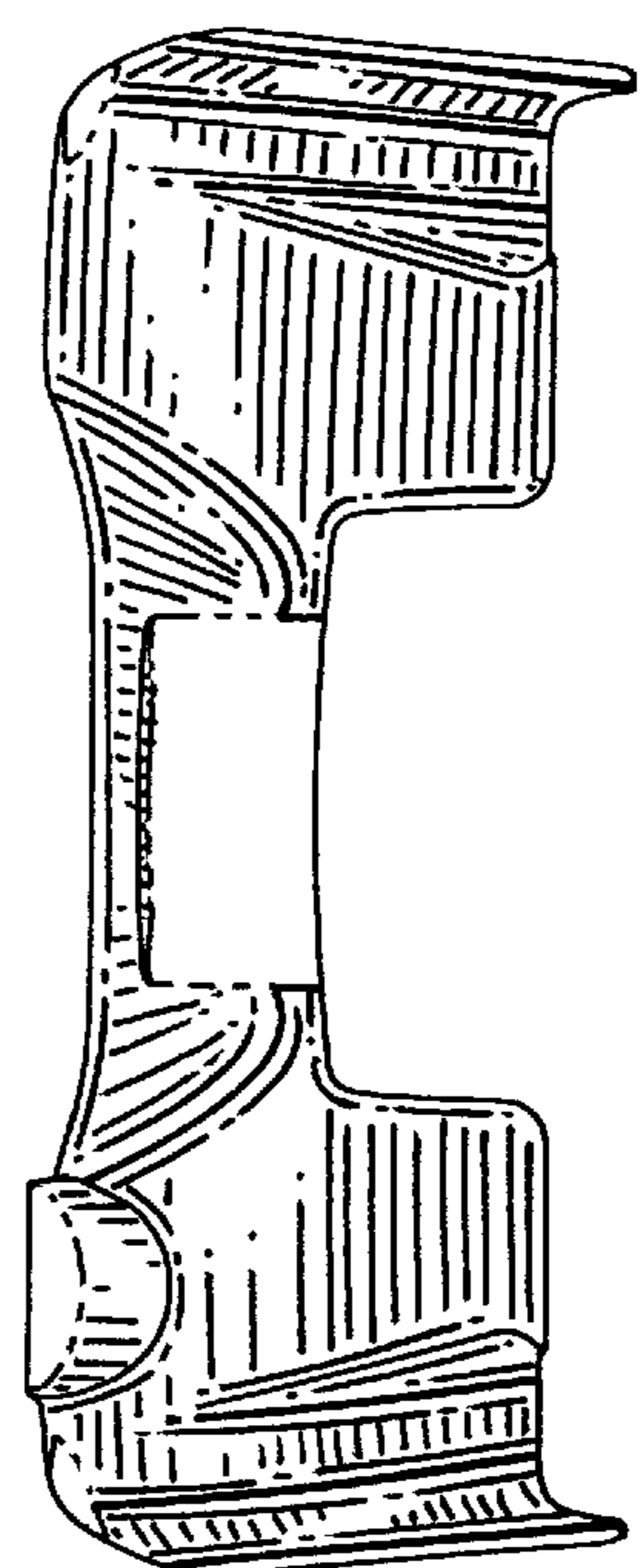
Fig. 2



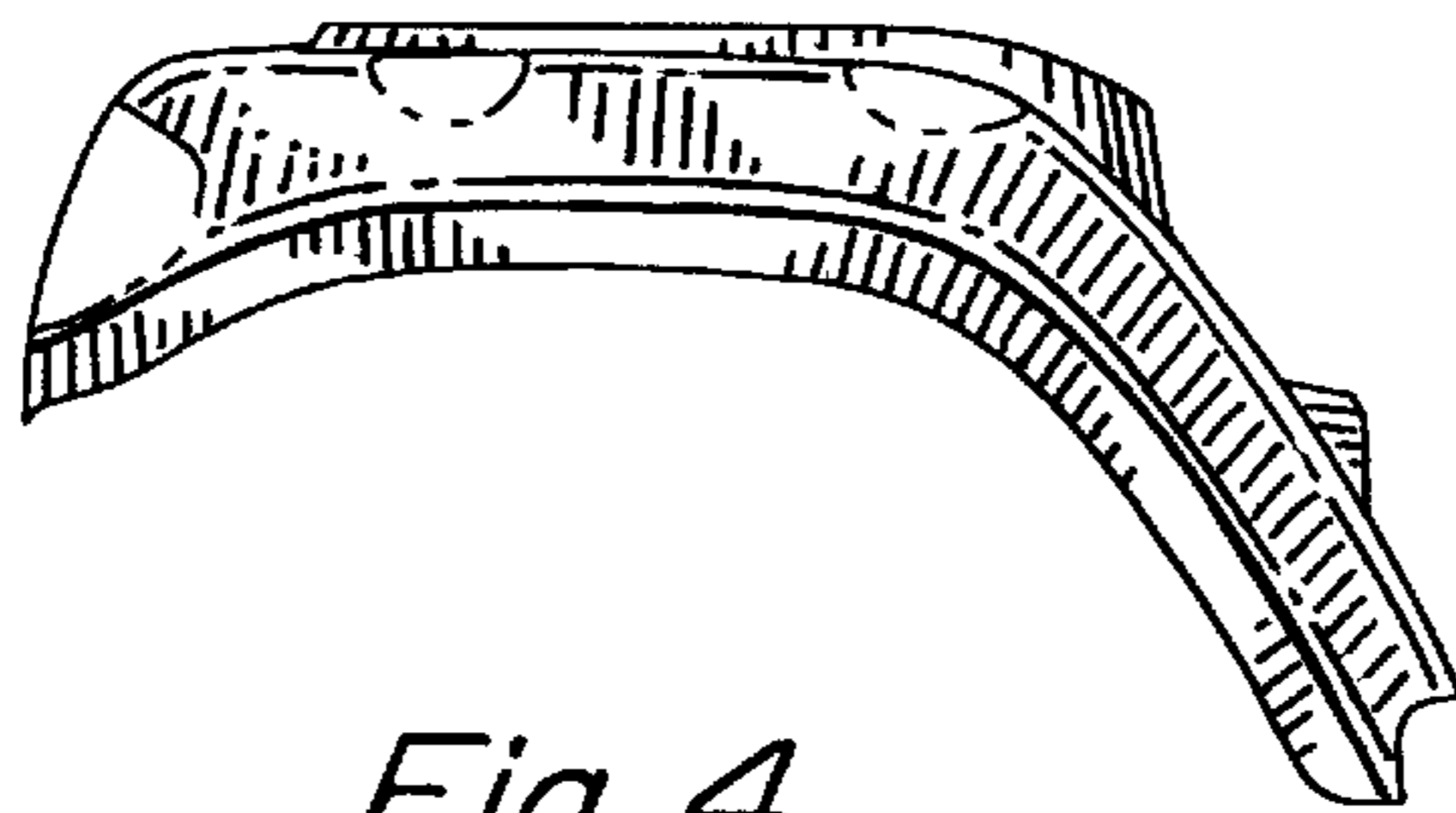
*Fig. 6*



*Fig. 3*



*Fig. 7*



*Fig. 4*