



US00D449055B1

(12) **United States Design Patent**
Guiet

(10) **Patent No.:** **US D449,055 S**

(45) **Date of Patent:** **** Oct. 9, 2001**

(54) **MOUNTING FRAME**

(75) Inventor: **Lionel Guiet**, Valay (FR)

(73) Assignee: **Deere & Company**, Moline, IL (US)

(**) Term: **14 Years**

(21) Appl. No.: **29/114,086**

(22) Filed: **Nov. 17, 1999**

(30) **Foreign Application Priority Data**

Jul. 9, 1999 (XH) DM/048 424

(51) **LOC (7) Cl.** **15-04**

(52) **U.S. Cl.** **D15/28**

(58) **Field of Search** D15/10, 22-28,
D15/32; 414/685, 686, 688, 722-724

(56) **References Cited**

U.S. PATENT DOCUMENTS

- D. 405,807 * 2/1999 Amy et al. D15/25
- 4,470,751 * 9/1984 Masuzawa et al. 414/686
- 5,129,780 * 7/1992 Stumpe 414/686
- 5,536,134 * 7/1996 Hirooka 414/686
- 5,620,297 * 4/1997 Mahaney 414/686
- 5,895,199 * 4/1999 Baumert, III et al. 414/686

5,984,618 * 11/1999 Deneve et al. 414/722

* cited by examiner

Primary Examiner—Sandra L. Morris

(57) **CLAIM**

The ornamental design for a mounting frame, as shown and described.

DESCRIPTION

FIG. 1 is a right side elevational view showing the right loader support of the new design, the broken line showing of the tractor and loader being for the sole purpose of showing the design in it's environment of use and forming no part of the claimed design.

FIG. 2 is a view like FIG. 1 but showing the left loader support of the new design.

FIG. 3 is a left front perspective view of the left loader support.

FIG. 4 is a left side elevational view of the right loader support.

FIG. 5 is a bottom perspective view of the left loader support; and,

FIG. 6 is a left side elevational view of the left loader support.

1 Claim, 6 Drawing Sheets

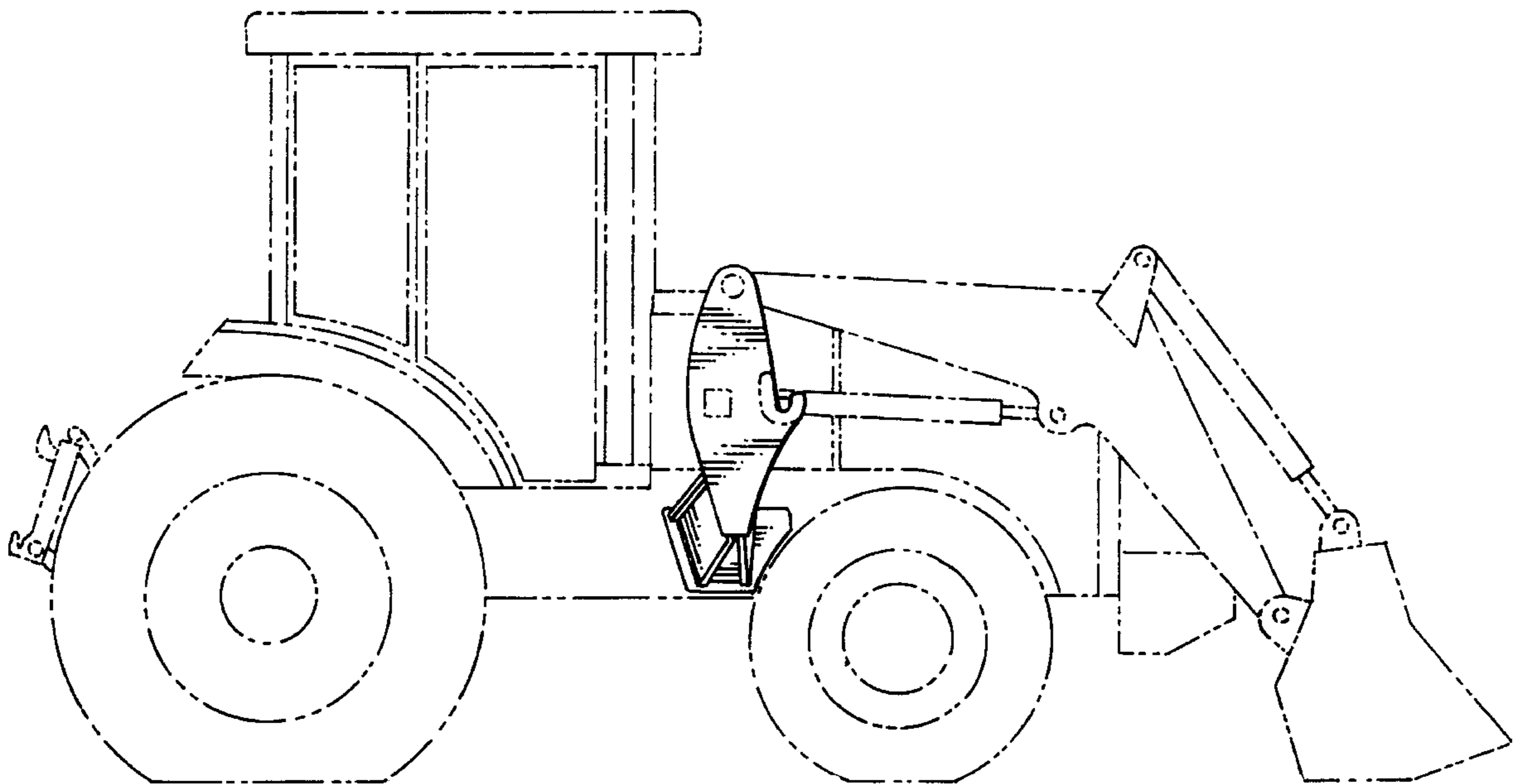
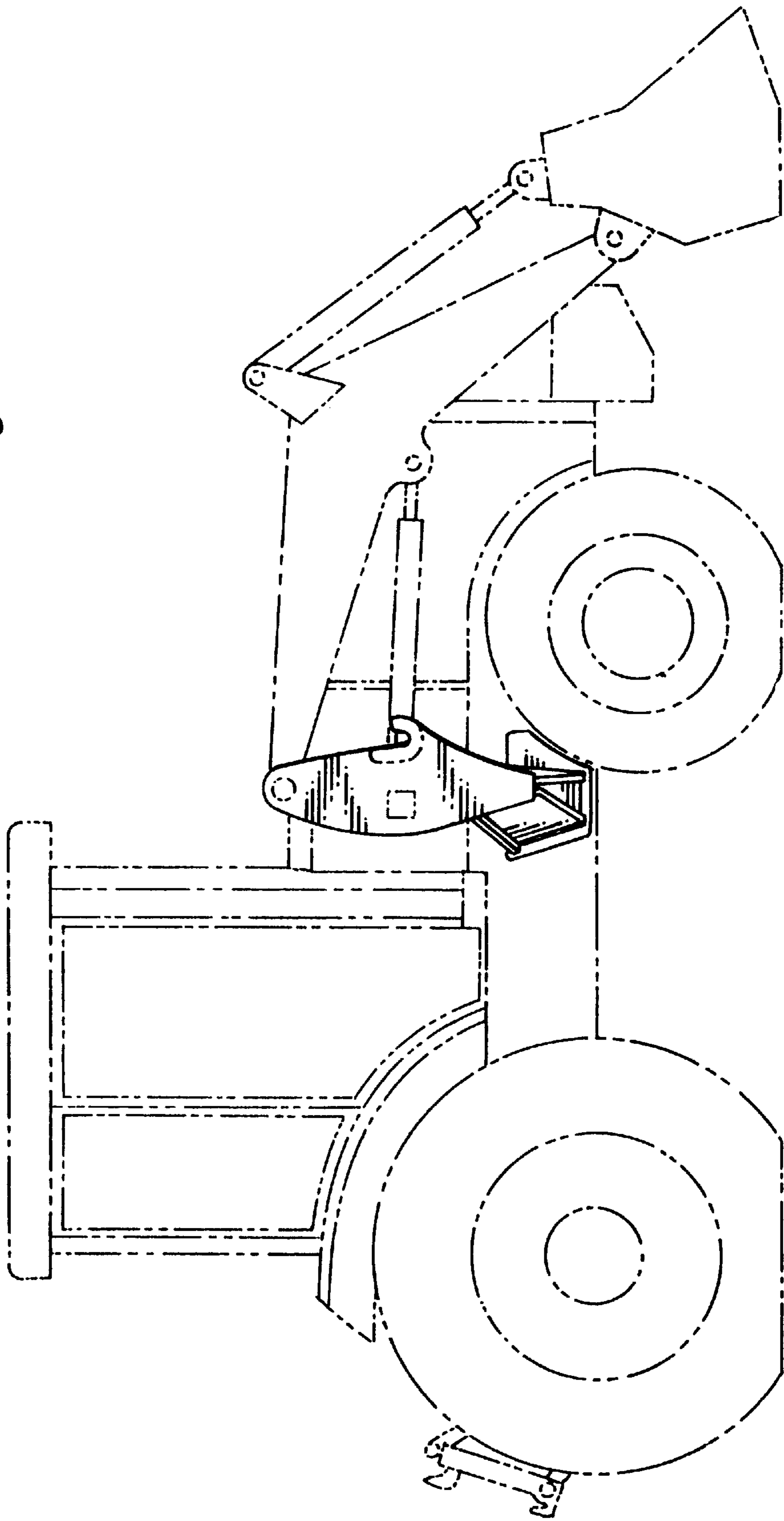


Fig. 1



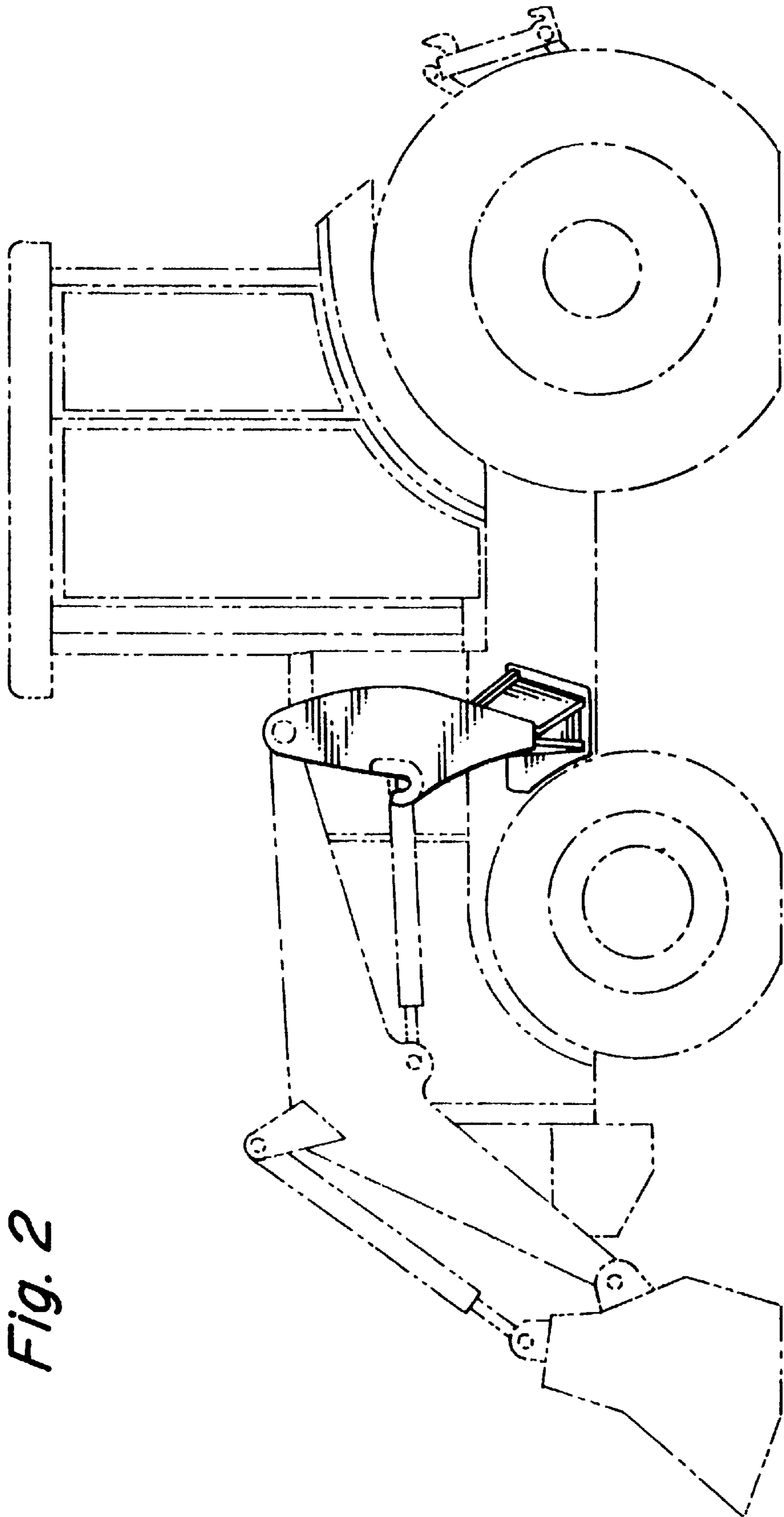


Fig. 2

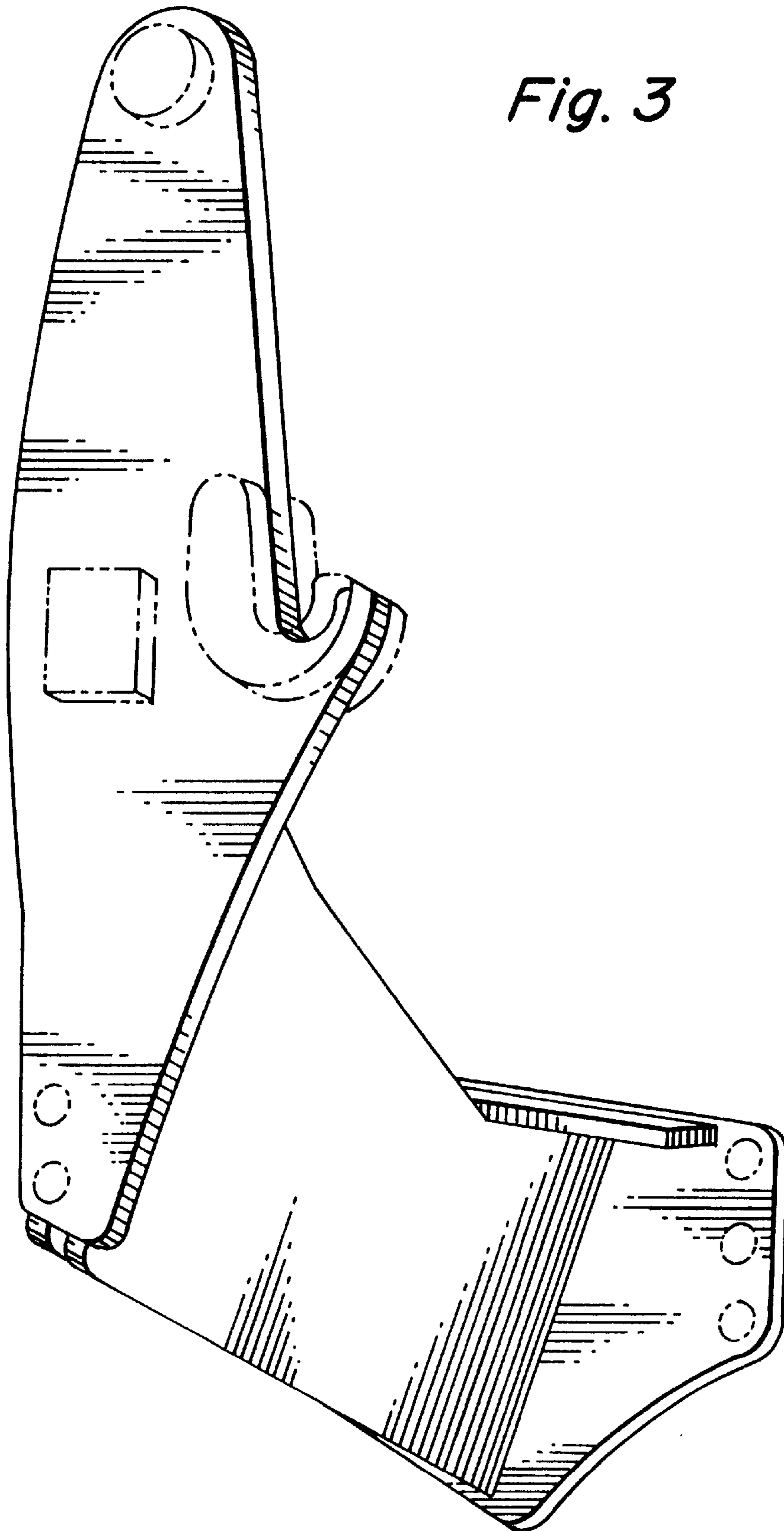


Fig. 3

Fig. 4

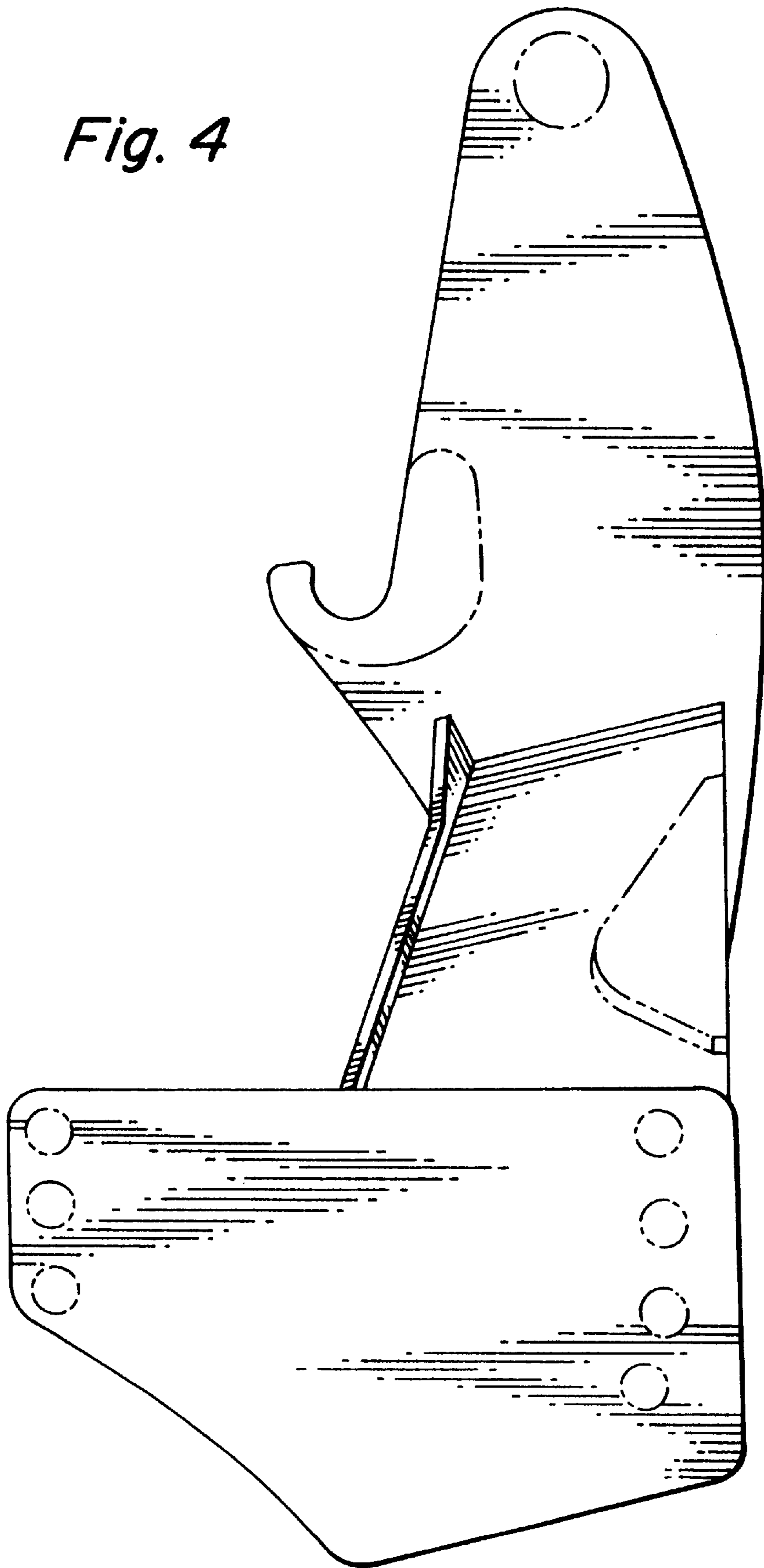


Fig. 5

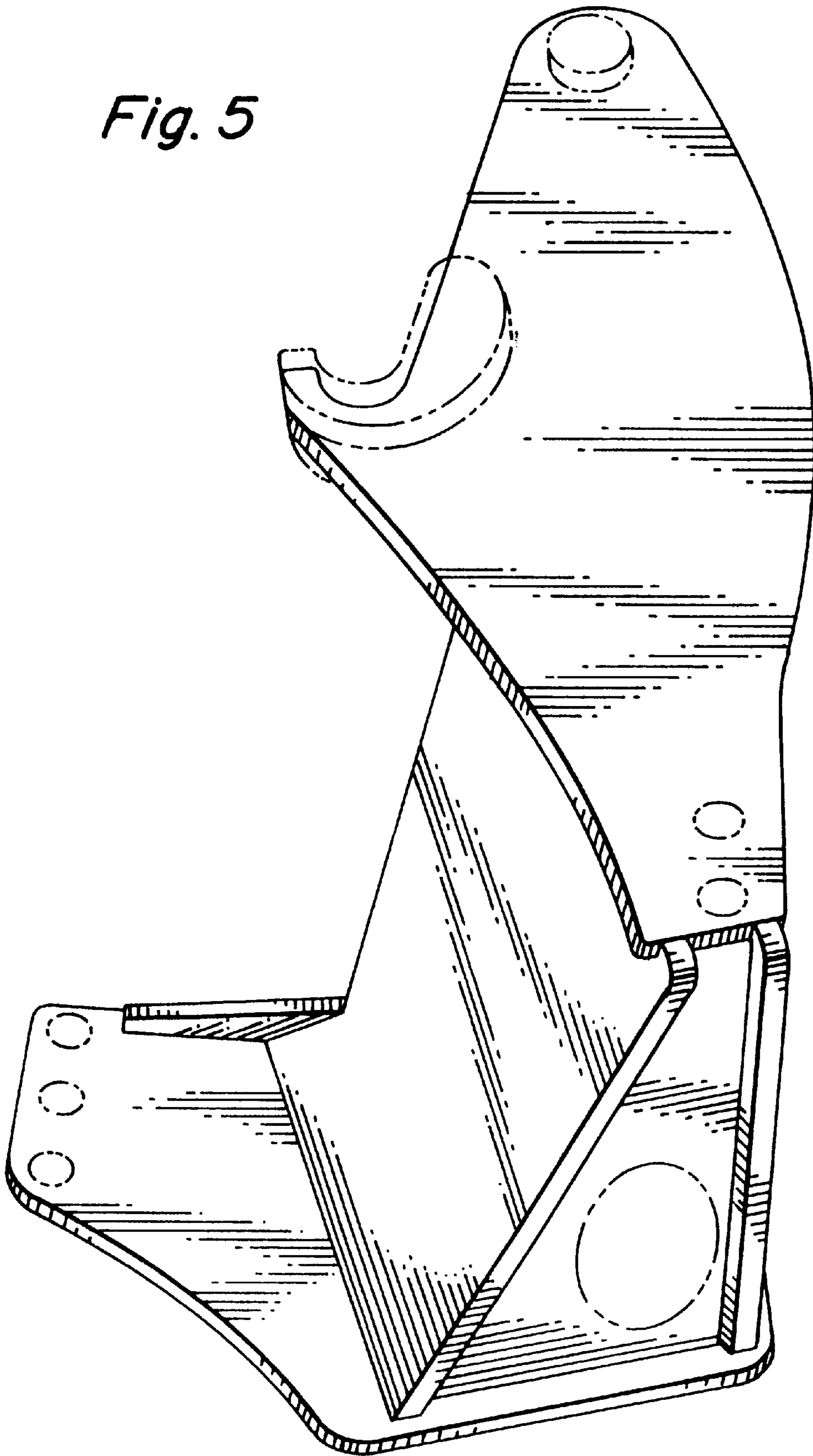


Fig. 6

