



US00D449051B1

(12) **United States Design Patent**  
**Miyashita**

(10) **Patent No.:** **US D449,051 S**

(45) **Date of Patent:** **\*\* Oct. 9, 2001**

(54) **INTERNAL COMBUSTION ENGINE**

D. 421,024 \* 2/2000 Katoh ..... D15/1

(75) **Inventor:** **Yasushi Miyashita, Hamamatsu (JP)**

\* cited by examiner

(73) **Assignee:** **Suzuki Motor Corporation, Shizuoka-ken (JP)**

*Primary Examiner*—Melody N. Brown  
(74) *Attorney, Agent, or Firm*—Darby & Darby

(\*\*) **Term:** **14 Years**

(57) **CLAIM**

(21) **Appl. No.:** **29/121,227**

The ornamental design for an internal combustion engine, as shown and described.

(22) **Filed:** **Mar. 31, 2000**

(30) **Foreign Application Priority Data**

**DESCRIPTION**

Oct. 1, 1999 (JP) ..... 11-26733

FIG. 1 is a front elevational view of the internal combustion engine of the present invention;

(51) **LOC (7) Cl.** ..... **15-01**

FIG. 2 is a rear elevational view thereof;

(52) **U.S. Cl.** ..... **D15/1**

FIG. 3 is right side elevational view thereof;

(58) **Field of Search** ..... D15/1-5, 14, 16, D15/17; 123/198 E, 306, 308, 657, 661, 667

FIG. 4 is a left side elevational view thereof;

FIG. 5 is a top plan view thereof; and,

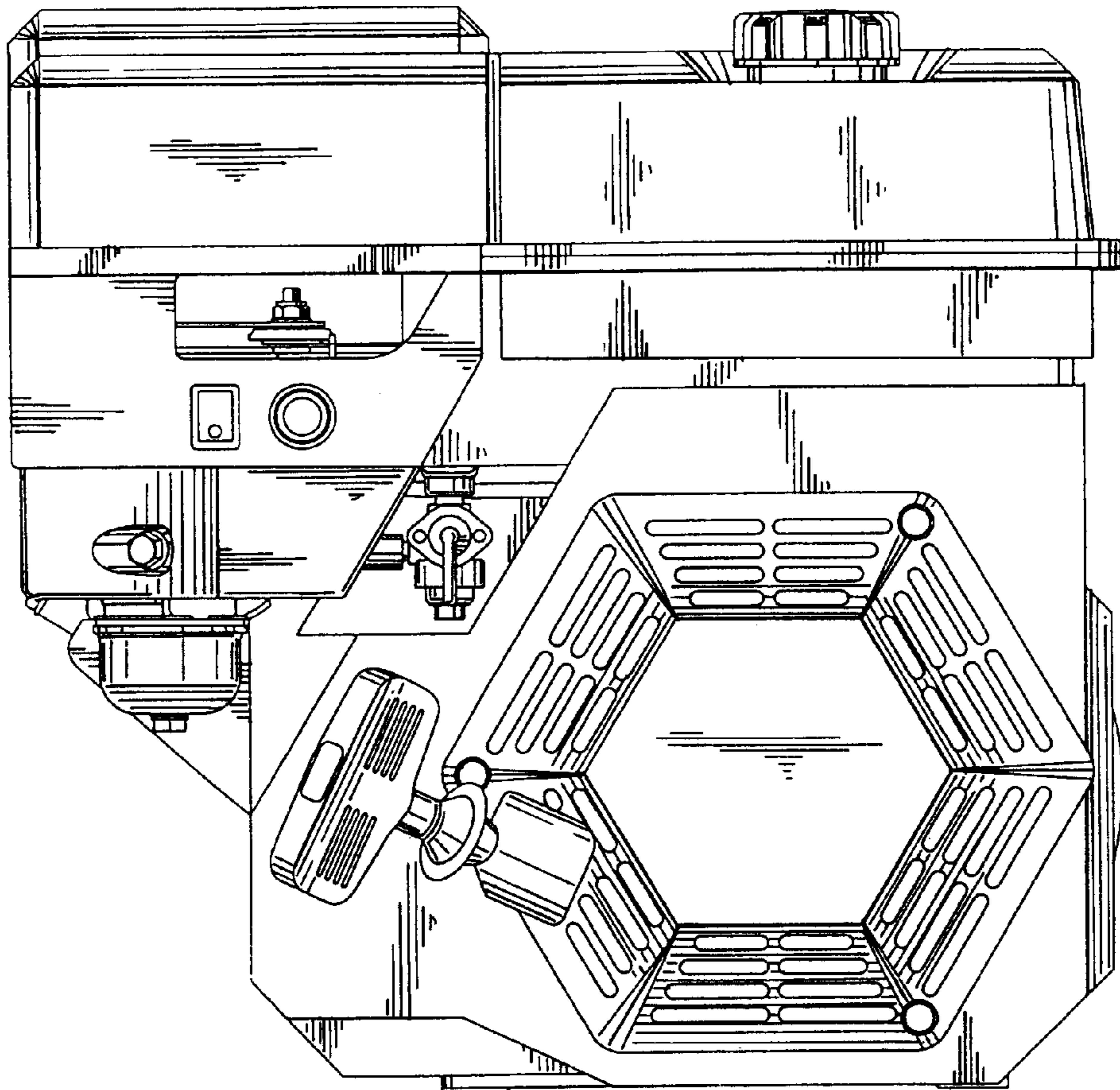
FIG. 6 is a bottom plan view thereof.

(56) **References Cited**

**U.S. PATENT DOCUMENTS**

D. 396,476 \* 7/1998 Shimizu ..... D15/1

**1 Claim, 3 Drawing Sheets**



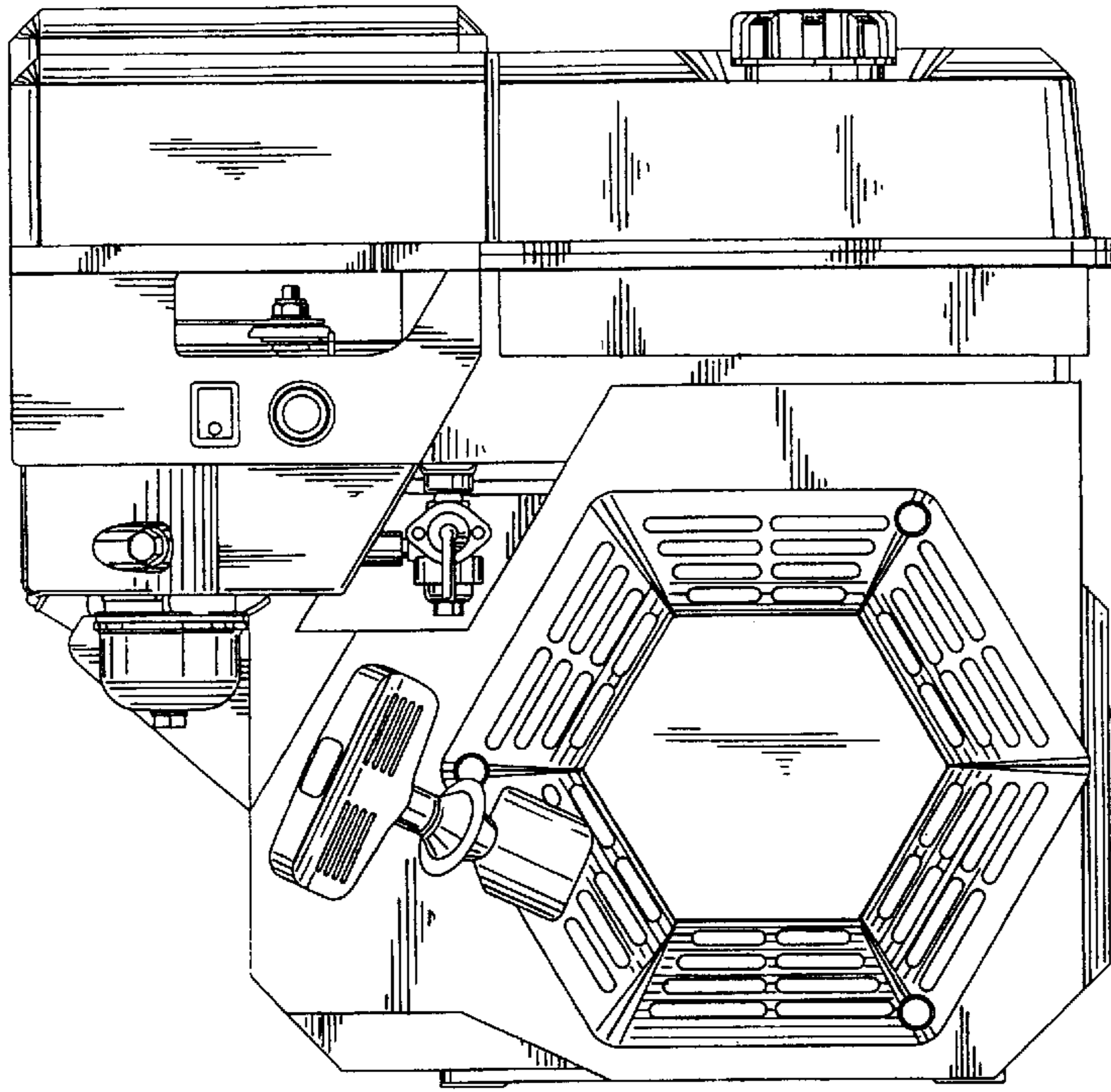


FIG. 1

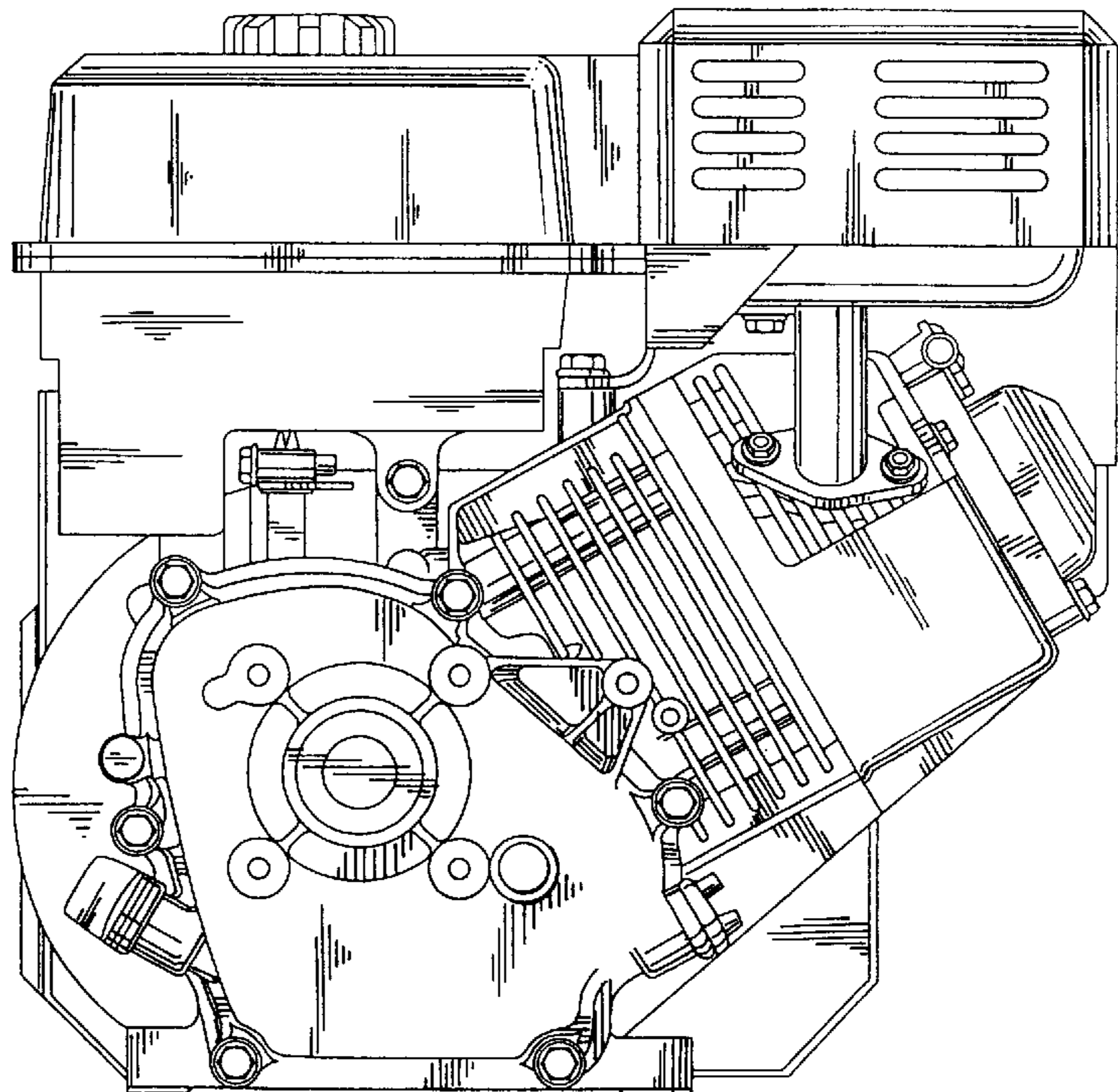


FIG. 2

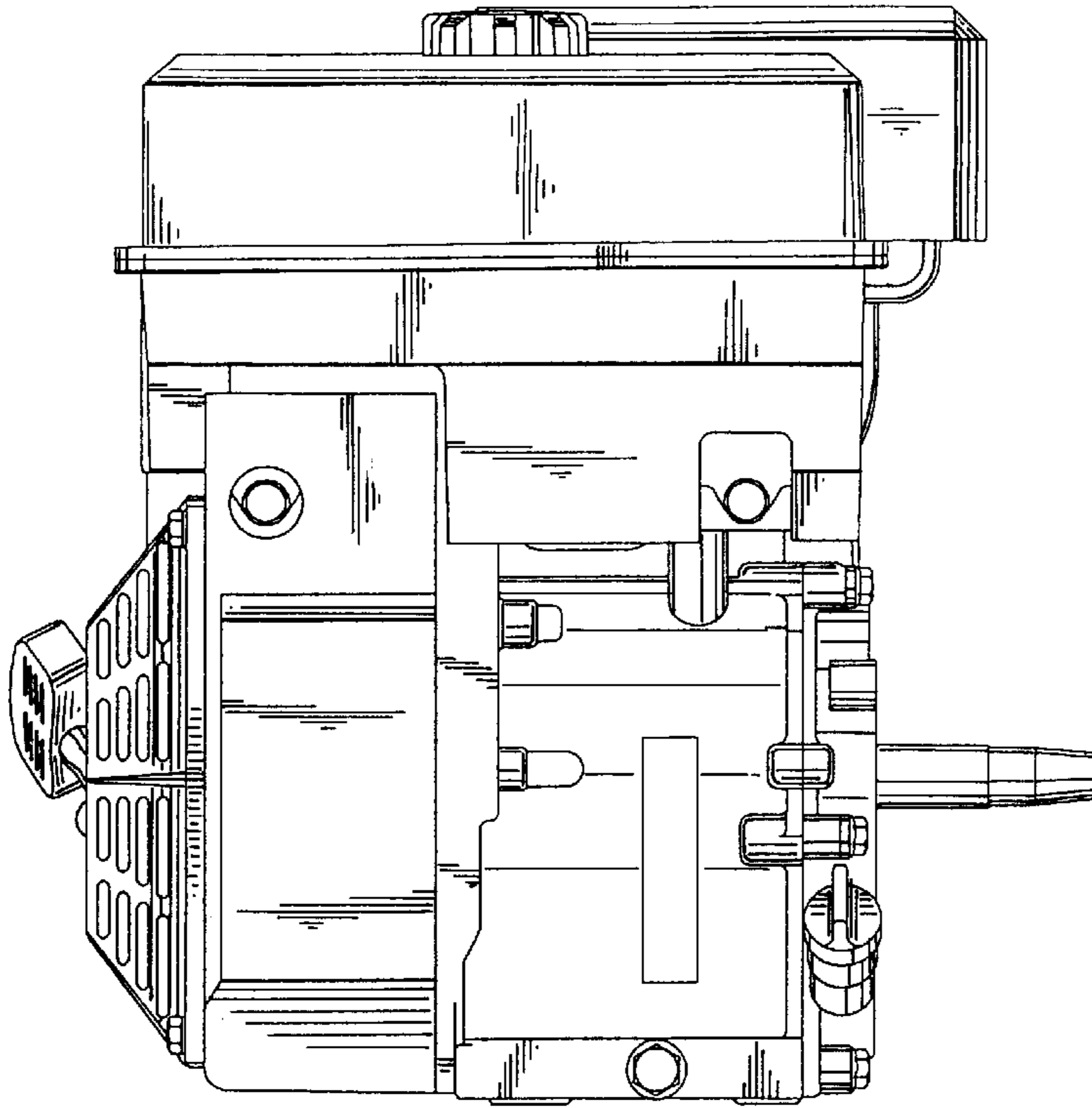


FIG. 3

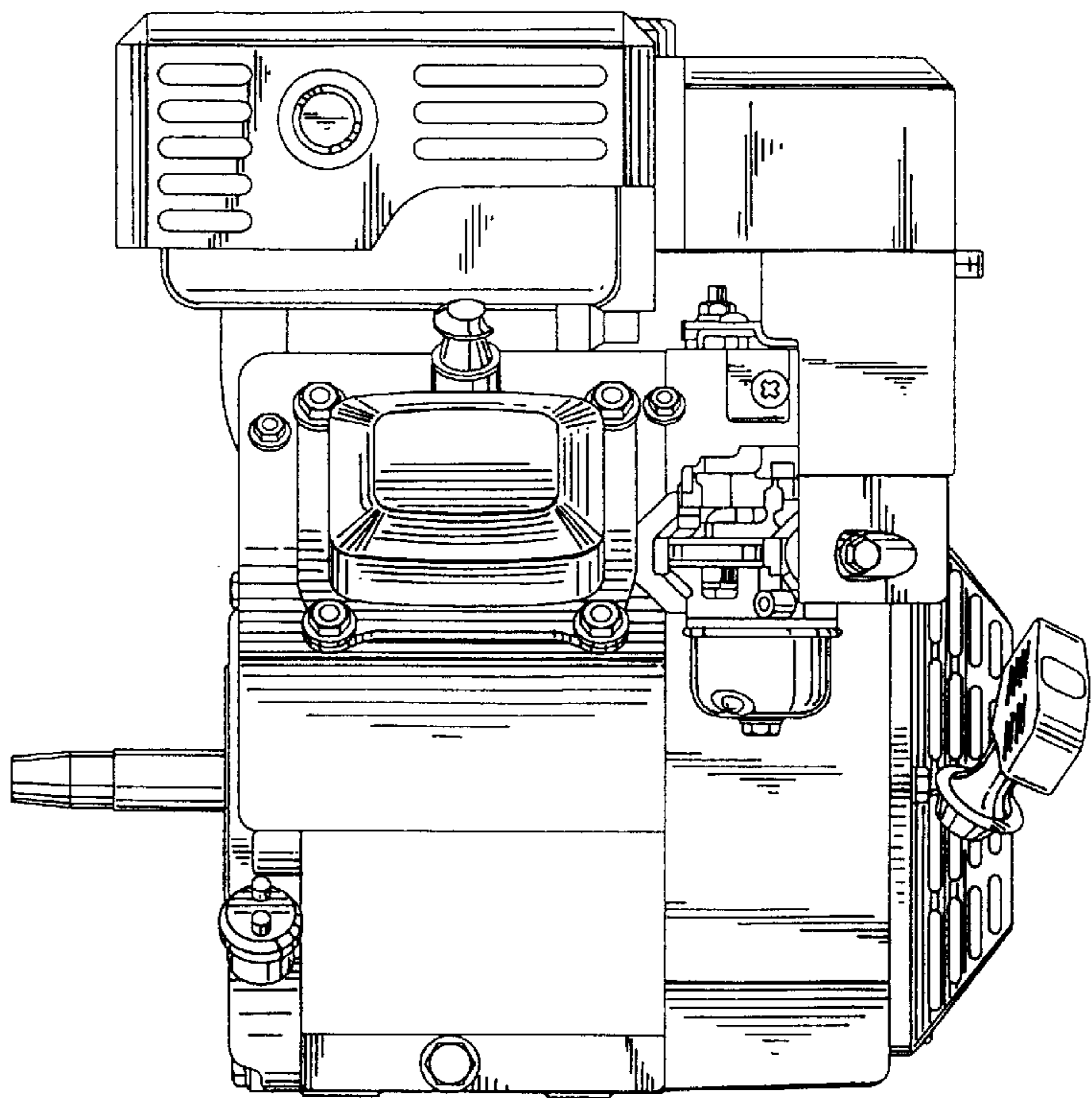


FIG. 4



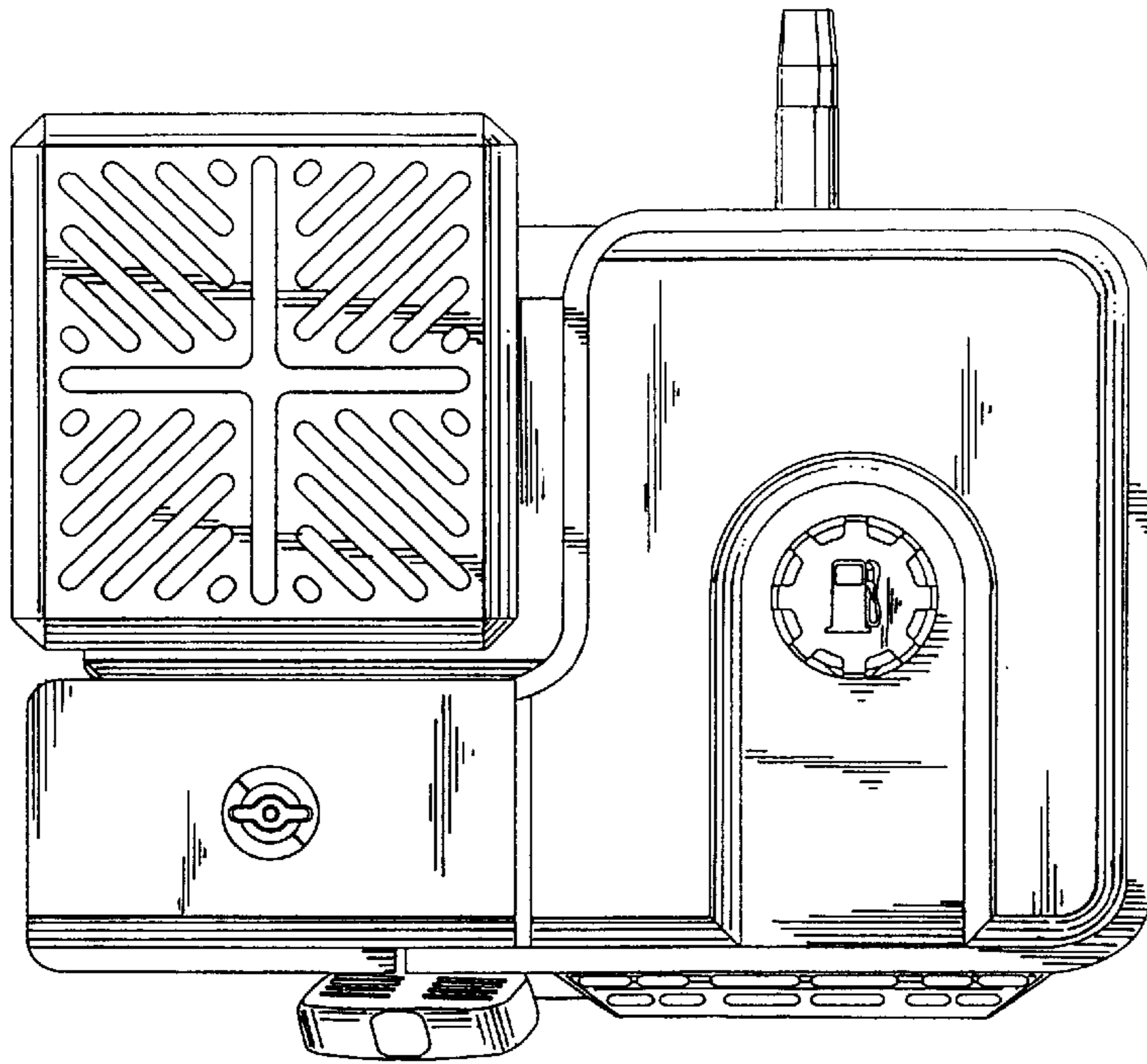
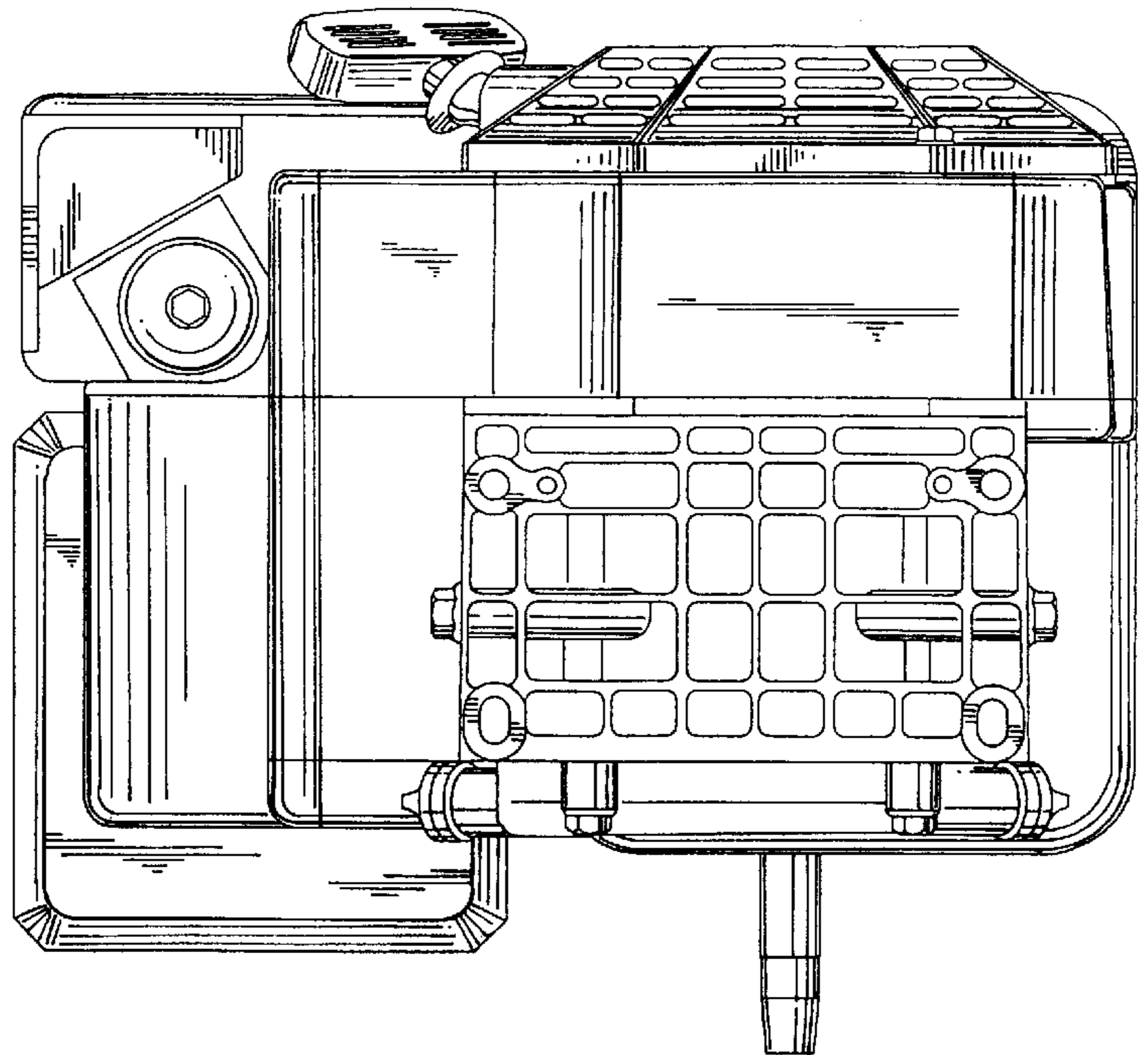


FIG. 5

FIG. 6



UNITED STATES PATENT AND TRADEMARK OFFICE  
**CERTIFICATE OF CORRECTION**

PATENT NO. : Des 449,051 S  
DATED : October 9, 2001  
INVENTOR(S) : Yasushi Miyashita

Page 1 of 1

It is certified that error appears in the above-identified patent and that said Letters Patent is hereby corrected as shown below:

Title page,

Item [75], Inventors: change "**Hamamatsu, (JP)**" to -- **Shizuoka-Ken, (JP)** --.

Signed and Sealed this

Sixteenth Day of July, 2002

*Attest:*

A handwritten signature in black ink, appearing to read "James E. Rogan", written over a horizontal line.

*Attesting Officer*

JAMES E. ROGAN  
*Director of the United States Patent and Trademark Office*