



US00D449049B1

(12) **United States Design Patent**  
**Seeley et al.**

(10) **Patent No.:** **US D449,049 S**

(45) **Date of Patent:** **\*\* Oct. 9, 2001**

(54) **LCD MONITOR BEZEL**

(75) **Inventors:** **S. Scott Seeley**, Corona; **Gerald E. Lester**, Costa Mesa; **Richard C. Mell**, Brea; **Stephen R. Boss**, Claremont, all of CA (US)

(73) **Assignee:** **Rockwell Collins**, Cedar Rapids, IA (US)

(\*\*) **Term:** **14 Years**

(21) **Appl. No.:** **29/130,197**

(22) **Filed:** **Sep. 28, 2000**

(51) **LOC (7) Cl.** ..... **14-02**

(52) **U.S. Cl.** ..... **D14/450**

(58) **Field of Search** ..... D14/450, 371, D14/374-382, 125-129; 345/104, 133, 156, 168, 173, 87; 348/180, 184, 325, 739; 248/917-924; 341/12; 349/1, 2, 11, 62; 428/14

(56) **References Cited**

**U.S. PATENT DOCUMENTS**

D. 291,086 \* 7/1987 Price ..... D14/450

D. 336,901 \* 6/1993 Jaeb et al. .... D14/450  
D. 360,626 \* 7/1995 MacMurtrie ..... D14/450  
D. 413,320 \* 8/1999 Kelley et al. .... D14/450  
5,759,644 \* 6/1998 Stanley ..... 428/14

\* cited by examiner

*Primary Examiner*—Freda Nunn

(74) *Attorney, Agent, or Firm*—Nathan O. Jensen; Kyle Eppele

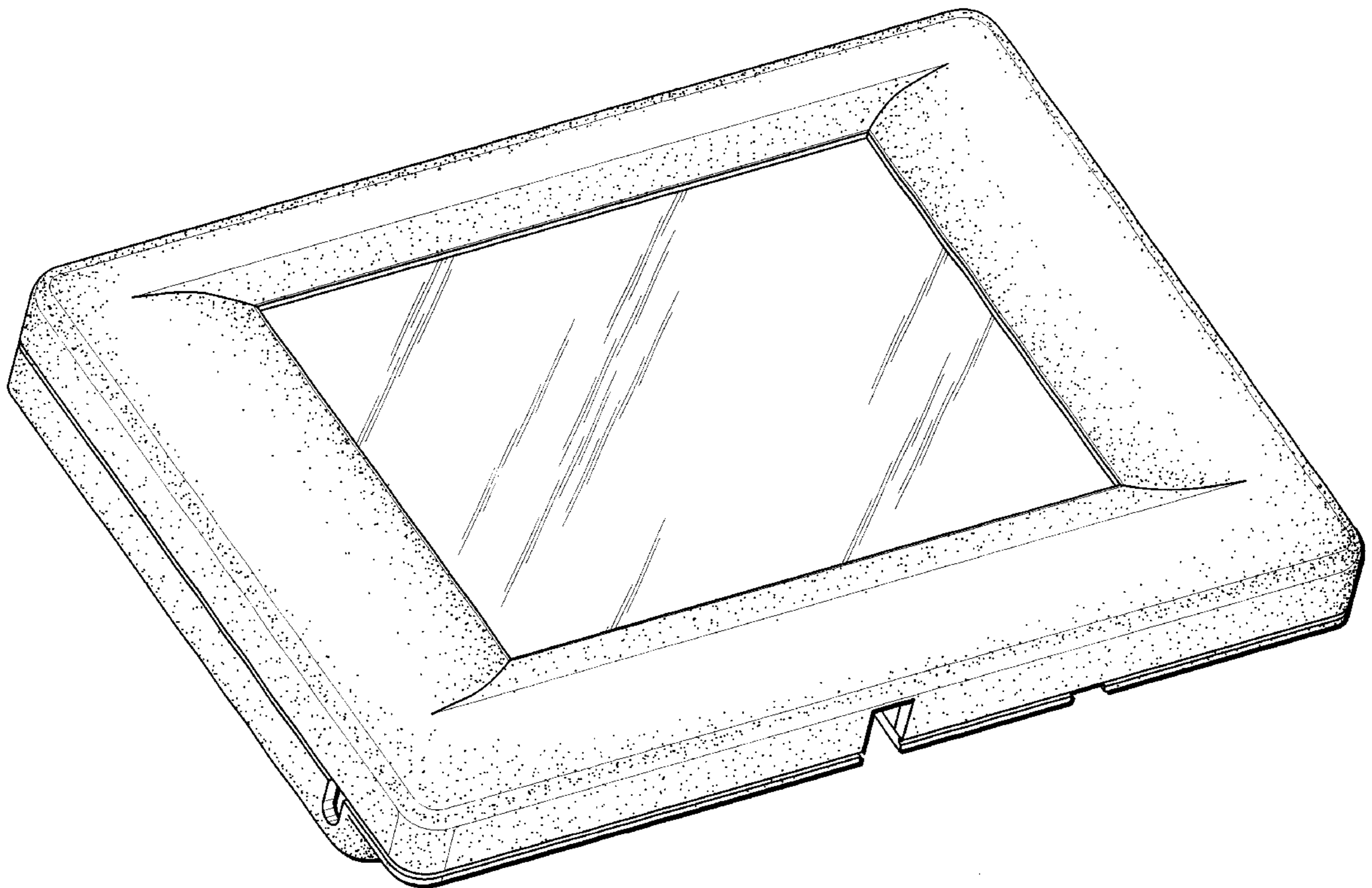
(57) **CLAIM**

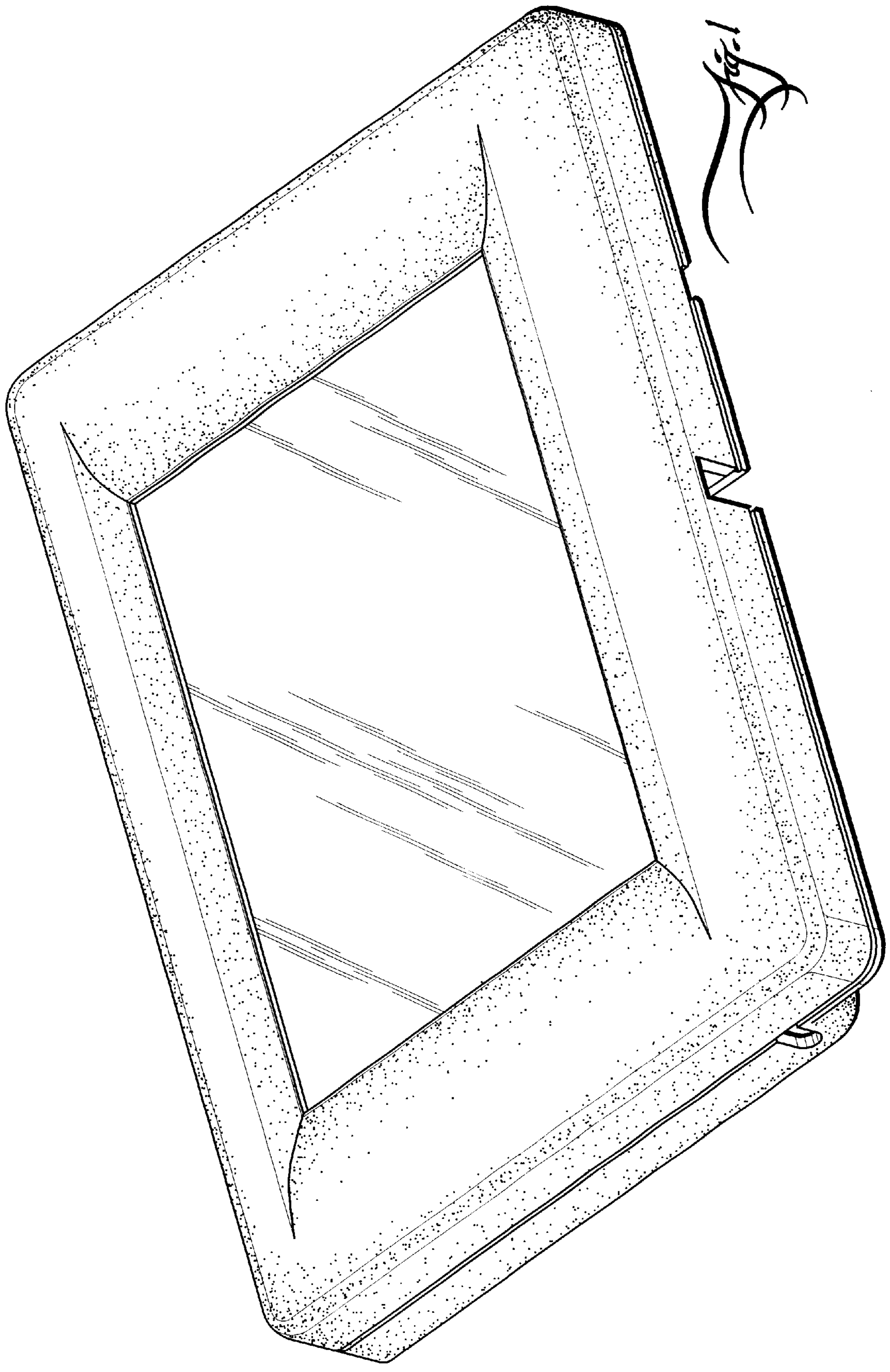
We claim the ornamental design for a LCD monitor bezel, substantially as shown and described.

**DESCRIPTION**

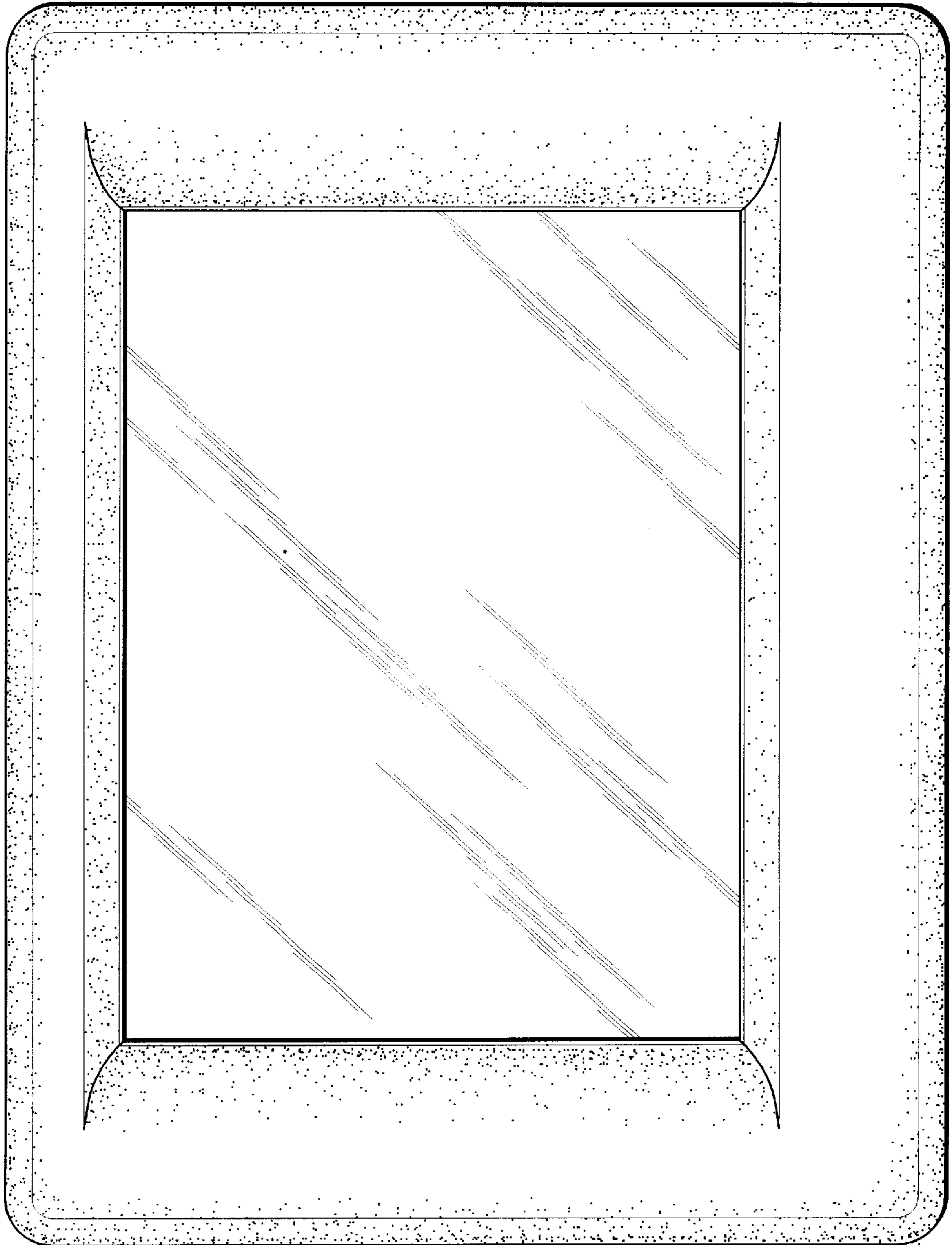
FIG. 1 is a perspective view of an LCD monitor bezel.  
FIG. 2 is a plan view thereof.  
FIG. 3 is a front elevation view thereof.  
FIG. 4 is a back elevation view thereof.  
FIG. 5 is a right side elevation view thereof, the left side view being a mirror image thereof; and,  
FIG. 6 is a bottom view thereof.

**1 Claim, 4 Drawing Sheets**

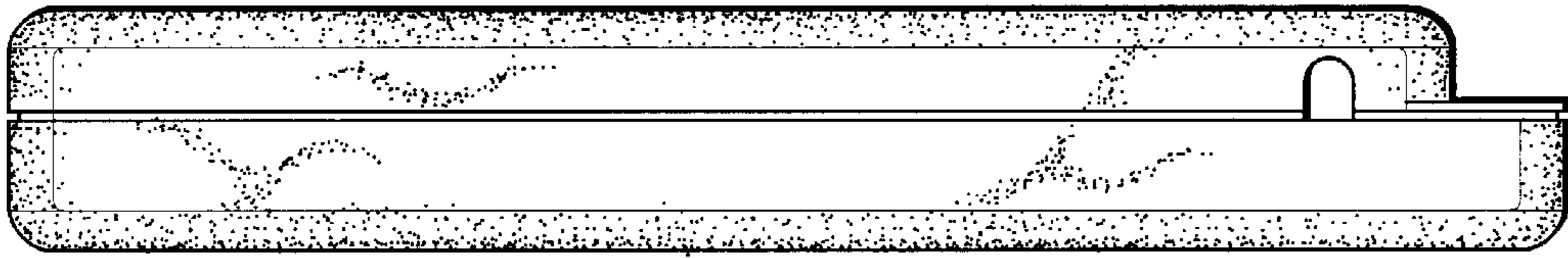




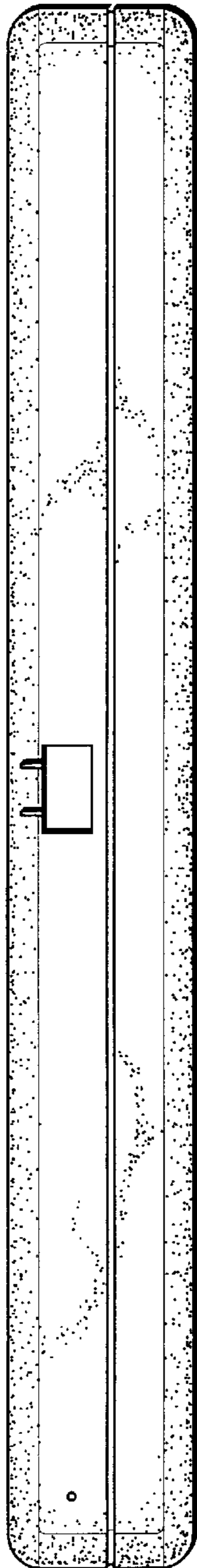
*Fig. 2*



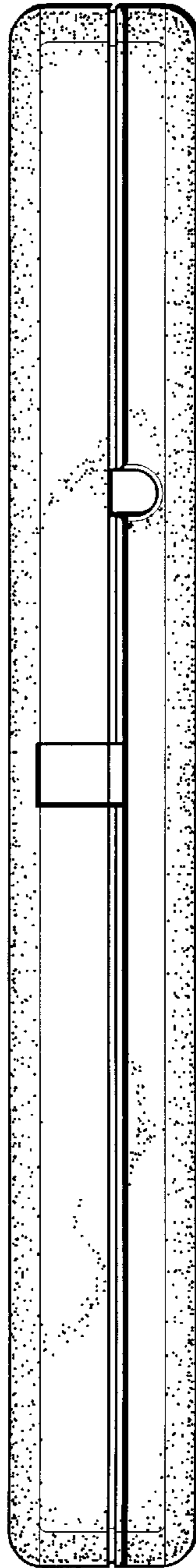




*Fig. 5*



*Fig. 3*



*Fig. 4*

*Fig. 6*

