



US00D449045B1

(12) **United States Design Patent**
Daly et al.

(10) **Patent No.:** **US D449,045 S**

(45) **Date of Patent:** **** Oct. 9, 2001**

(54) **COMPUTER HOUSING**

D. 396,216 * 7/1998 Chen et al. D14/352
D. 398,906 * 9/1998 Fynn et al. D14/349

(75) Inventors: **John Daly**, Irvine; **Robert Brunner**,
Los Gatos; **Barbara Saucedo**, Palo
Alto, all of CA (US)

* cited by examiner

(73) Assignee: **Toshiba America Information
Systems, Inc.**, Irvine, CA (US)

Primary Examiner—Freda Nunn
(74) *Attorney, Agent, or Firm*—Gray Cary Ware &
Freidenrich LLP

(**) Term: **14 Years**

(57) **CLAIM**

(21) Appl. No.: **29/094,981**

The ornamental design for a computer housing, as shown
and described.

(22) Filed: **Oct. 14, 1998**

DESCRIPTION

(51) **LOC (7) Cl.** **14-02**

(52) **U.S. Cl.** **D14/349**

(58) **Field of Search** D14/349, 348,
D14/352; D13/162, 184, 199; D6/432, 436,
445, 448; 312/99.01, 99.12; 369/34, 36;
361/694, 696

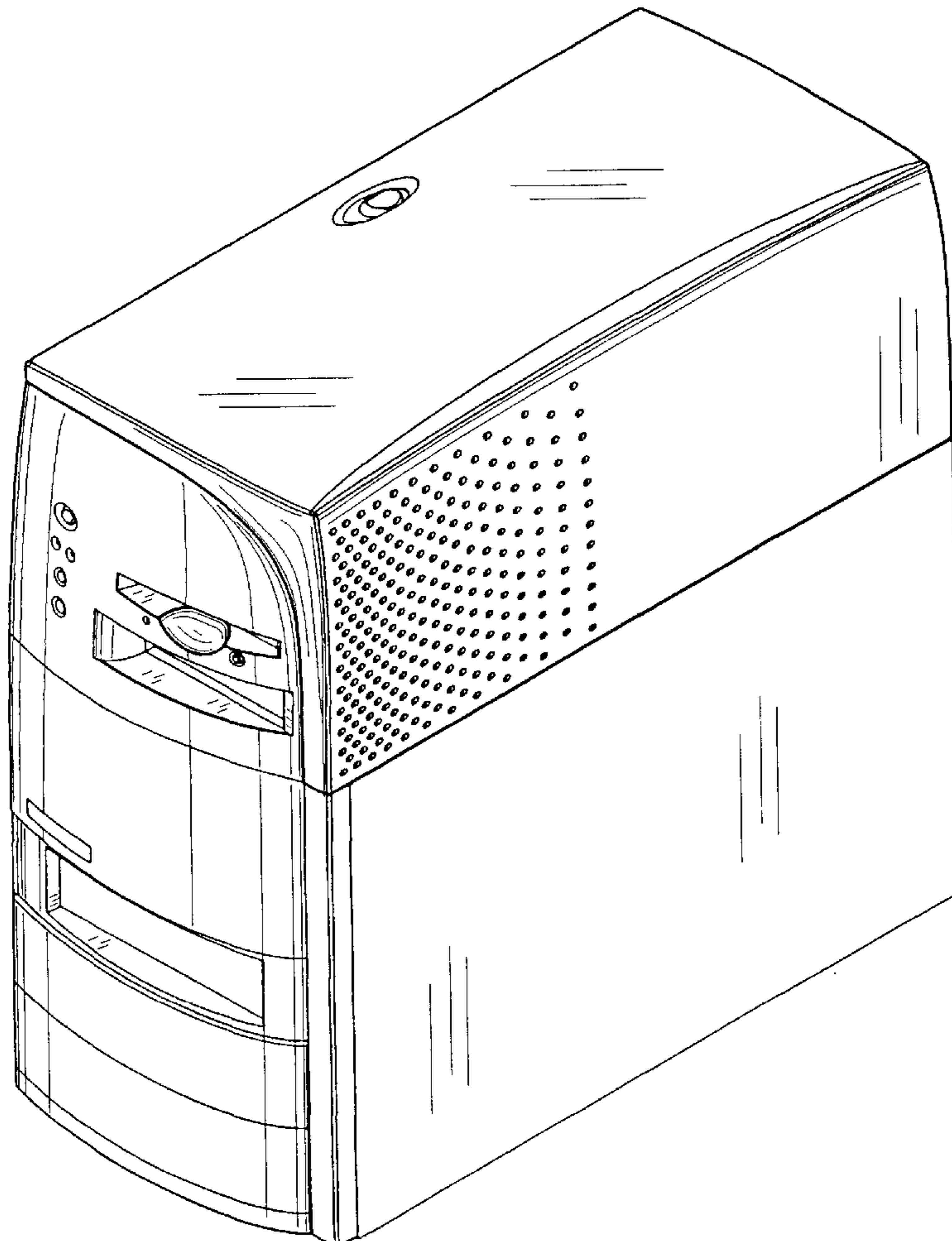
FIG. 1 is a front, top, left perspective view of a computer
housing showing the new design;
FIG. 2 is a front, top, right perspective view thereof;
FIG. 3 is a front view thereof;
FIG. 4 is a top view thereof;
FIG. 5 is a left side view thereof;
FIG. 6 is a right side view thereof; and,
FIG. 7 is a rear view thereof.

(56) **References Cited**

U.S. PATENT DOCUMENTS

D. 370,467 * 6/1996 Barthelemy et al. D14/349

1 Claim, 6 Drawing Sheets



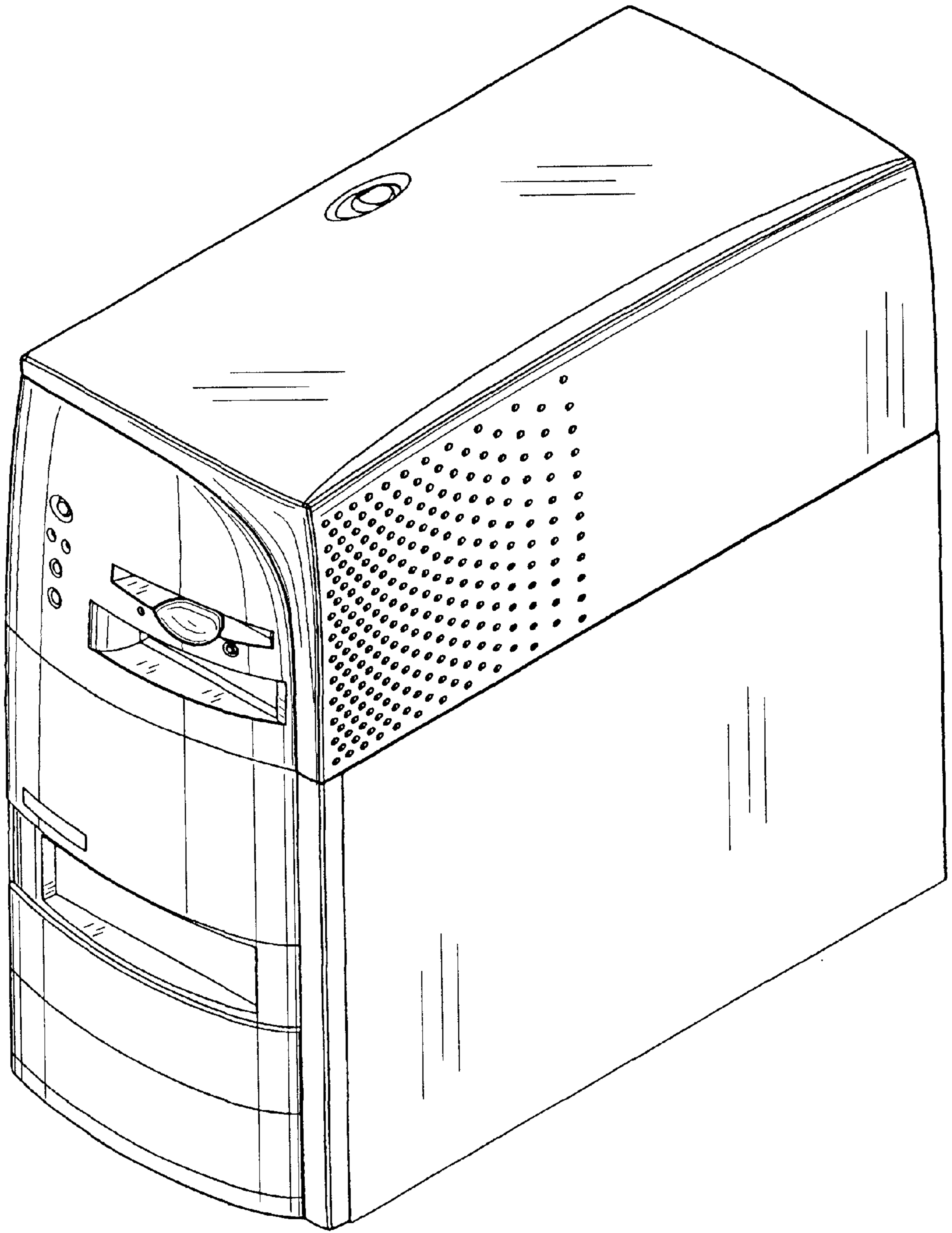


FIG. 1

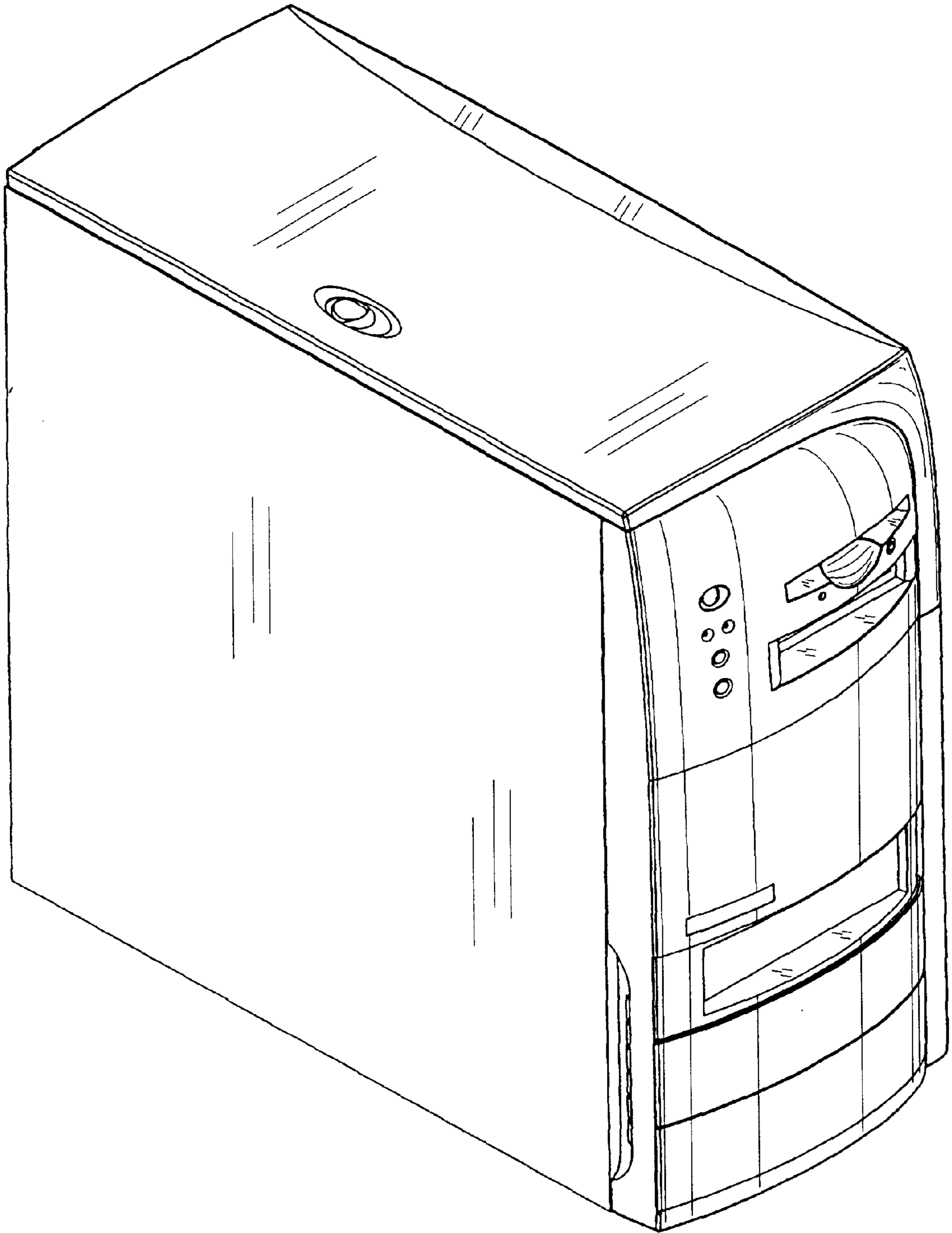


FIG. 2

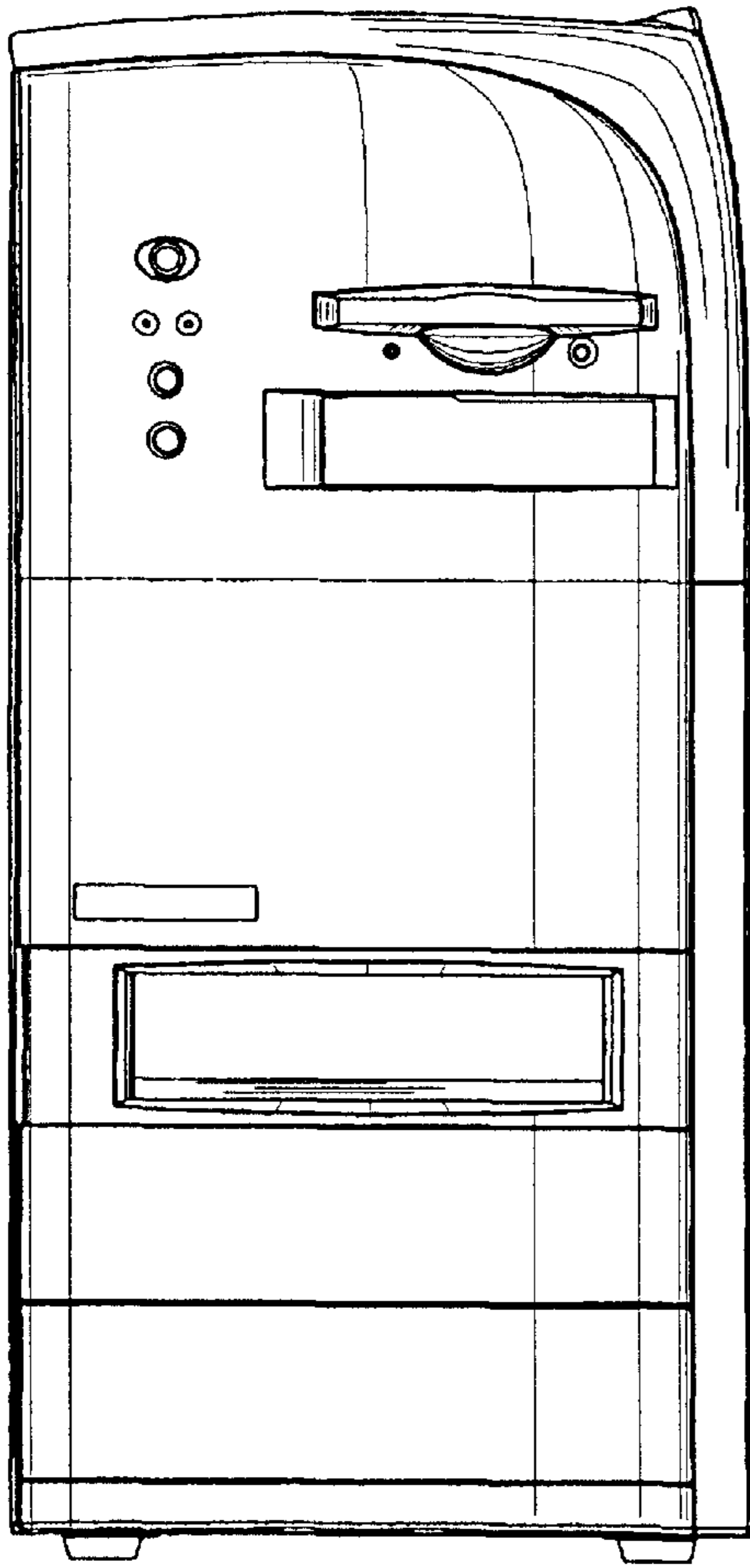


FIG. 3

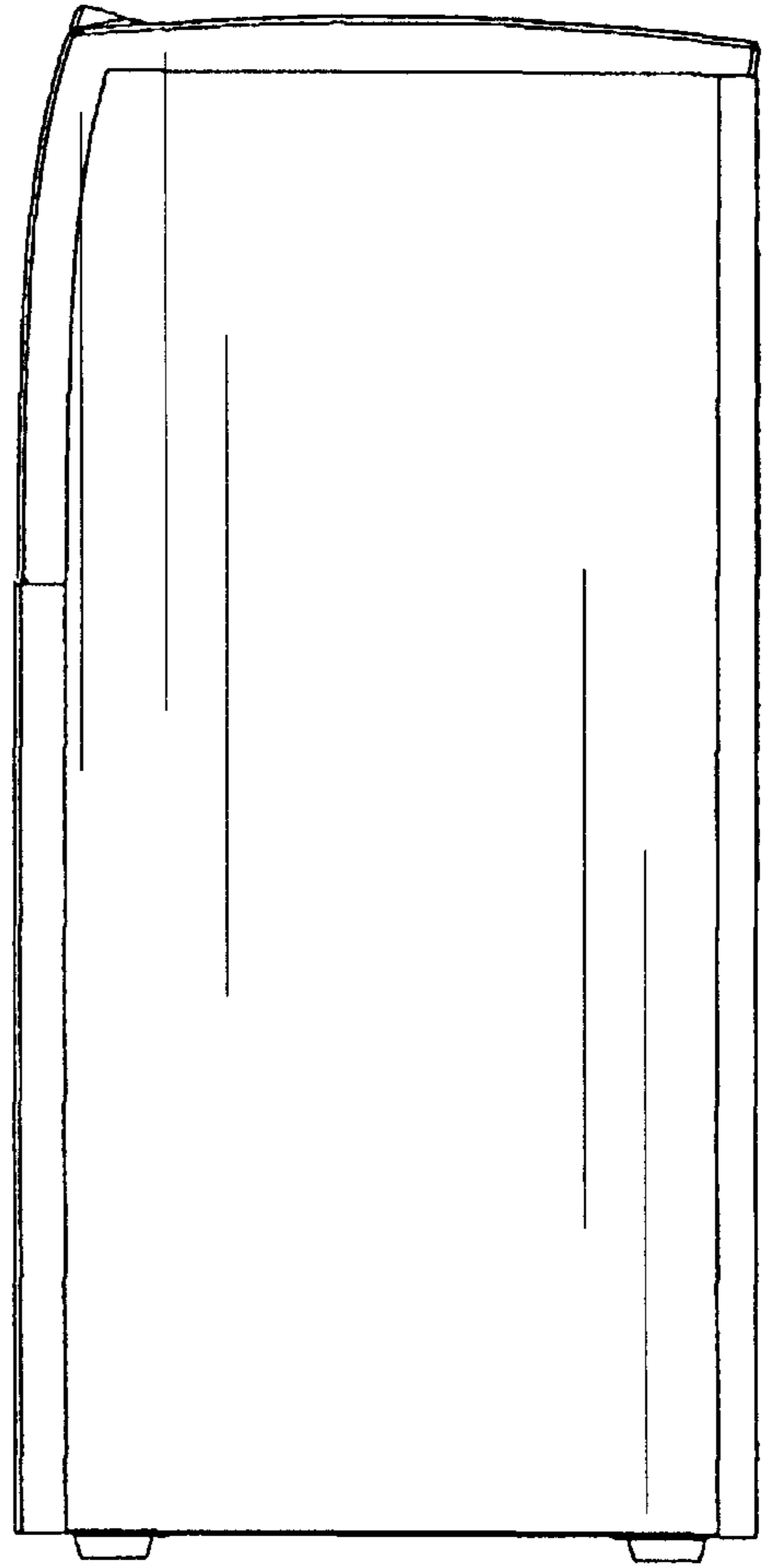


FIG. 7

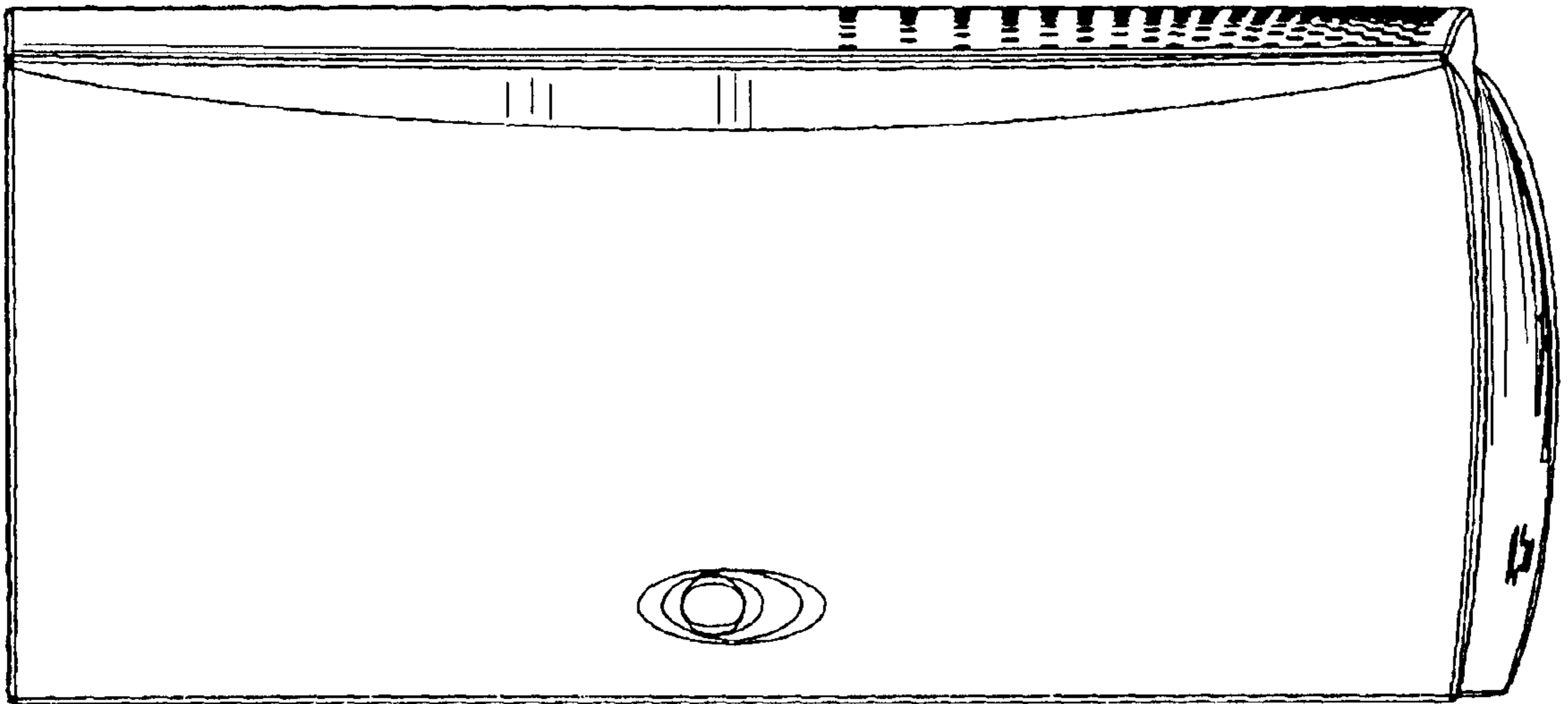


FIG. 4

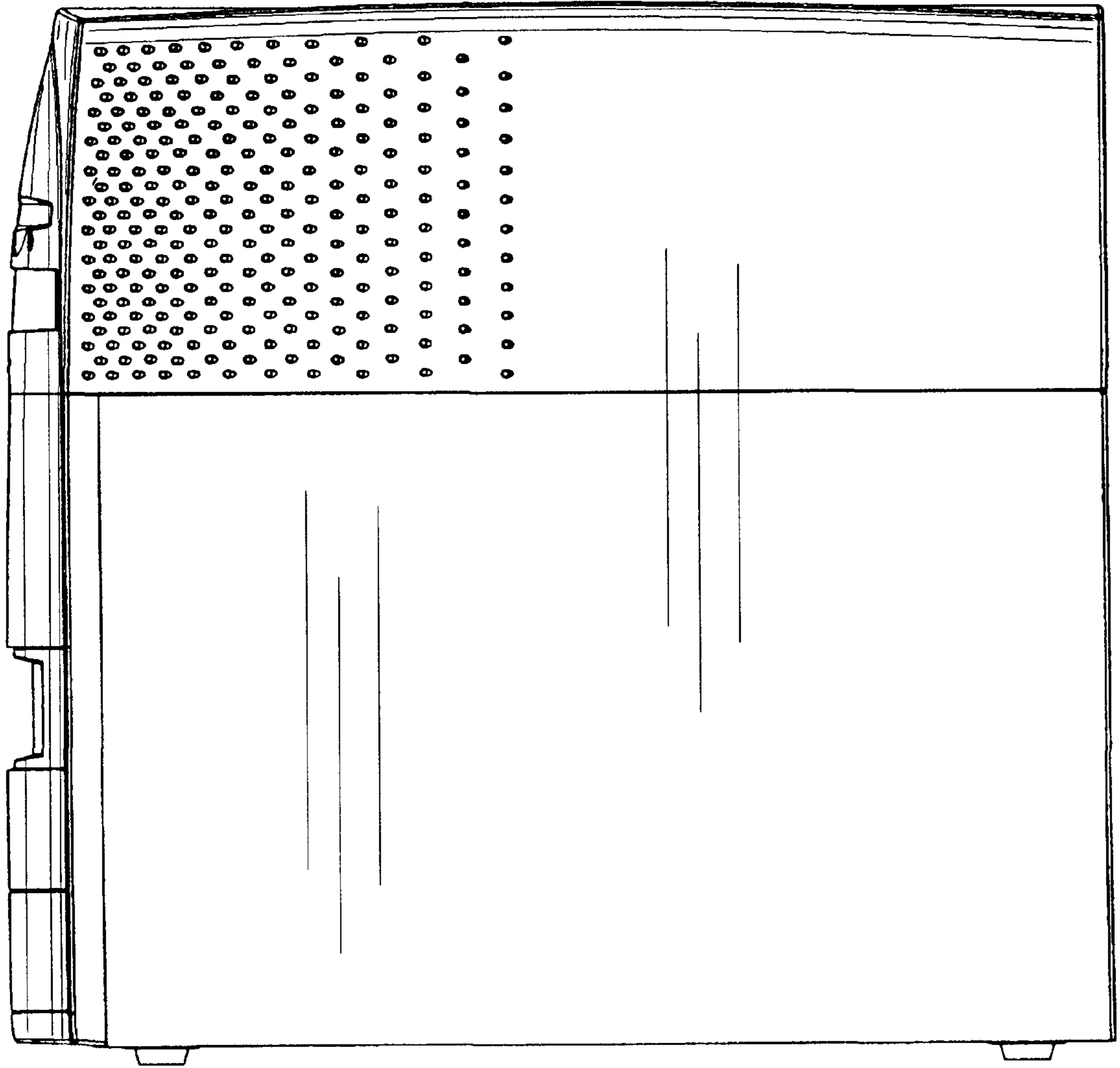


FIG. 5

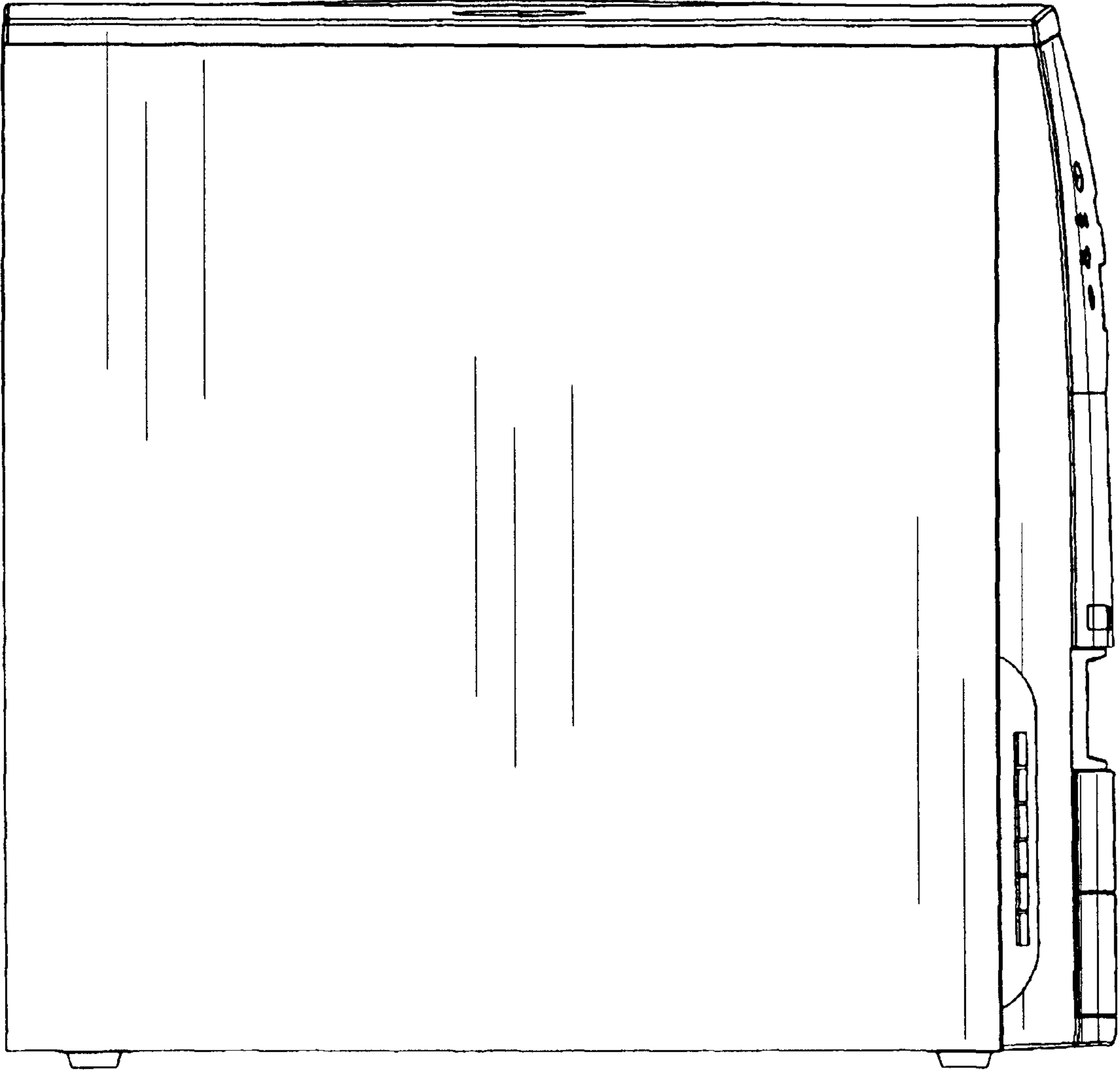


FIG. 6