



US00D449044B1

(12) **United States Design Patent**  
**Prichard**

(10) **Patent No.:** **US D449,044 S**

(45) **Date of Patent:** **\*\* Oct. 9, 2001**

(54) **TABLET COMPUTER**

(75) Inventor: **Jon-Erik Prichard**, Huntington Beach, CA (US)

(73) Assignee: **Aqcess Technologies**, Huntington Beach, CA (US)

(\*\*) Term: **14 Years**

(21) Appl. No.: **29/113,867**

(22) Filed: **Nov. 12, 1999**

(51) **LOC (7) Cl.** ..... **14-02**

(52) **U.S. Cl.** ..... **D14/341**

(58) **Field of Search** ..... D14/338, 317, D14/341, 342, 374; D19/59, 60; 345/104, 156, 173, 168; 434/307-309; 178/18.03; 349/12

(56) **References Cited**

**U.S. PATENT DOCUMENTS**

- D. 356,548 \* 3/1995 Bottcher et al. .... D14/341
- D. 363,468 \* 10/1995 Mieki et al. .... D14/342

- D. 382,259 \* 8/1997 Nagai et al. .... D14/374
- D. 403,309 \* 12/1998 Takemasa et al. .... D14/374

\* cited by examiner

*Primary Examiner*—Freda Nunn

(74) *Attorney, Agent, or Firm*—Knobbe Martens Olson & Bear LLP

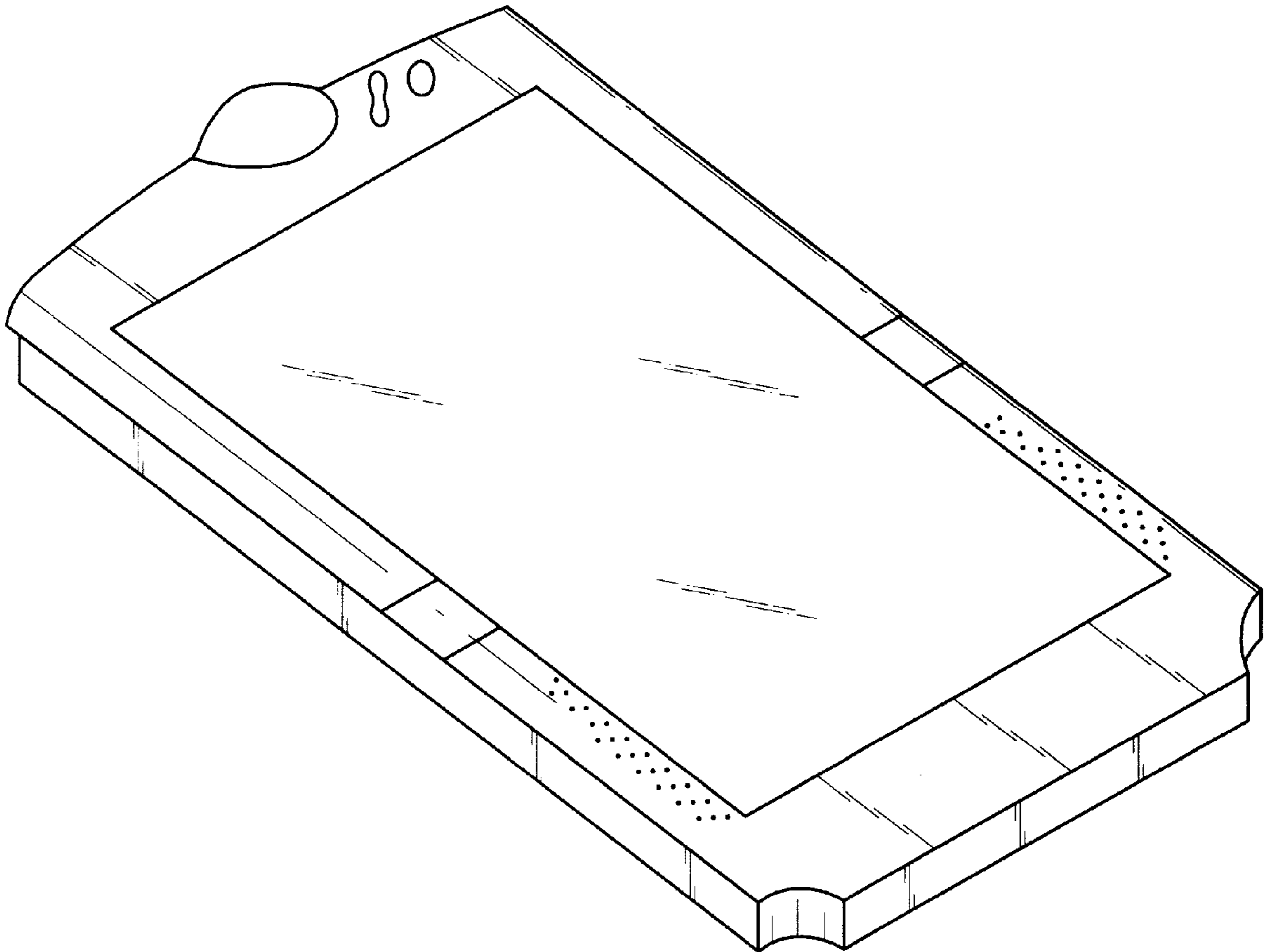
(57) **CLAIM**

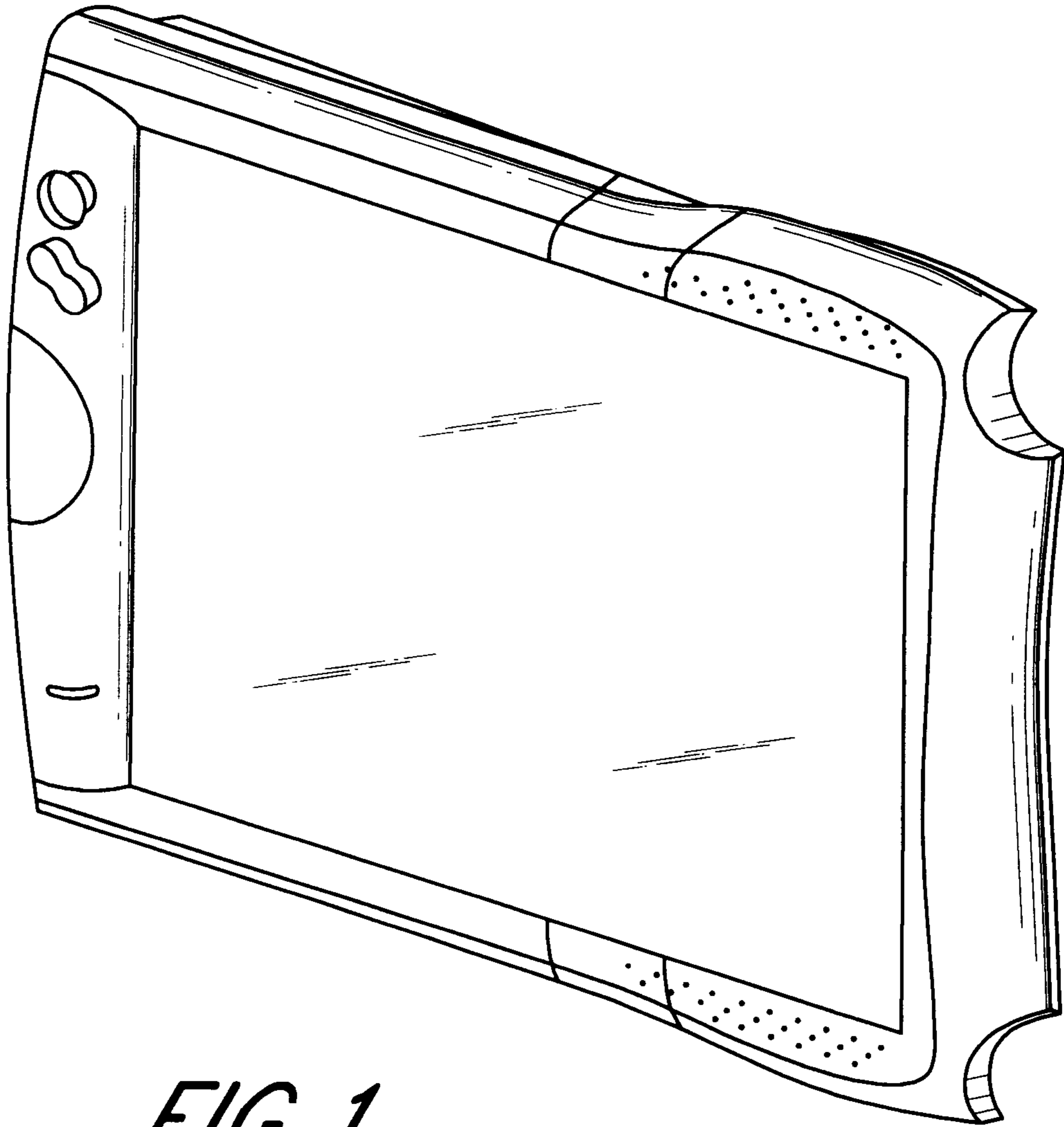
The ornamental design for a tablet computer, as shown and described.

**DESCRIPTION**

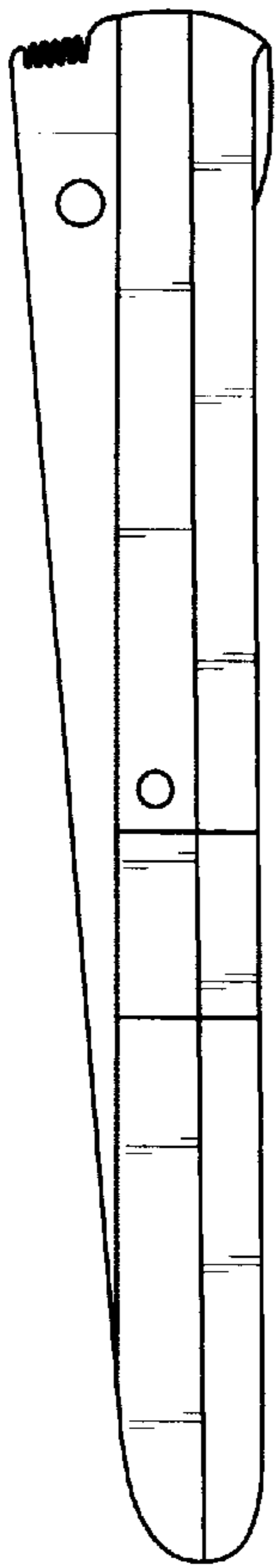
FIG. 1 is a perspective view of a tablet computer showing my new design;  
 FIG. 2 is a top plan view thereof;  
 FIG. 3 is a front elevational view thereof;  
 FIG. 4 is a left side elevational view thereof;  
 FIG. 5 is a right side elevational view thereof;  
 FIG. 6 is a rear elevational view thereof;  
 FIG. 7 is a bottom view thereof; and,  
 FIG. 8 is a perspective view of the tablet computer of FIG. 1, showing my new design with the built-in camera exposed.

**1 Claim, 5 Drawing Sheets**

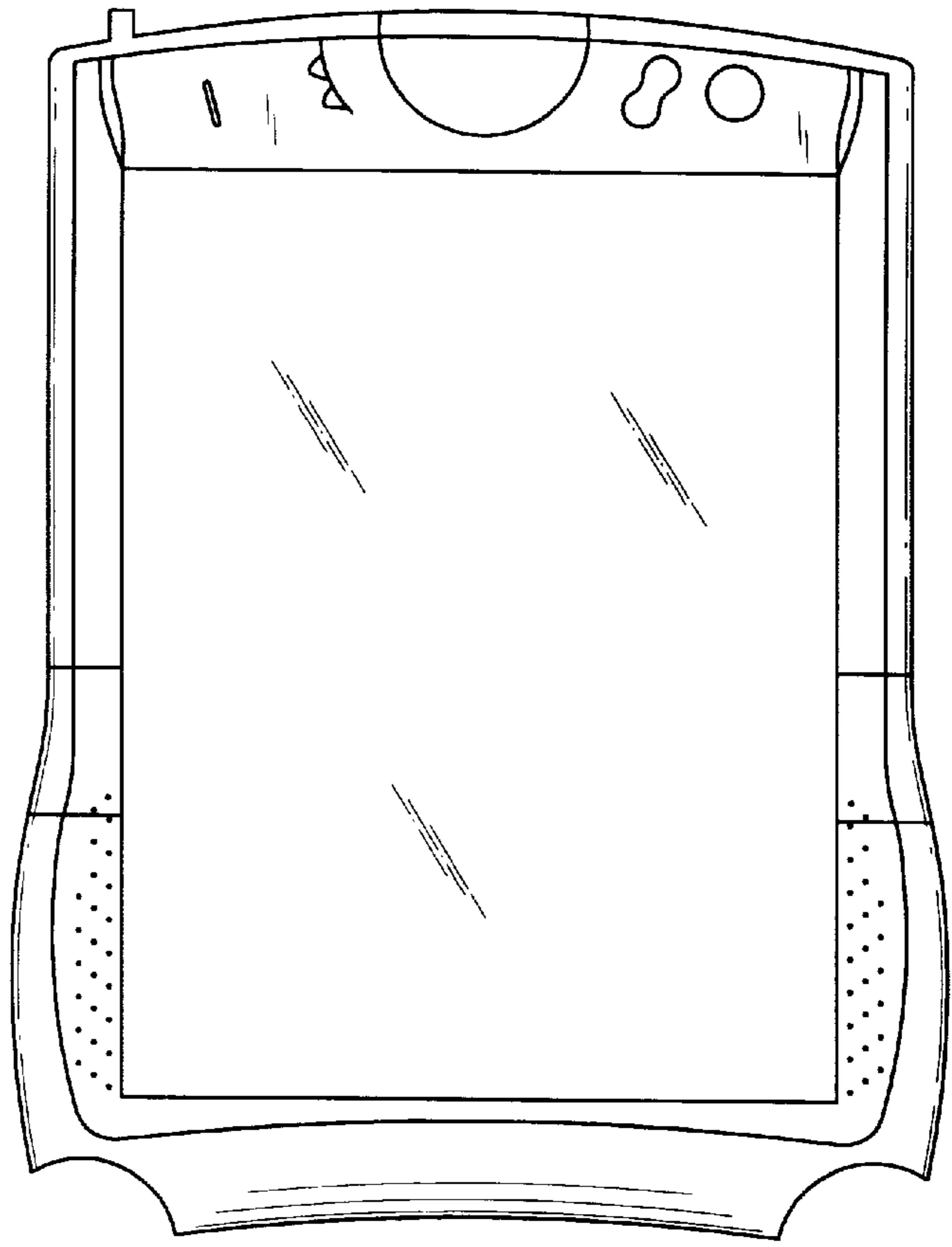




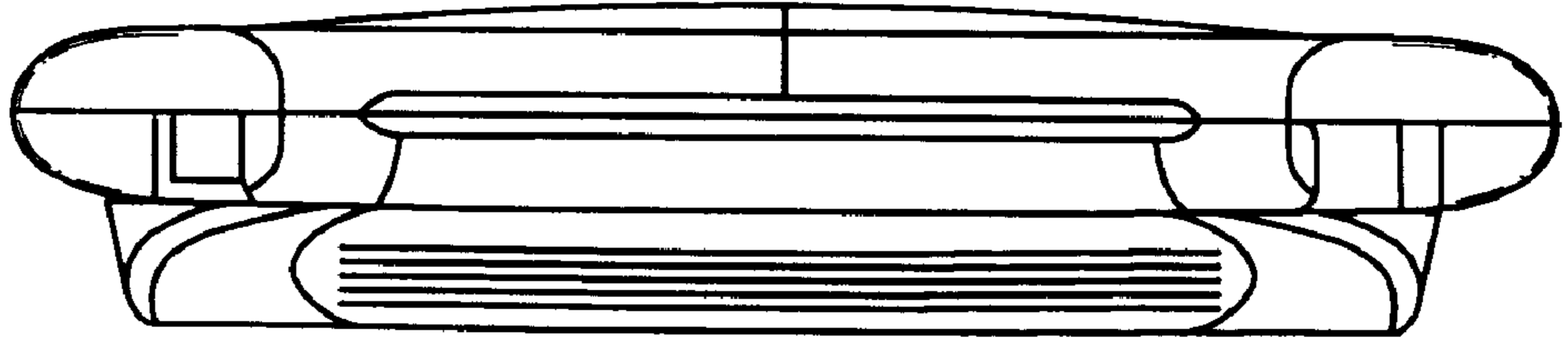
*FIG. 1*



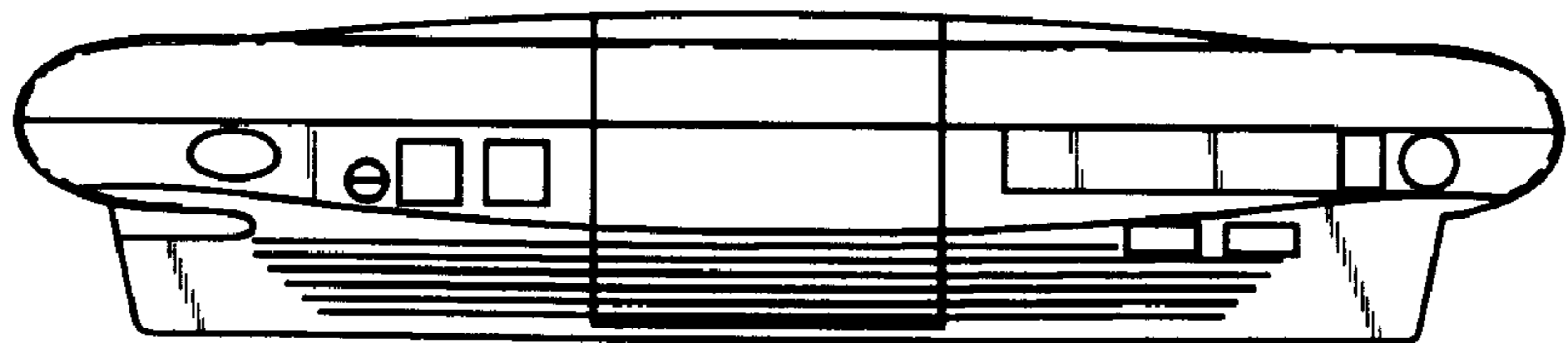
*FIG. 4*



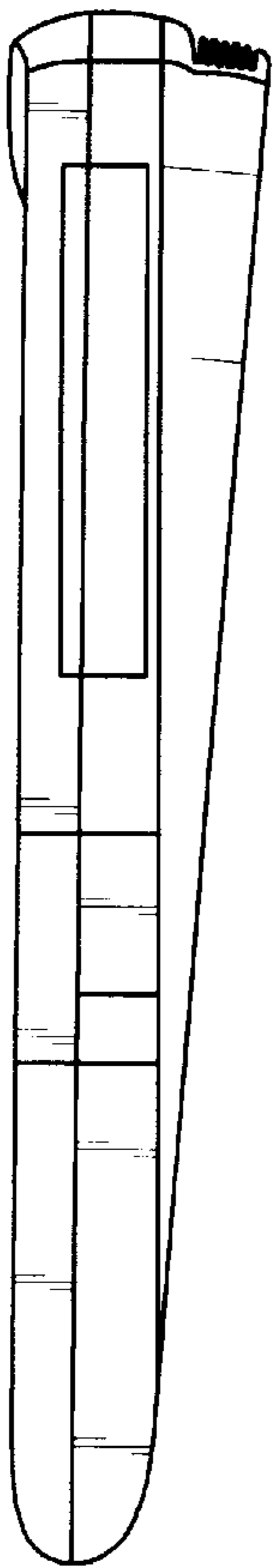
*FIG. 2*



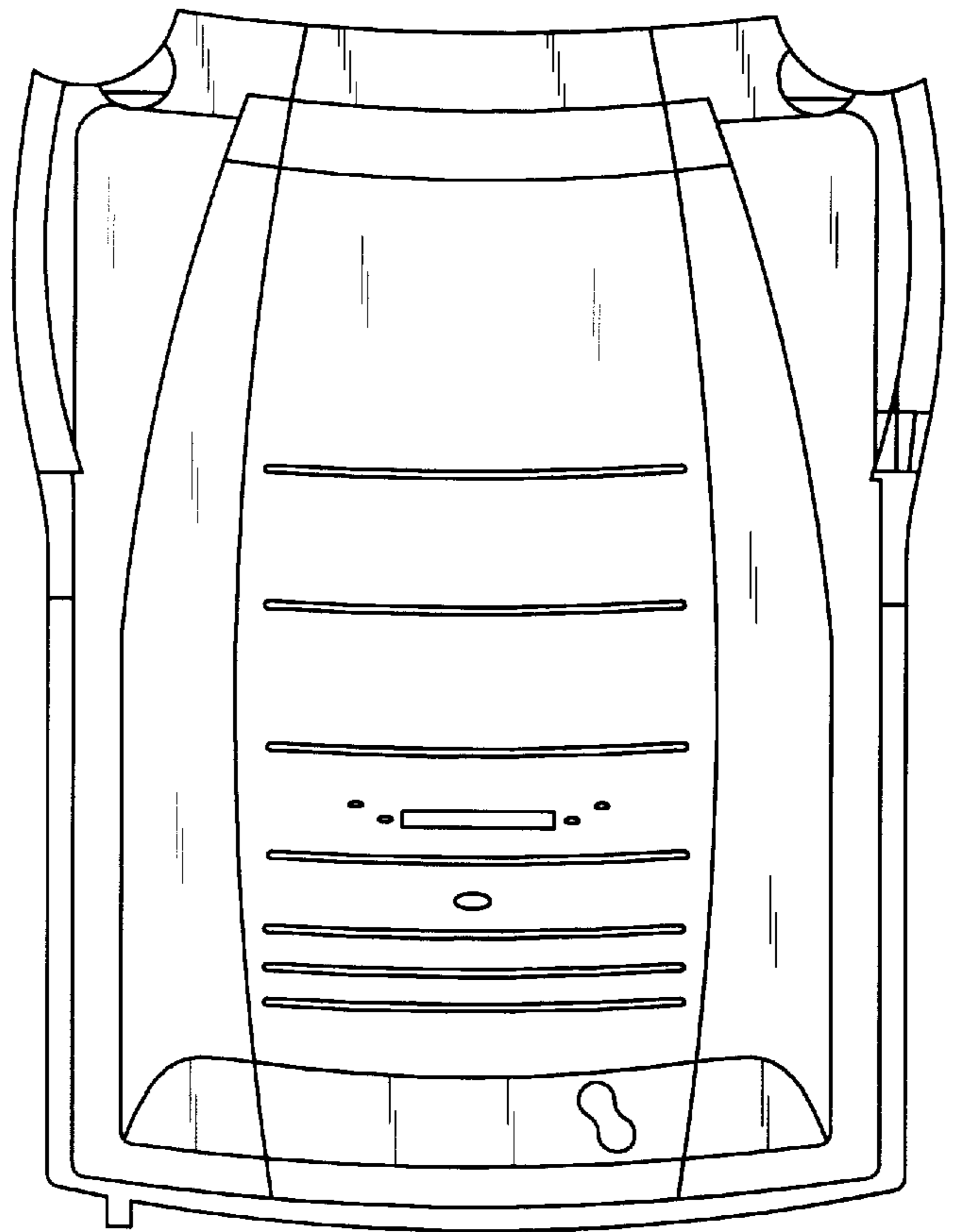
*FIG. 3*



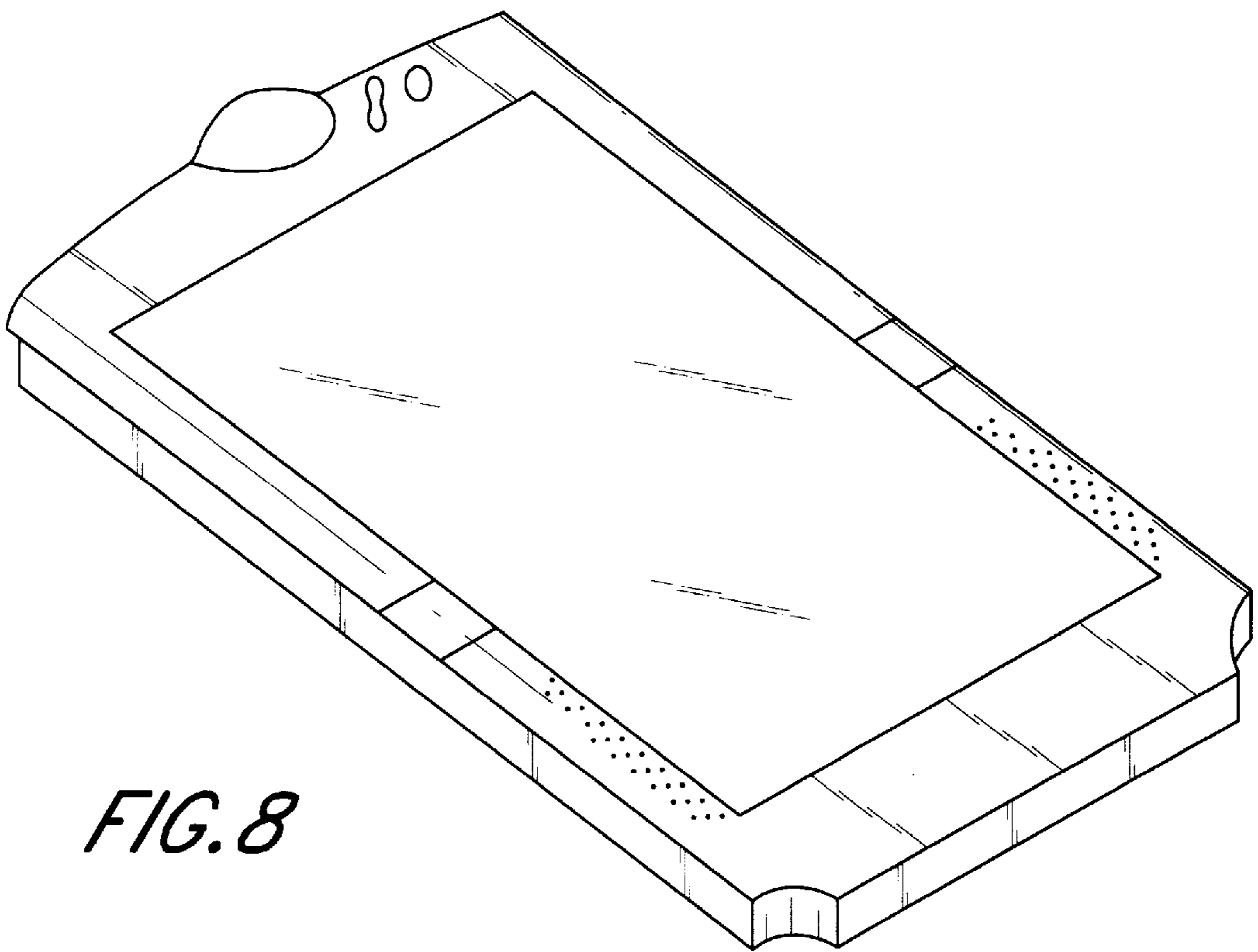
*FIG. 6*



*FIG. 5*



*FIG. 7*



*FIG. 8*