



US00D449040B1

(12) **United States Design Patent**  
**Weikel et al.**

(10) **Patent No.:** **US D449,040 S**

(45) **Date of Patent:** **\*\* Oct. 9, 2001**

(54) **MICROPHONE**

(75) Inventors: **Raymond K. Weikel**, Camas, WA (US); **Dominic Amae**, Aloha, OR (US); **Donald Mayette**, Vancouver; **Bruce Lancaster**, Camas, both of WA (US); **Philip White**; **Symon Lee**, both of Portland, OR (US)

(73) Assignee: **Labtec Corporation**, Vancouver, WA (US)

(\*\*) Term: **14 Years**

(21) Appl. No.: **29/129,799**

(22) Filed: **Sep. 20, 2000**

(51) **LOC (7) Cl.** ..... **14-01**

(52) **U.S. Cl.** ..... **D14/227**

(58) **Field of Search** ..... D14/206, 223-229; 181/158, 242; 381/122, 168, 169

(56) **References Cited**

**U.S. PATENT DOCUMENTS**

- D. 366,045 \* 1/1996 Hirschhorn ..... D14/228
- D. 375,749 \* 11/1996 Chiang ..... D14/227

- D. 395,894 \* 7/1998 Hern et al. .... D14/227
- 3,560,668 \* 2/1971 Warning ..... 181/158 X
- 4,789,044 \* 12/1988 Akino ..... 181/158

\* cited by examiner

*Primary Examiner*—Nanda Bondade  
(74) *Attorney, Agent, or Firm*—Ipsolon LLP.

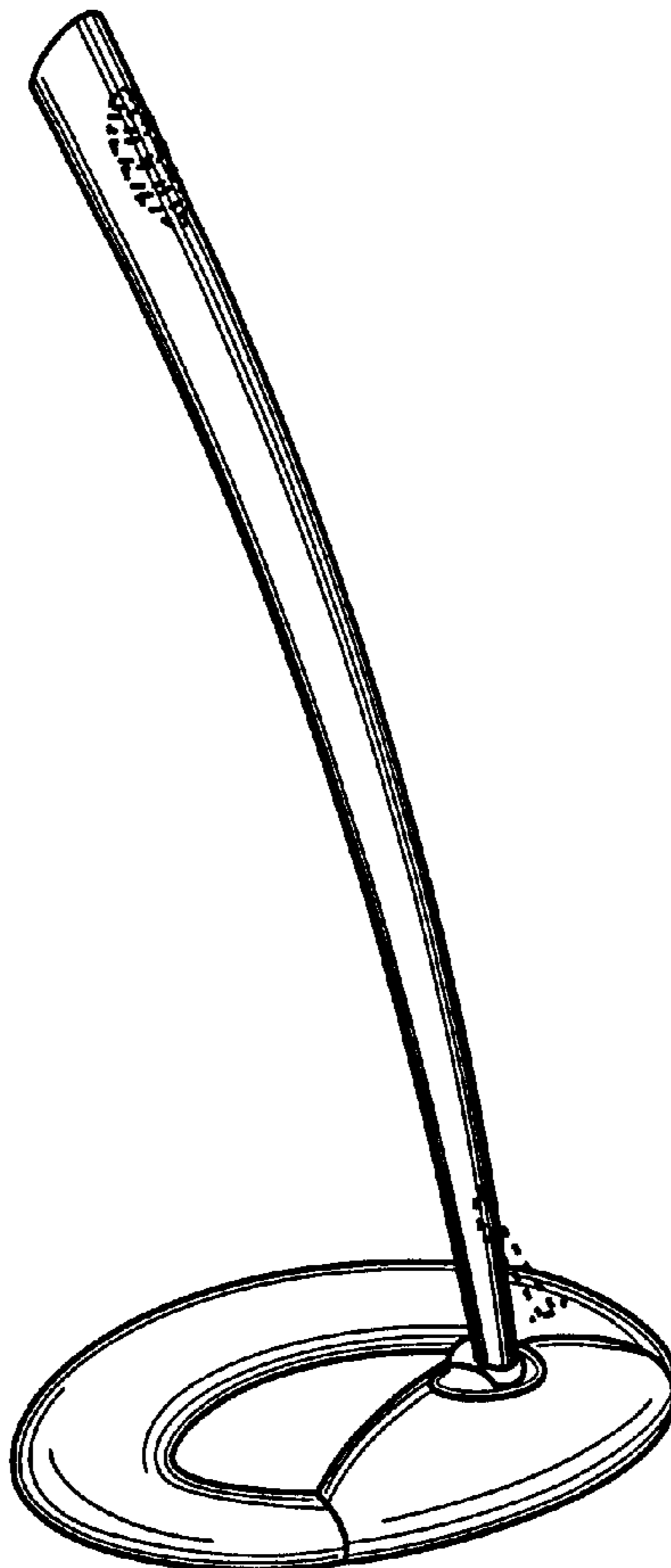
(57) **CLAIM**

The ornamental design for a microphone, as shown and described.

**DESCRIPTION**

FIG. 1 is a rear and left side isometric view of a microphone showing our new design;  
 FIG. 2 is a front and right side isometric view thereof;  
 FIG. 3 is a top plan view thereof;  
 FIG. 4 is a rear elevational view thereof;  
 FIG. 5 is a front elevational view thereof;  
 FIG. 6 is a right side elevational view thereof, the left side being a mirror image; and,  
 FIG. 7 is a bottom plan view thereof.  
 The broken line showing of the microphone apertures, cable attachment and base details are for illustrative purpose only and form no part of the claimed design.

**1 Claim, 1 Drawing Sheet**



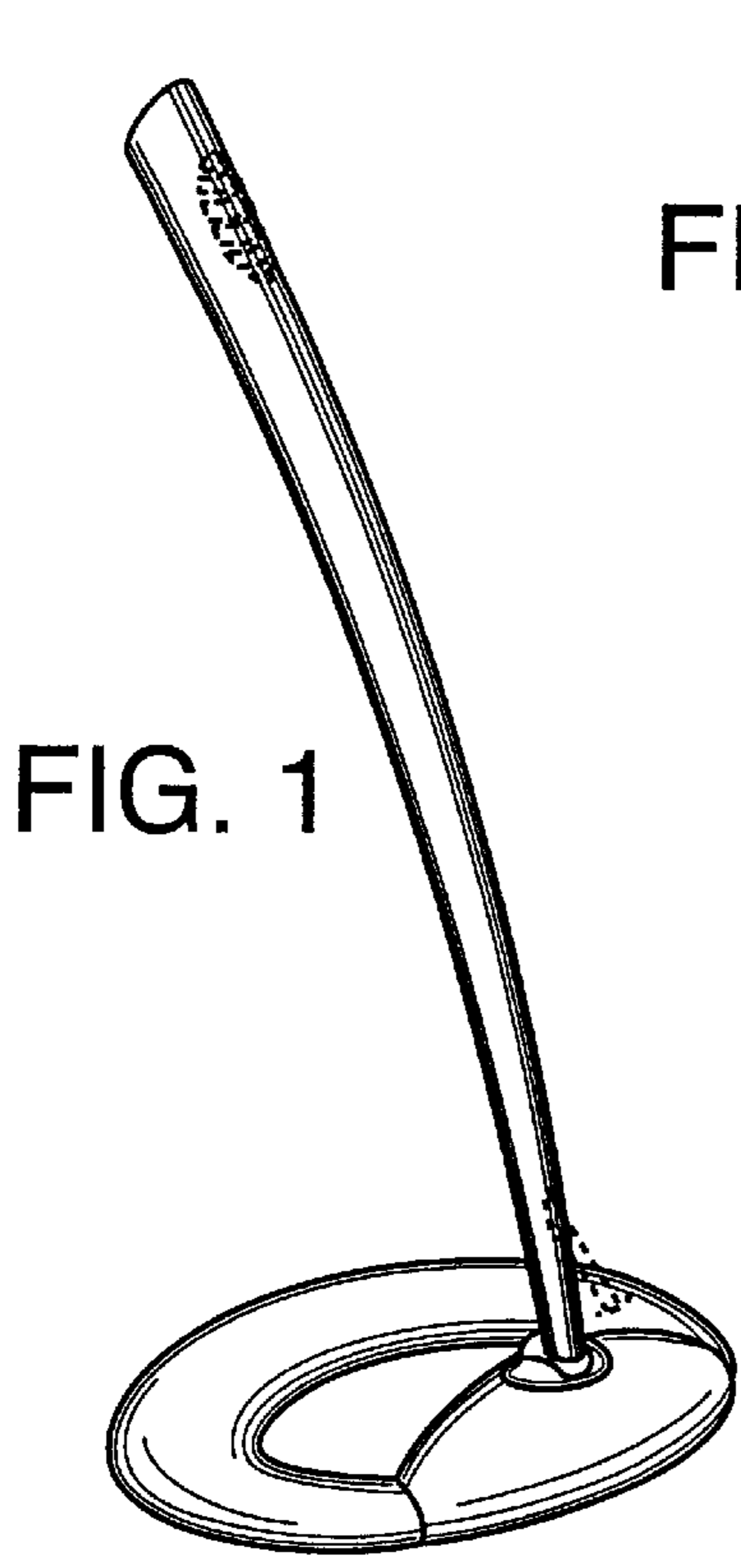


FIG. 1

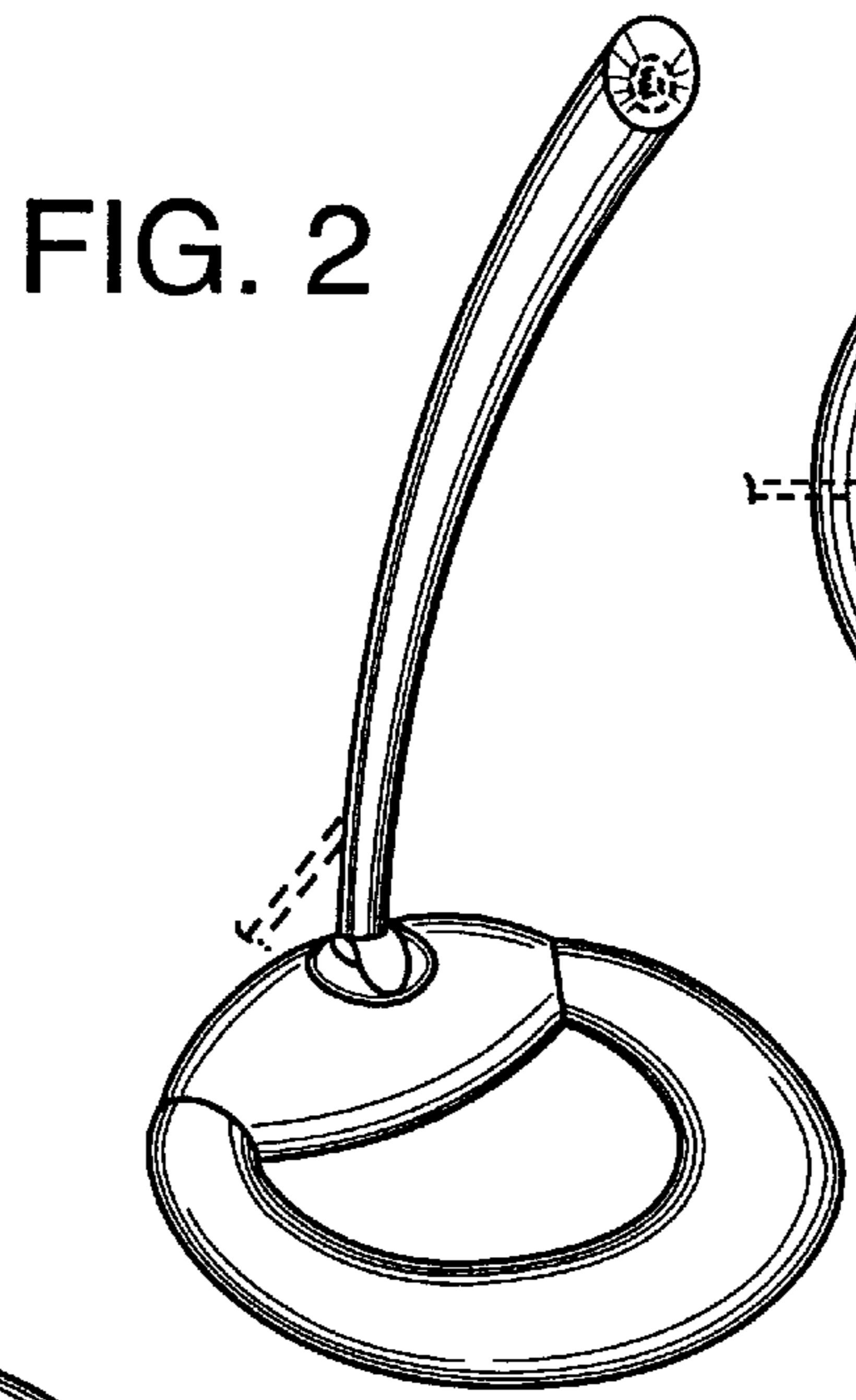


FIG. 2

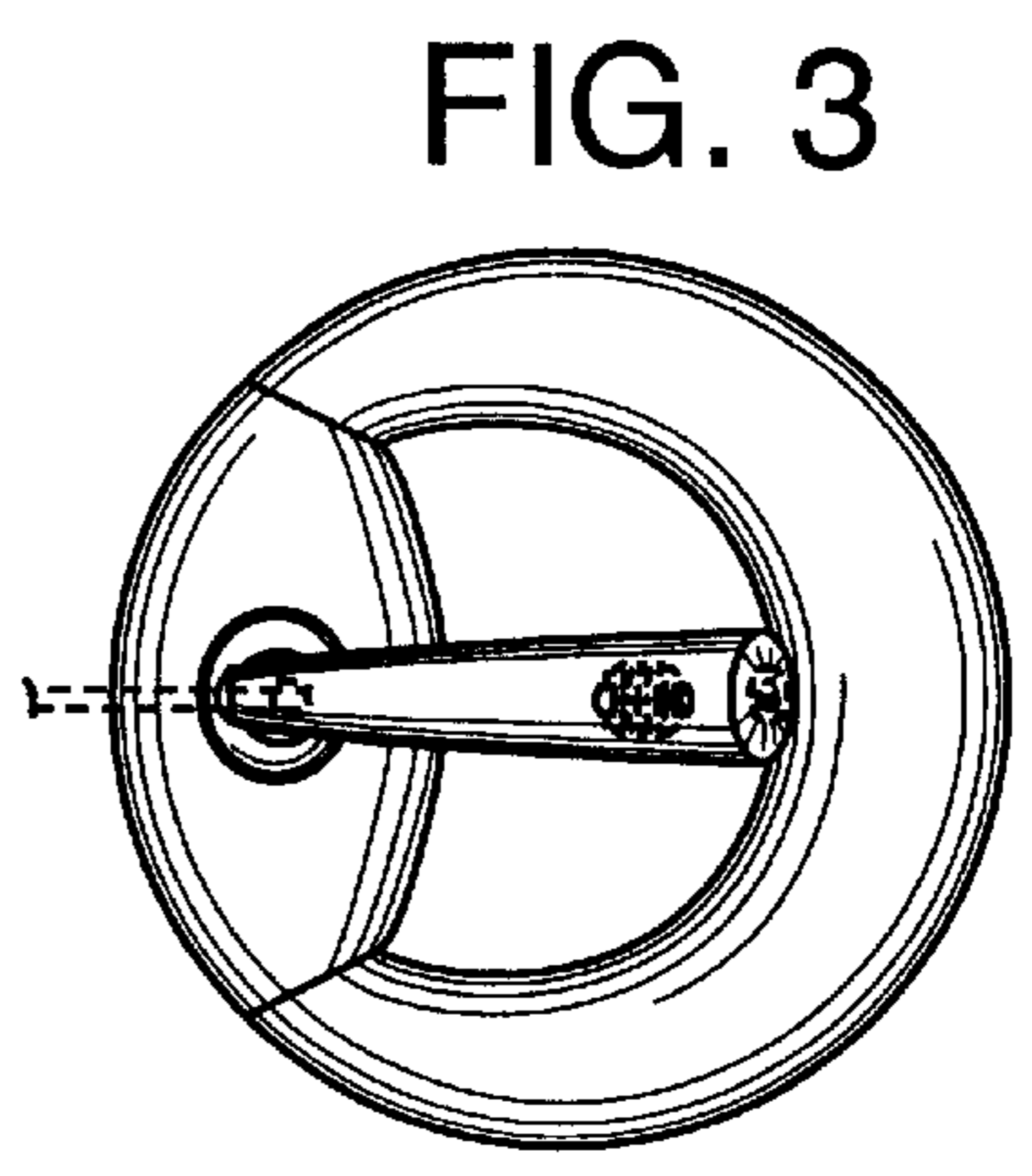


FIG. 3

FIG. 4

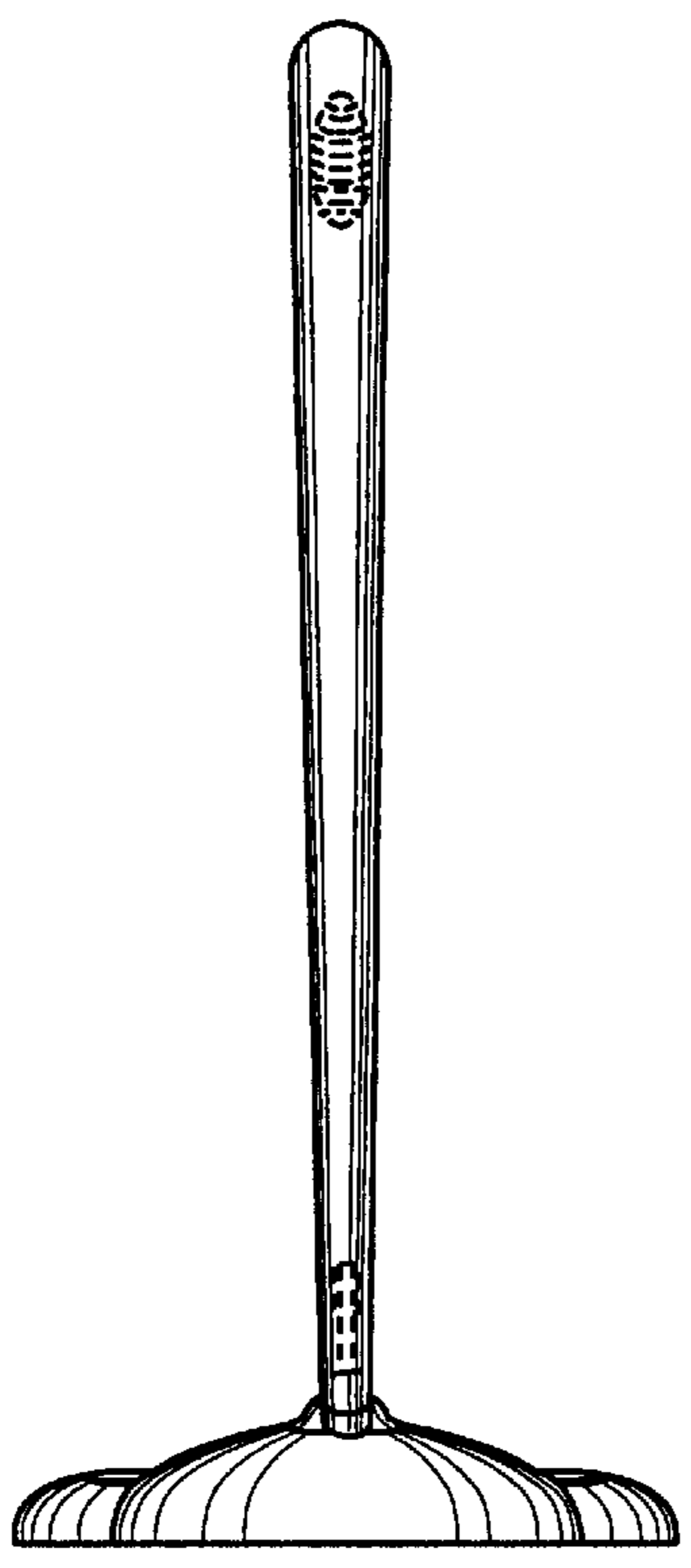


FIG. 5

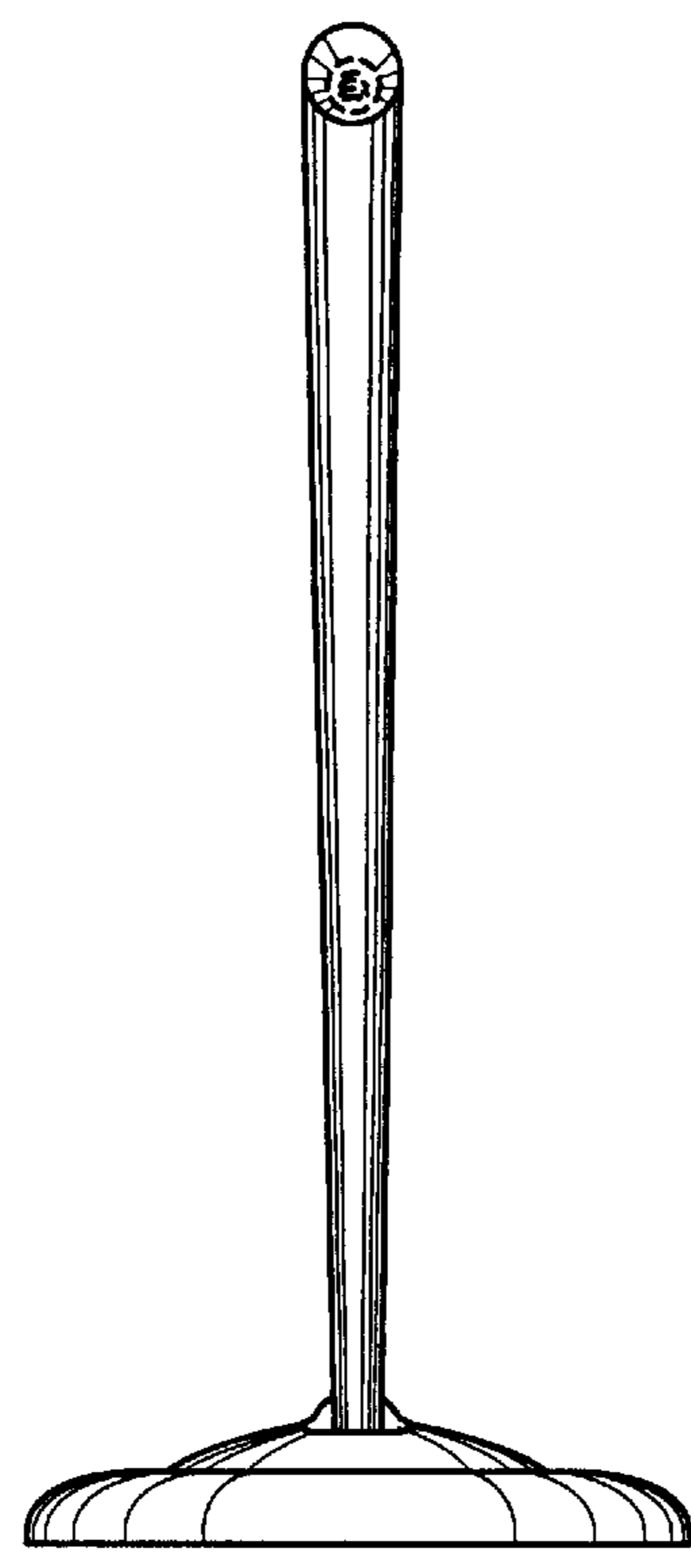


FIG. 6

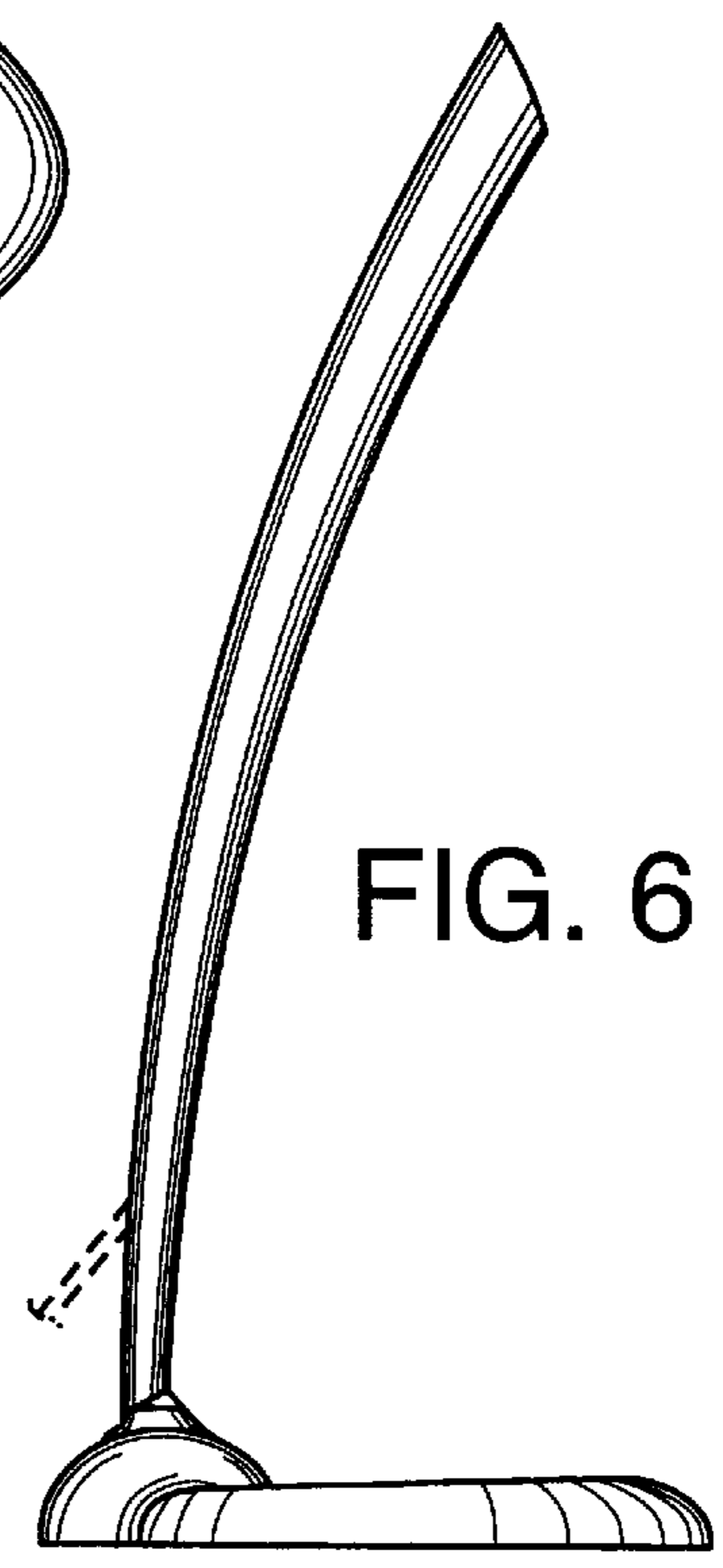


FIG. 7

