



US00D449037B1

(12) **United States Design Patent**
Matsuzaka

(10) **Patent No.:** **US D449,037 S**

(45) **Date of Patent:** **** Oct. 9, 2001**

(54) **REMOTE CONTROLLER**

(75) Inventor: **Yozo Matsuzaka**, Tokyo (JP)

(73) Assignee: **Sony Corporation**, Tokyo (JP)

(**) Term: **14 Years**

(21) Appl. No.: **29/126,171**

(22) Filed: **Jul. 12, 2000**

(51) **LOC (7) Cl.** **14-03**

(52) **U.S. Cl.** **D14/218**

(58) **Field of Search** D14/217, 218,
D14/192, 165, 163; D13/168; 348/734;
455/151.1, 151.2, 151.3, 151.4, 152.1, 352-355;
200/331; D10/104, 106

(56) **References Cited**

U.S. PATENT DOCUMENTS

D. 341,837	*	11/1993	Curbun	D14/218
D. 368,478	*	4/1996	Bernstein et al.	D14/218
D. 396,845	*	8/1998	Caldes	D14/168
D. 406,588		3/1999	Sogabe	D14/156
D. 425,890		5/2000	Kataoka	D14/163
D. 436,878	*	1/2001	Vassell	D10/104

OTHER PUBLICATIONS

Catalog "Multi Media SOCIO-TECH", 4 sheets, Mitsubishi, Jun. 1999.

Catalog "Plus Media Station SAS-MS9SET", 4 sheets, Sony, Jul., 1999.

Catalog "Carrozzeria DVD CYBER NAVI", 3 sheets, Pioneer, Jul. 1999.

Catalog "Big show Data", 4 sheets, Sanyo, Aug. 1999.

* cited by examiner

Primary Examiner—Louis S. Zarfes

Assistant Examiner—Gregory Andoll

(74) *Attorney, Agent, or Firm*—Rader, Fishman & Grauer, PLLC

(57) **CLAIM**

The ornamental design for a remote controller, as shown and described.

DESCRIPTION

FIG. 1 is a perspective view of the front portion of a remote controller showing my design;

FIG. 2 is a top plan view thereof;

FIG. 3 is a bottom plan view thereof;

FIG. 4 is a left side elevational view thereof;

FIG. 5 is a right side elevational view thereof; and

FIG. 6 is a front elevational view thereof; and,

FIG. 7 is a rear elevational view thereof.

The portions in broken lines, including FIG. 7, are for illustrative purposes only and form no part of claimed design.

1 Claim, 4 Drawing Sheets

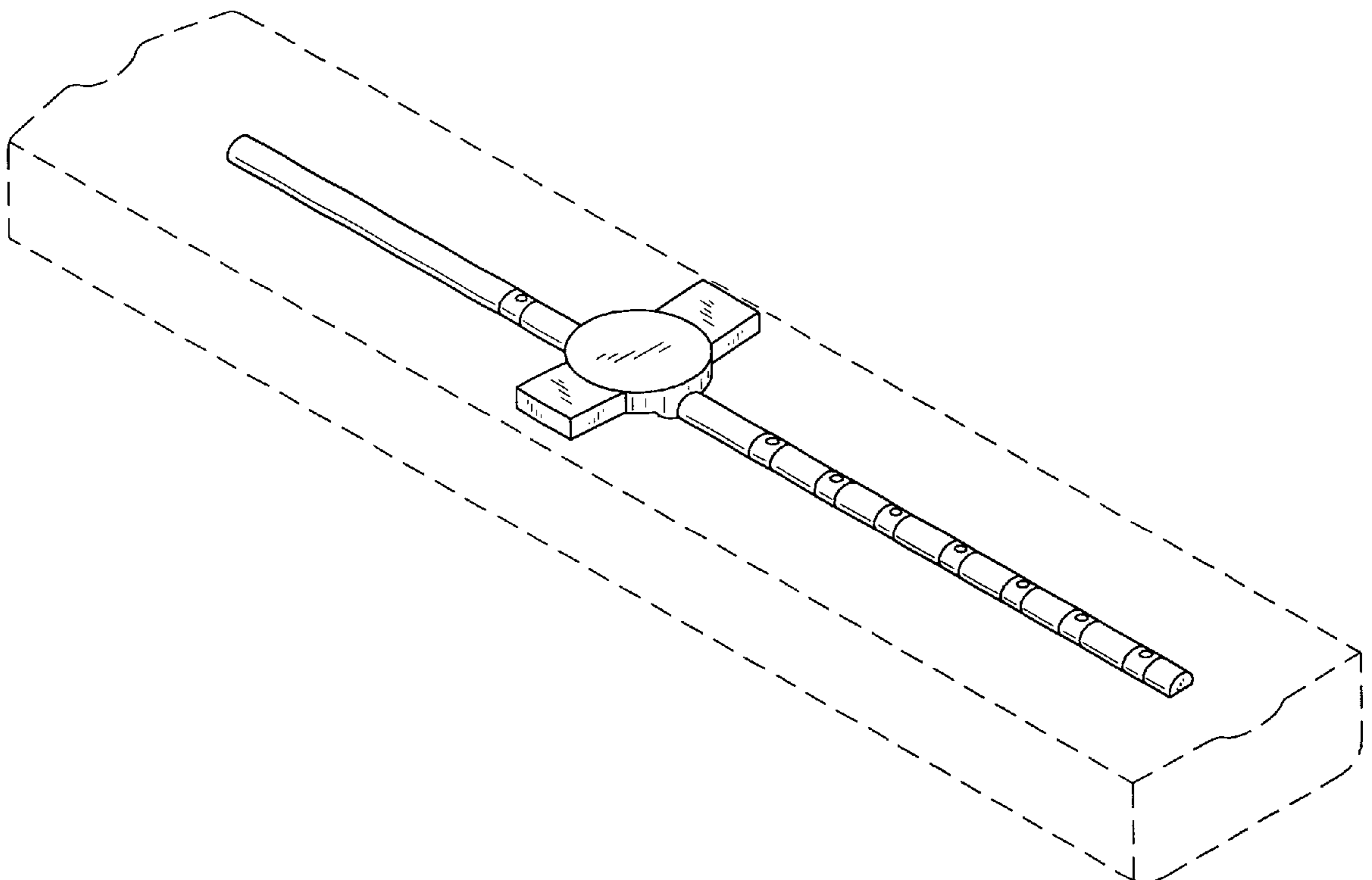


FIG. 1

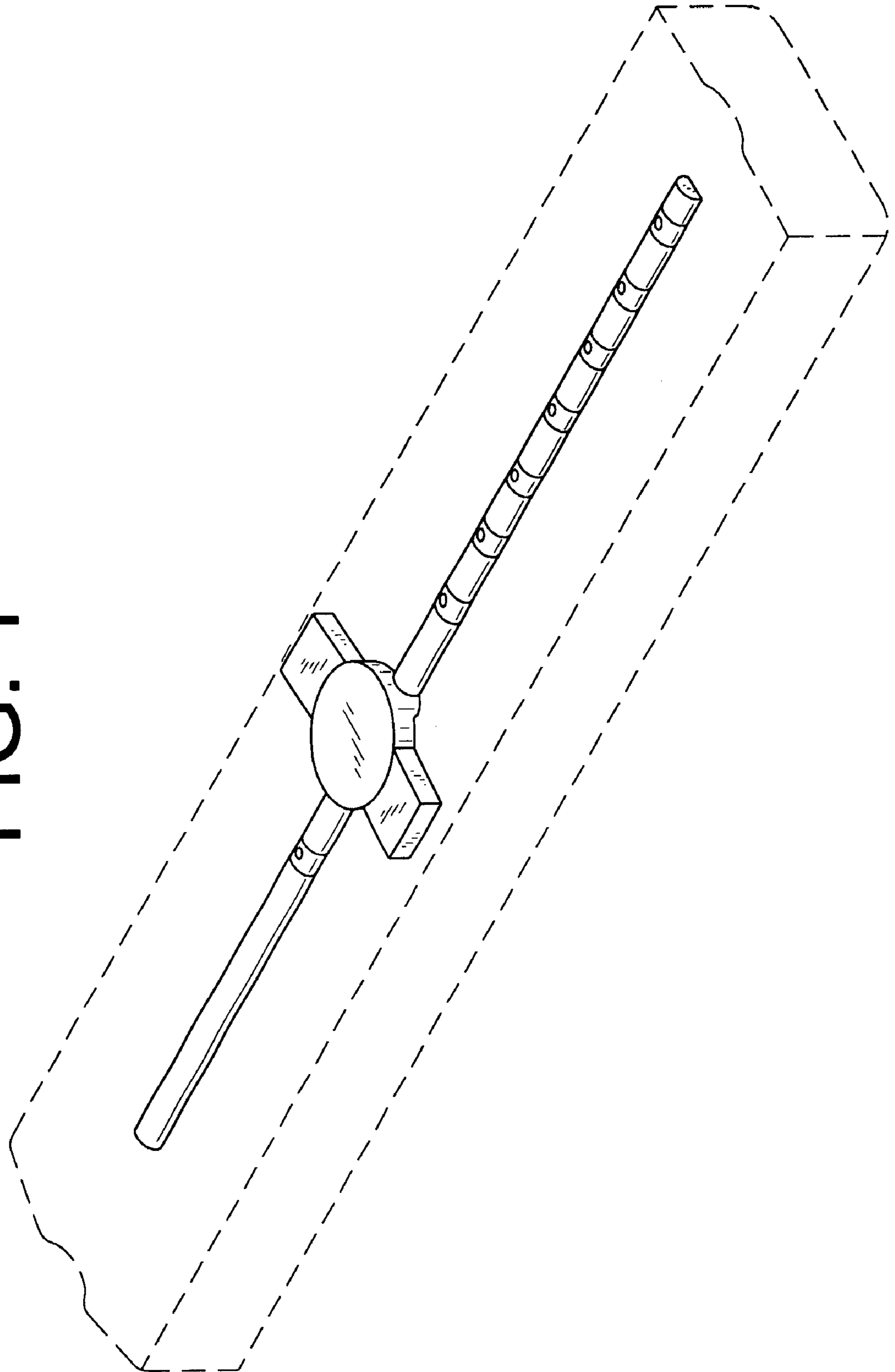


FIG. 2

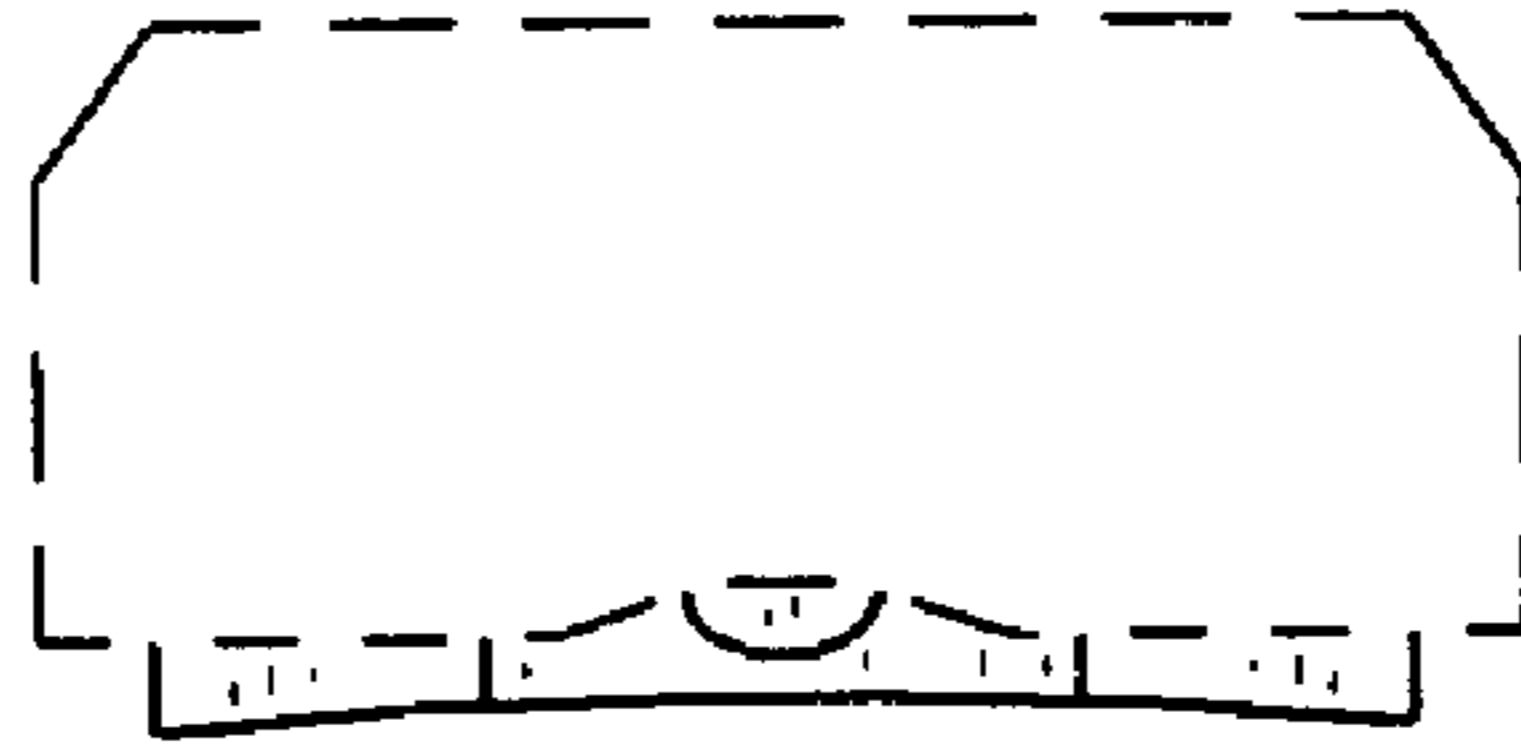


FIG. 3

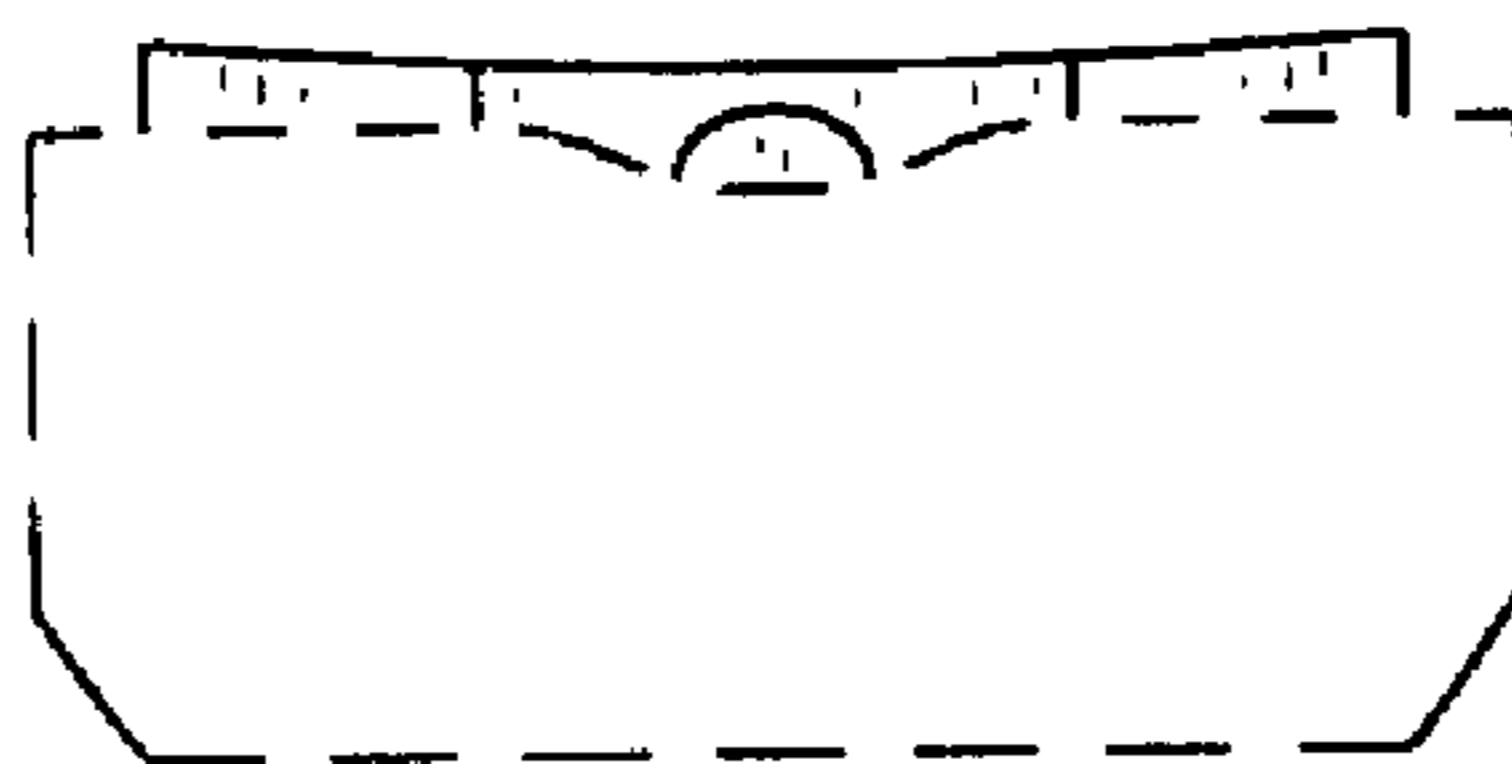


FIG. 4

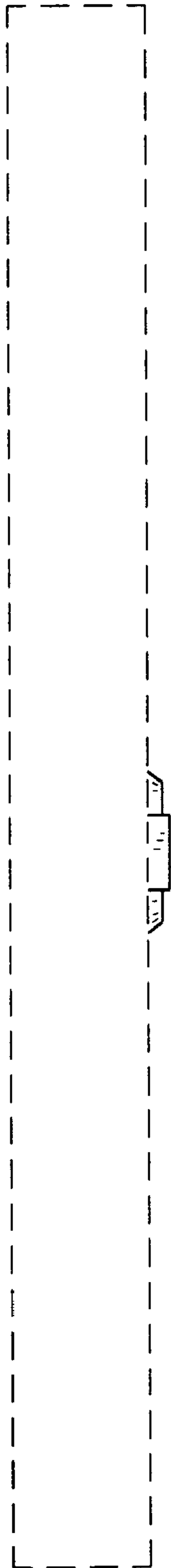


FIG. 5

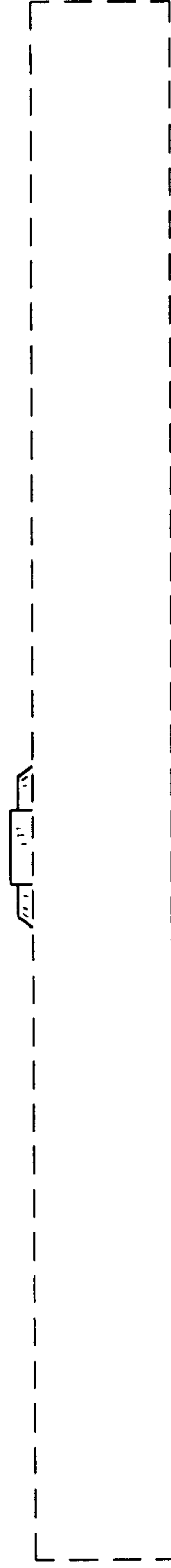


FIG. 6

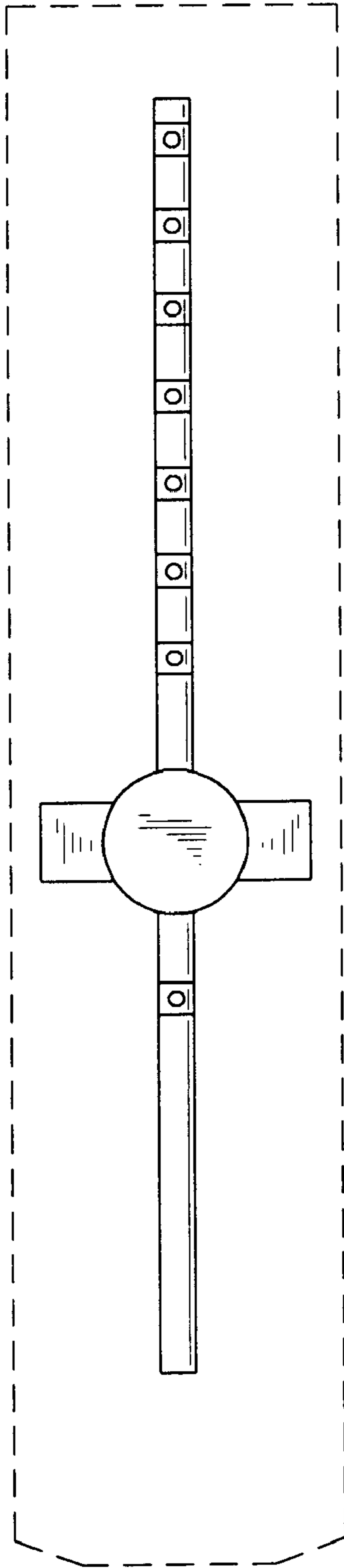


FIG. 7

