



US00D449036B1

(12) **United States Design Patent**  
**Weikel et al.**

(10) **Patent No.:** **US D449,036 S**

(45) **Date of Patent:** **\*\* Oct. 9, 2001**

(54) **SPEAKER**

(75) Inventors: **Raymond Weikel; Alan Smith**, both of Camas, WA (US); **Brad Helm**, Tualatin, OR (US); **Donald Mayette**, Vancouver, WA (US)

(73) Assignee: **Labtec Corporation**, Vancouver, WA (US)

(\*\*) Term: **14 Years**

(21) Appl. No.: **29/130,408**

(22) Filed: **Sep. 28, 2000**

(51) **LOC (7) Cl.** ..... **14-01**

(52) **U.S. Cl.** ..... **D14/215; D14/214**

(58) **Field of Search** ..... **D14/204, 210-216; 181/144-145, 147-148, 150, 153, 198-199; 381/300-302, 307, 332-336, 386**

(56) **References Cited**

**U.S. PATENT DOCUMENTS**

D. 377,176 \* 1/1997 Ito et al. .... D14/215

D. 404,036 \* 1/1999 Shin et al. .... D14/211  
D. 409,198 \* 5/1999 Harvey et al. .... D14/215  
5,937,074 \* 10/1999 Carver ..... 181/148

\* cited by examiner

*Primary Examiner*—Nanda Bondade

(74) *Attorney, Agent, or Firm*—ipsolon llp

(57) **CLAIM**

The ornamental design for a speaker, as shown and described.

**DESCRIPTION**

FIG. 1 is a isometric front view of a speaker showing our new design;

FIG. 2 is front elevational view thereof;

FIG. 3 is a right side elevational view thereof, the left side, top and bottom view being mirror images thereof; and,

FIG. 4 is a rear elevational view thereof.

The broken line showing of the planar backing, a volume control and cable connectors on FIG. 4 is for illustrative purposes only and forms no part of the claimed design.

**1 Claim, 1 Drawing Sheet**

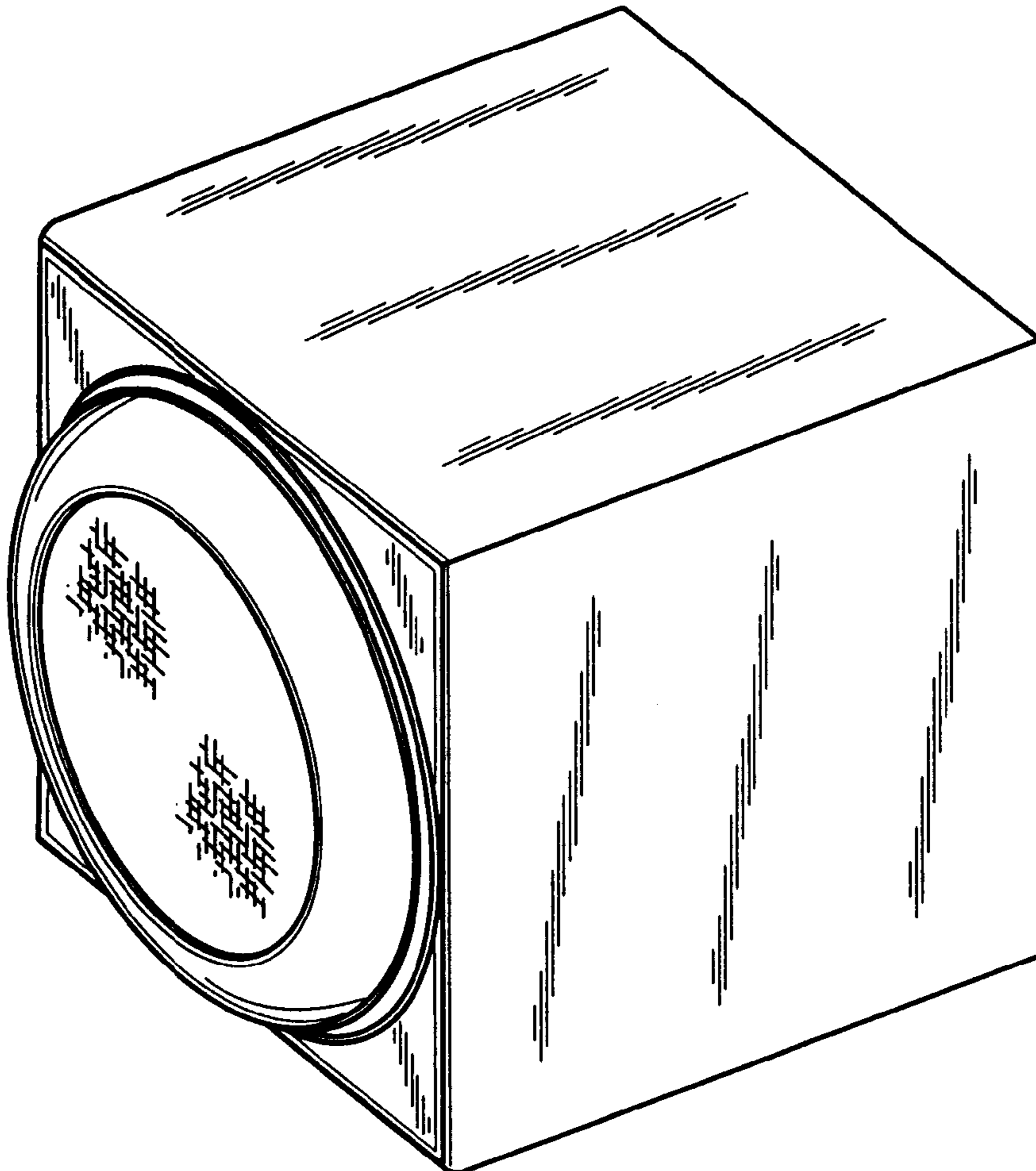


FIG. 1

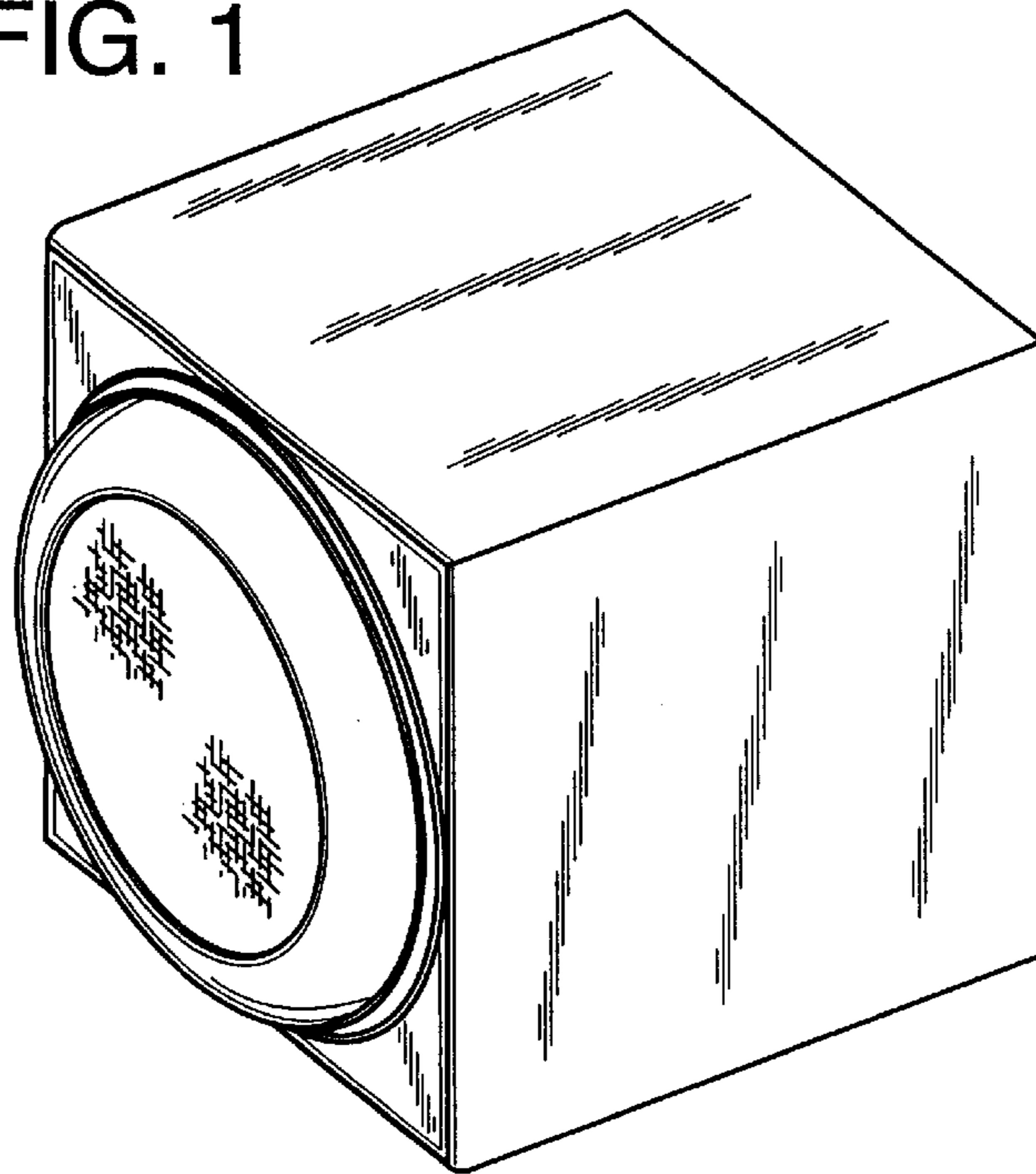


FIG. 2

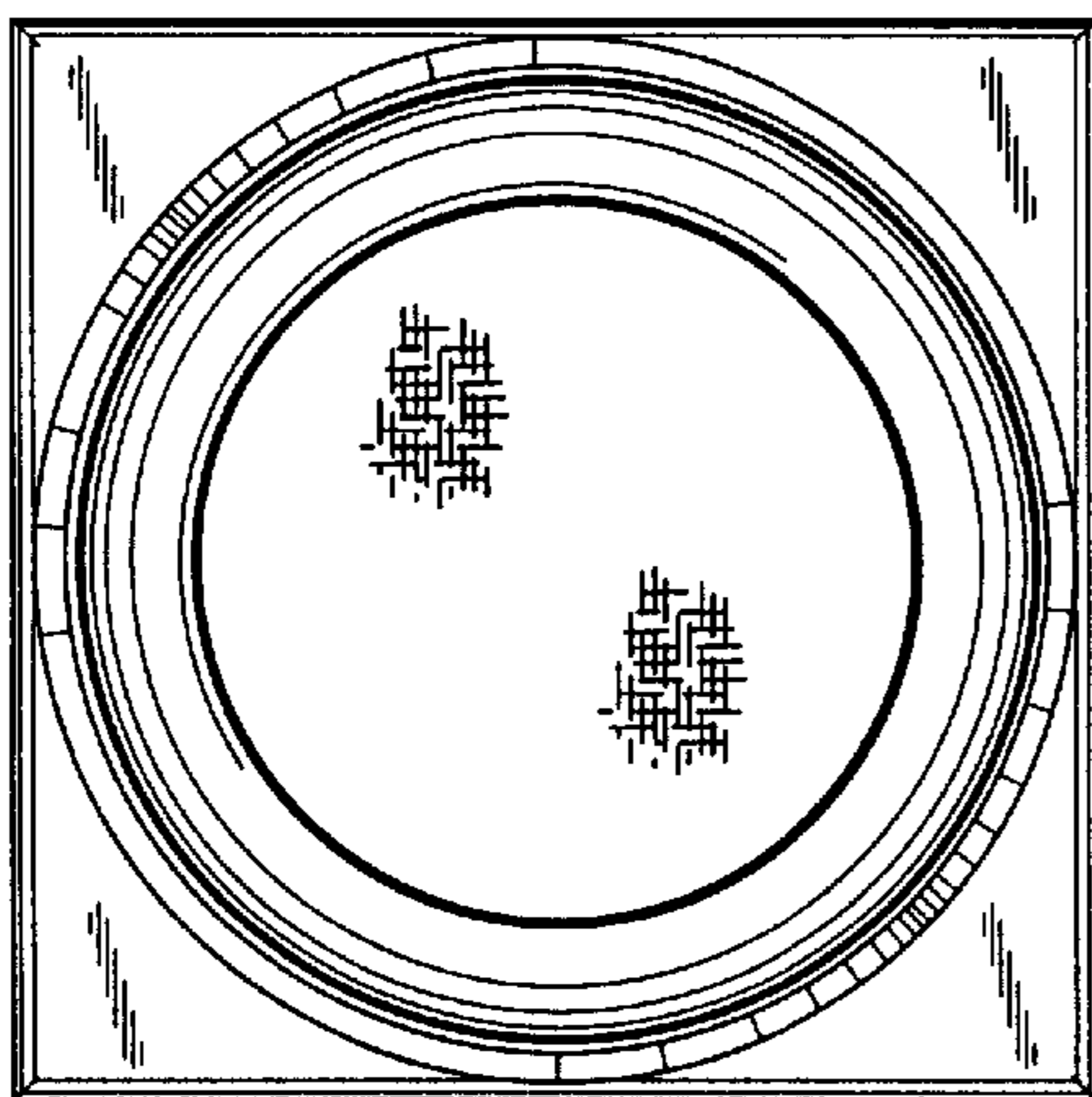


FIG. 3

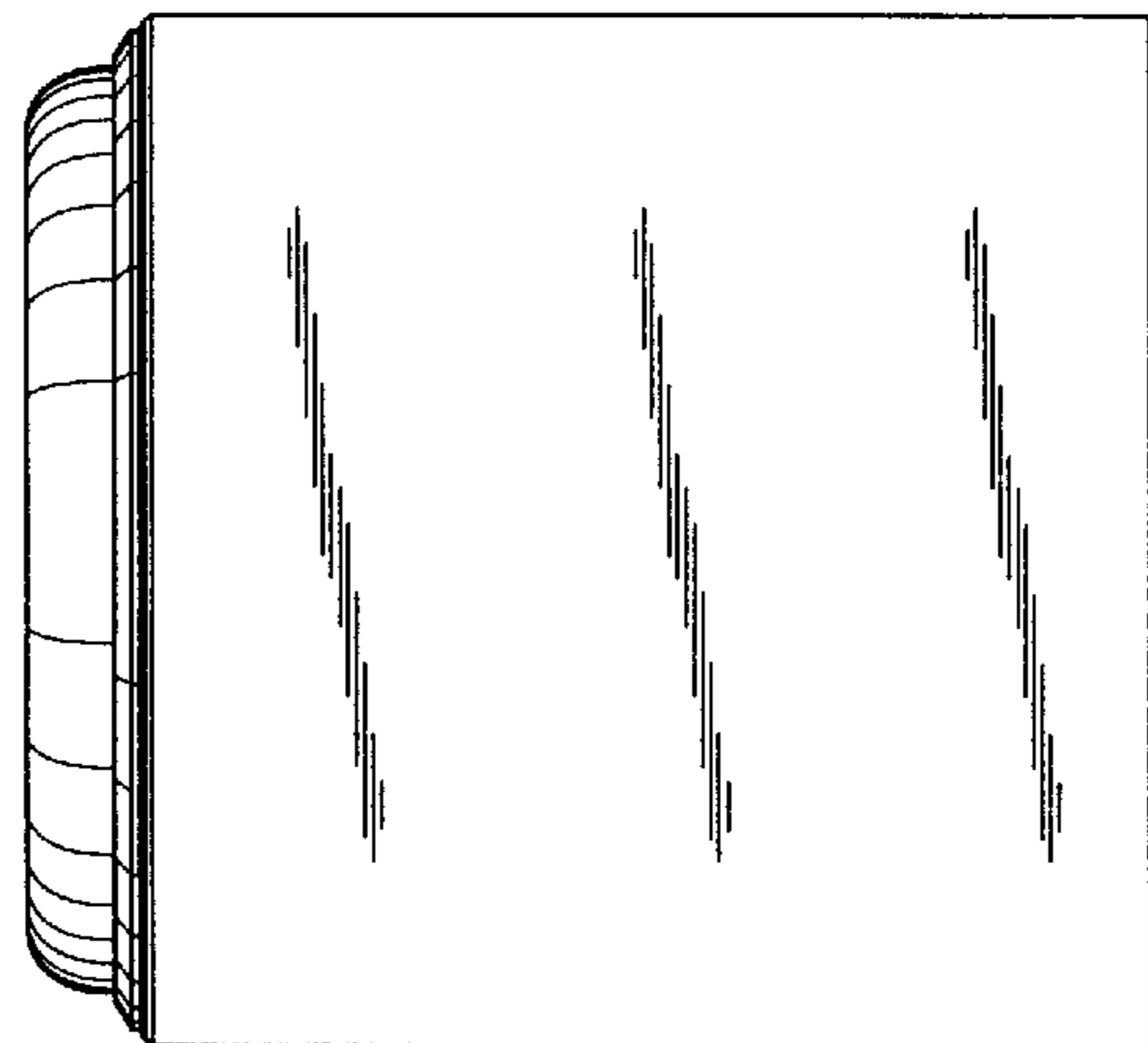


FIG. 4

