



US00D449034B1

(12) **United States Design Patent**
Weikel et al.

(10) **Patent No.:** **US D449,034 S**

(45) **Date of Patent:** **** Oct. 9, 2001**

(54) **HEADPHONES**

(75) Inventors: **Raymond K. Weikel**, Camas, WA (US); **Dominic Amae**, Aloha, OR (US); **Donald Mayette**, Vancouver; **Bruce Lancaster**, Camas, both of WA (US); **Philip White**, Portland, OR (US)

(73) Assignee: **Labtec Corporation**, Vancouver, WA (US)

(**) Term: **14 Years**

(21) Appl. No.: **29/130,399**

(22) Filed: **Sep. 29, 2000**

(51) **LOC (7) Cl.** **14-01**

(52) **U.S. Cl.** **D14/205**

(58) **Field of Search** D14/147, 192, D14/205, 206, 223, 248; 181/128-130; 379/430, 431; 381/374, 376-379, 381

(56) **References Cited**

U.S. PATENT DOCUMENTS

D. 358,391 * 5/1995 Isono D14/205
D. 376,598 * 12/1996 Hayashi D14/206

D. 381,987 * 8/1997 Tsuge D14/205
D. 423,012 * 4/2000 Yasutomi D14/205
5,528,689 * 6/1996 Chan 379/430
6,154,539 * 11/2000 Pitel 379/430

* cited by examiner

Primary Examiner—Nanda Bondade

(74) *Attorney, Agent, or Firm*—Ipsolon LLP.

(57) **CLAIM**

The ornamental design for headphones, as shown and described.

DESCRIPTION

FIG. 1 is a perspective view of a headset showing our new design;

FIG. 2 is front elevational view thereof, the rear view being a mirror image;

FIG. 3 is a top plan view thereof;

FIG. 4 is a bottom plan view thereof;

FIG. 5 is a right side elevational view thereof; and,

FIG. 6 is a left side elevational view thereof.

The broken lines shown in the Figures are for illustrative purposes only and form no part of the claimed design.

1 Claim, 4 Drawing Sheets

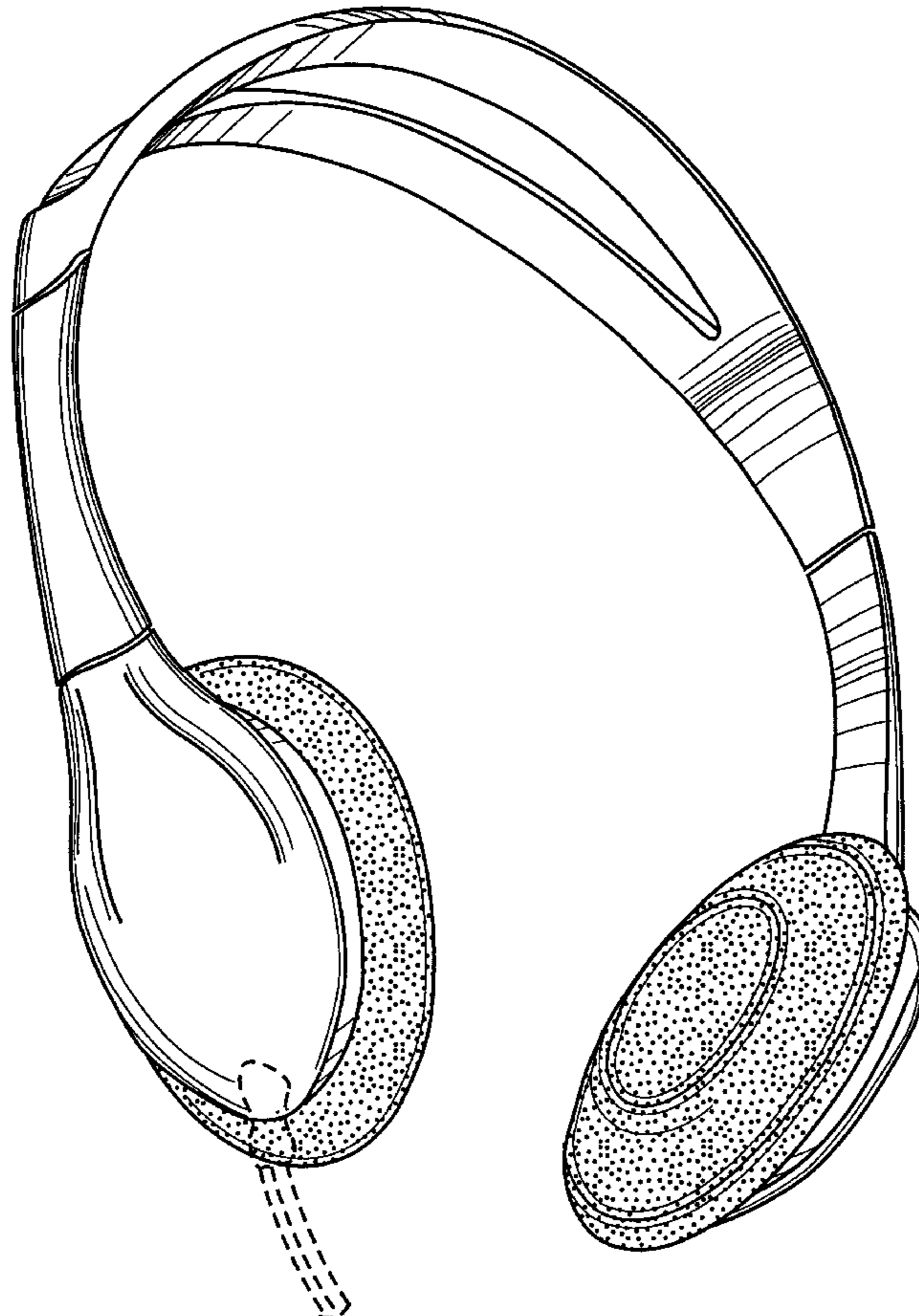


FIG. 1

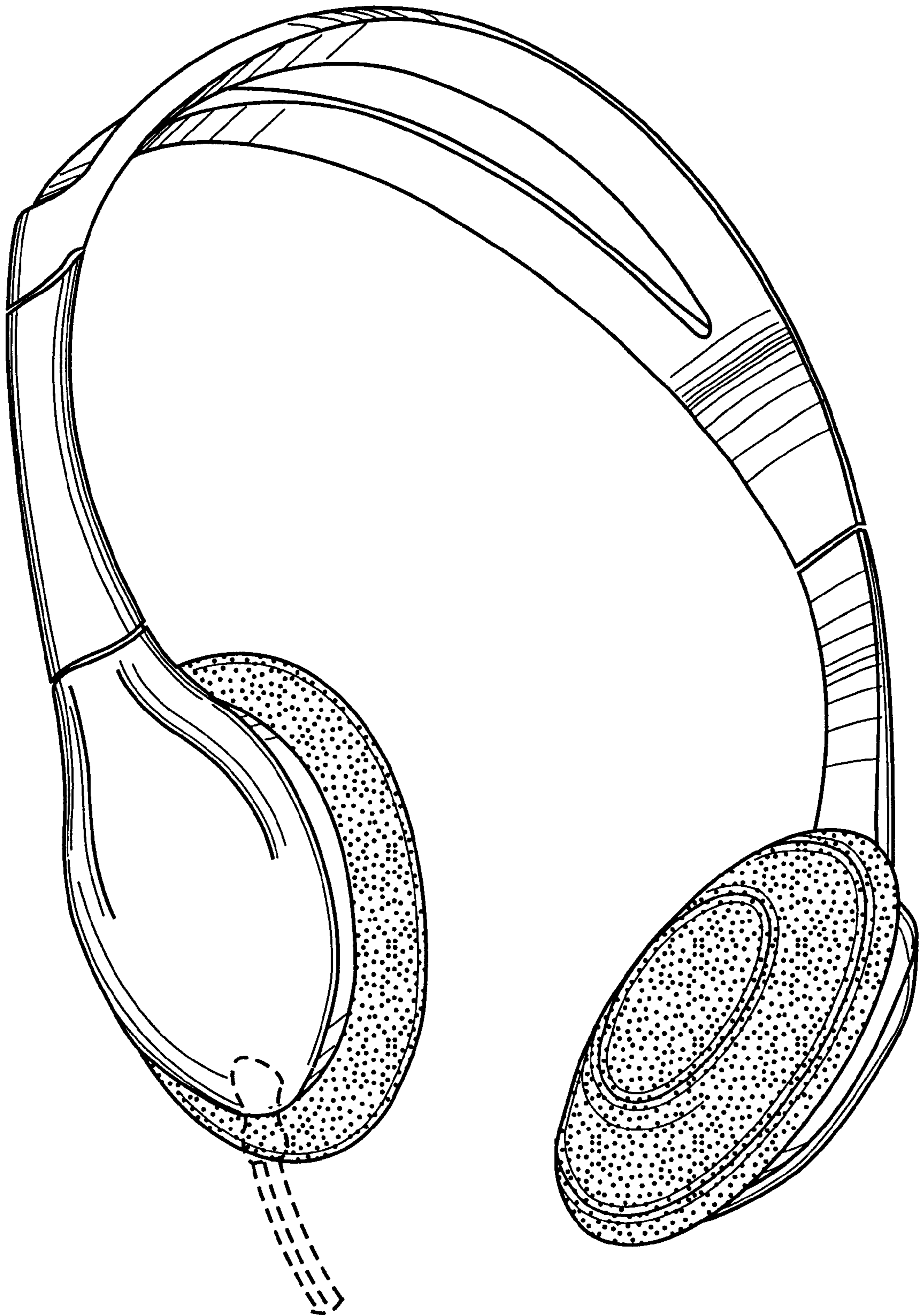


FIG. 2



FIG. 3

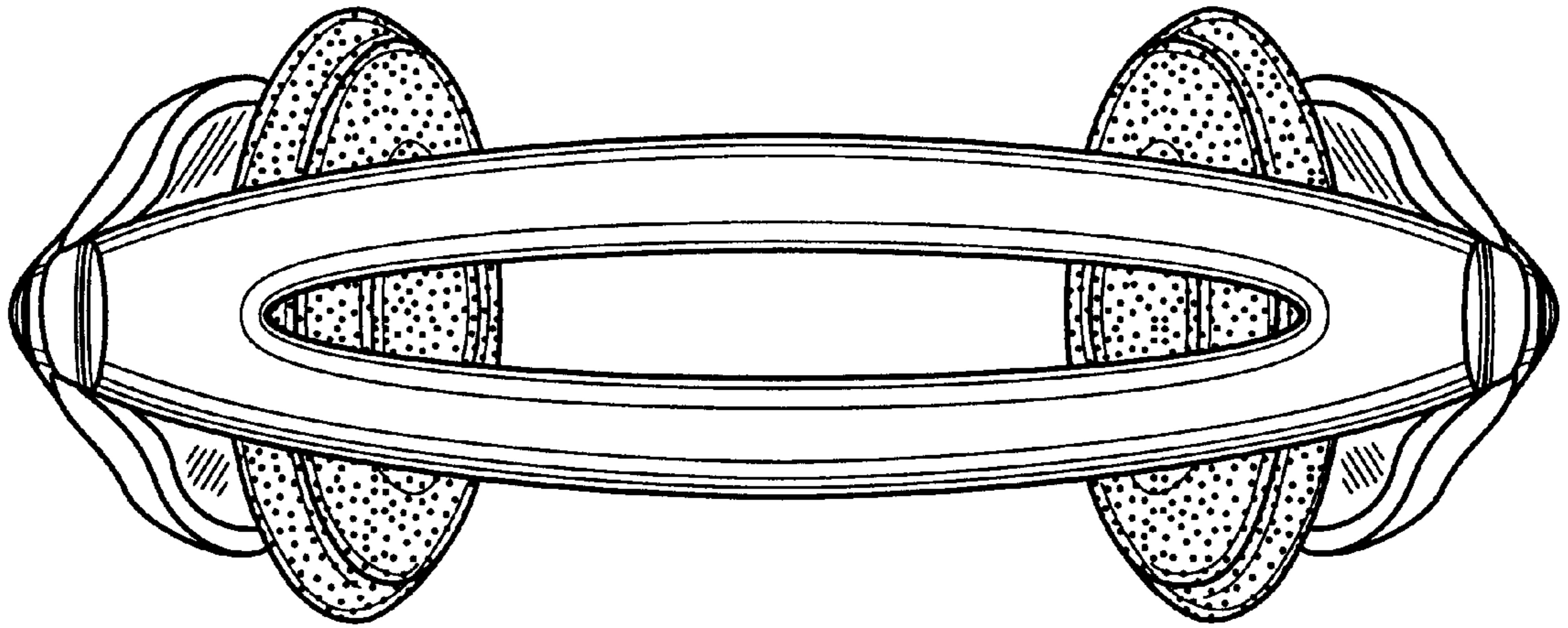


FIG. 4

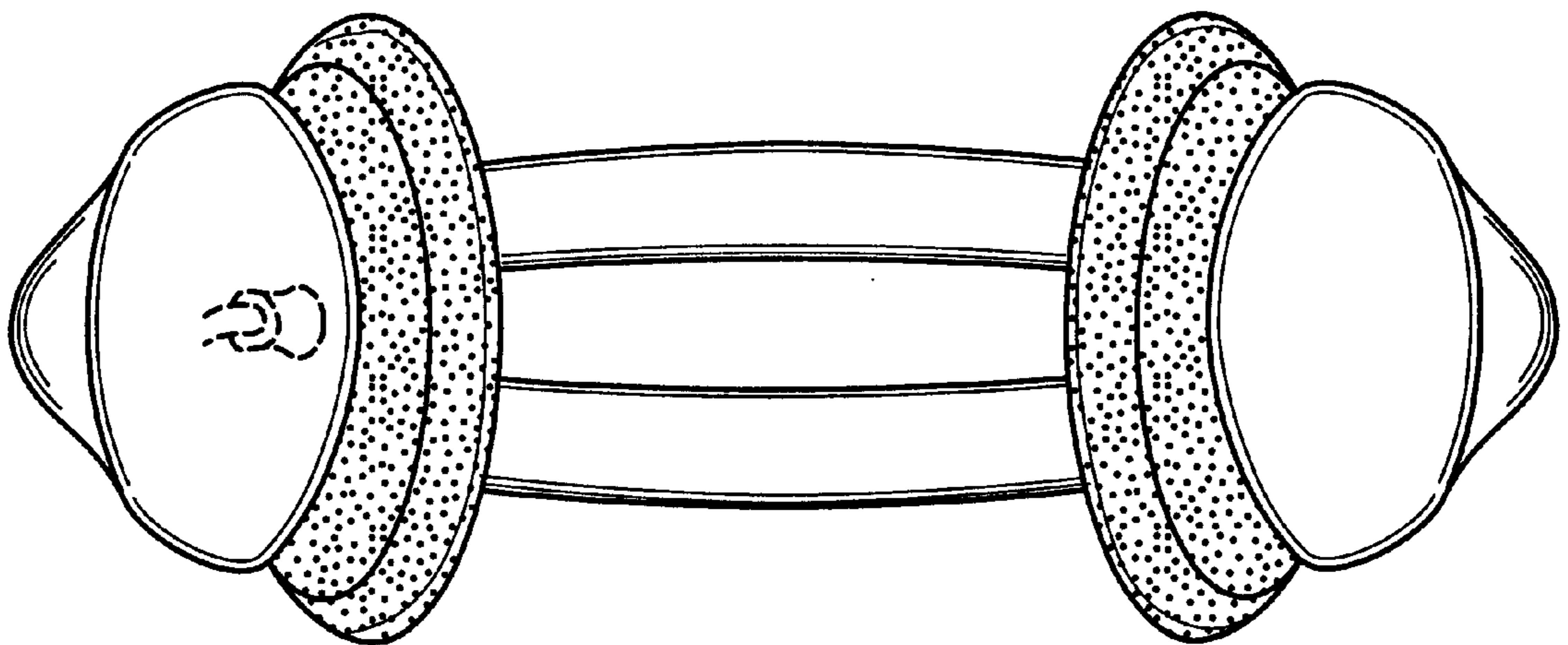


FIG. 5

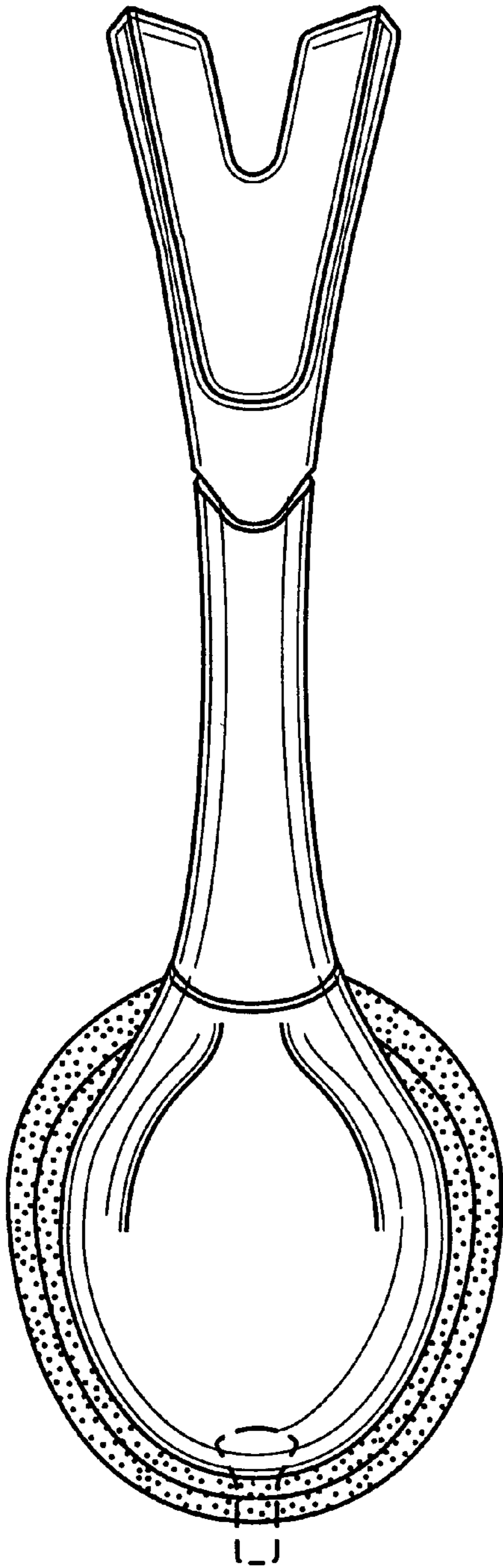


FIG. 6

