



US00D449033B1

(12) **United States Design Patent**
Layne

(10) **Patent No.:** **US D449,033 S**

(45) **Date of Patent:** **** Oct. 9, 2001**

(54) **VOICE RECORDING/PLAYBACK FOR A FLOWER**

Primary Examiner—Nanda Bondade
(74) *Attorney, Agent, or Firm*—Brady, O’Boyle & Gates

(76) **Inventor:** **Frank Layne**, #332, 2234 N. Federal Hwy., Boca Raton, FL (US) 33431

(57) **CLAIM**

(**) **Term:** **14 Years**

The ornamental design for a voice recording/playback for a flower, as shown and described.

(21) **Appl. No.:** **29/129,950**

DESCRIPTION

(22) **Filed:** **Sep. 26, 2000**

(51) **LOC (7) Cl.** **14-01**

(52) **U.S. Cl.** **14/167**

(58) **Field of Search** D11/117; D14/160–162, D14/167–168, 188, 189, 192; 428/24, 26; 455/344, 347–351

FIG. 1 is a bottom, front perspective view of a voice recording/playback for a flower showing my new design;

FIG. 2 is a front elevational view of the voice recording/playback shown in FIG. 1;

FIG. 3 is a rear elevational view of the voice recording/playback shown in FIG. 1;

FIG. 4 is a side elevational view of the voice recording/playback shown in FIG. 1; and,

FIG. 5 is a bottom plan view thereof.

The broken line showing on FIGS. 1 and 3 is for illustrative purposes only and forms no part of the claimed design.

(56) **References Cited**

U.S. PATENT DOCUMENTS

- D. 361,766 * 8/1995 Mackay D14/160 X
- D. 396,860 * 8/1998 Yasutomi D14/168
- D. 417,869 * 12/1999 Yasutomi D4/168

* cited by examiner

1 Claim, 1 Drawing Sheet

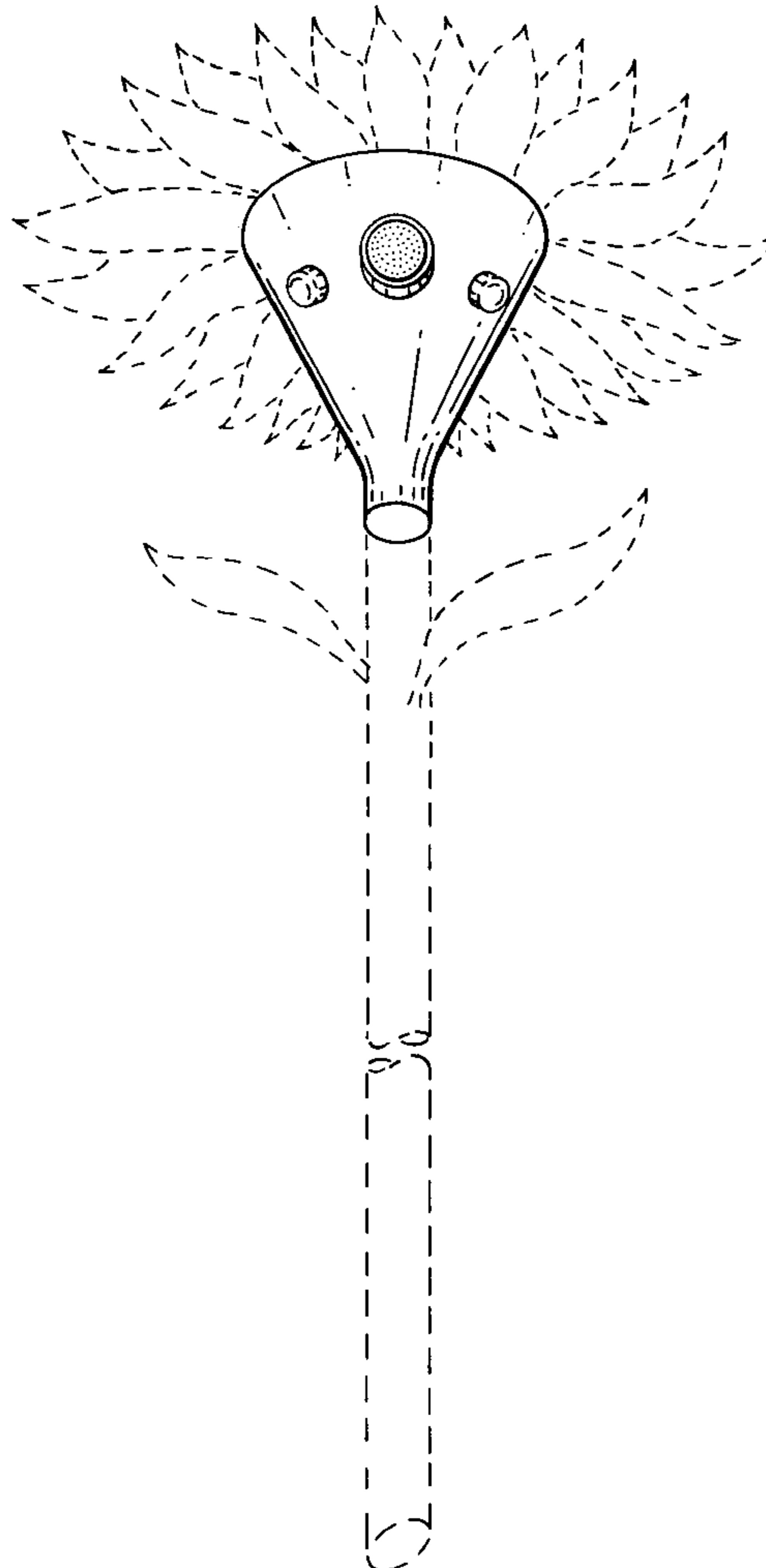


FIG. 1

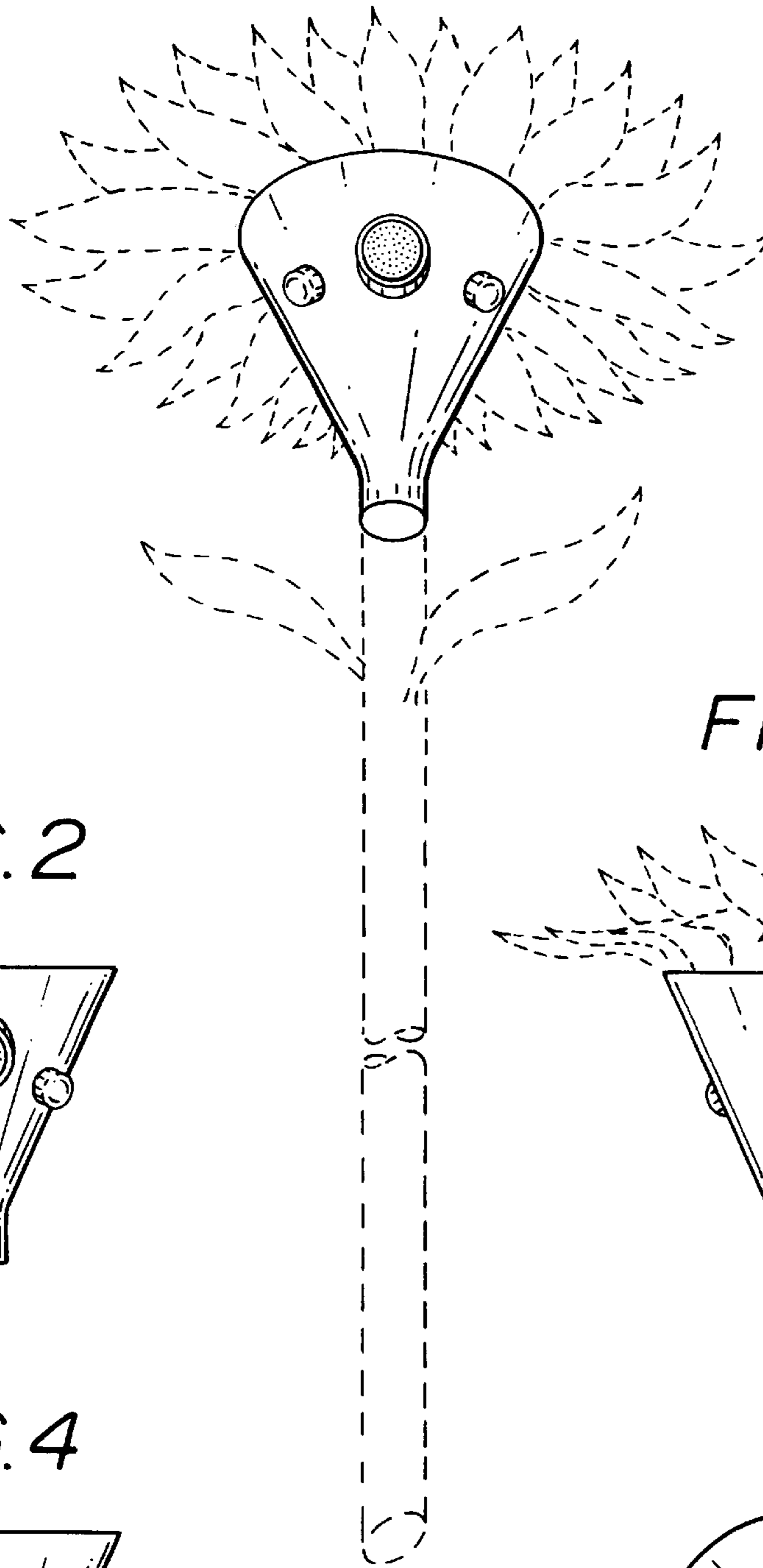


FIG. 2

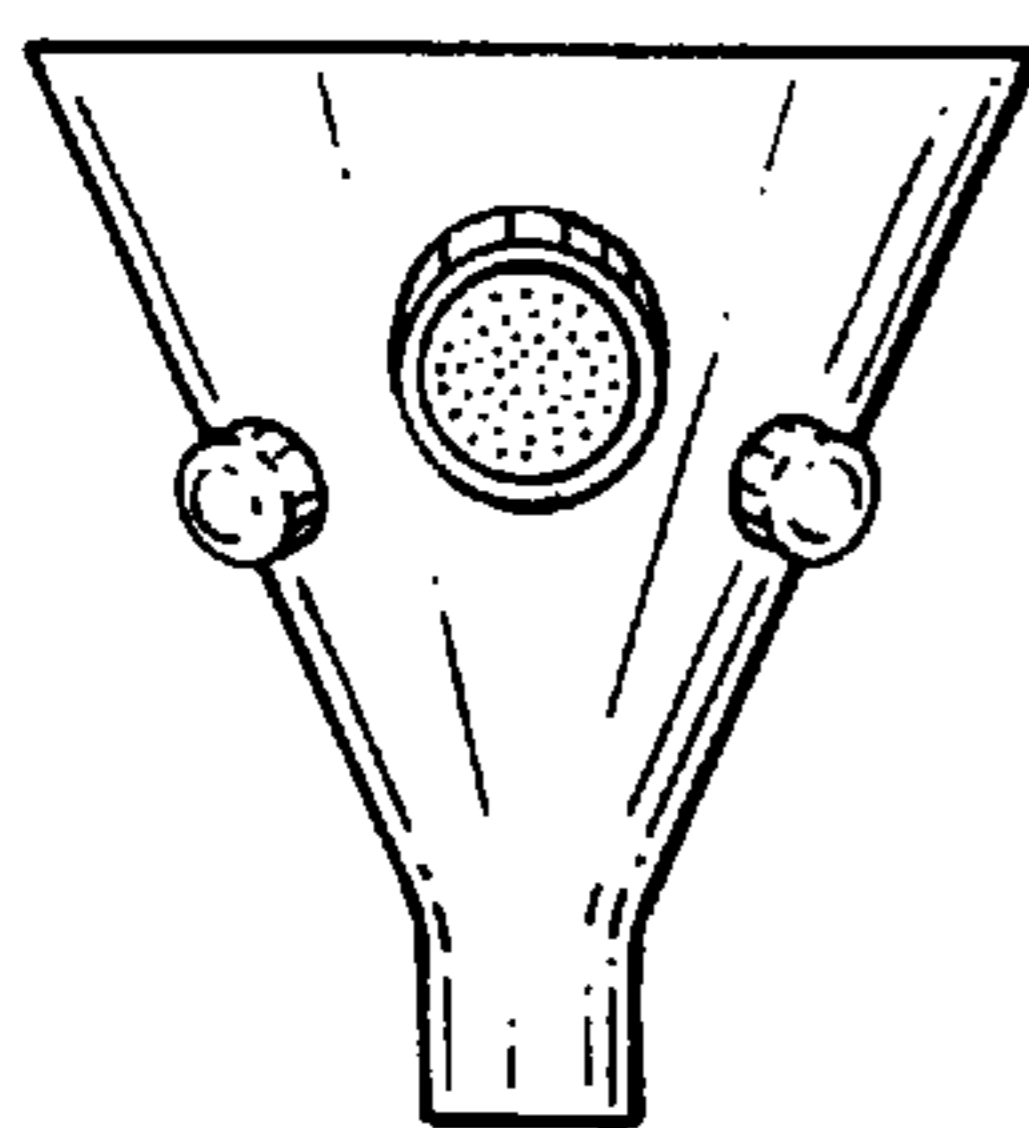


FIG. 3

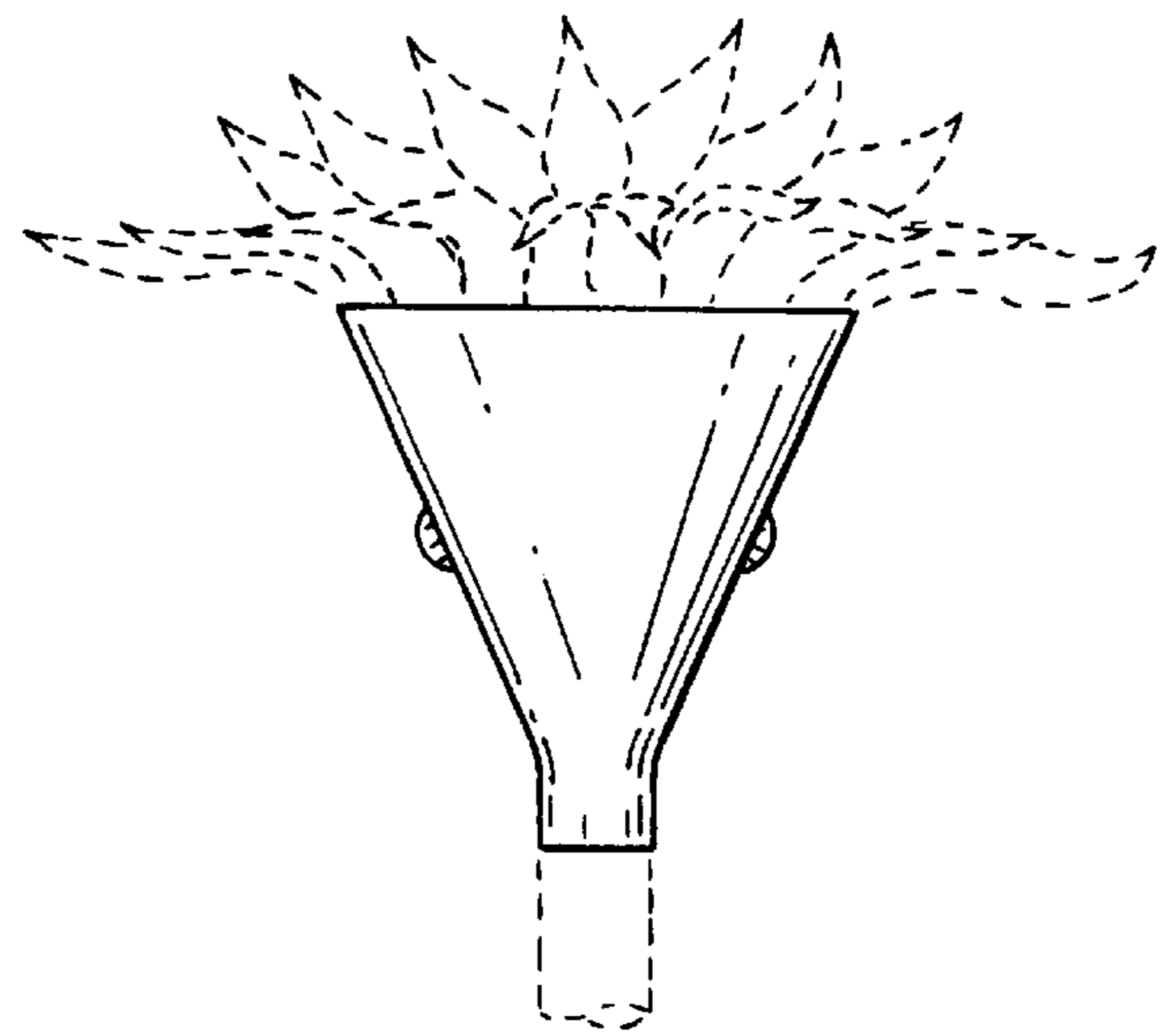


FIG. 4

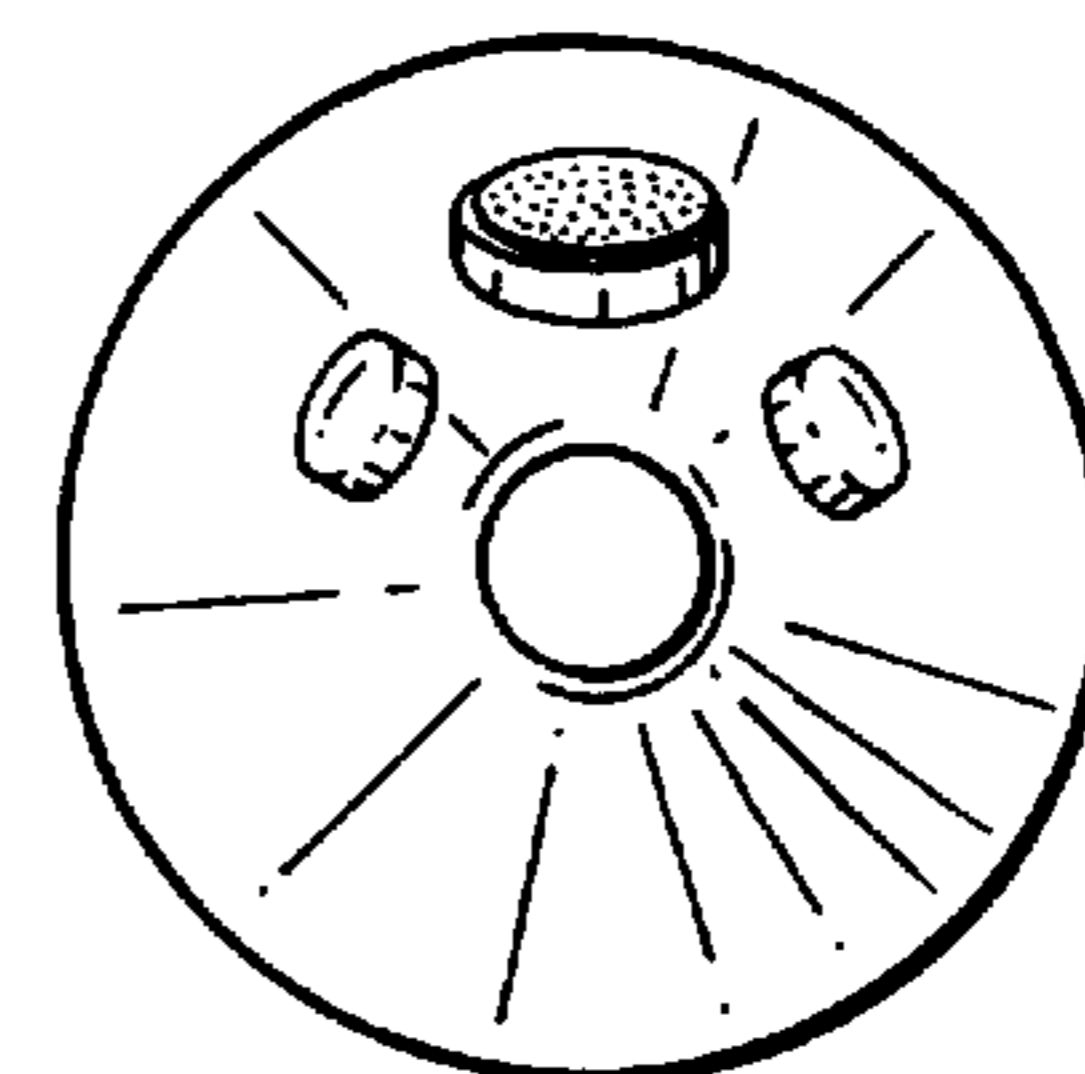
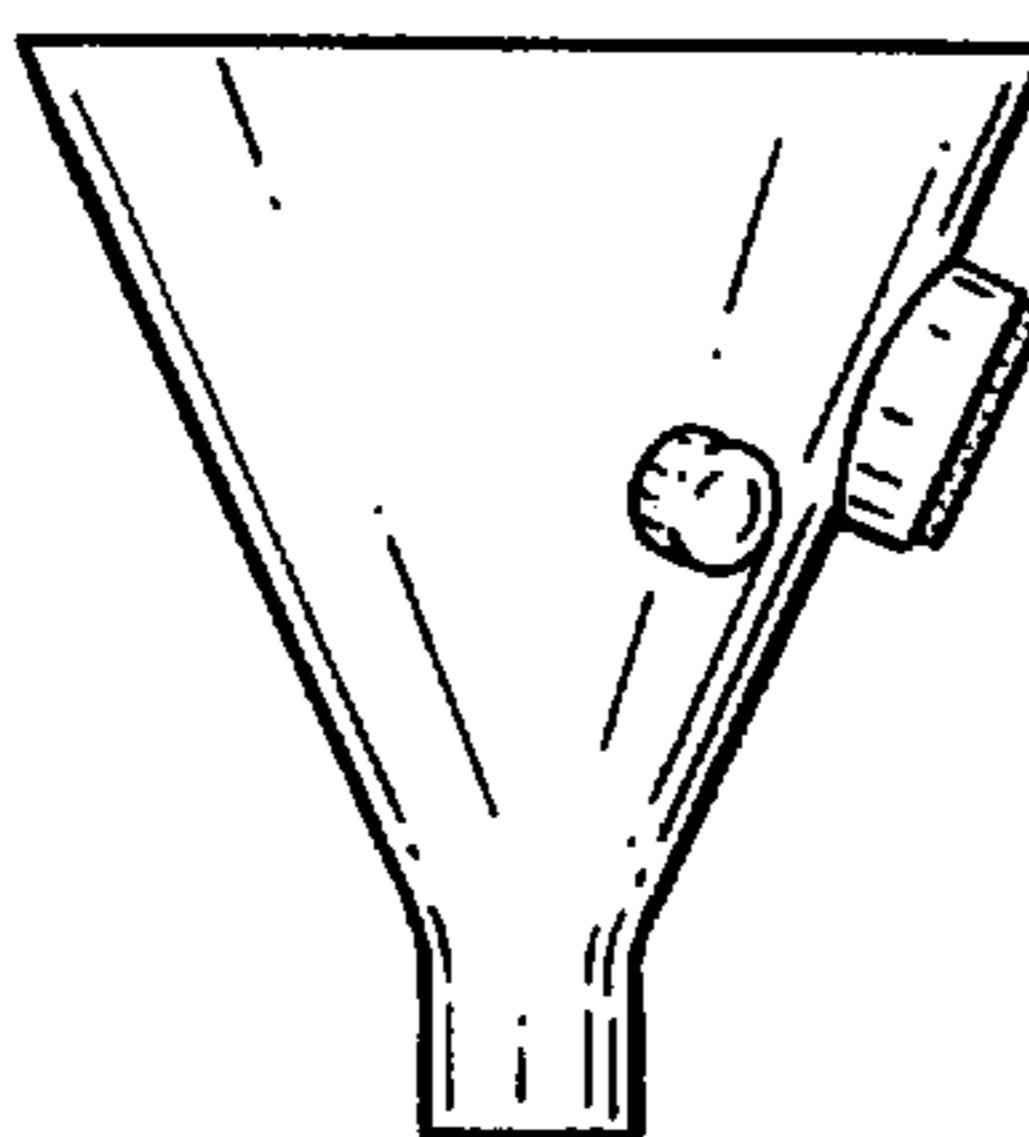


FIG. 5