



US00D449028B1

(12) **United States Design Patent**
Weidhase

(10) **Patent No.:** **US D449,028 S**

(45) **Date of Patent:** **** Oct. 9, 2001**

(54) **FRONT FACE OF A VEHICLE WHEEL**

(75) **Inventor:** **Ulf Weidhase, Garching (DE)**

(73) **Assignee:** **Bayerische Motoren Werke
Aktiengesellschaft, Munich (DE)**

(**) **Term:** **14 Years**

(21) **Appl. No.:** **29/120,852**

(22) **Filed:** **Mar. 28, 2000**

(30) **Foreign Application Priority Data**

Sep. 28, 1999 (DE) 499 09 281

(51) **LOC (7) Cl.** **12-16**

(52) **U.S. Cl.** **D12/209**

(58) **Field of Search** D12/204-211;
301/37.1, 64.1, 65

(56) **References Cited**

U.S. PATENT DOCUMENTS

- D. 361,547 * 8/1995 Weld D12/211
- D. 379,612 * 6/1997 Honrkah D12/209
- D. 380,432 * 7/1997 Hettler D12/209
- D. 384,025 * 9/1997 Roesianto D12/209
- D. 384,320 * 9/1997 Bhambra D12/209
- D. 391,543 * 3/1998 Renkert D12/209
- D. 396,681 * 8/1998 Boyer D12/209

- D. 398,573 * 9/1998 Cattaneo D12/211
- D. 407,364 * 3/1999 Fisker D12/209
- D. 407,680 * 4/1999 Bhambra D12/209
- D. 412,692 * 8/1999 Hussaini D12/209
- D. 413,851 * 9/1999 Donikoglu D12/209
- D. 414,738 * 10/1999 Escue D12/209
- D. 420,637 * 2/2000 Glade D12/209
- D. 421,417 * 3/2000 Weidhase D12/209
- D. 422,258 * 4/2000 Hale, Jr. D12/211
- D. 426,184 * 6/2000 Goplen D12/209
- D. 433,374 * 11/2000 Wang D12/209

* cited by examiner

Primary Examiner—Stacia Cadmus

(74) *Attorney, Agent, or Firm*—Crowell & Moring LLP

(57) **CLAIM**

The ornamental design for a front face of a vehicle wheel, as shown and described.

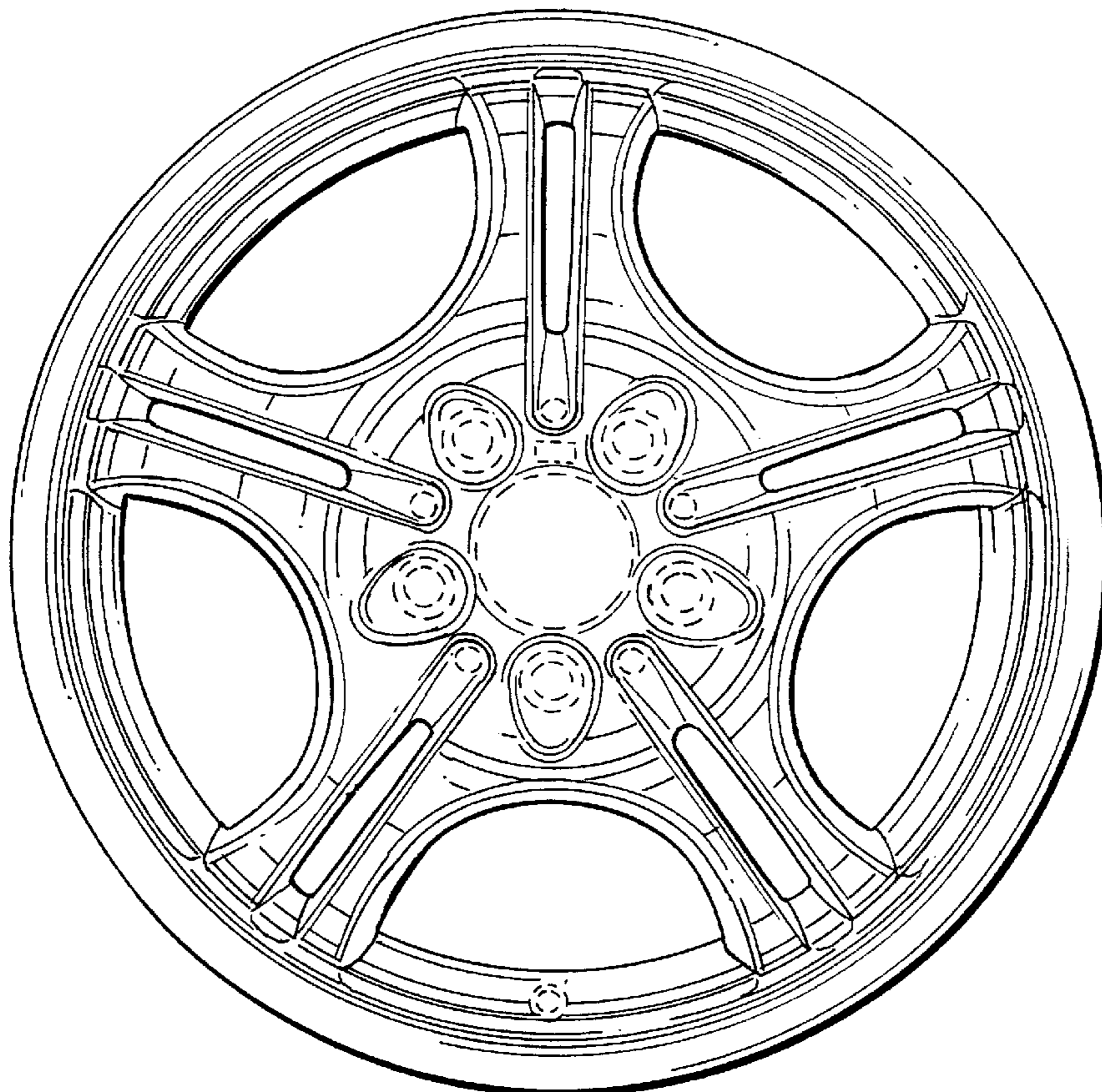
DESCRIPTION

FIG. 1 is a front view of a front face of a vehicle wheel according to my novel design; and,

FIG. 2 is a perspective view of the front face of a vehicle wheel according to my novel design.

The dash lines included depict environment and are not part of the claimed design.

1 Claim, 1 Drawing Sheet



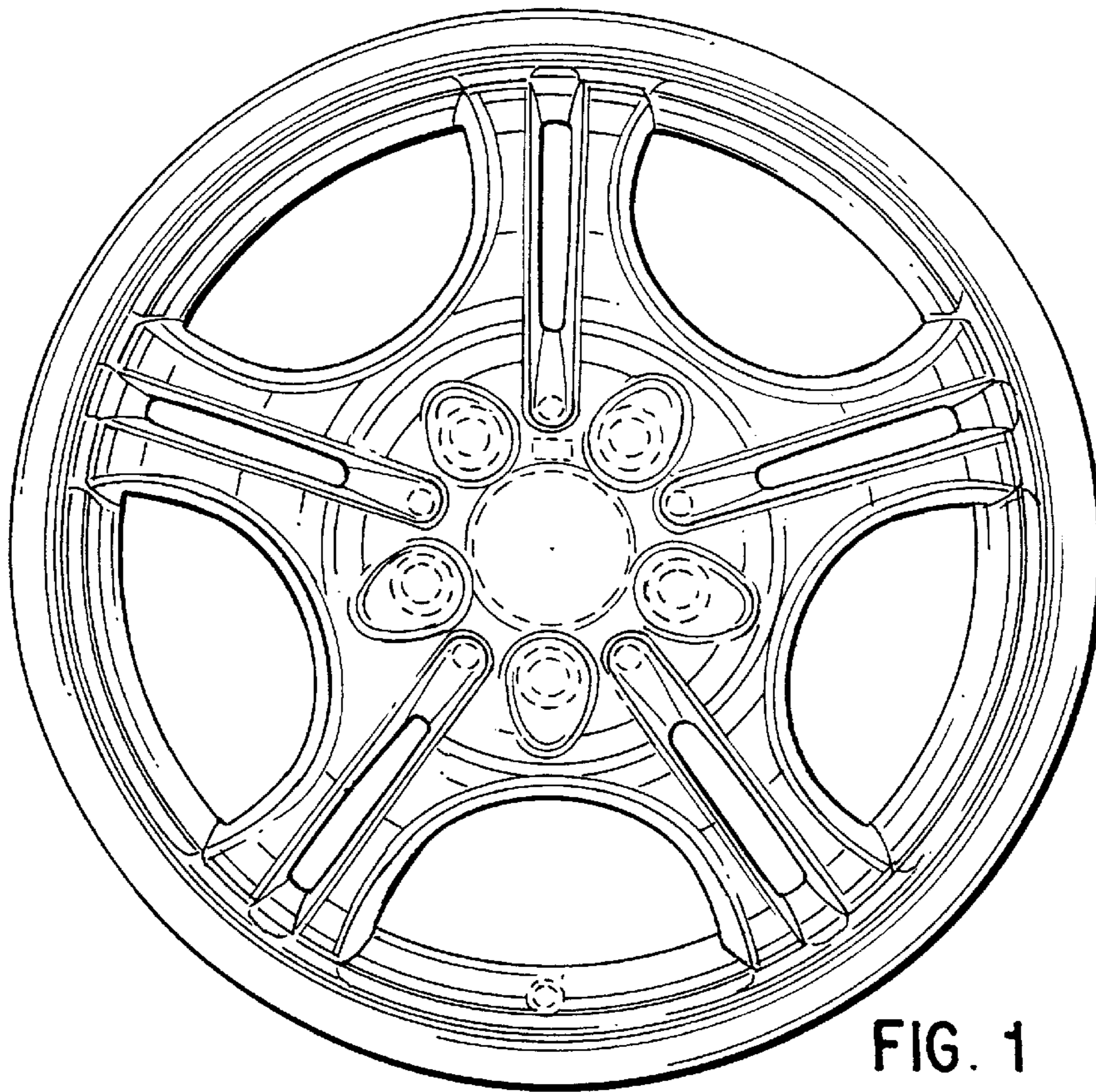


FIG. 1

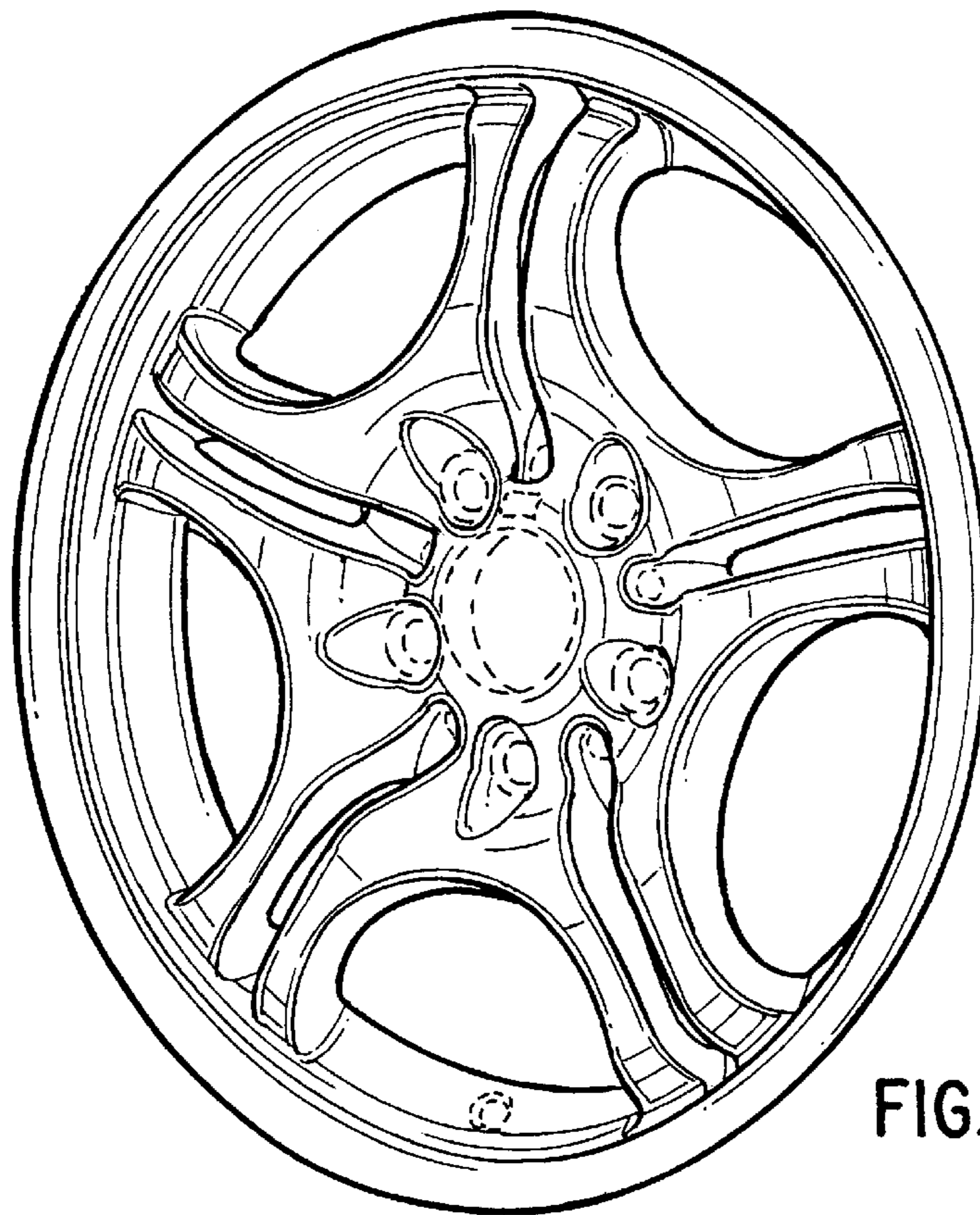


FIG. 2