



US00D449027B1

(12) **United States Design Patent**  
**Nakamuta**

(10) **Patent No.:** **US D449,027 S**

(45) **Date of Patent:** **\*\* Oct. 9, 2001**

(54) **FRONT PORTION OF A MOTOR VEHICLE**

D. 432,065 \* 10/2000 Kitamura ..... D12/196

(75) Inventor: **Yasushi Nakamuta, Aki-gun (JP)**

**FOREIGN PATENT DOCUMENTS**

(73) Assignee: **Mazda Motor Corporation,**  
**Hiroshima-ken (JP)**

1010074 5/1998 (JP) .

(\*\*) Term: **14 Years**

\* cited by examiner

(21) Appl. No.: **29/123,858**

*Primary Examiner*—Melody N. Brown  
(74) *Attorney, Agent, or Firm*—Nixon Peabody LLP;  
Donald R. Studebaker

(22) Filed: **May 26, 2000**

(57) **CLAIM**

(30) **Foreign Application Priority Data**

The ornamental design for a front portion of a motor vehicle,  
as shown and described.

Dec. 20, 1999 (JP) ..... 11-35303

(51) **LOC (7) Cl.** ..... **12-16**

(52) **U.S. Cl.** ..... **D12/196**

(58) **Field of Search** ..... D12/196, 163,  
D12/90-92, 169; 296/185

**DESCRIPTION**

(56) **References Cited**

**U.S. PATENT DOCUMENTS**

- D. 416,841 11/1999 Akana .
- D. 417,425 12/1999 Shimazu .
- D. 422,546 \* 4/2000 Toyota ..... D12/196
- D. 430,837 \* 10/2000 Kitamura et al. .... D12/196
- D. 431,505 \* 10/2000 Kitamura et al. .... D12/196

FIG. 1 is a perspective view of front portion of a motor vehicle;  
FIG. 2 is a front view thereof;  
FIG. 3 is a rear view thereof;  
FIG. 4 is a right side view thereof;  
FIG. 5 is a left side view thereof; and,  
FIG. 6 is a top view thereof.

The portion shown in broken lines is for illustrative purpose only and forms no part of the claimed design.

**1 Claim, 5 Drawing Sheets**

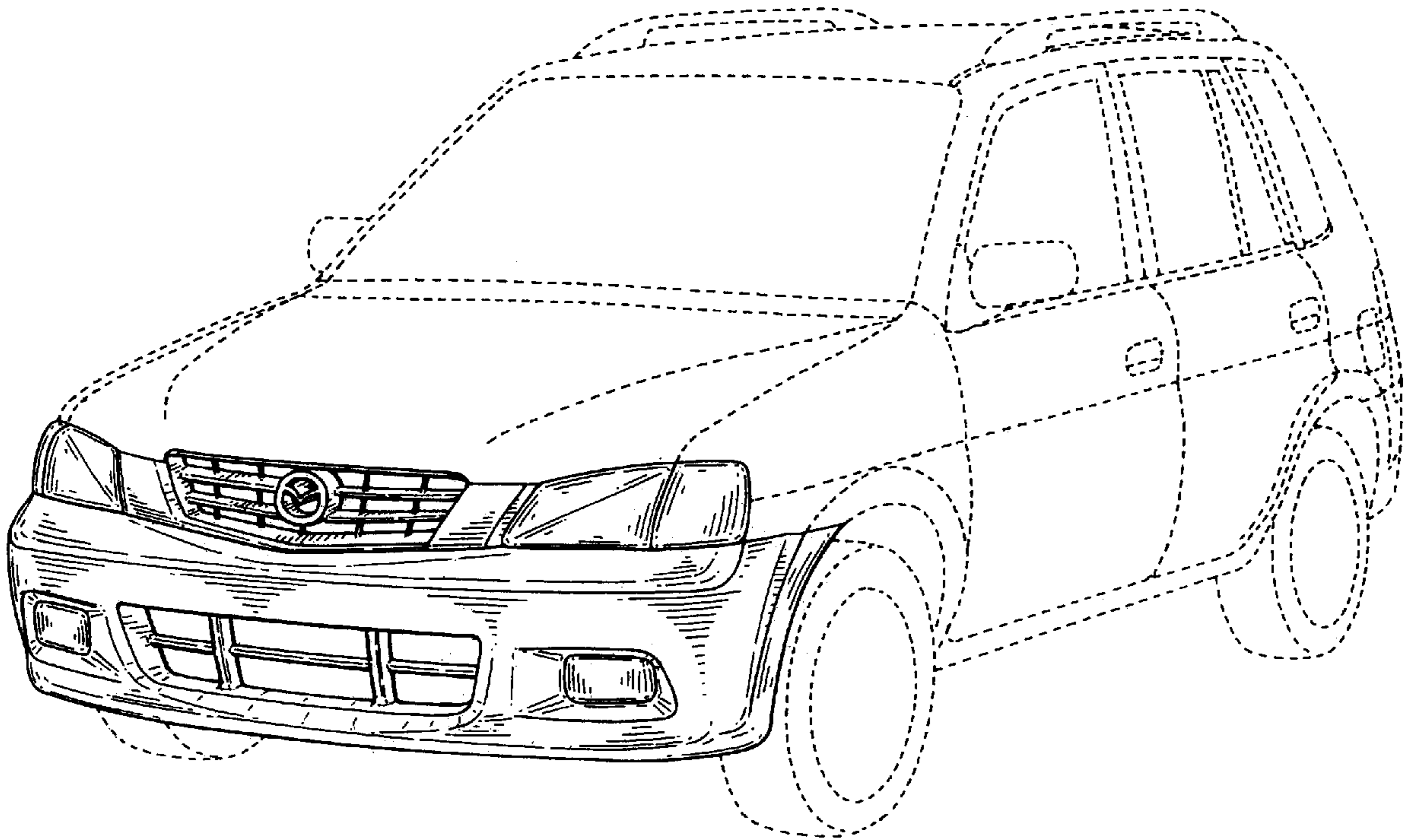


FIG. 1

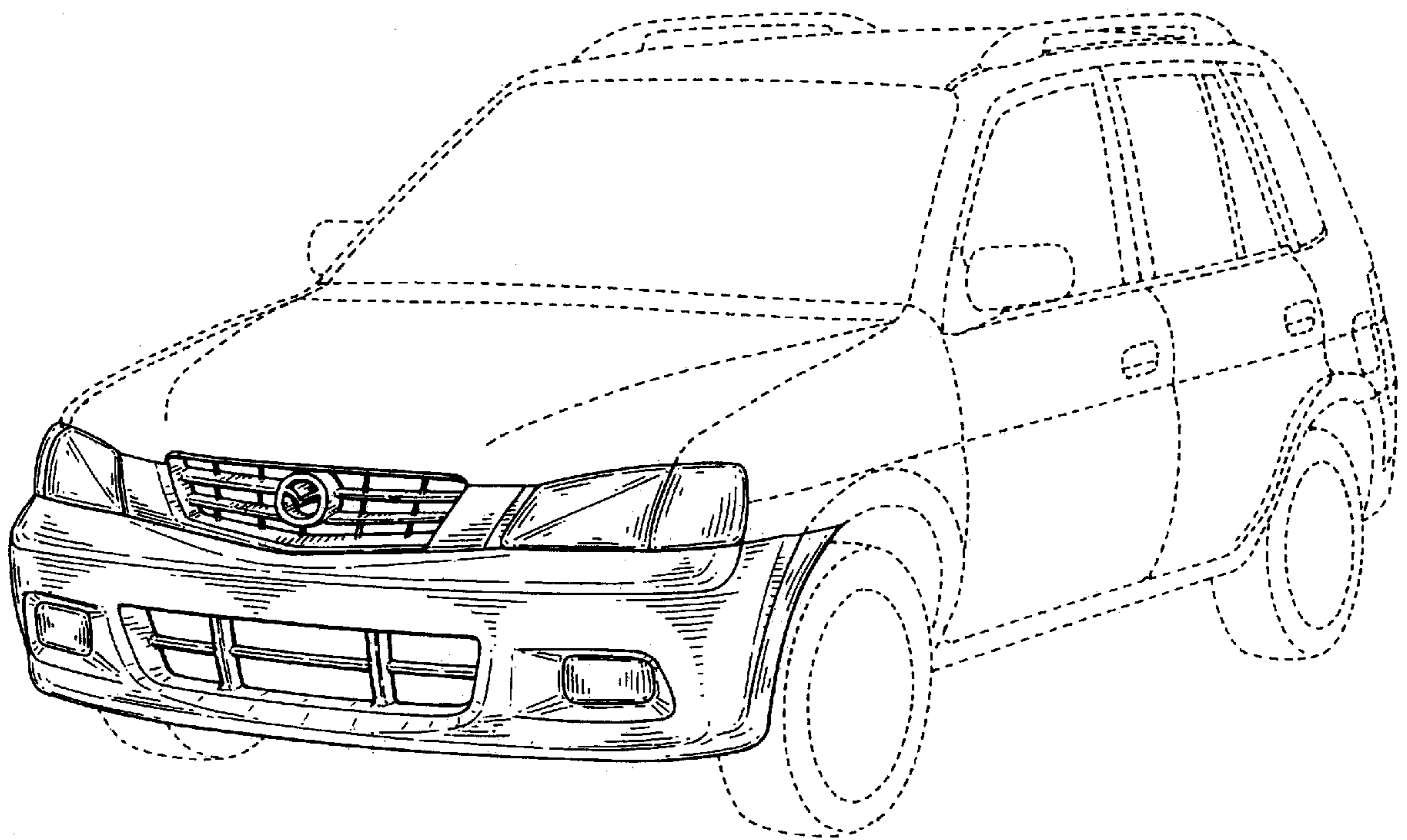


FIG. 2

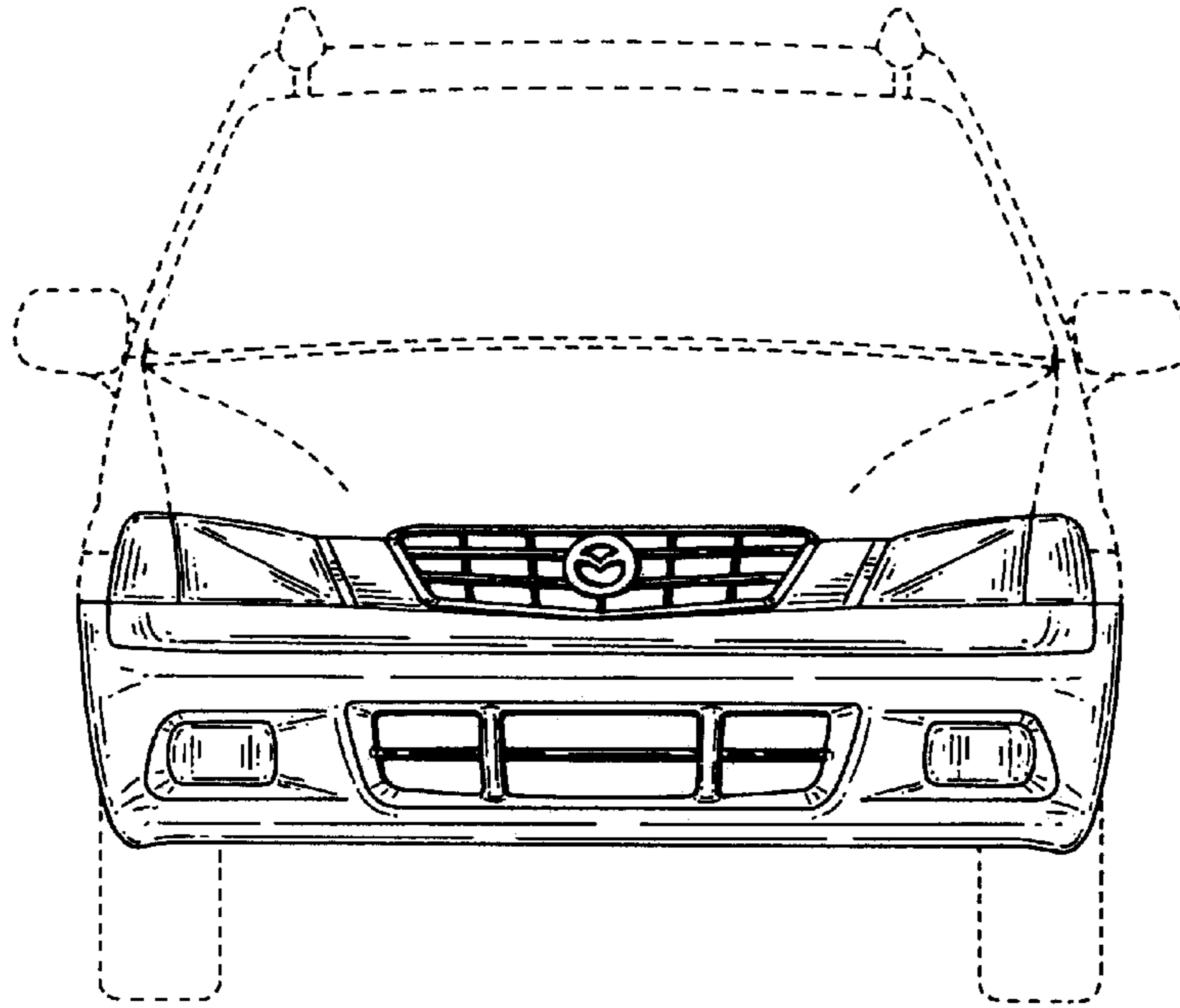


FIG. 3

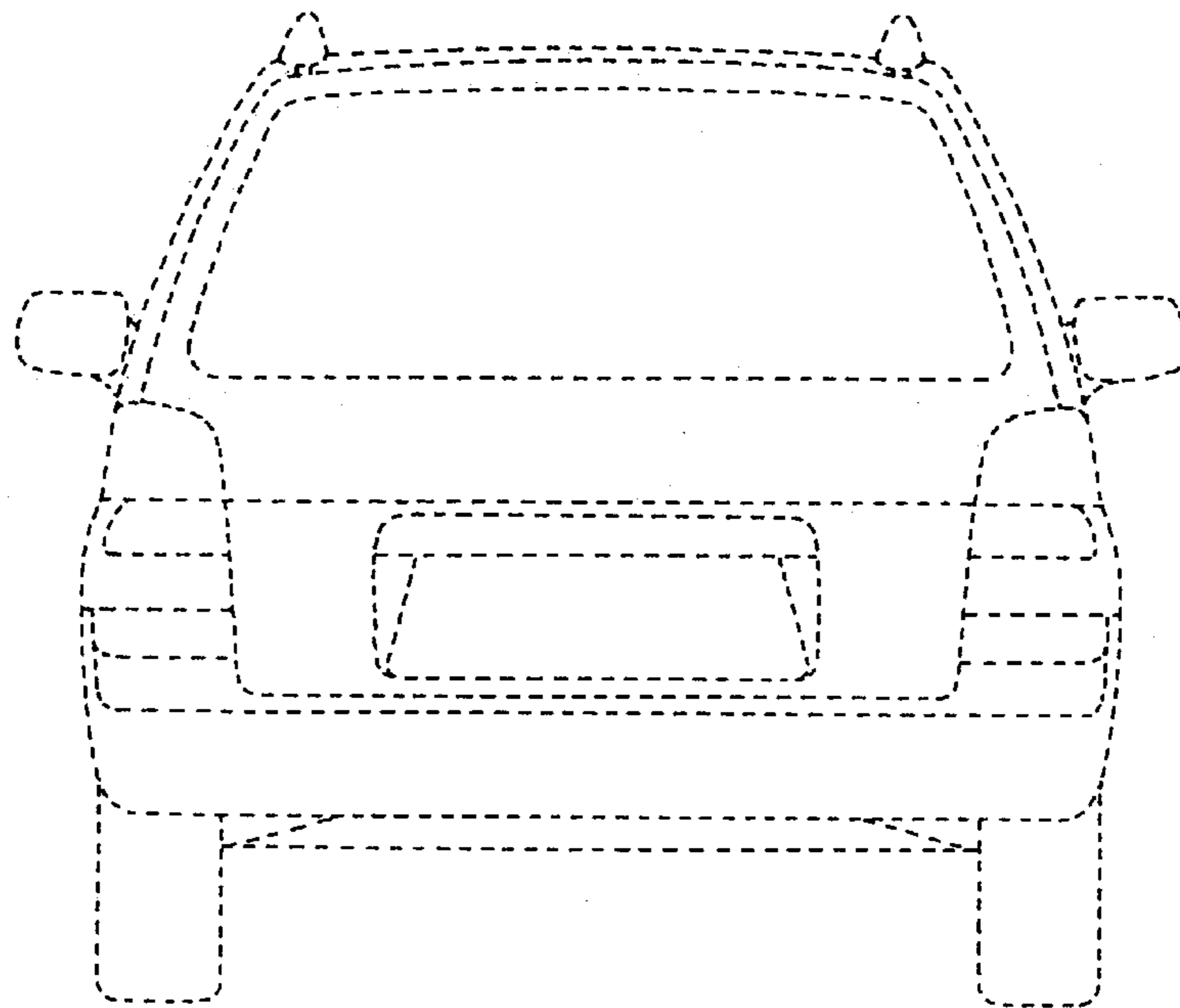


FIG. 4

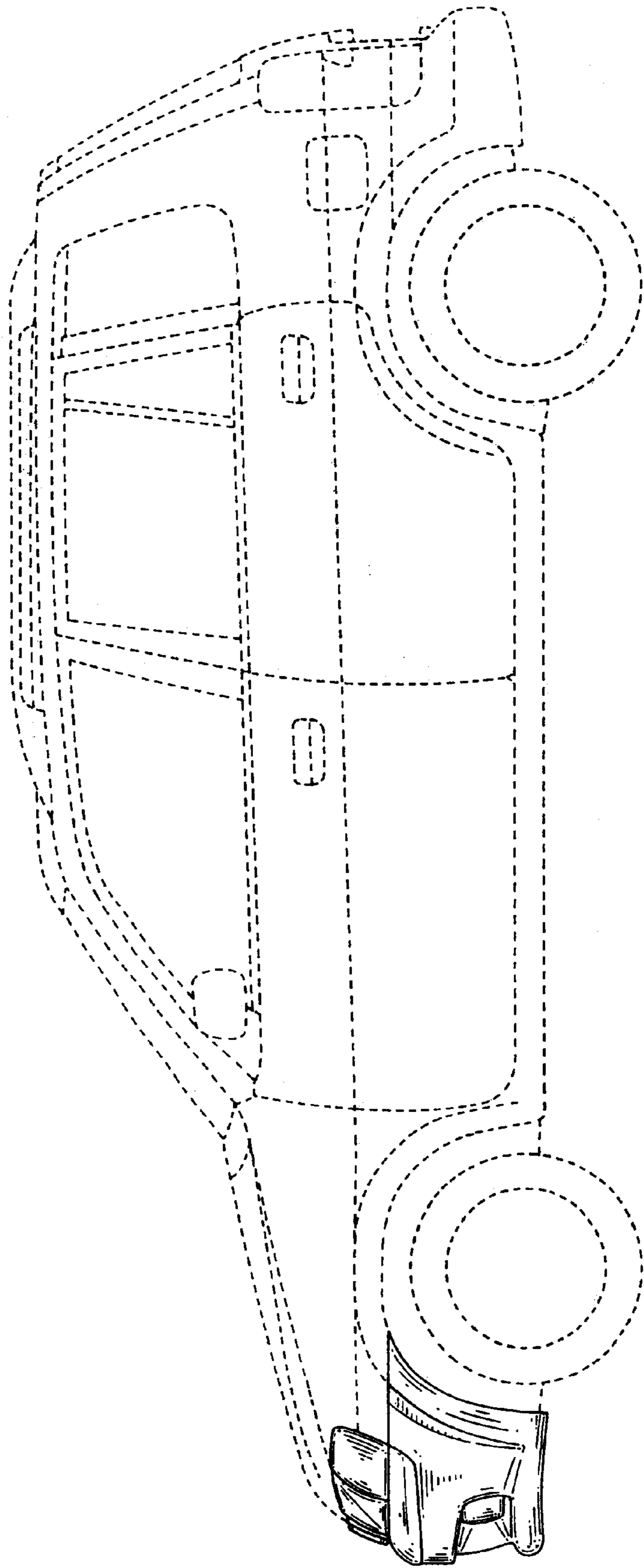


FIG. 5

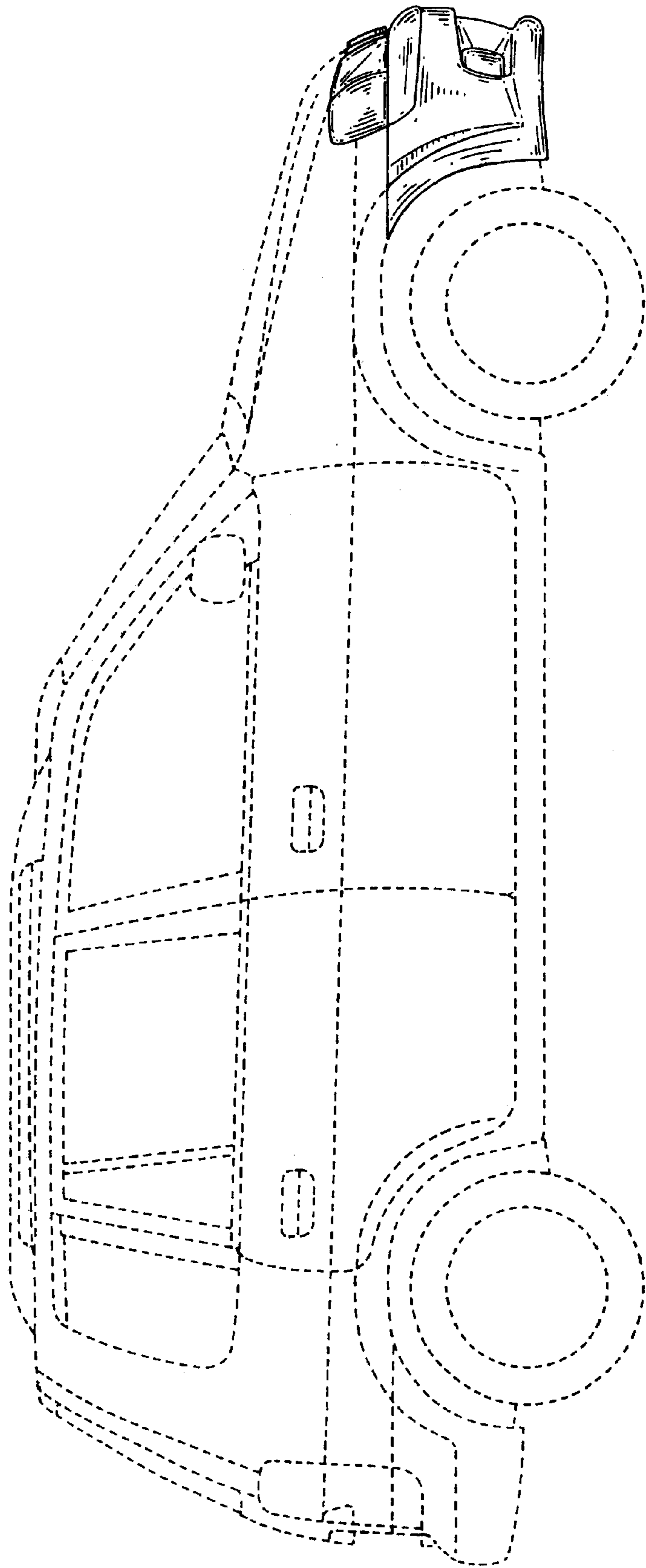




FIG. 6

