



US00D449023B1

(12) **United States Design Patent**
Toyozawa

(10) **Patent No.:** **US D449,023 S**

(45) **Date of Patent:** **** Oct. 9, 2001**

(54) **TIRE FOR MOTORCYCLE**

(75) Inventor: **Yumiko Toyozawa, Kobe (JP)**

(73) Assignee: **Sumitomo Rubber Industries, Ltd.,
Kobe (JP)**

(**) Term: **14 Years**

(21) Appl. No.: **29/123,347**

(22) Filed: **May 15, 2000**

(30) **Foreign Application Priority Data**

Nov. 25, 1999 (JP) 11-32705

(51) **LOC (7) Cl.** **12-15**

(52) **U.S. Cl.** **D12/147**

(58) **Field of Search** D12/134-152;
152/209.1, 209.3, 209.9, 209.11, 209.13,
209.16, 209.28

(56) **References Cited**

U.S. PATENT DOCUMENTS

- D. 293,228 * 12/1987 Sakaki D12/145
- D. 296,201 * 6/1988 Haas D12/147
- D. 337,084 * 7/1993 Suzuki D12/151
- D. 381,298 * 7/1997 Haas D12/143
- D. 381,303 * 7/1997 Jackson D12/151
- D. 390,815 * 2/1998 Ishikawa D12/136
- D. 403,623 * 1/1999 Haas et al. D12/136
- D. 404,695 * 1/1999 Haas et al. D12/151

FOREIGN PATENT DOCUMENTS

- M 94 07 110 * 10/1995 (DE) .
- 937424 10/1995 (JP) .
- 1011885 6/1998 (JP) .

OTHER PUBLICATIONS

Dunlop K510 Sport Radial Tire, 1998 Tread Design Guide, Feb. 1998. p. 214. 4/2.*

Michelin TX15 Hi-Sport (Front) Street Tire, 1998 Tread Design Guide, Feb. 1998. p. 221. 3/5.*

Bridgestone BT50 Radial (Rear) Street Tire, 1999 Tread Design Guide, Jan. 1999, p. 207. 2/2.*

Dunlop D207GP (Rear) Street Tire, 1999 Tread Design Guide, Jan. 1999. p. 213. 2/2.*

Dunlop D202 Sport Radial (Front) Street Tire, 1999 Tread Design Guide, Jan. 1999. p. 213. 3/5.*

Michelin MacAdam 90X (front) Sport Touring Radial Tire, 1999 Tread Design Guide, Jan. 1999. p. 221. 1/3.*

* cited by examiner

Primary Examiner—Robert M. Spear

(74) *Attorney, Agent, or Firm*—Pillsbury Winthrop LLP

(57) **CLAIM**

The ornamental design for a tire for motorcycle, as shown and described.

DESCRIPTION

FIG. 1 is a front view of a tire for motorcycle showing my new design;

FIG. 2 is a top plan view thereof;

FIG. 3 is a rear view thereof;

FIG. 4 is a perspective view thereof;

FIG. 5 is a left side view thereof;

FIG. 6 is a right side view thereof;

FIG. 7 is an enlarged front view thereof;

FIG. 8 is an end face view taken along line 8—8 of FIG. 7 thereof;

FIG. 9 is an end face view taken along line 9—9 of FIG. 7 thereof; and,

FIG. 10 is a referential enlarged front view thereof showing a part of grooves with black color.

1 Claim, 5 Drawing Sheets

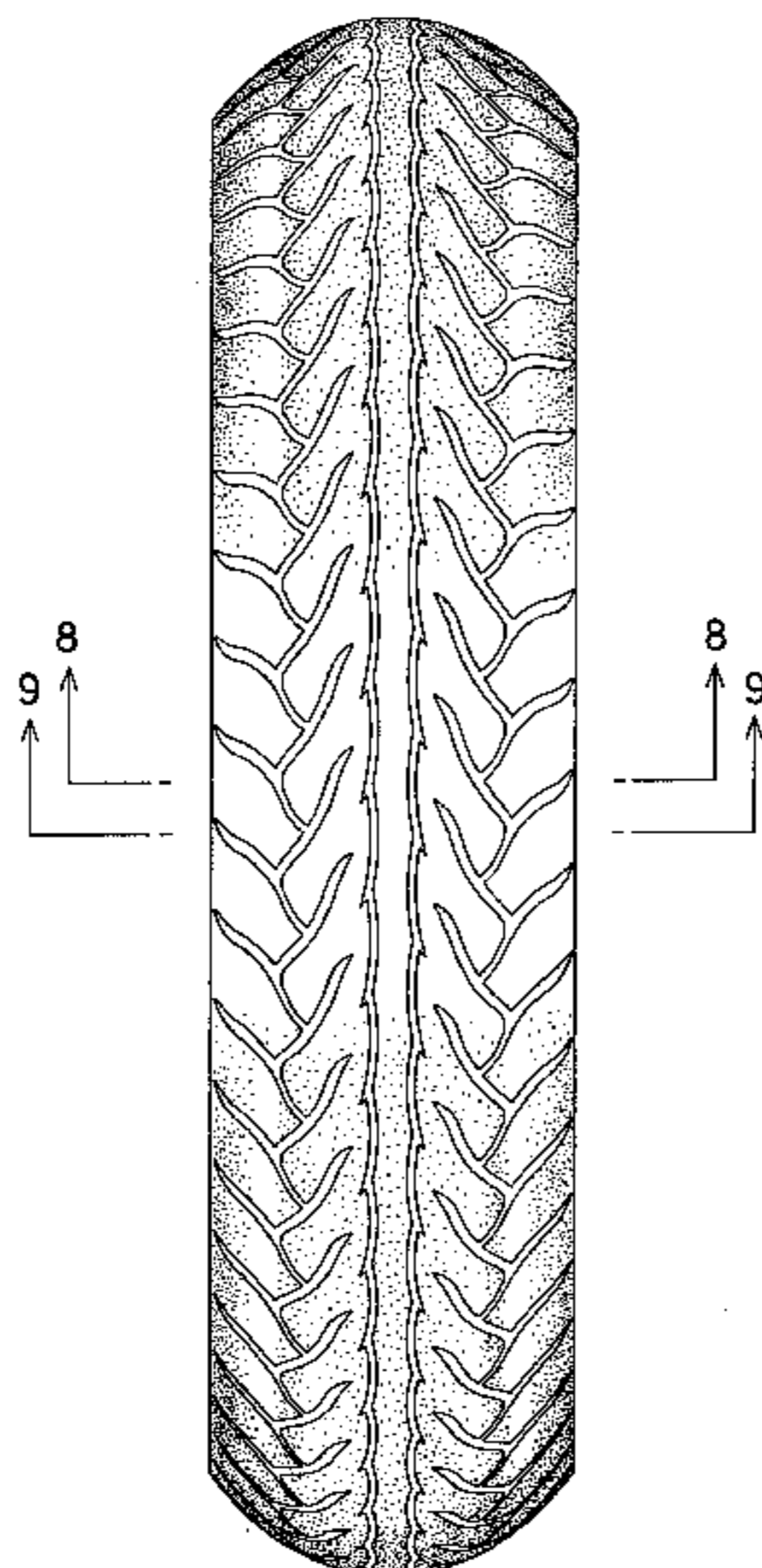


Fig. 1

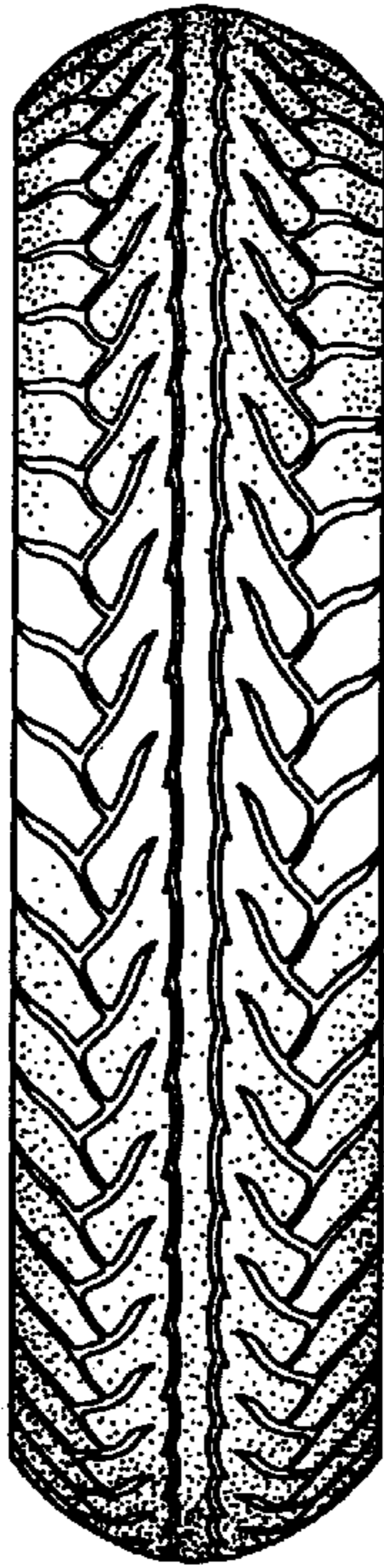


Fig. 2

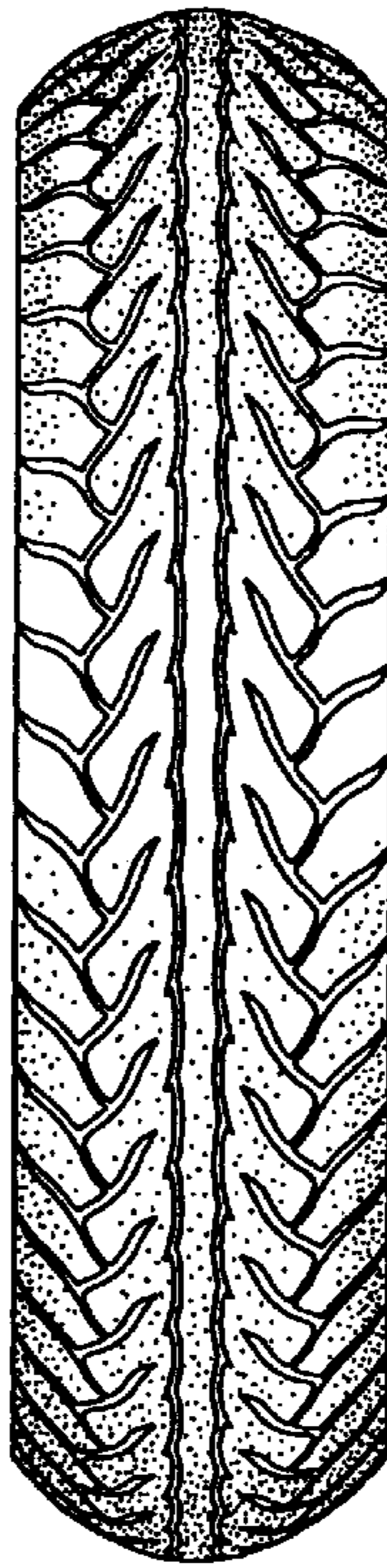


Fig. 3

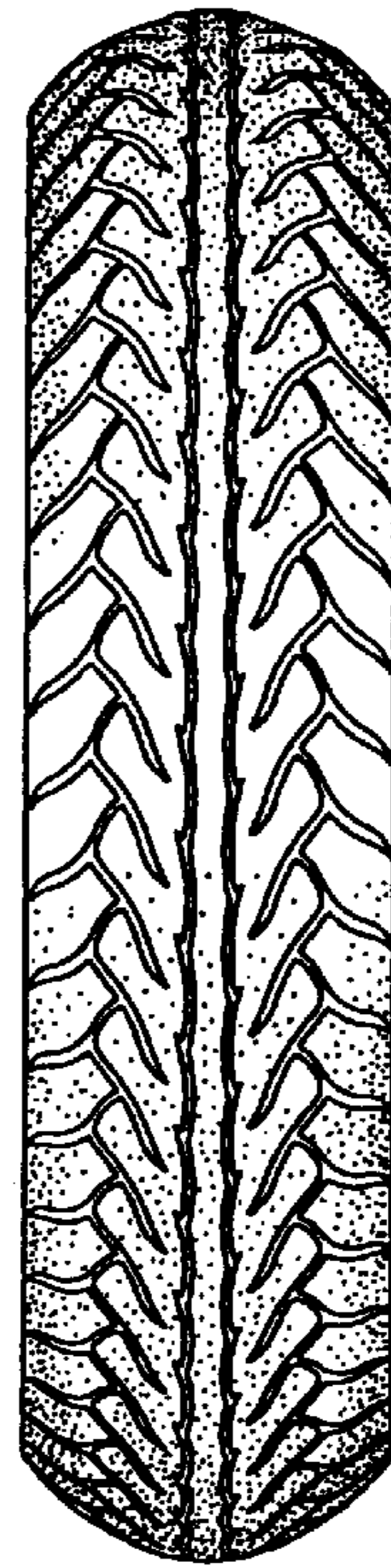


Fig. 4

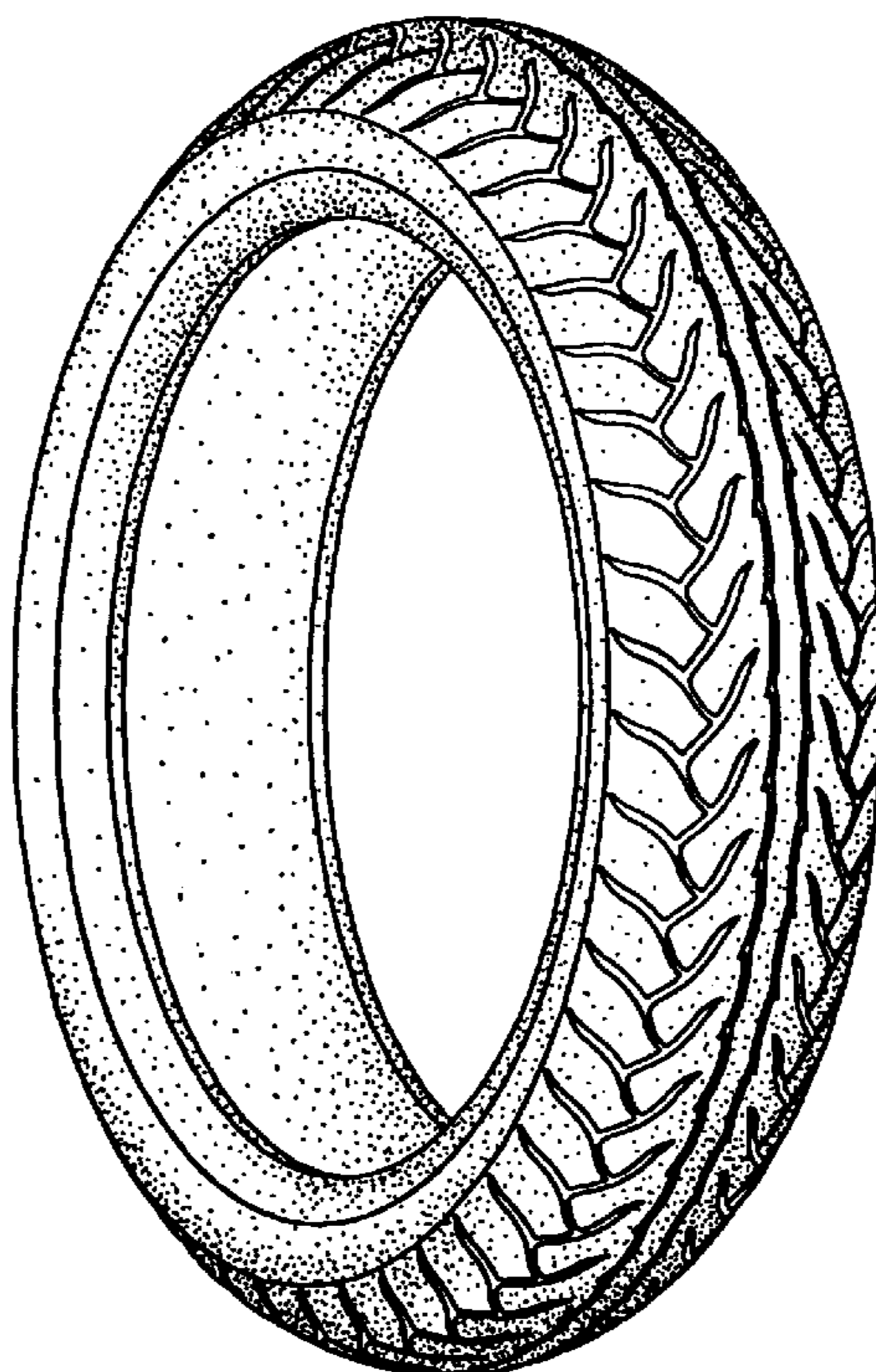


Fig. 5

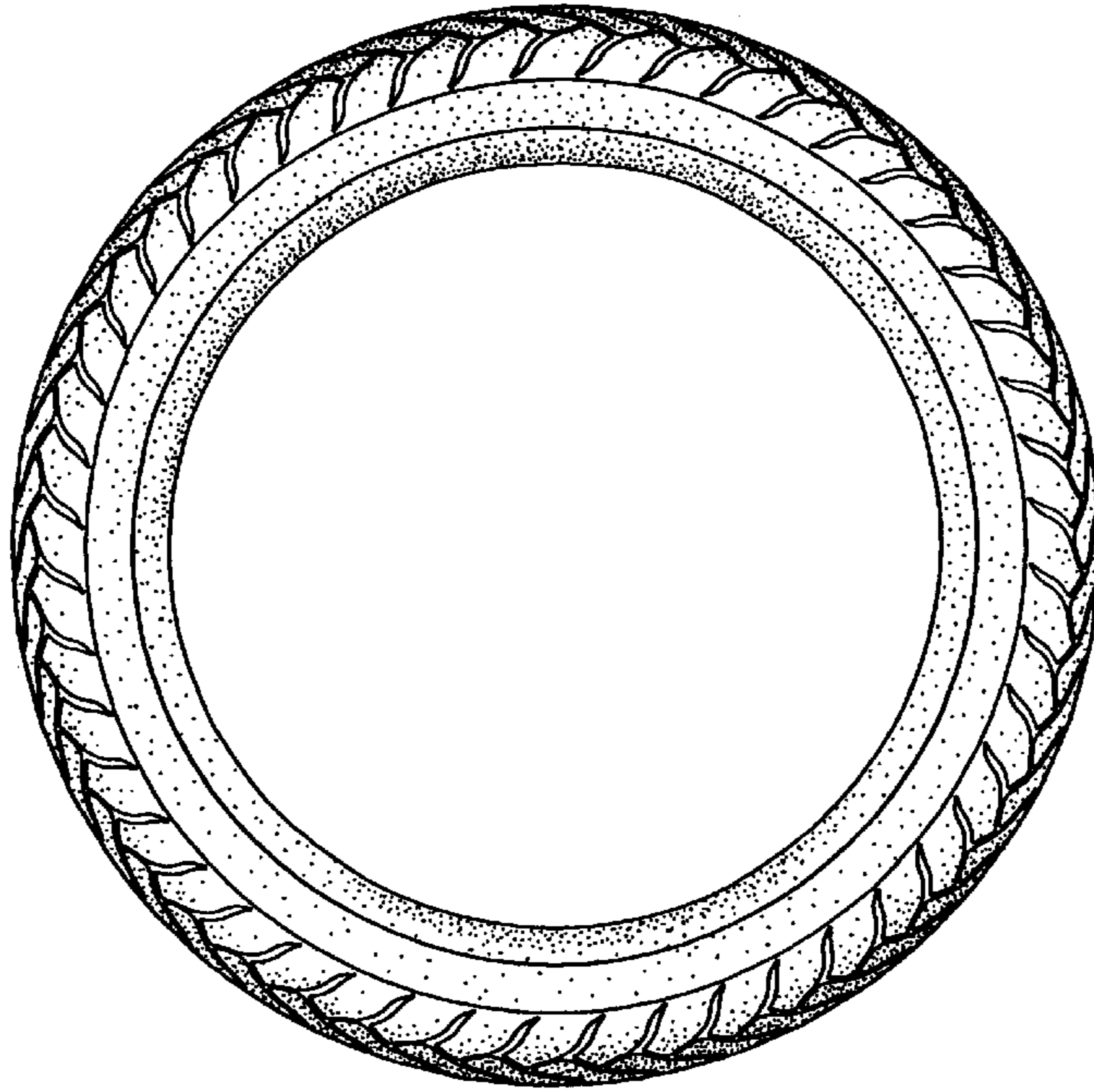


Fig. 6

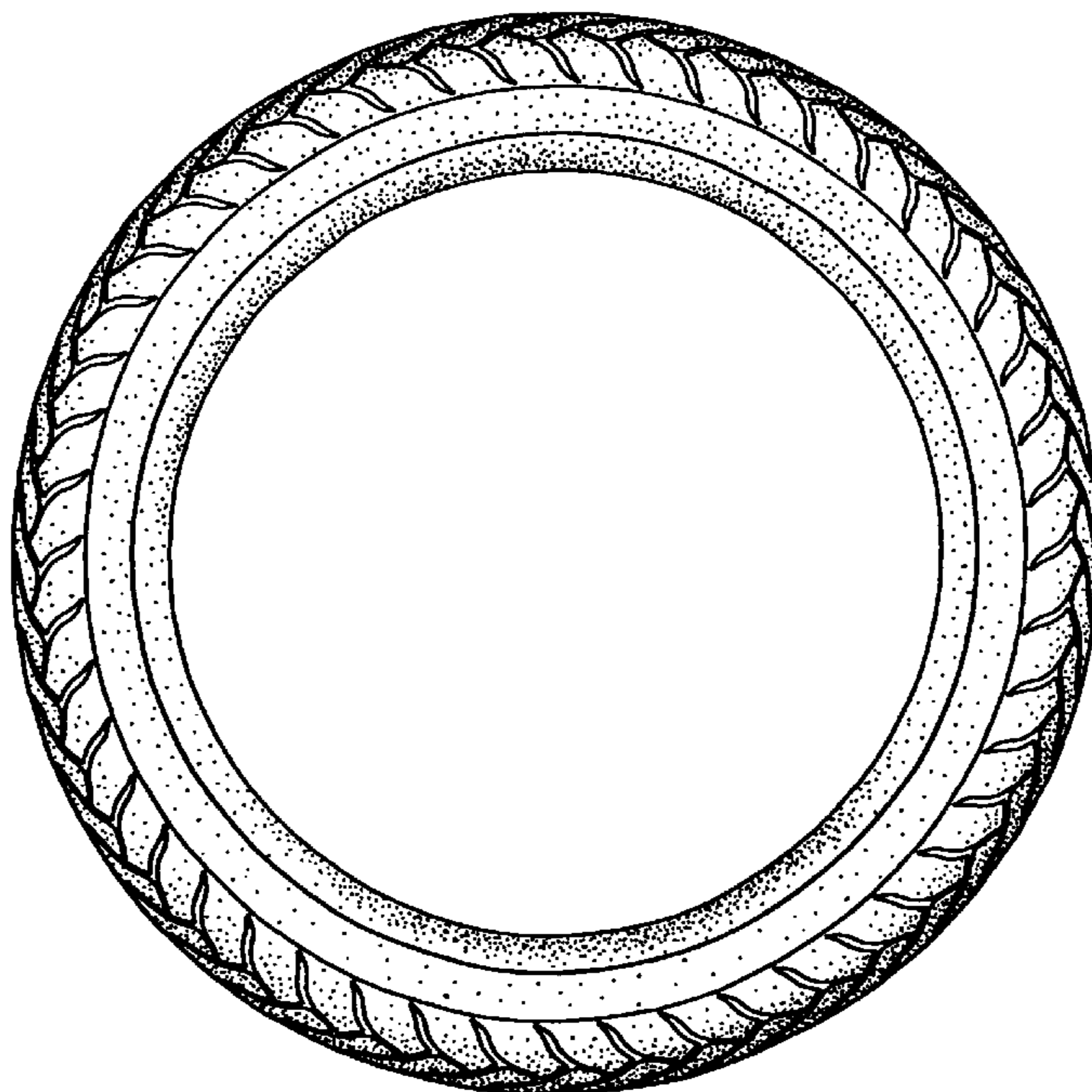


Fig. 7

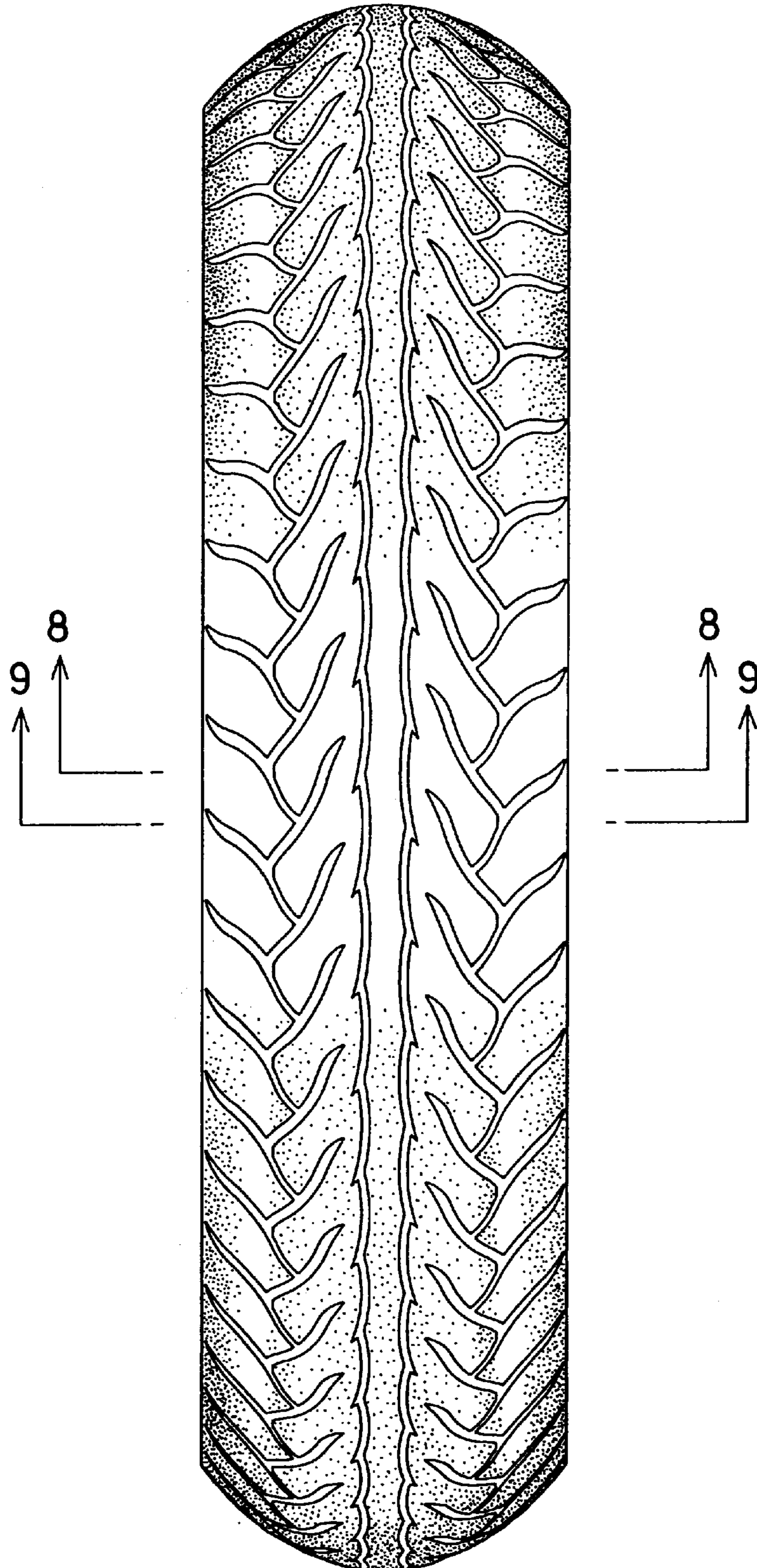


Fig. 8

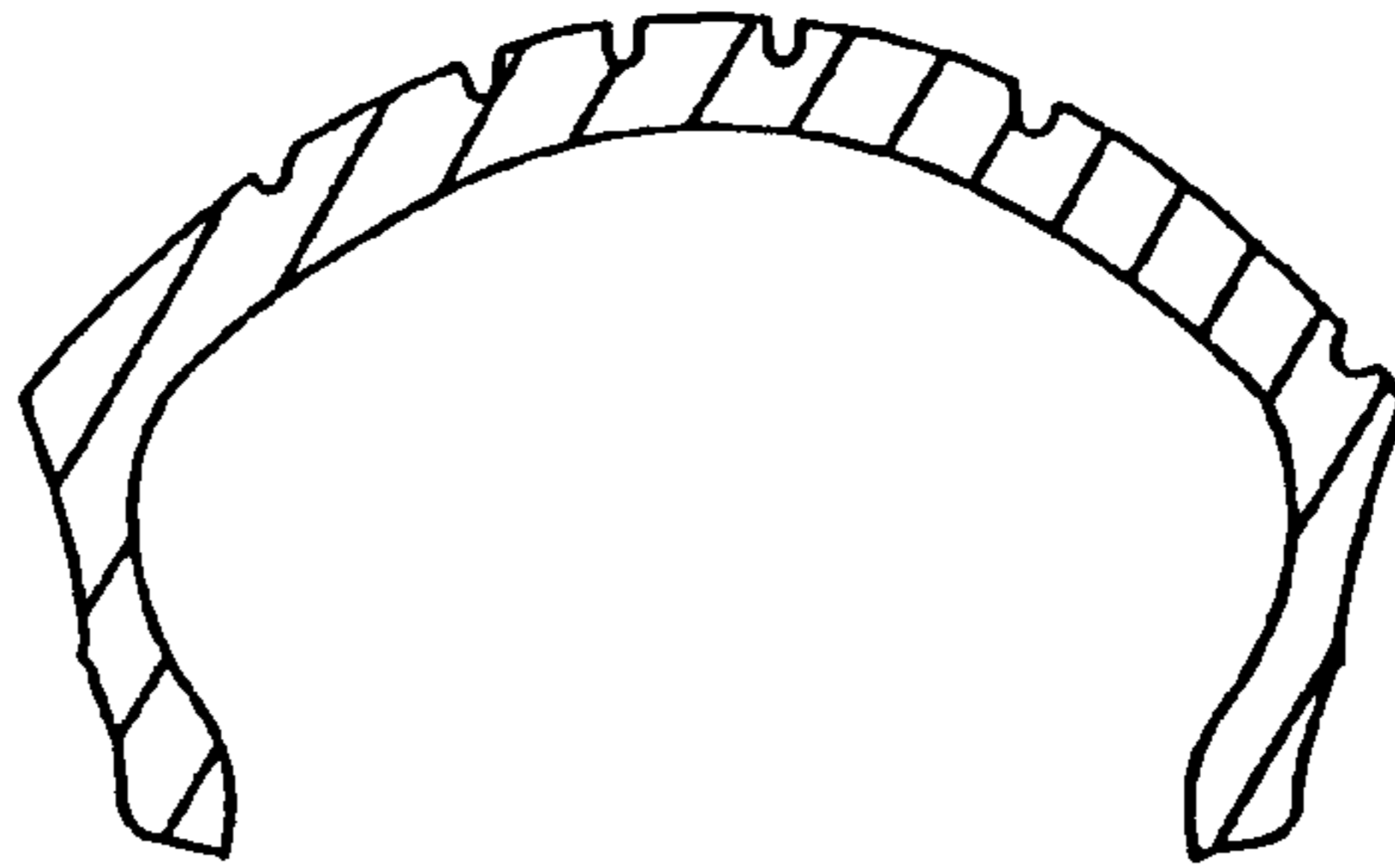


Fig. 9

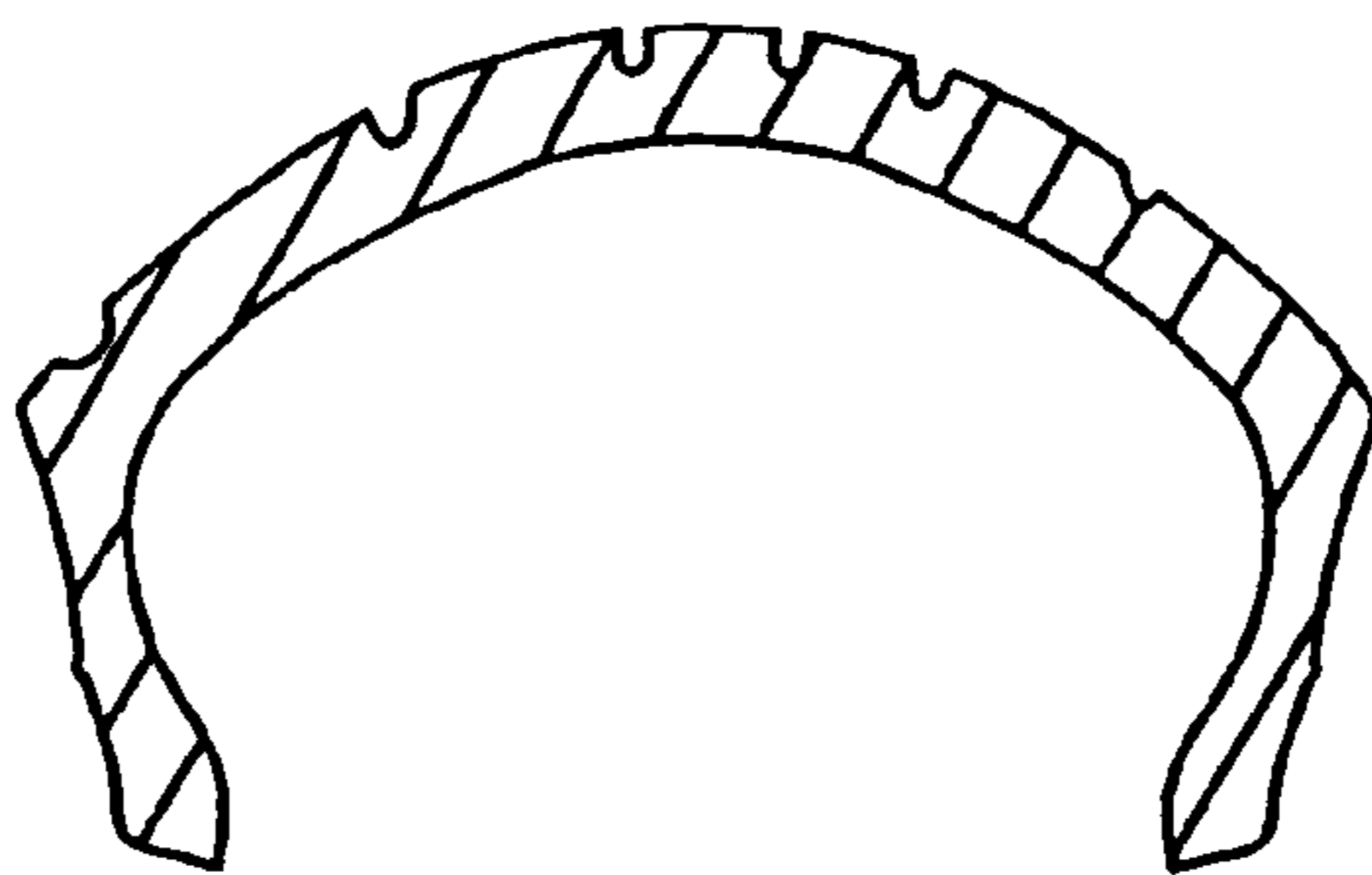


Fig. 10

