



US00D449020B1

(12) **United States Design Patent**
Yang

(10) **Patent No.:** **US D449,020 S**

(45) **Date of Patent:** **** Oct. 9, 2001**

(54) **MINI-BICYCLE**

(75) **Inventor:** **Ming-Chang Yang**, Chang-Hua Hsien (TW)

(73) **Assignee:** **Chia Da Bicycle Co., Ltd.**, Chang-Hua Hsien (TW)

(**) **Term:** **14 Years**

(21) **Appl. No.:** **29/134,153**

(22) **Filed:** **Dec. 15, 2000**

(51) **LOC (7) Cl.** **12-11**

(52) **U.S. Cl.** **D12/111**

(58) **Field of Search** D12/111; 180/274, 180/281.1, 288.2, 288.3; D21/432

(56) **References Cited**

U.S. PATENT DOCUMENTS

D. 317,142 * 5/1991 Smith D12/111

* cited by examiner

Primary Examiner—Alan P. Douglas

Assistant Examiner—Linda Brooks

(74) *Attorney, Agent, or Firm*—Harrison & Egbert

(57) **CLAIM**

I claim the ornamental design for a mini-bicycle, as shown and described.

DESCRIPTION

FIG. 1 is an upper perspective view of the mini-bicycle showing my design.

FIG. 2 is a front view thereof;

FIG. 3 is a back view thereof;

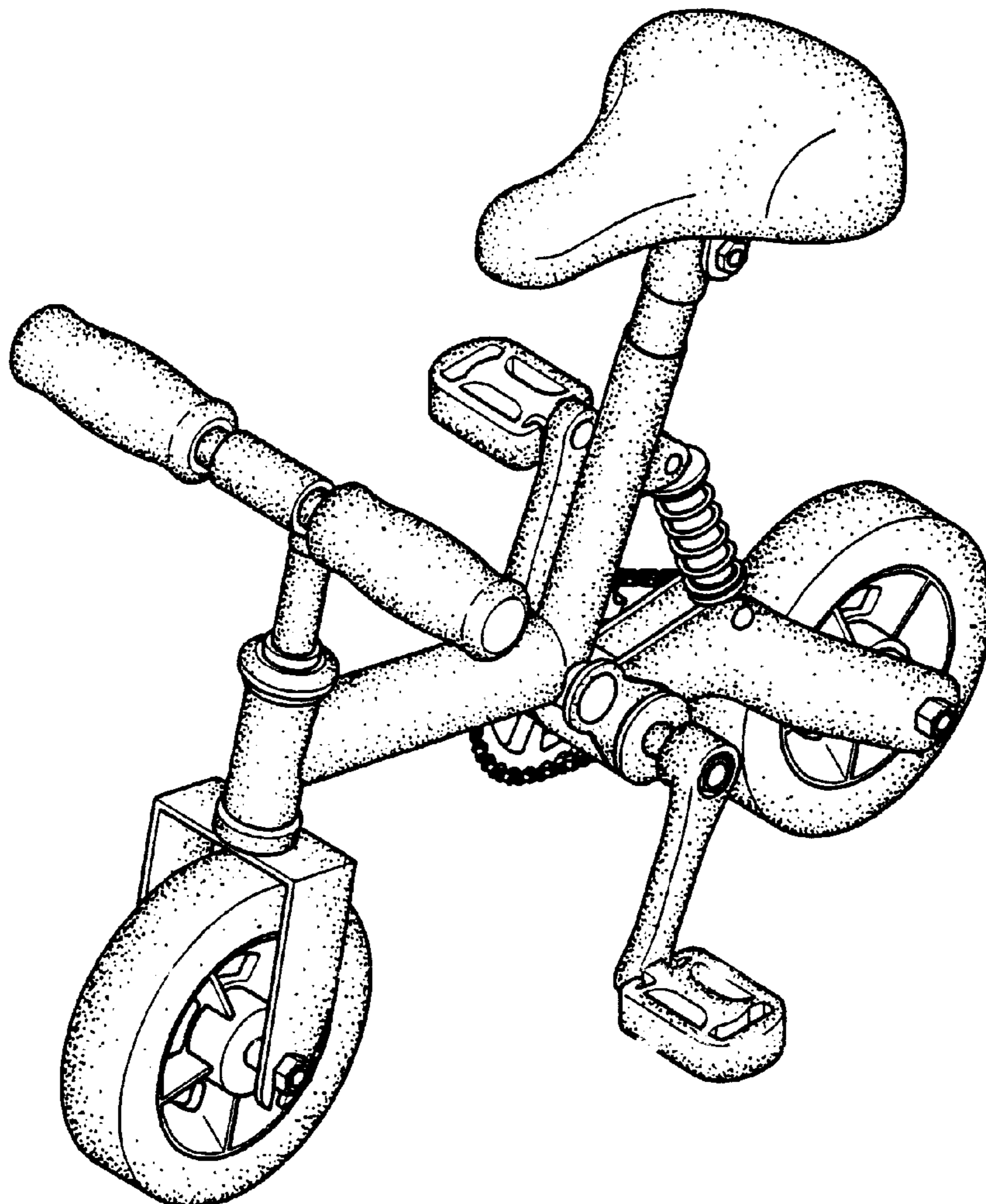
FIG. 4 is a side view thereof;

FIG. 5 is an opposite side view thereof;

FIG. 6 is a top view thereof; and,

FIG. 7 is a bottom view thereof.

1 Claim, 4 Drawing Sheets



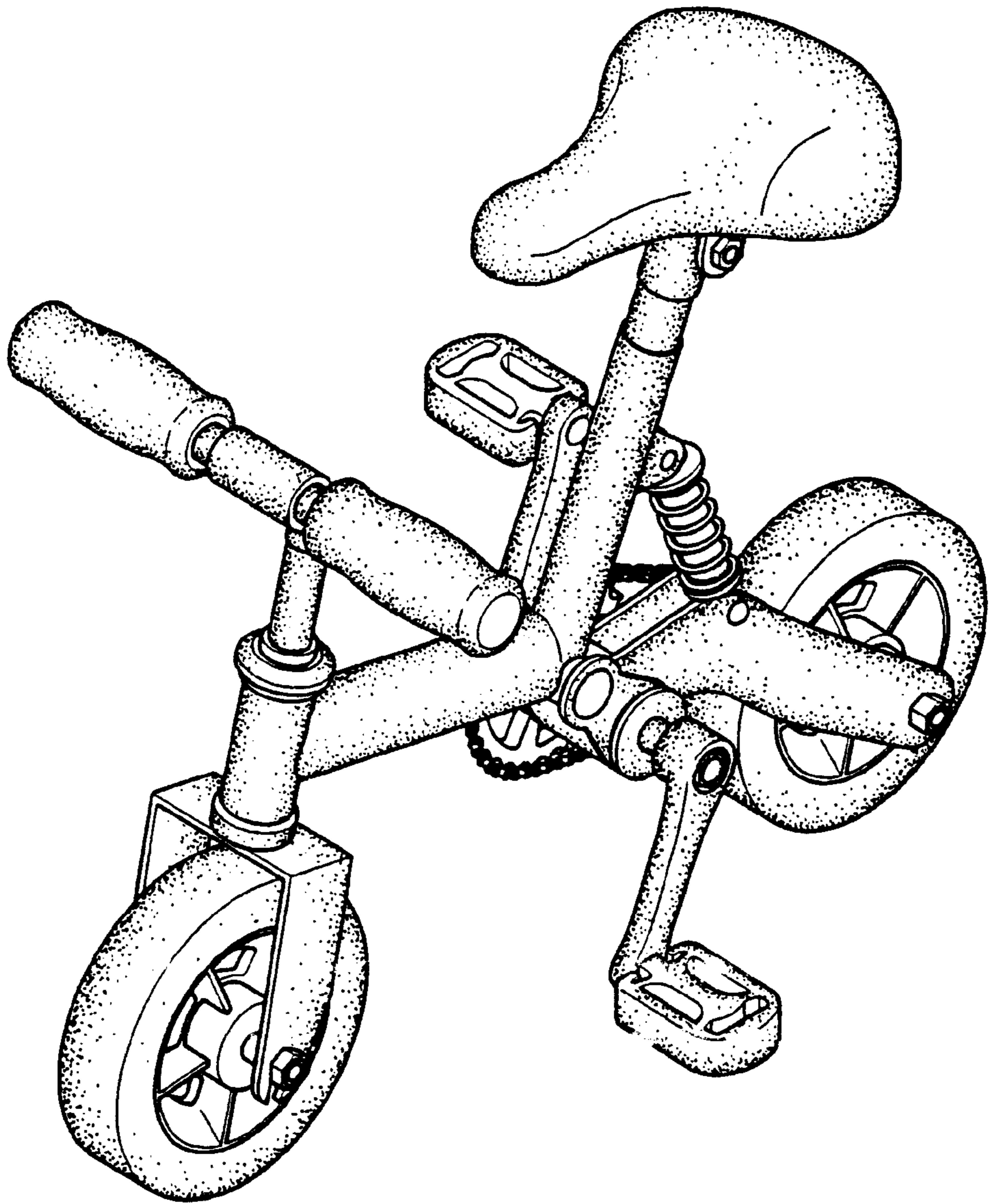


FIG. 1

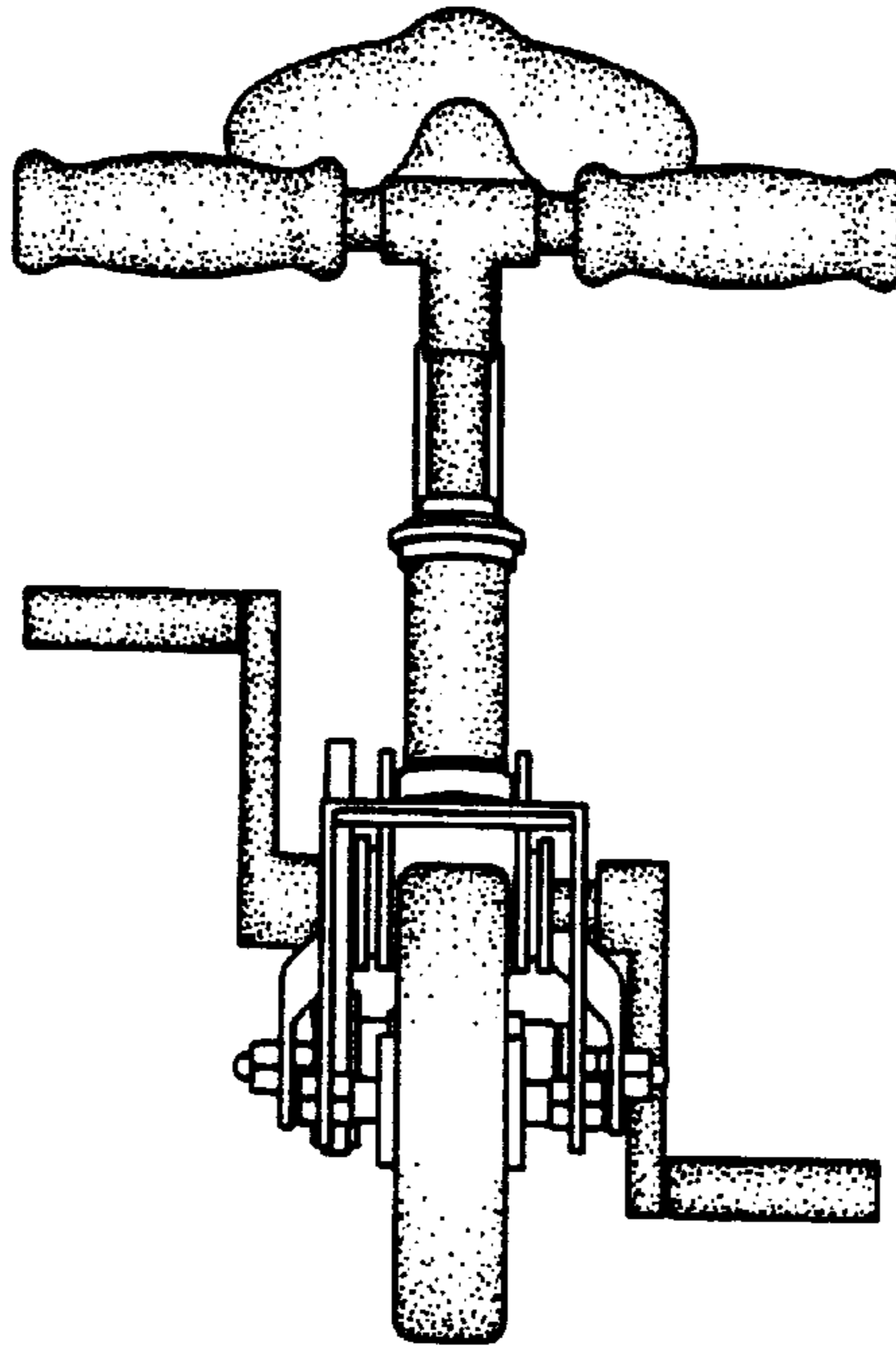


FIG. 2

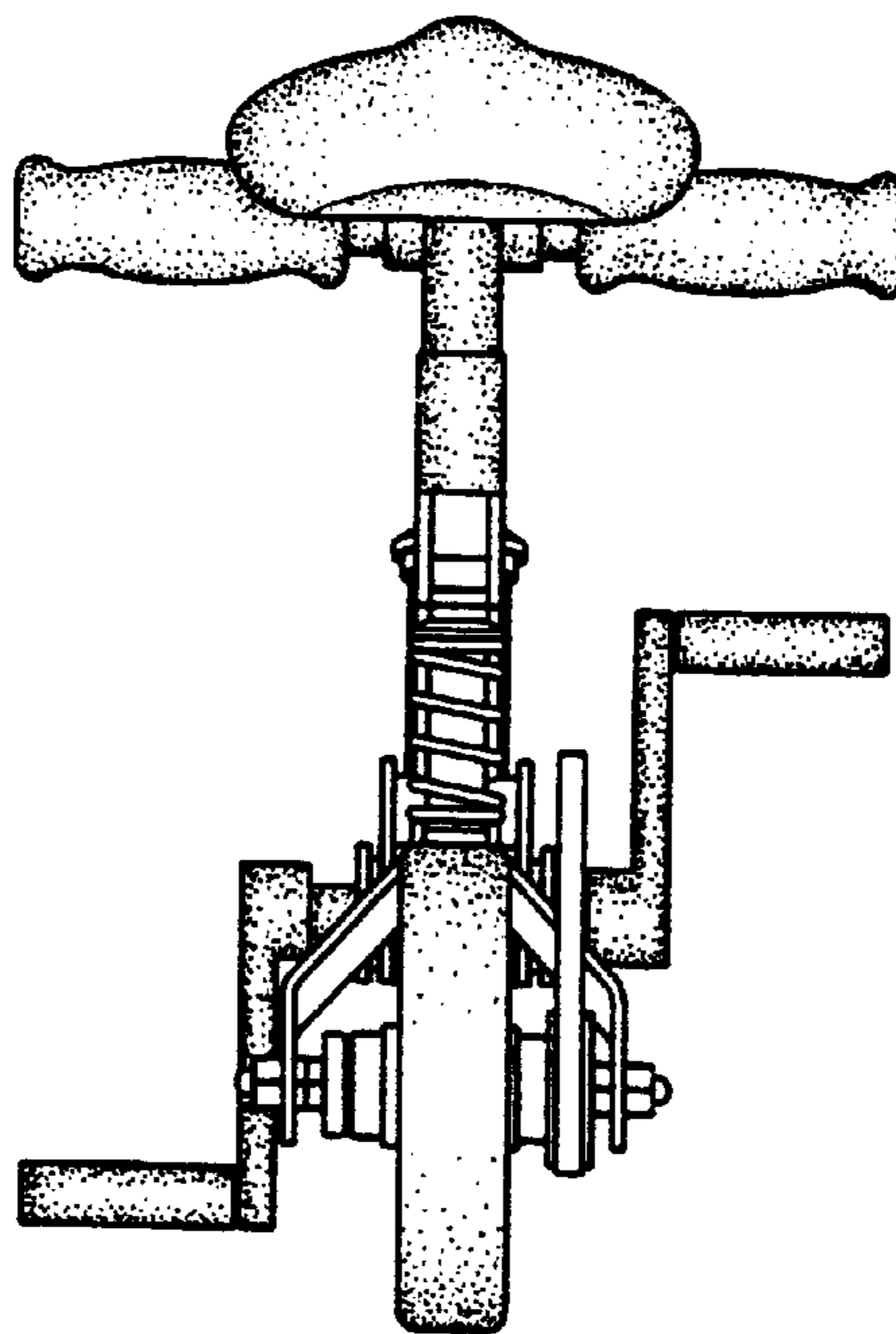


FIG. 3

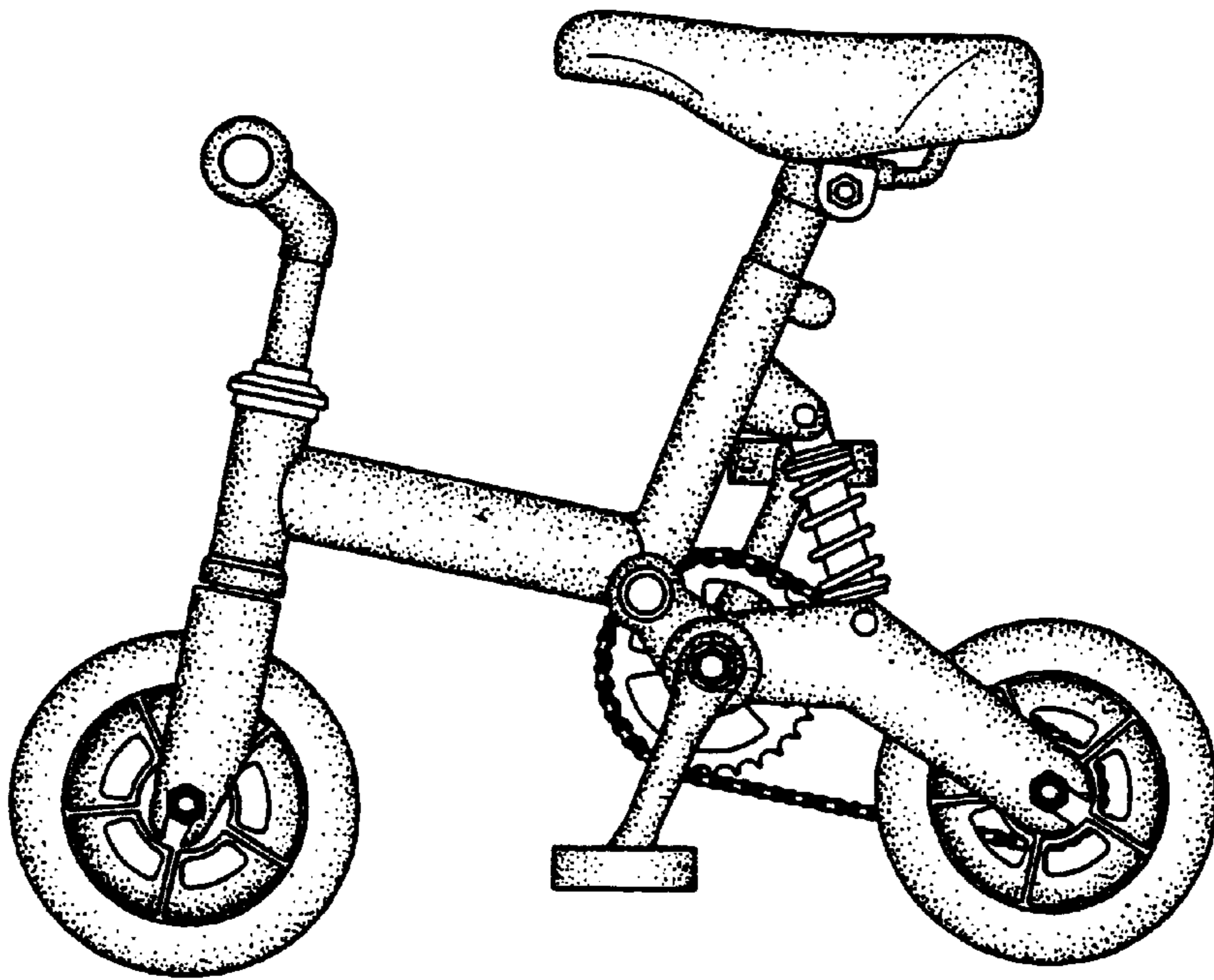


FIG. 4

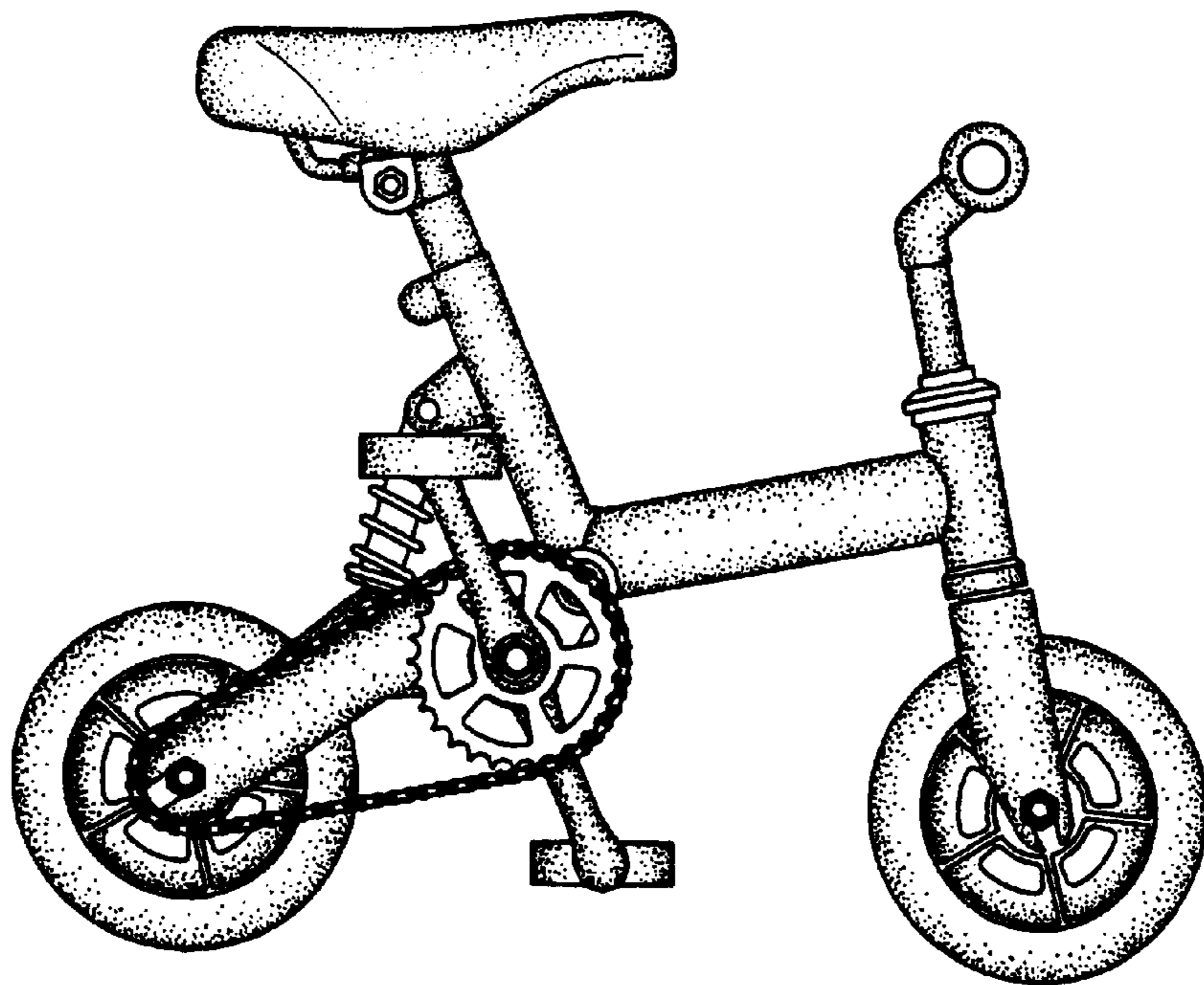


FIG. 5

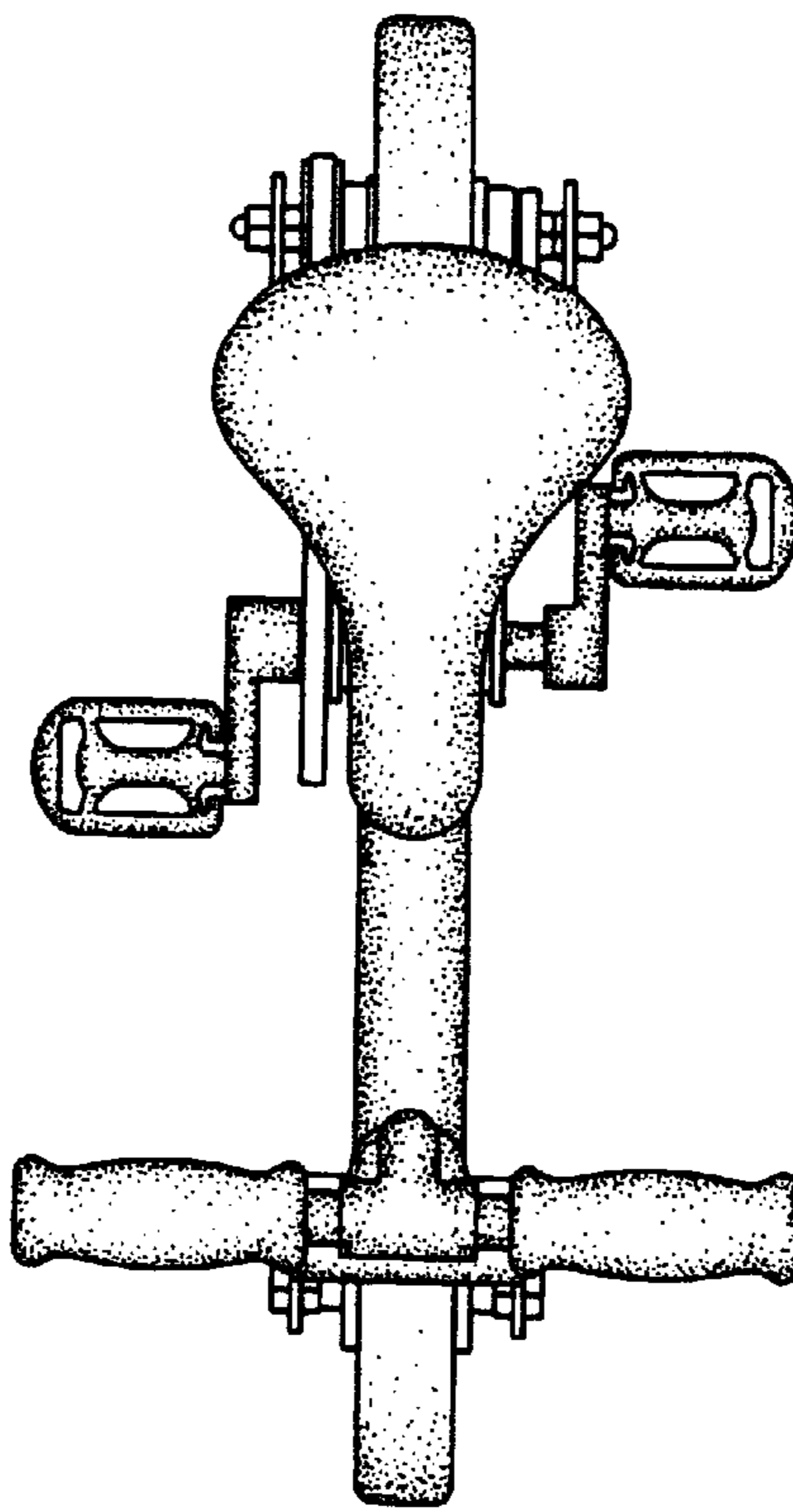


FIG. 6

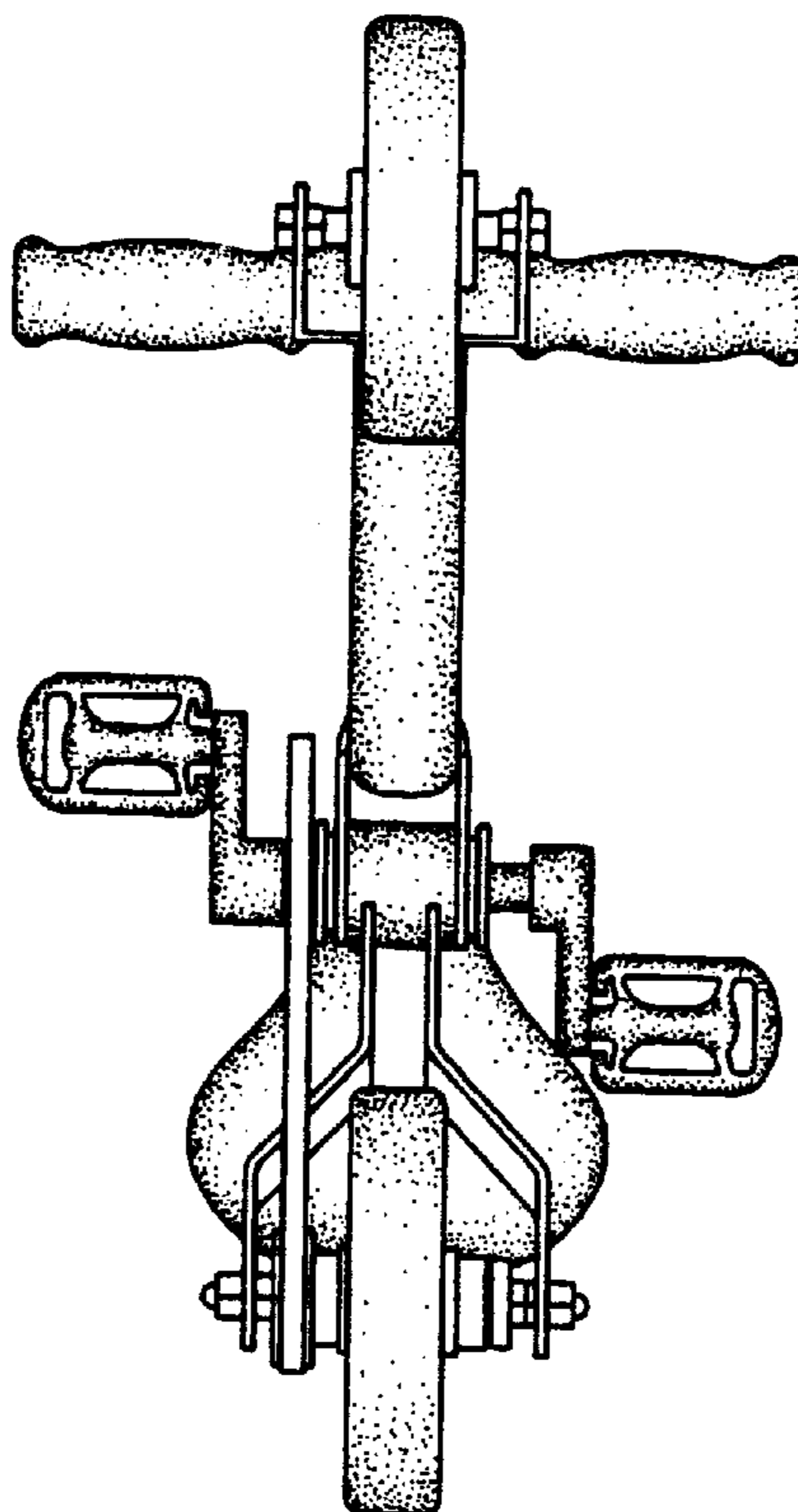


FIG. 7