



US00D449019B1

(12) **United States Design Patent**
Simpson et al.

(10) **Patent No.:** **US D449,019 S**

(45) **Date of Patent:** **** Oct. 9, 2001**

(54) **CAR BODY**

D. 440,526 * 4/2001 Dehner et al. D12/92

* cited by examiner

(75) Inventors: **Neil F. Simpson**, North Newington;
Julian M. Quincey,
Stratford-Upon-Avon, both of (GB)

Primary Examiner—Melody N. Brown
(74) *Attorney, Agent, or Firm*—Michael D. Bednarek;
Shaw Pittman LLP

(73) Assignee: **Hypercar, Inc.**, Basalt, CO (US)

(57) **CLAIM**

The ornamental design for a car body, as substantially shown and described.

(**) Term: **14 Years**

DESCRIPTION

(21) Appl. No.: **29/135,604**

FIG. 1 is a front perspective view of a car body showing my new design.

(22) Filed: **Jan. 12, 2001**

FIG. 2 is a rear perspective view thereof.

(51) **LOC (7) Cl.** **12-08**

FIG. 3 is a top view thereof.

(52) **U.S. Cl.** **D12/92**

FIG. 4 is a side view thereof.

(58) **Field of Search** D12/90-92, 86;
296/185

FIG. 5 is a side view thereof.

FIG. 6 is a front view thereof; and,

FIG. 7 is a rear view thereof.

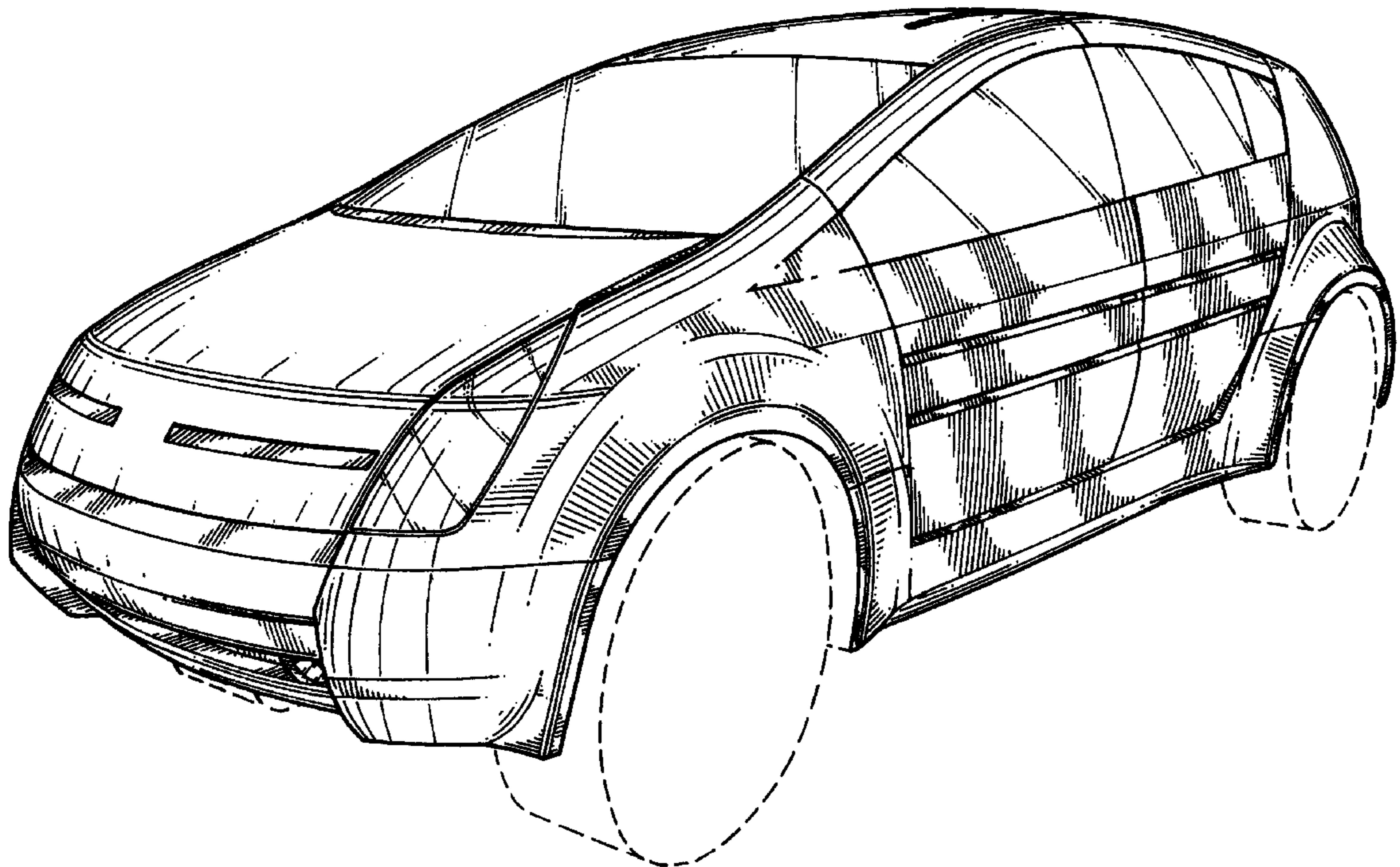
(56) **References Cited**

The broken lines shown in FIGS. 1, 2, 4, 5, 6 and 7 are shown for illustrative purposes only and form no part of the claimed design.

U.S. PATENT DOCUMENTS

- D. 431,209 * 9/2000 O'Connell D12/92
- D. 439,204 * 3/2001 Odette et al. D12/92

1 Claim, 7 Drawing Sheets



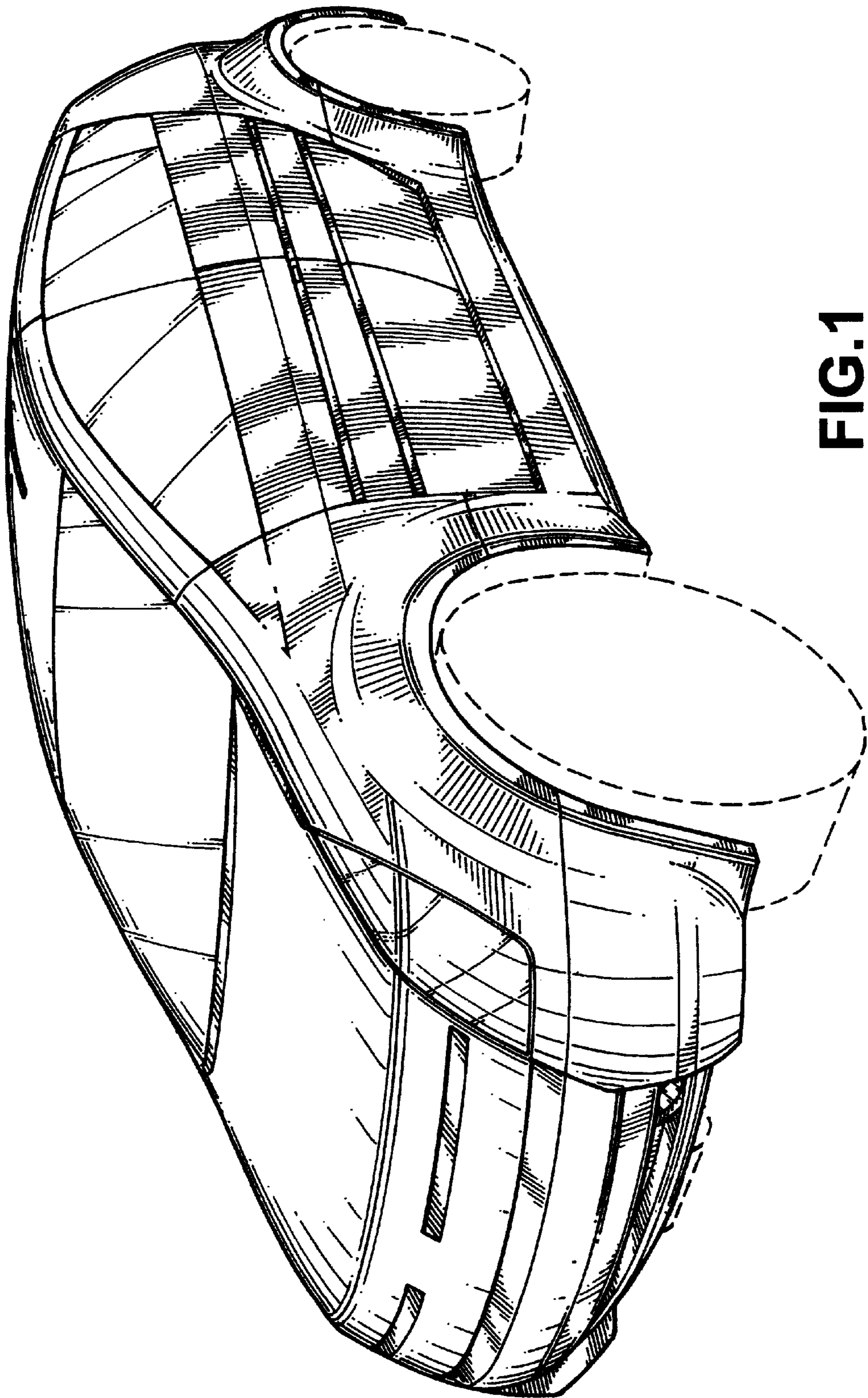


FIG.1

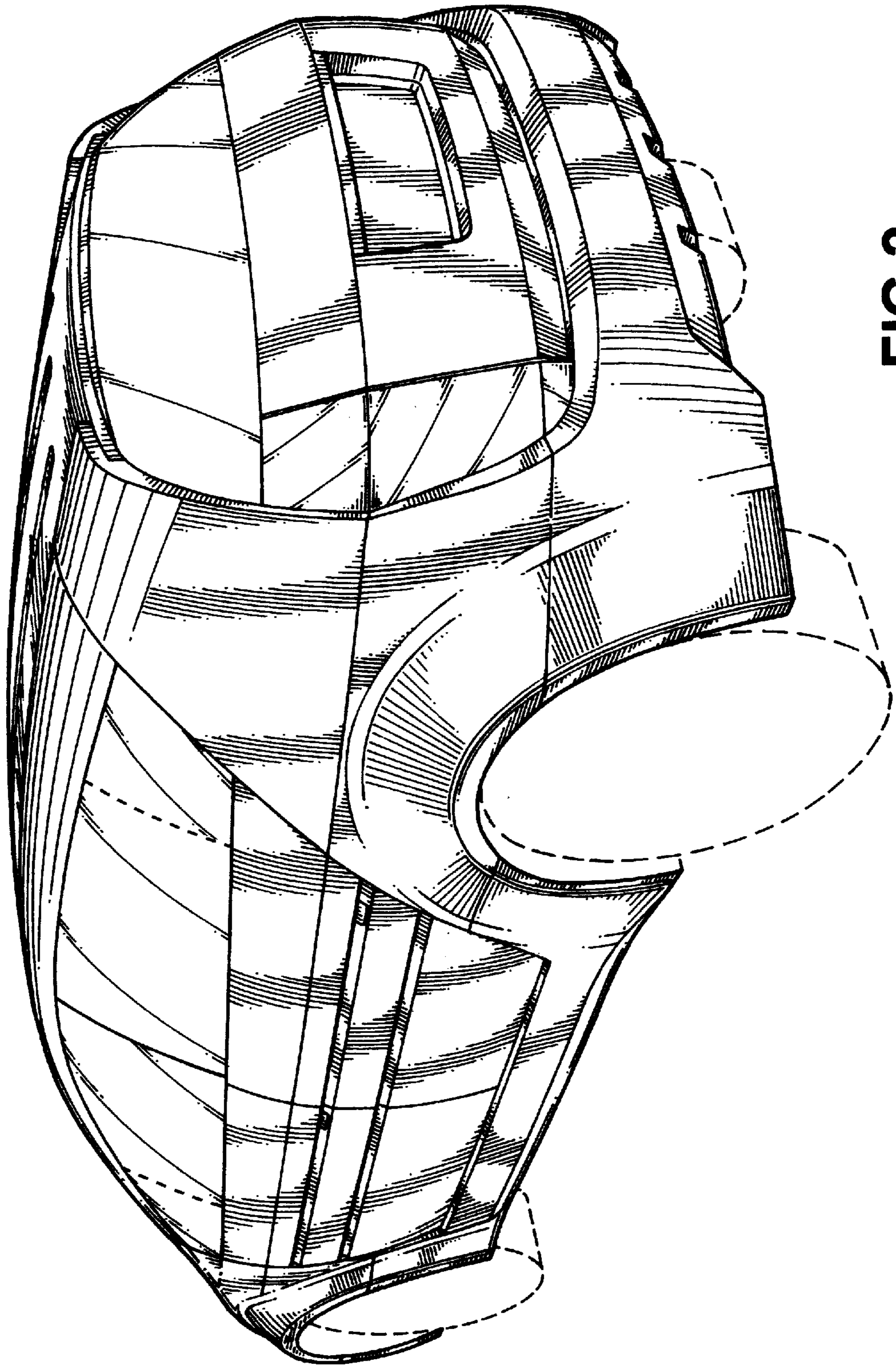


FIG.2

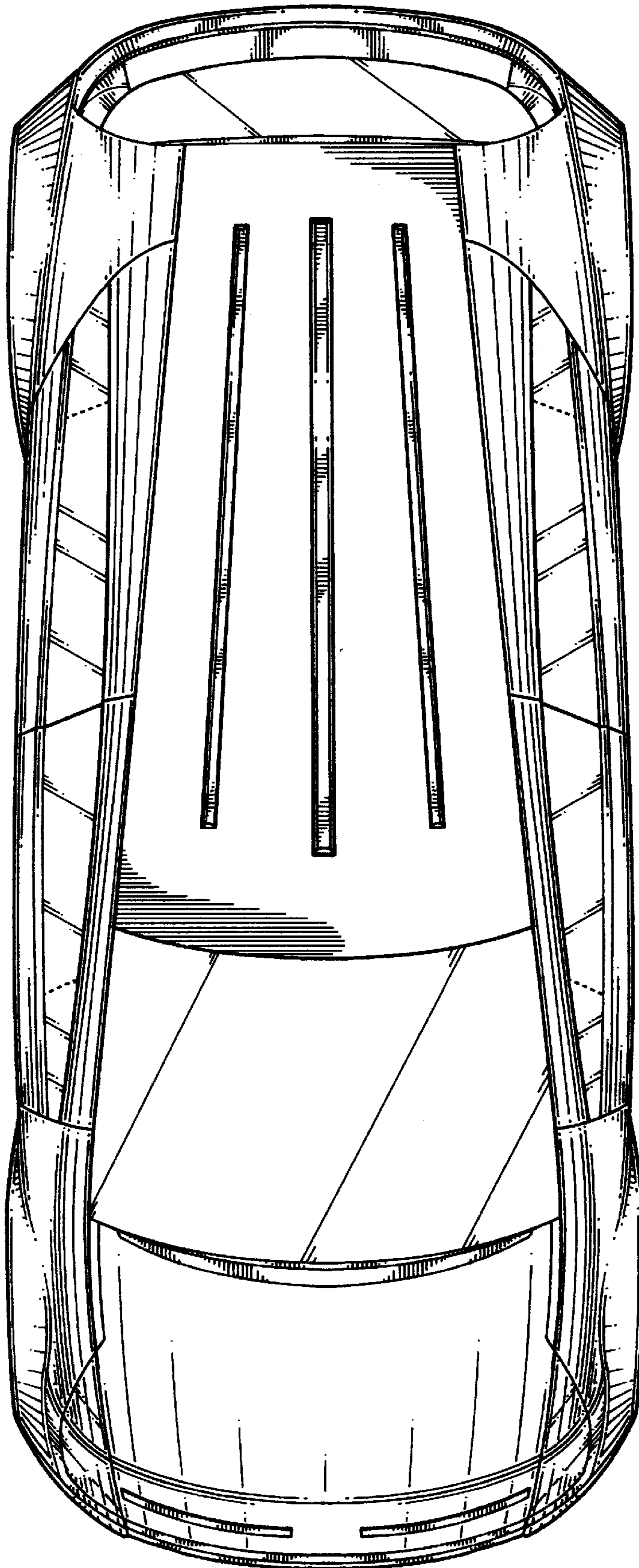


FIG.3

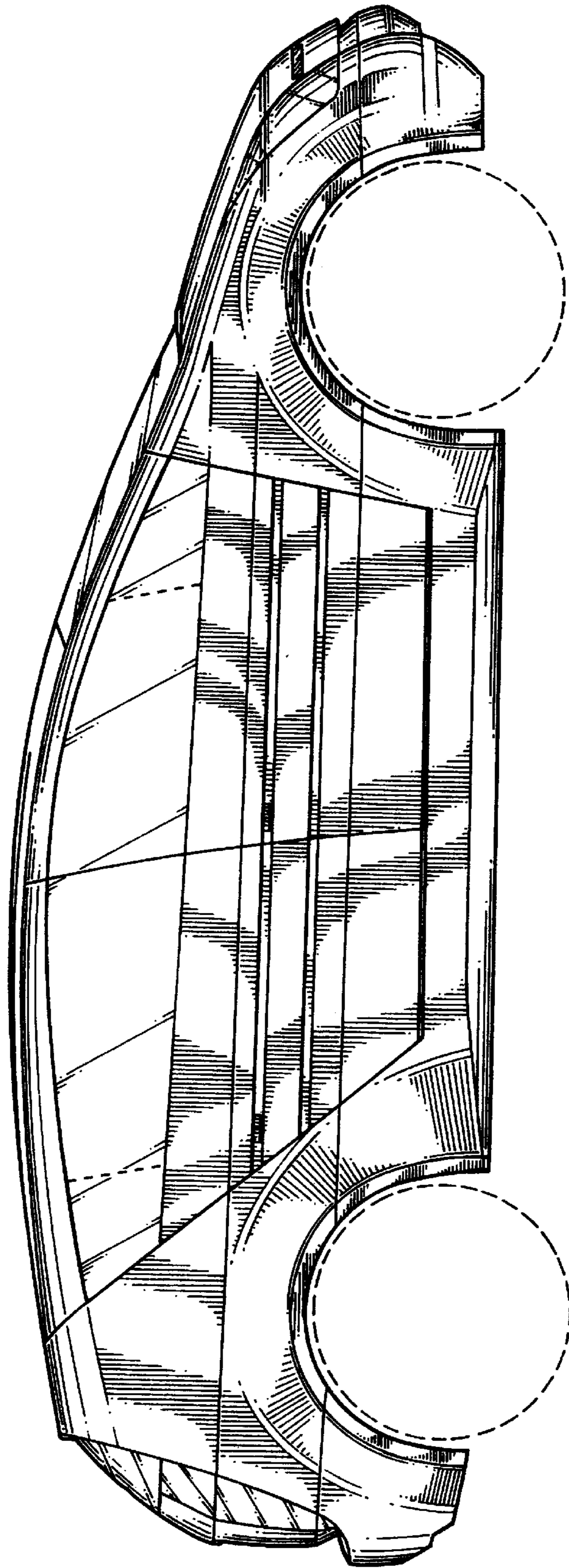


FIG.4

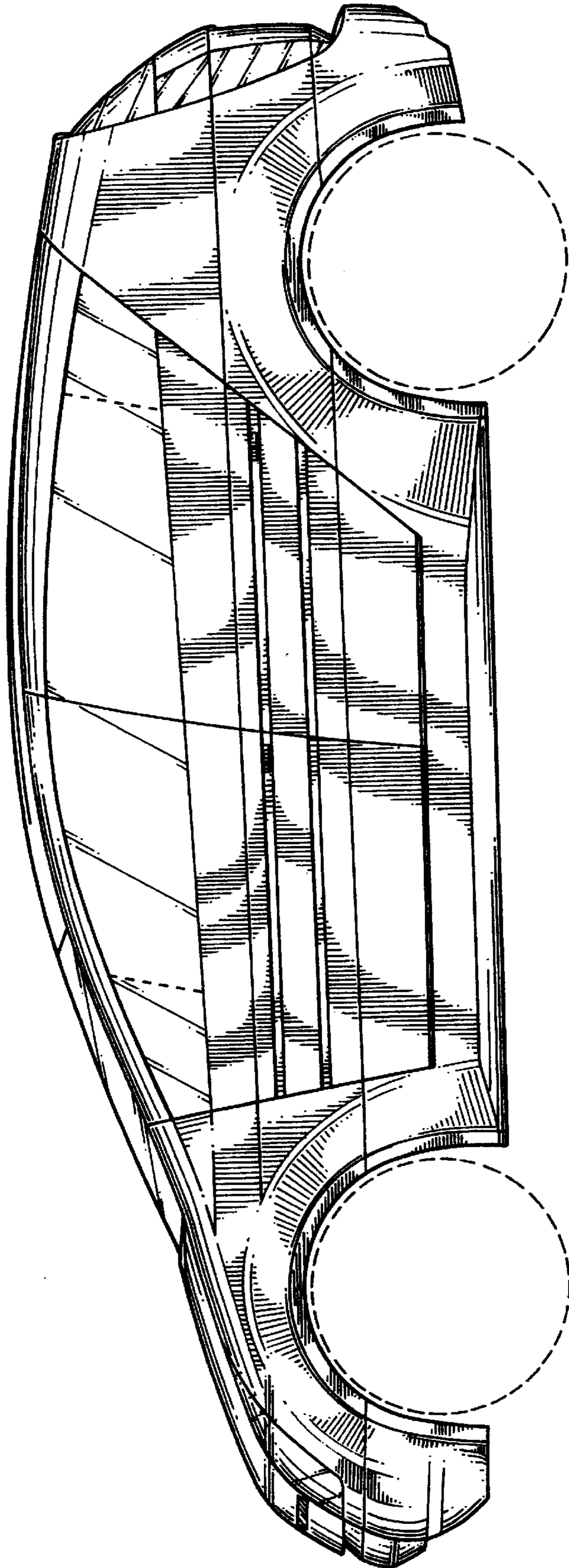


FIG.5

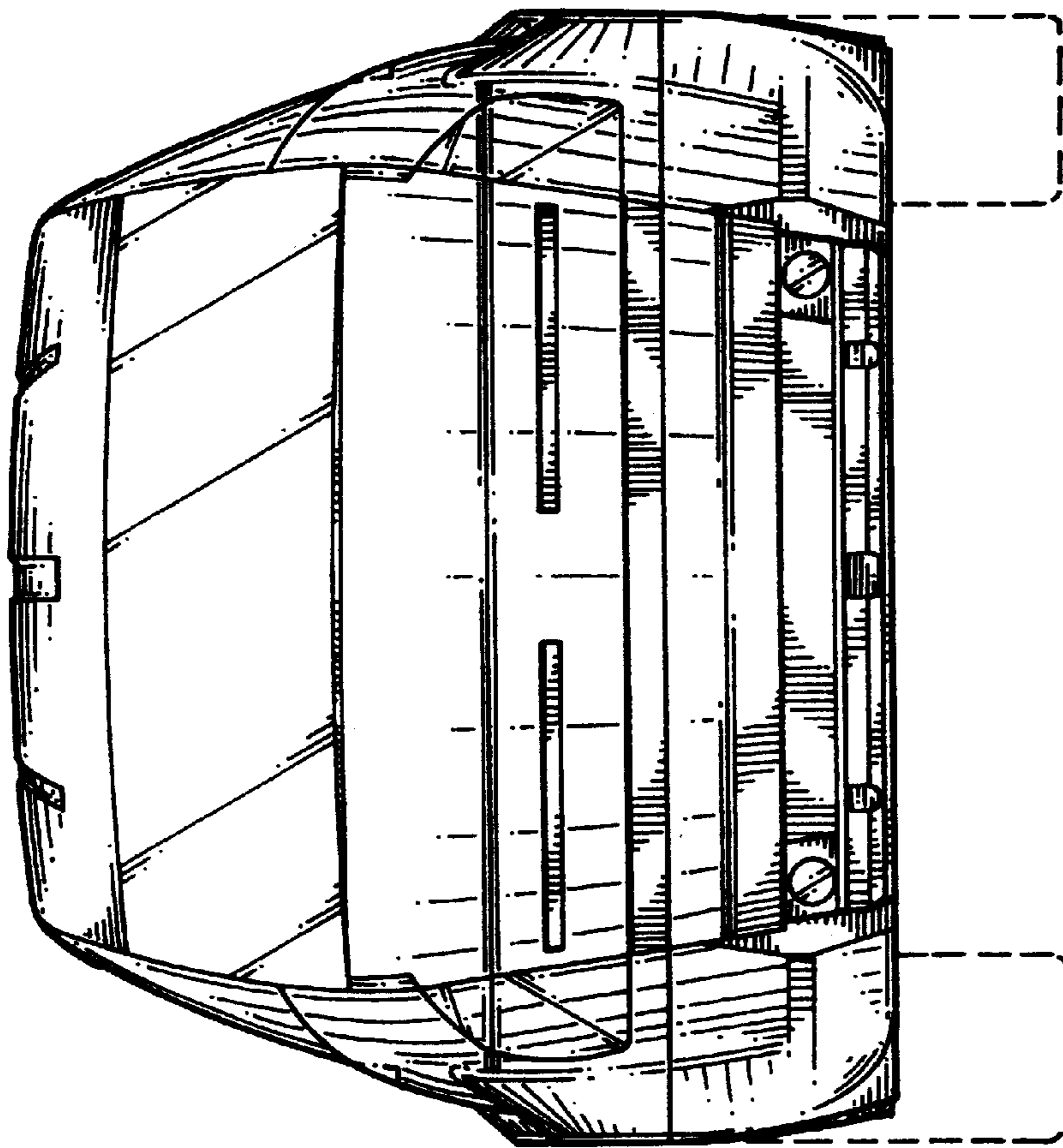


FIG.6

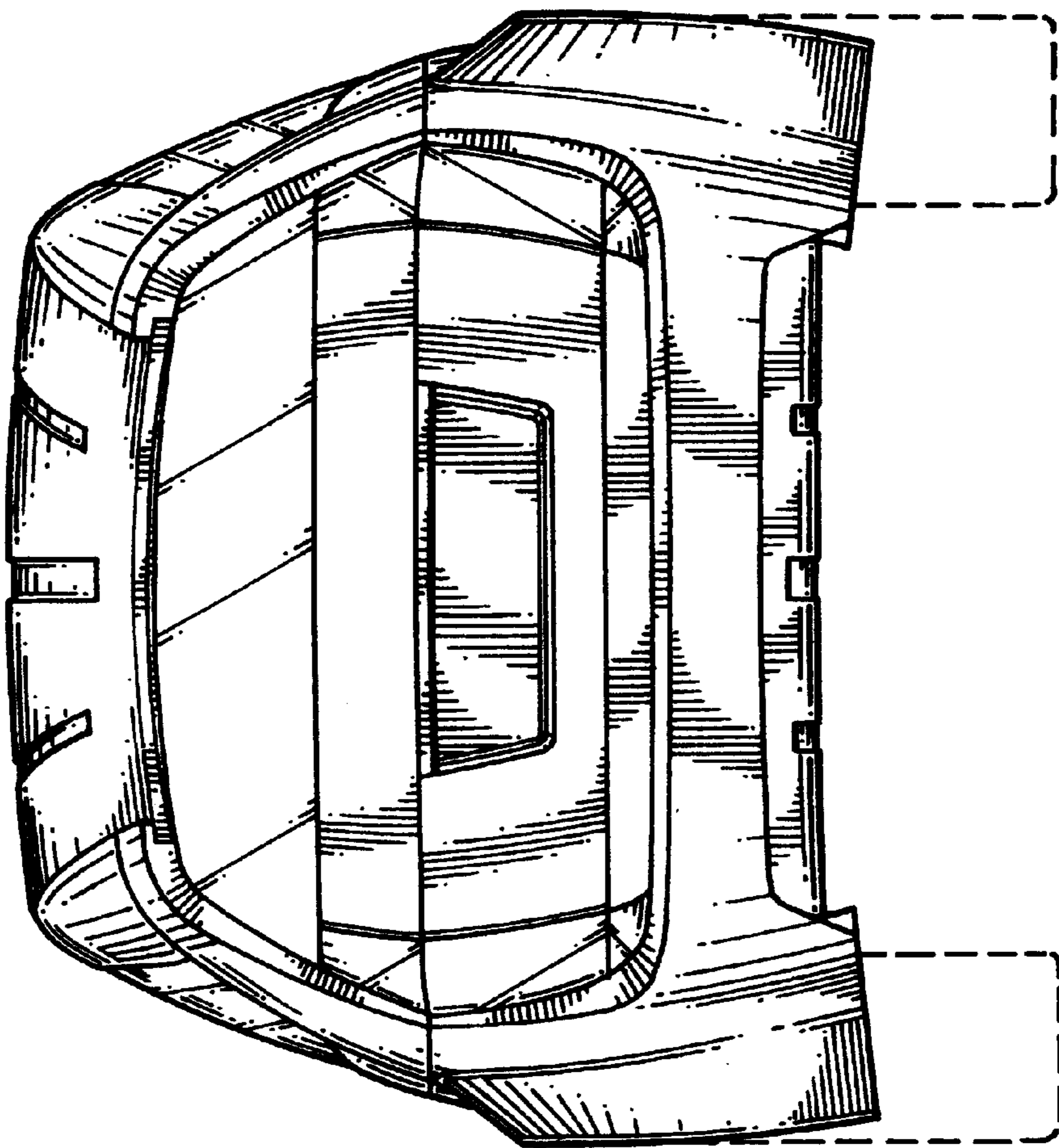


FIG. 7