



US00D449015B1

(12) **United States Design Patent**  
**Dror**

(10) **Patent No.:** **US D449,015 S**

(45) **Date of Patent:** **\*\* Oct. 9, 2001**

(54) **MONOGRAMMED JEWELRY**

(76) **Inventor:** **Menashe Dror**, 340 E. 64th St. #14 J,  
New York, NY (US) 10021

(\*\*) **Term:** **14 Years**

(21) **Appl. No.:** **29/125,223**

(22) **Filed:** **Jun. 21, 2000**

(51) **LOC (7) Cl.** ..... **02-07**

(52) **U.S. Cl.** ..... **D11/222**

(58) **Field of Search** ..... D11/200, 201,  
D11/213, 222, 89-91, 127, 129, 34, 27,  
38, 282, 8.6; 63/1.1, 23

(56) **References Cited**

**U.S. PATENT DOCUMENTS**

D. 160,001	*	9/1950	Moulson	.....	D11/222
D. 160,002	*	9/1950	Moulson	.....	D11/222
D. 191,757	*	11/1961	Jacobi	.....	D11/89
D. 270,433		9/1983	Sun	.....	D11/129
D. 271,104		10/1983	Sun	.....	D11/127
D. 292,683		11/1987	Bulgari	.....	D11/34

D. 293,897	1/1988	Bulgari	.....	D11/27
D. 372,204	7/1996	Itzkowitz	.....	D11/34
D. 374,193	10/1996	Doustorian	.....	D11/34
D. 398,552	9/1998	Siman-Tov et al.	.....	D11/90
D. 399,160	10/1998	Pandel	.....	D10/128
5,799,511	9/1998	Benderly	.....	63/23
6,004,026	12/1999	Slowinski	.....	368/282

\* cited by examiner

*Primary Examiner*—Ralf Seifert

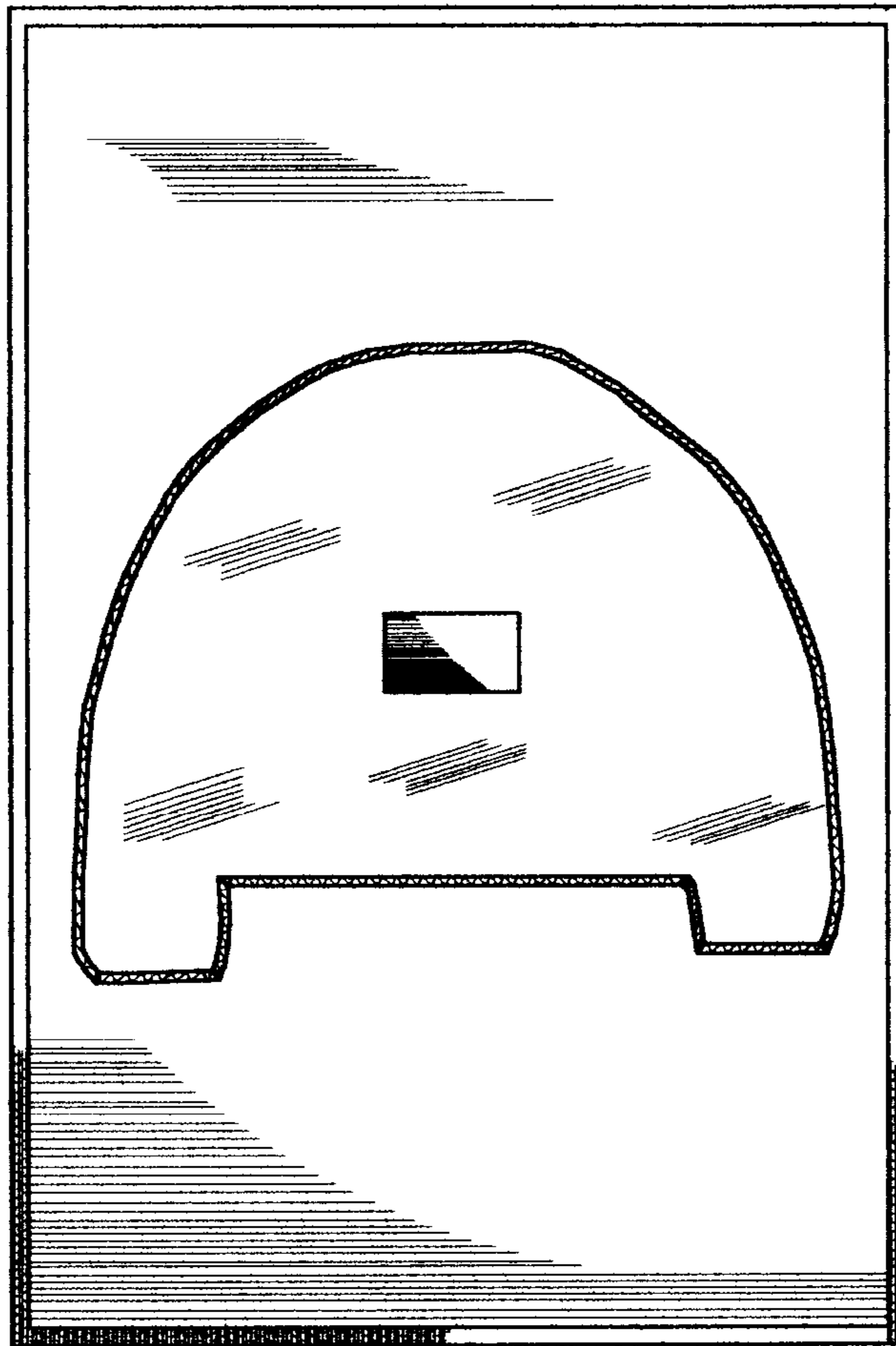
(57) **CLAIM**

The ornamental design for a monogrammed jewelry, as shown and described.

**DESCRIPTION**

FIG. 1 is a top plan view of monogrammed jewelry showing my new design;  
FIG. 2 is a front elevation view thereof, the rear elevation view being the same;  
FIG. 3 is a right side elevation view thereof; and,  
FIG. 4 is a left side elevation view thereof.

**1 Claim, 2 Drawing Sheets**



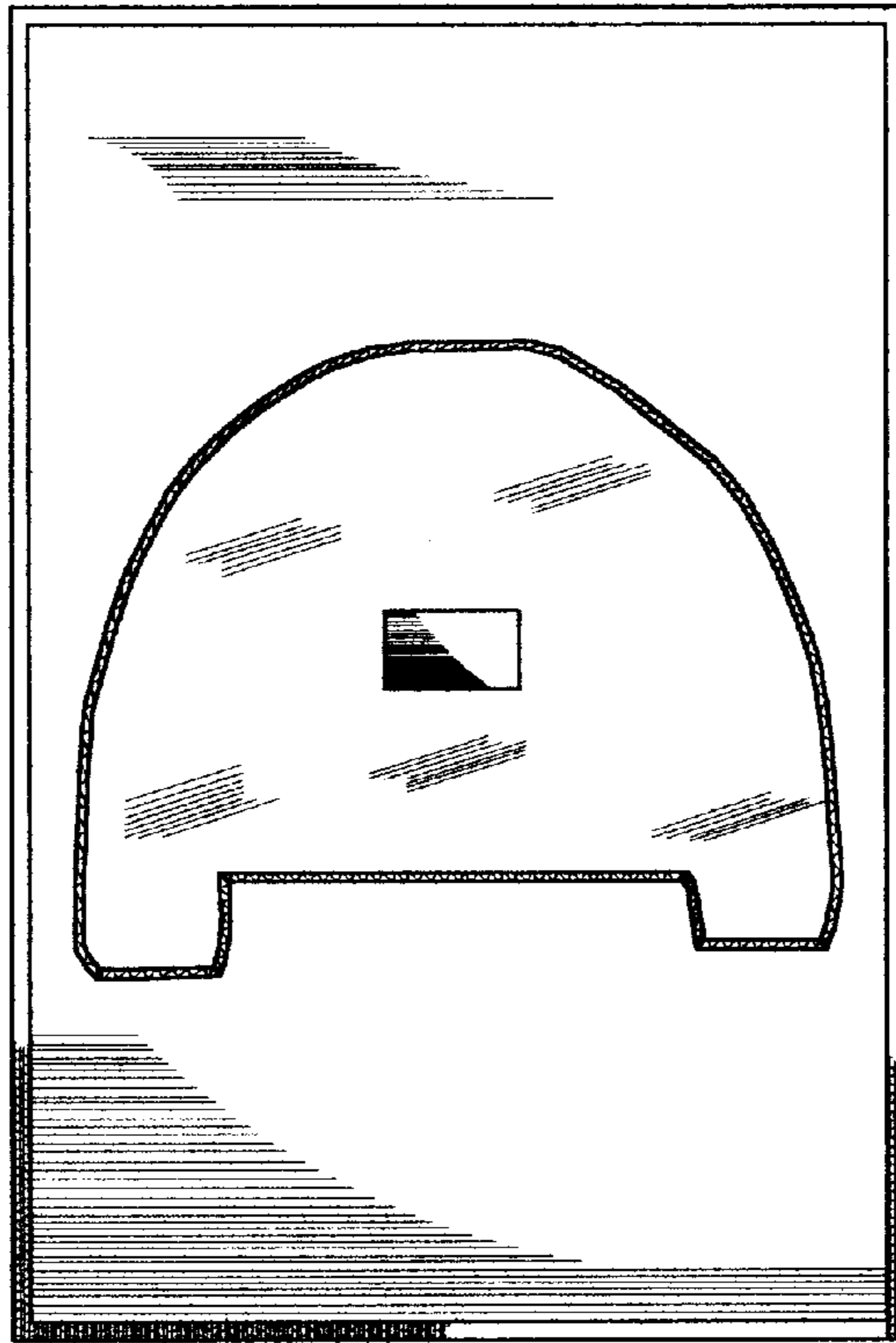


FIG. 1

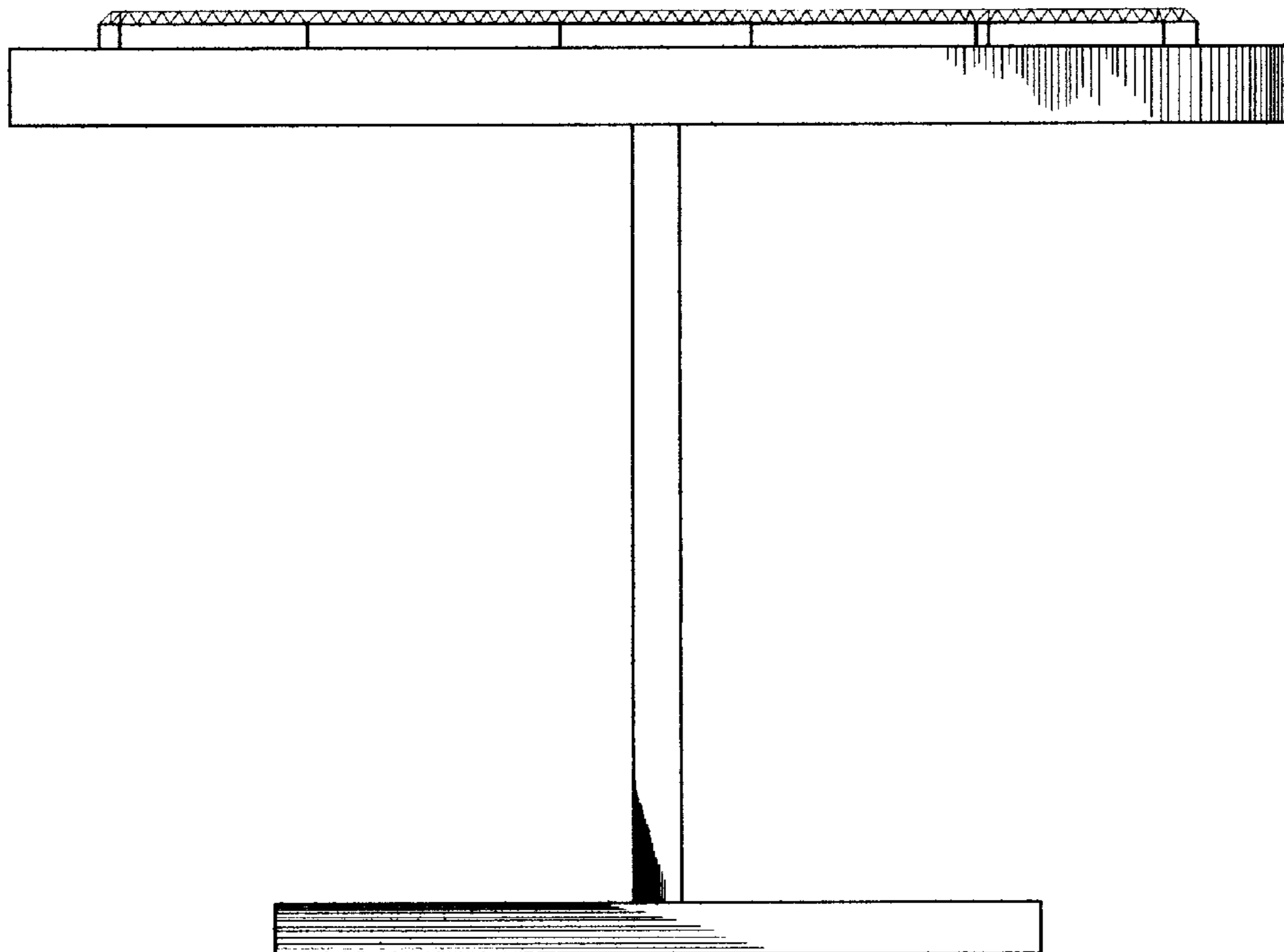


FIG. 2

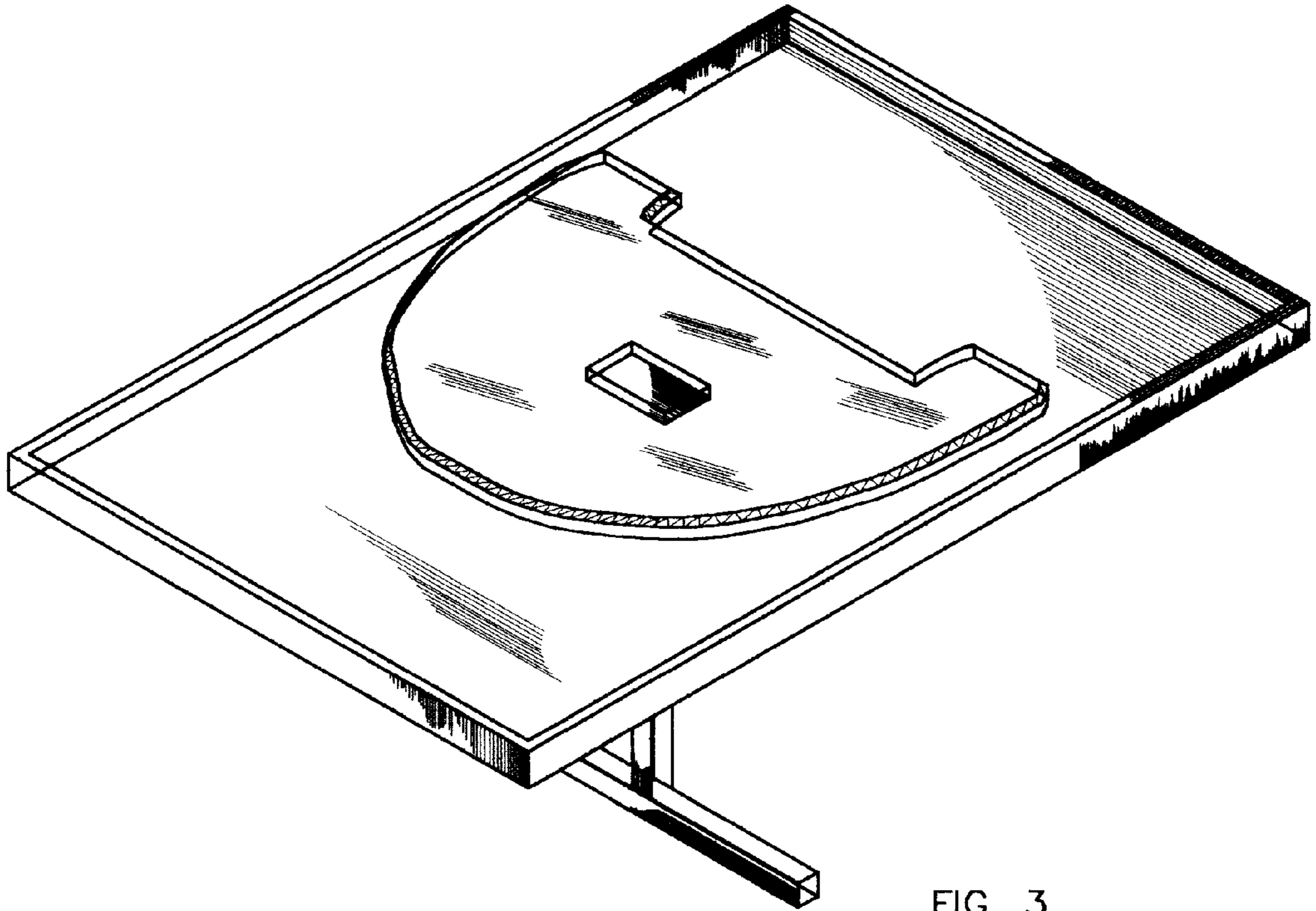


FIG. 3

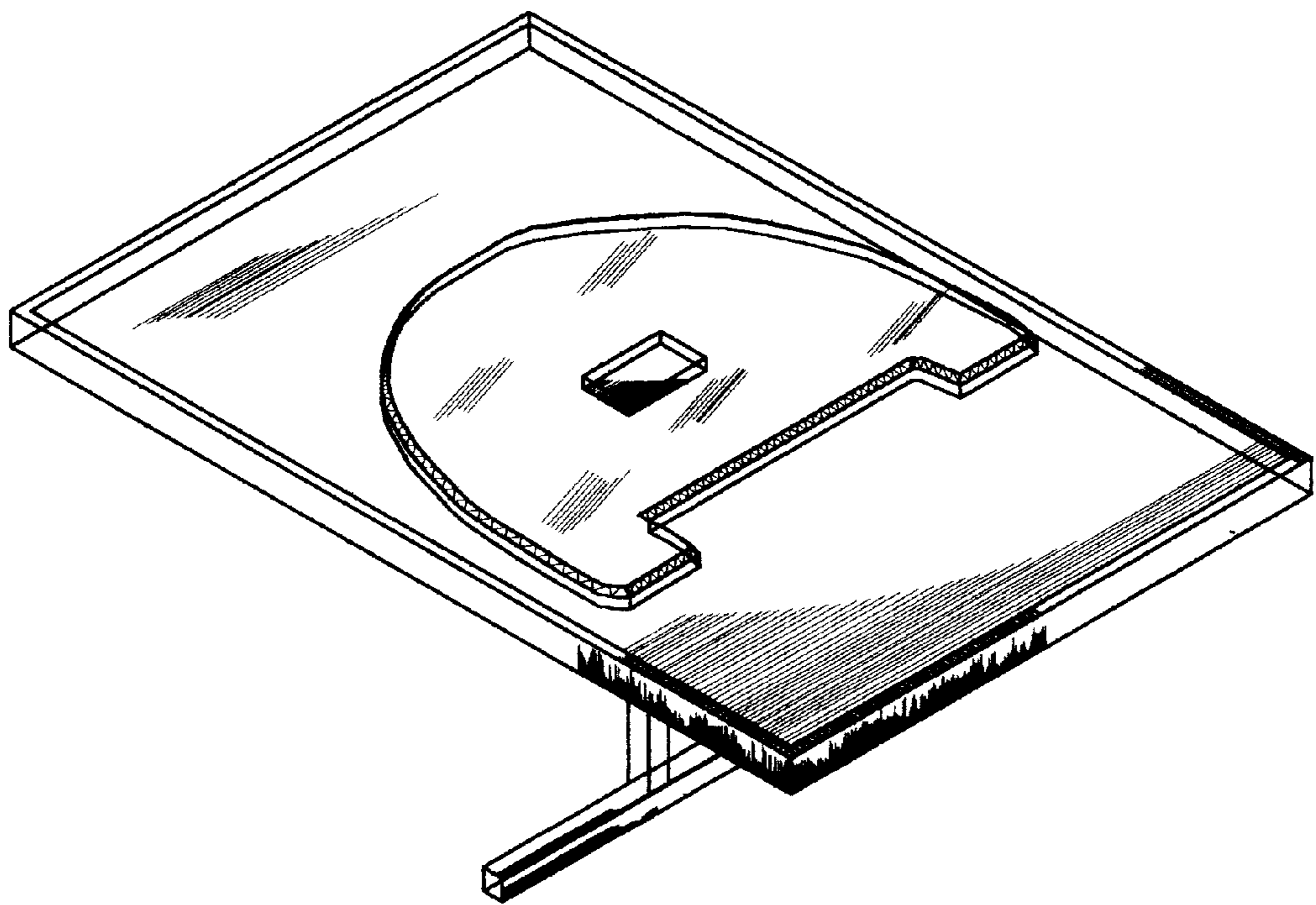


FIG. 4