



US00D449004B1

(12) **United States Design Patent**
Li

(10) **Patent No.:** **US D449,004 S**

(45) **Date of Patent:** **** Oct. 9, 2001**

(54) **SELF OPENING CALCULATOR CLOCK**

(76) **Inventor:** **Robert Shu Keung Li**, 1455 Monterey
Pass Rd., Suite 102, Monterey Park, CA
(US) 91754

(**) **Term:** **14 Years**

(21) **Appl. No.:** **29/138,447**

(22) **Filed:** **Mar. 14, 2001**

(51) **LOC (7) Cl.** **10-01**

(52) **U.S. Cl.** **D10/2; D10/15; D10/18;**
D18/2

(58) **Field of Search** **D10/1, 2, 3-15,**
D10/16-18, 19-40, 122-132; 368/10, 276,
277, 285, 316, 317; D18/2, 7; D19/21

(56) **References Cited**

U.S. PATENT DOCUMENTS

D. 258,221	2/1981	Shimasaka	D18/7
D. 259,348	5/1981	Sakai et al.	D18/2
D. 260,777	9/1981	Yoshioka et al.	D18/1
D. 284,199	6/1986	Li	D18/2
D. 284,387	6/1986	Li	D18/2
D. 286,161	10/1986	Wong	D18/2
D. 289,869	5/1987	Woolley	D14/72
D. 293,714	1/1988	Jih	D23/370
D. 312,831	12/1990	Sawada et al.	D18/2
D. 322,405	12/1991	Ozawa	D10/2
D. 328,254	7/1992	Peersmann	D10/2
D. 332,274	1/1993	Peersmann	D18/2
D. 333,158	2/1993	Peersmann	D19/77
D. 333,159	2/1993	Peersmann	D19/78
D. 345,757	4/1994	Webb et al.	D18/6
D. 348,843	* 7/1994	Sanctis	D10/33

D. 355,611	* 2/1995	Hanagata	D10/31
D. 382,007	8/1997	Peersmann	D18/2
D. 382,008	8/1997	Mak	D18/2
D. 427,629	* 7/2000	Chu et al.	D19/21
D. 436,992	* 1/2001	Chu et al.	D19/21
D. 444,072	* 6/2001	Chan	D10/3
4,573,134	2/1986	Ikemoto	364/705

* cited by examiner

Primary Examiner—Martie K. Holtje

(57) **CLAIM**

The ornamental design for a self opening calculator clock, as shown and described.

DESCRIPTION

FIG. 1 is a perspective view of a self opening calculator clock in an open position showing my new design;
 FIG. 2 is a front elevational view thereof;
 FIG. 3 is a left side elevational view thereof, the undisclosed right side elevational view being a mirror image thereof;
 FIG. 4 is a rear elevational view thereof;
 FIG. 5 is a top plan view thereof;
 FIG. 6 is a bottom plan view thereof;
 FIG. 7 is a perspective view of the self opening calculator clock in a closed position thereof;
 FIG. 8 is a front elevational view of FIG. 7 thereof;
 FIG. 9 is a right side elevational view thereof, the undisclosed left side elevational view being a mirror image thereof;
 FIG. 10 is a rear elevational view thereof;
 FIG. 11 is a top plan view thereof; and,
 FIG. 12 is a bottom plan view thereof.

1 Claim, 3 Drawing Sheets



Fig. 1



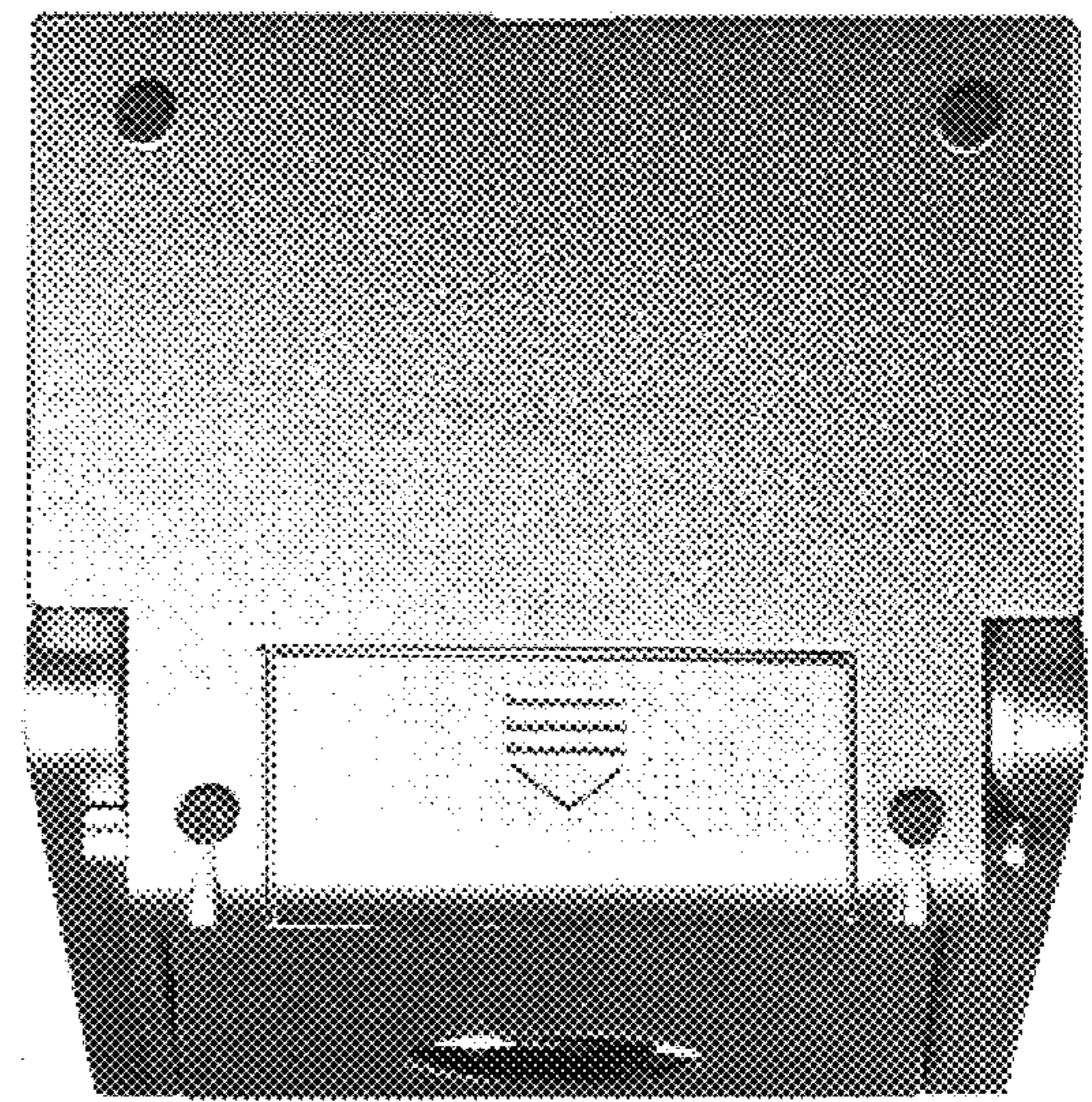
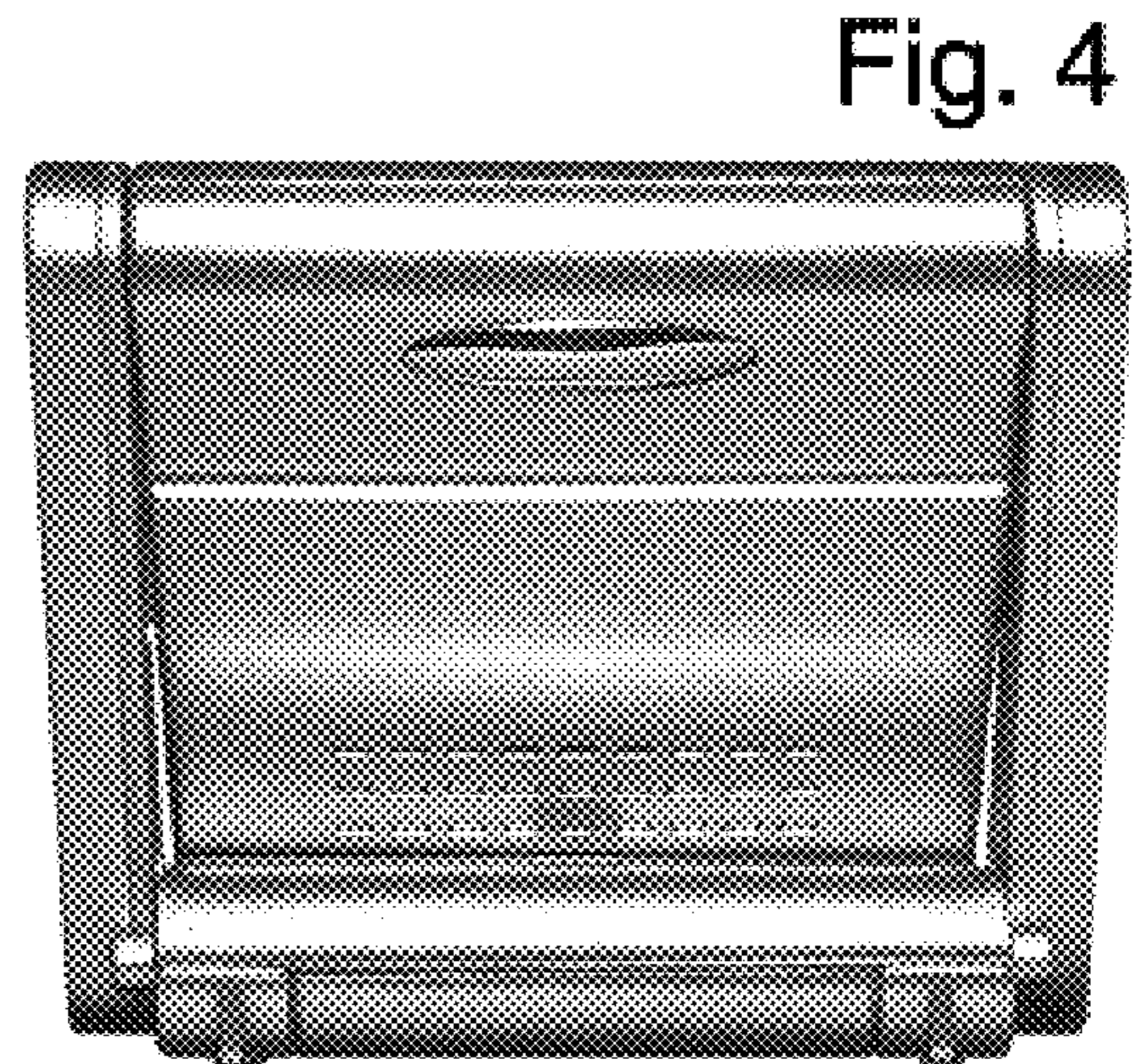
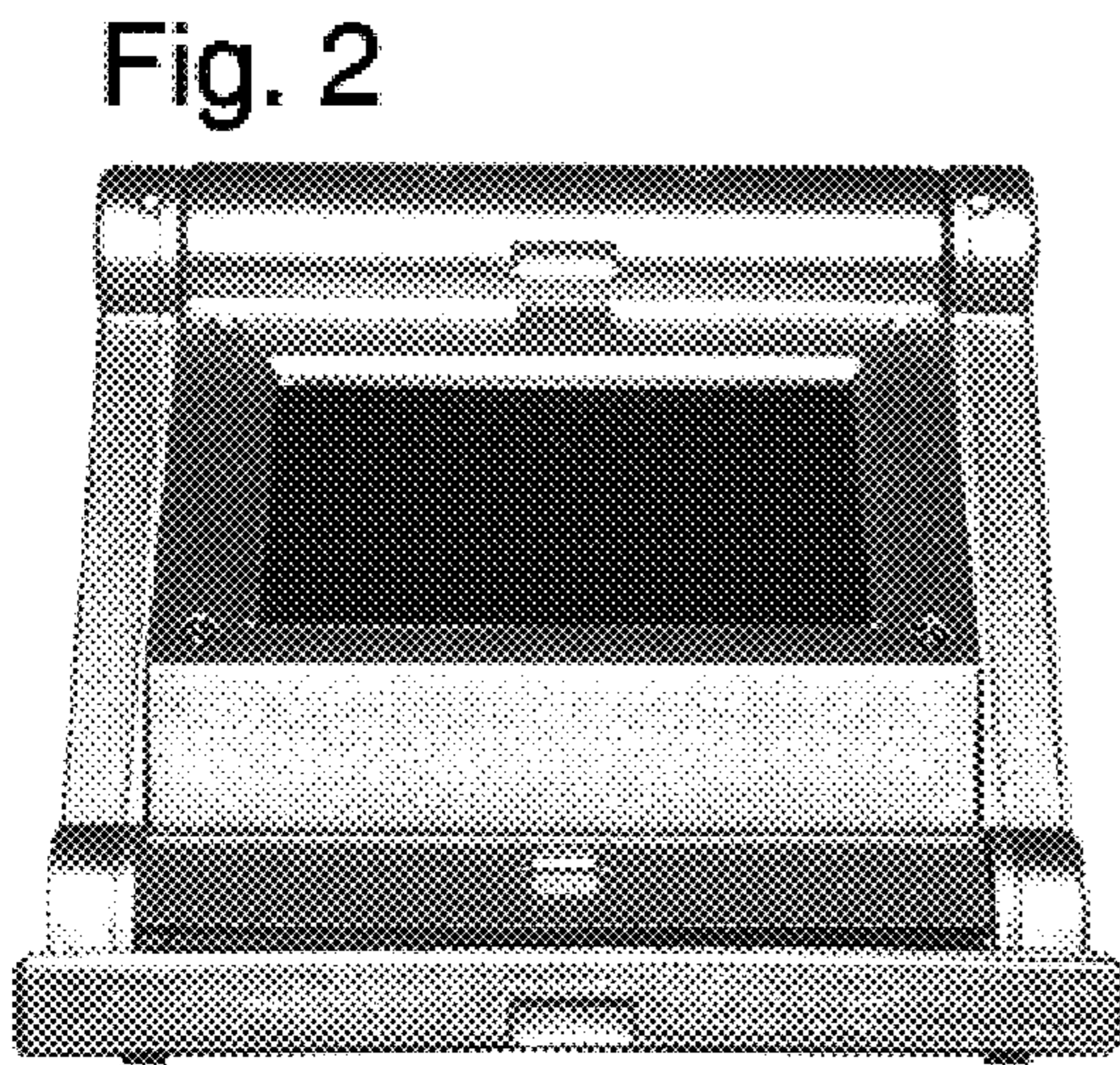
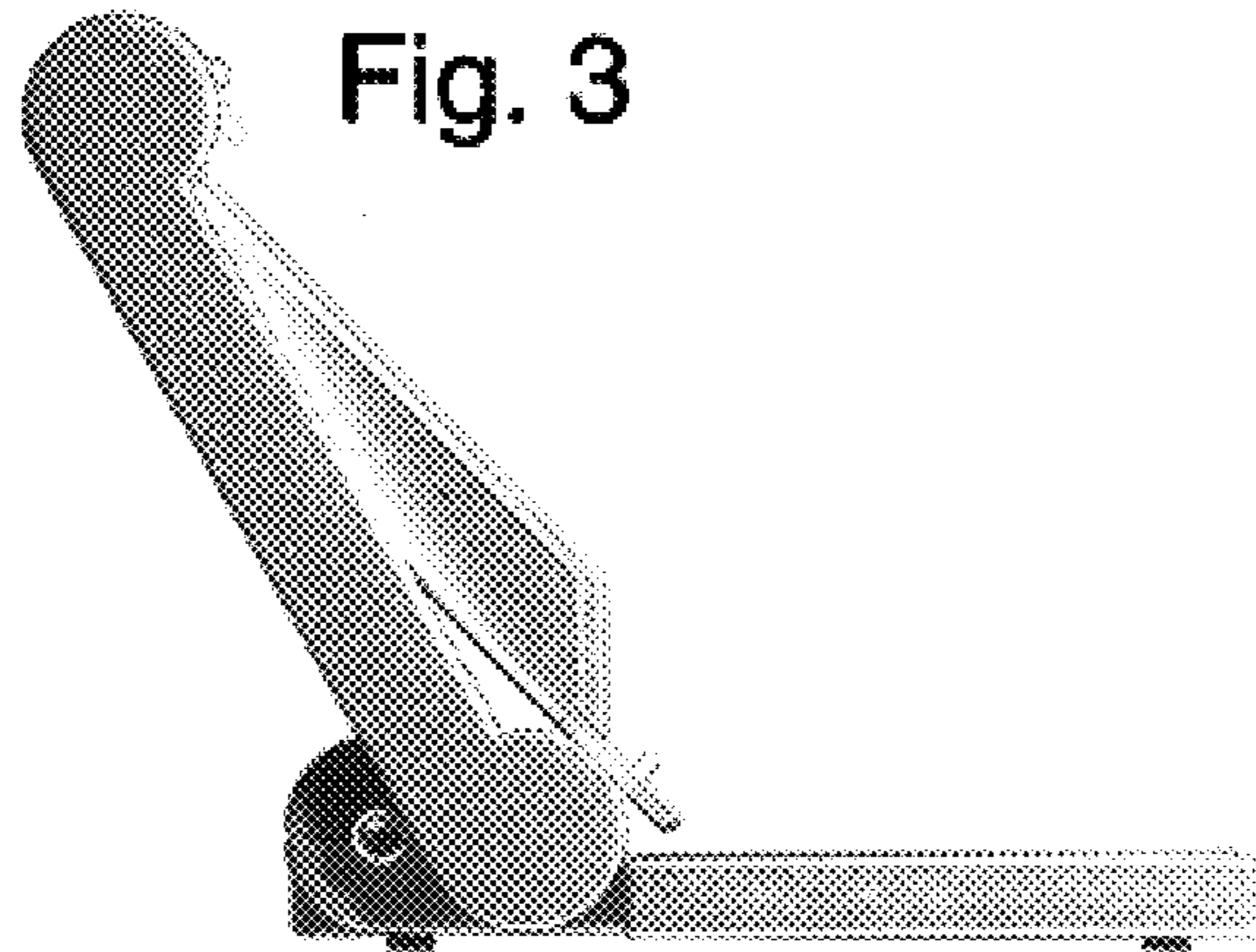




Fig. 7

Fig. 11

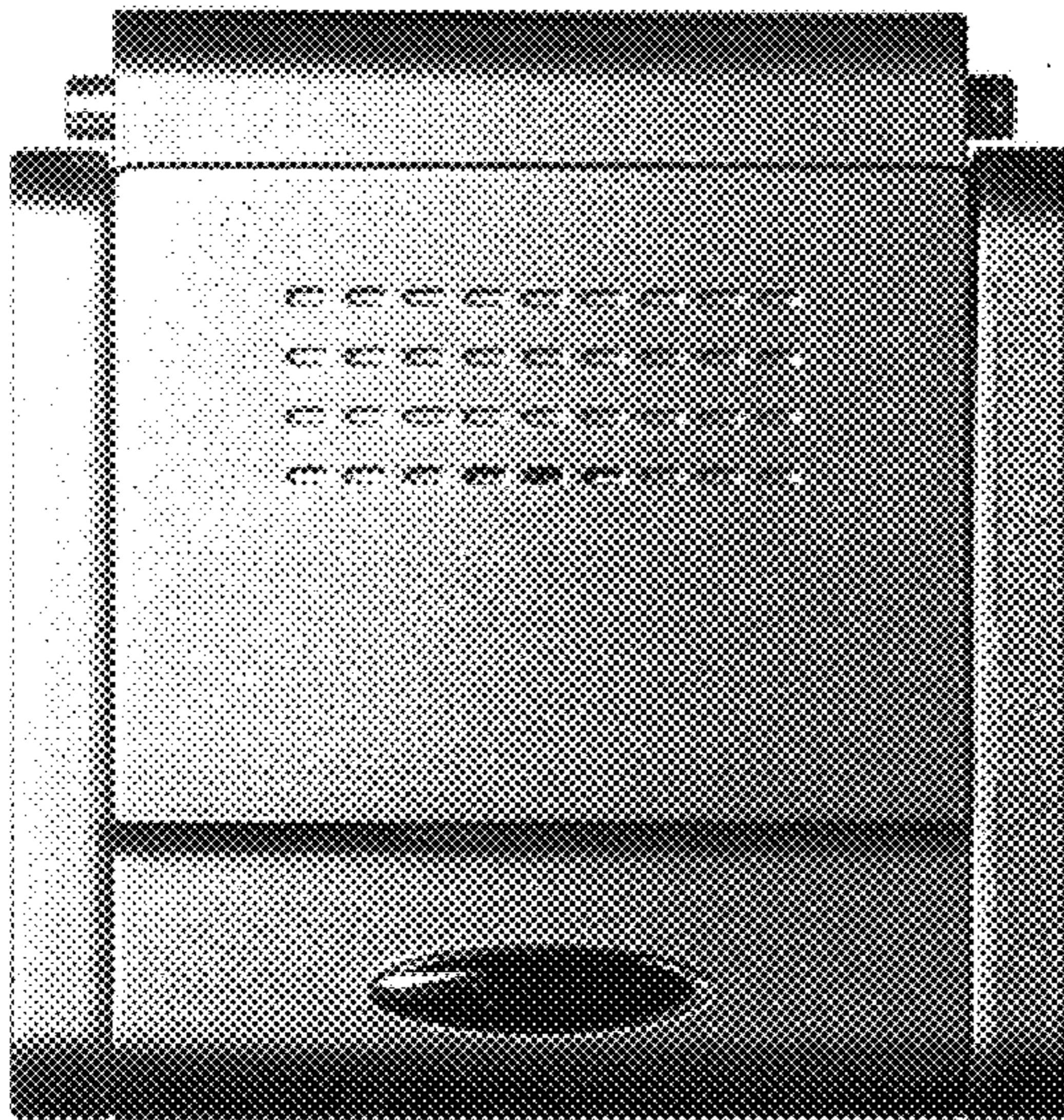


Fig. 12

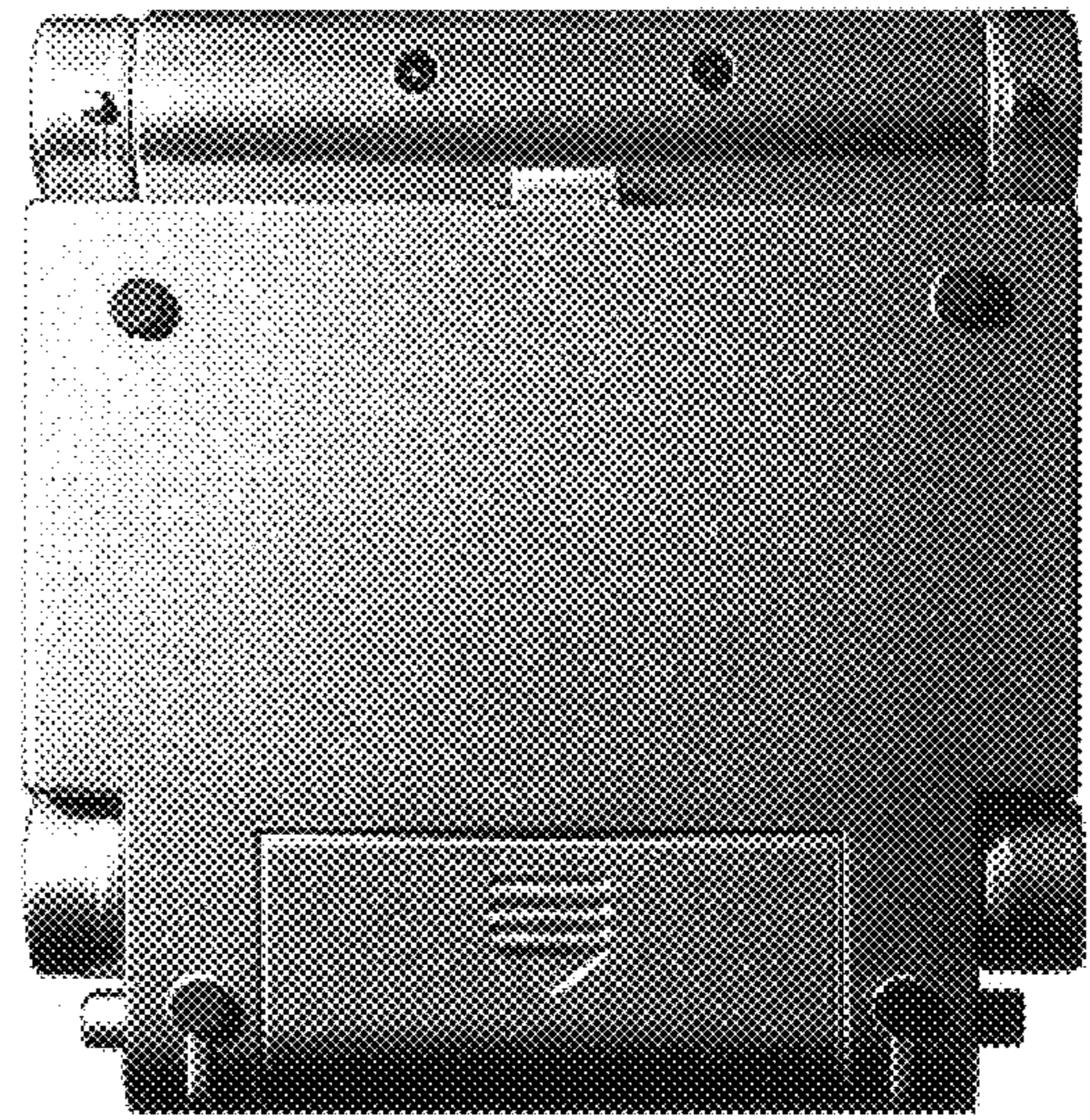


Fig. 8

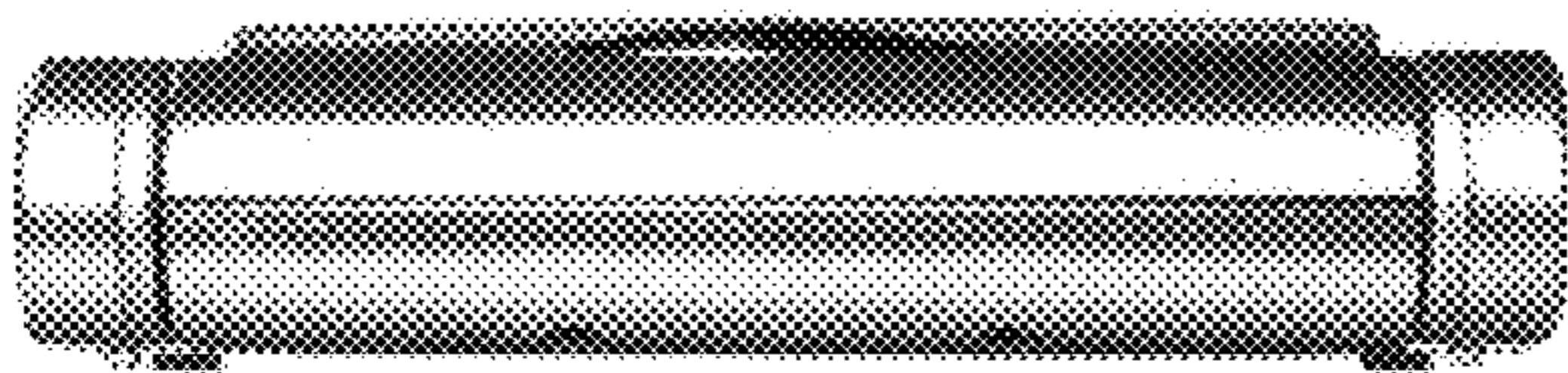


Fig. 10

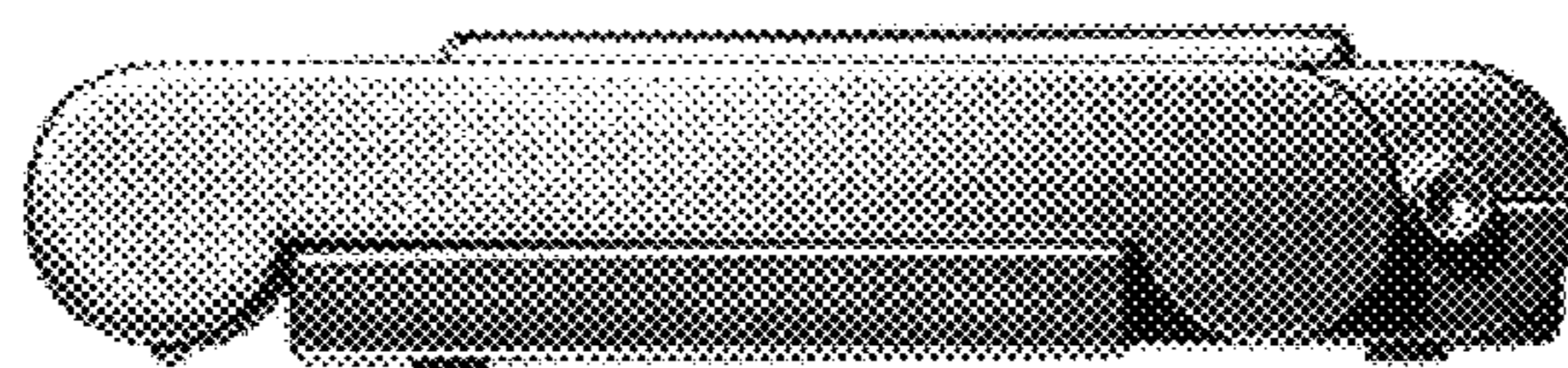


Fig. 9