



US00D449003B1

(12) **United States Design Patent**  
**Hessabi**

(10) **Patent No.:** **US D449,003 S**

(45) **Date of Patent:** **\*\* Oct. 9, 2001**

(54) **DESK CLOCK**

(76) **Inventor:** **Iradj Hessabi**, 2437 Ping Dr.,  
Henderson, NV (US) 89014-8314

(\*\*) **Term:** **14 Years**

(21) **Appl. No.:** **29/111,613**

(22) **Filed:** **Sep. 29, 1999**

(51) **LOC (7) Cl.** ..... **10-01**

(52) **U.S. Cl.** ..... **D10/2; D10/15**

(58) **Field of Search** ..... **D10/1-40, 122-132;**  
**368/10, 276, 277, 285, 316-317; D19/23,**  
**80**

European Jewler Dec. 1980, p. 116, #1, clock shown therein.\*

Electrical Manufacturing, Apr. 1937, p. 66, desk clock at top right.\*

\* cited by examiner

*Primary Examiner*—Jeffrey Asch

(74) *Attorney, Agent, or Firm*—Kenehan & Lambertsen,  
Ltd.; John C. Lambertsen

(57) **CLAIM**

The ornamental design for a desk clock, as shown and described.

(56) **References Cited**

**U.S. PATENT DOCUMENTS**

D. 78,455	*	5/1929	Eggersten	.....	D19/80
D. 240,858	*	8/1976	Taguchi	.....	D10/15 X
D. 247,551	*	3/1978	Liberman	.....	D10/15
D. 250,201	*	11/1978	Pierce	.....	D19/23
D. 263,934	*	4/1982	Fuerneisen	.....	D10/2
D. 268,011	*	2/1983	Bryk et al.	.....	D10/15
D. 271,566	*	11/1983	Powell	.....	D10/2
D. 274,703	*	7/1984	Vogel	.....	D10/15
D. 298,414	*	11/1988	Dawson, Jr.	.....	D10/15
D. 302,528	*	8/1989	Ritchie	.....	D10/15
D. 333,790	*	3/1993	Cunningham	.....	D10/2

**OTHER PUBLICATIONS**

Hong Kong Enterprise Jun. 1984, p. 210.\*

HFD, Mar. 1984, p. 92, Kovacs Design Group digital clock.\*

**DESCRIPTION**

FIG. 1 is a front elevation view of a desk clock showing my new design, the indicated time being shown in broken lines for illustrative purposes only and forms no part of the claimed design;

FIG. 2 is a side elevation view of a first side thereof;

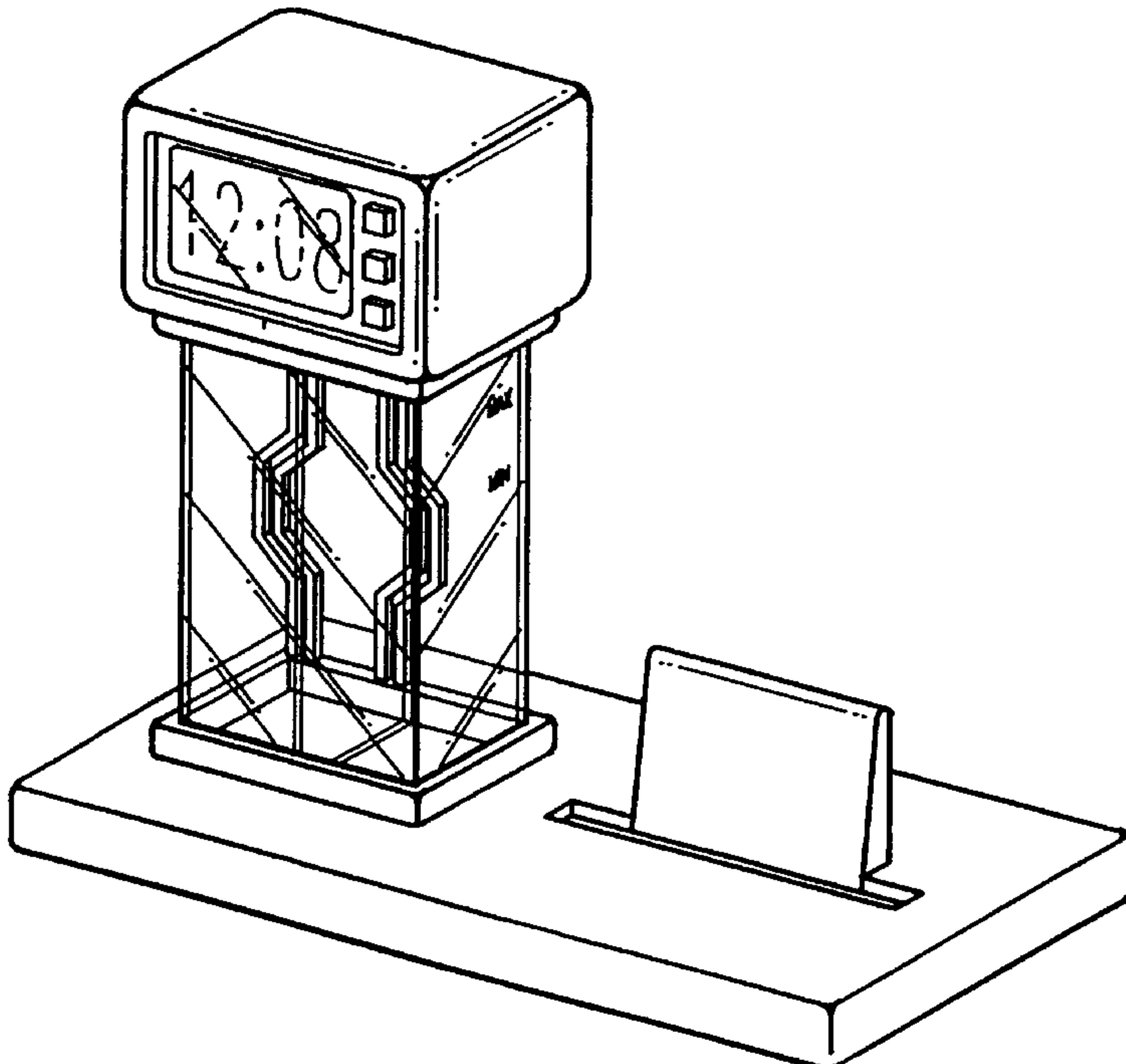
FIG. 3 is a side elevation view of a second side thereof;

FIG. 4 is a rear elevation view thereof;

FIG. 5 is front perspective view showing the desk clock of FIG. 1, the indicated time being shown in broken lines for illustrative purposes only and forms no part of the claimed design; and,

FIG. 6 is a rear perspective view thereof.

**1 Claim, 3 Drawing Sheets**



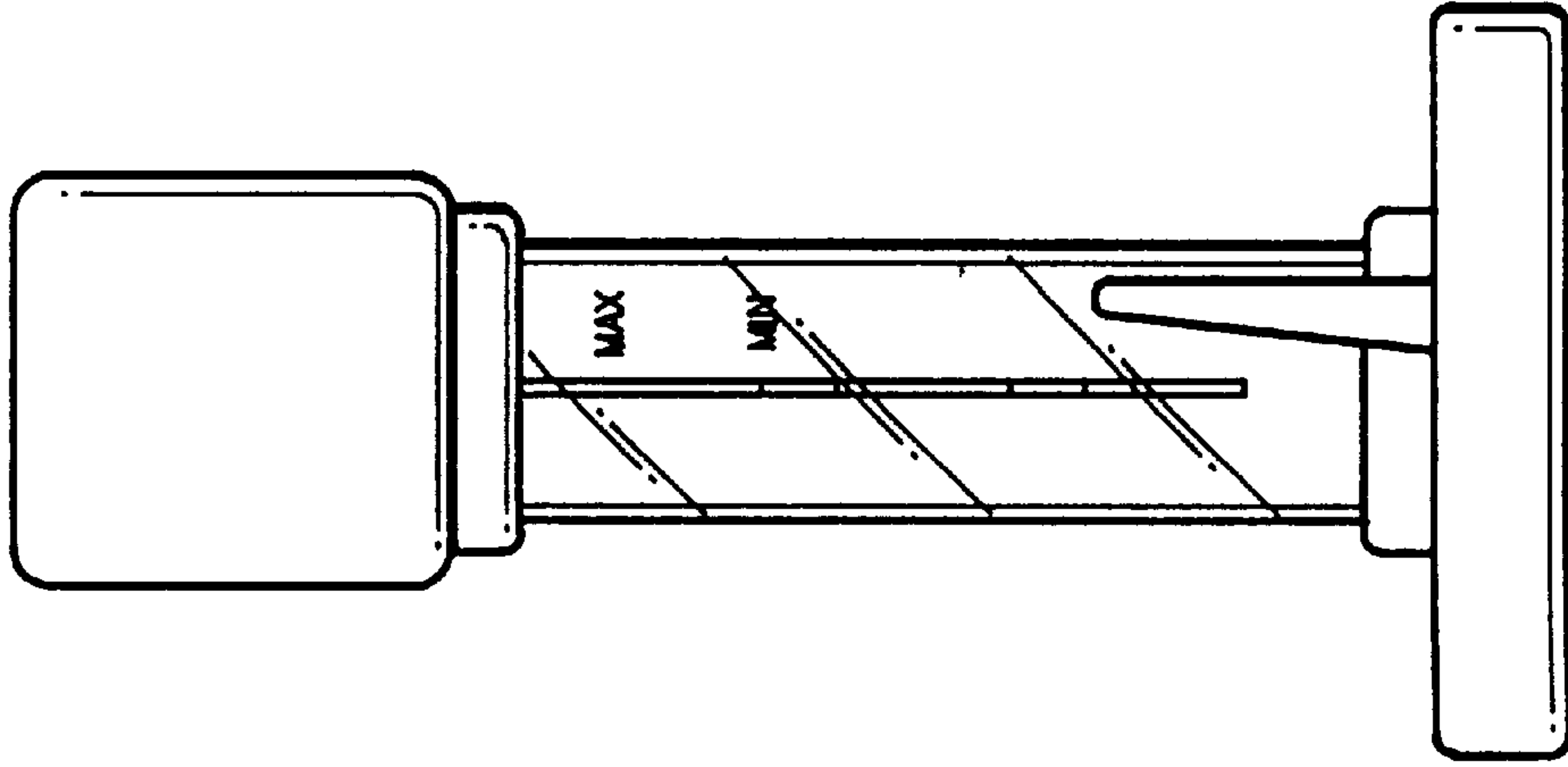


FIG. 2

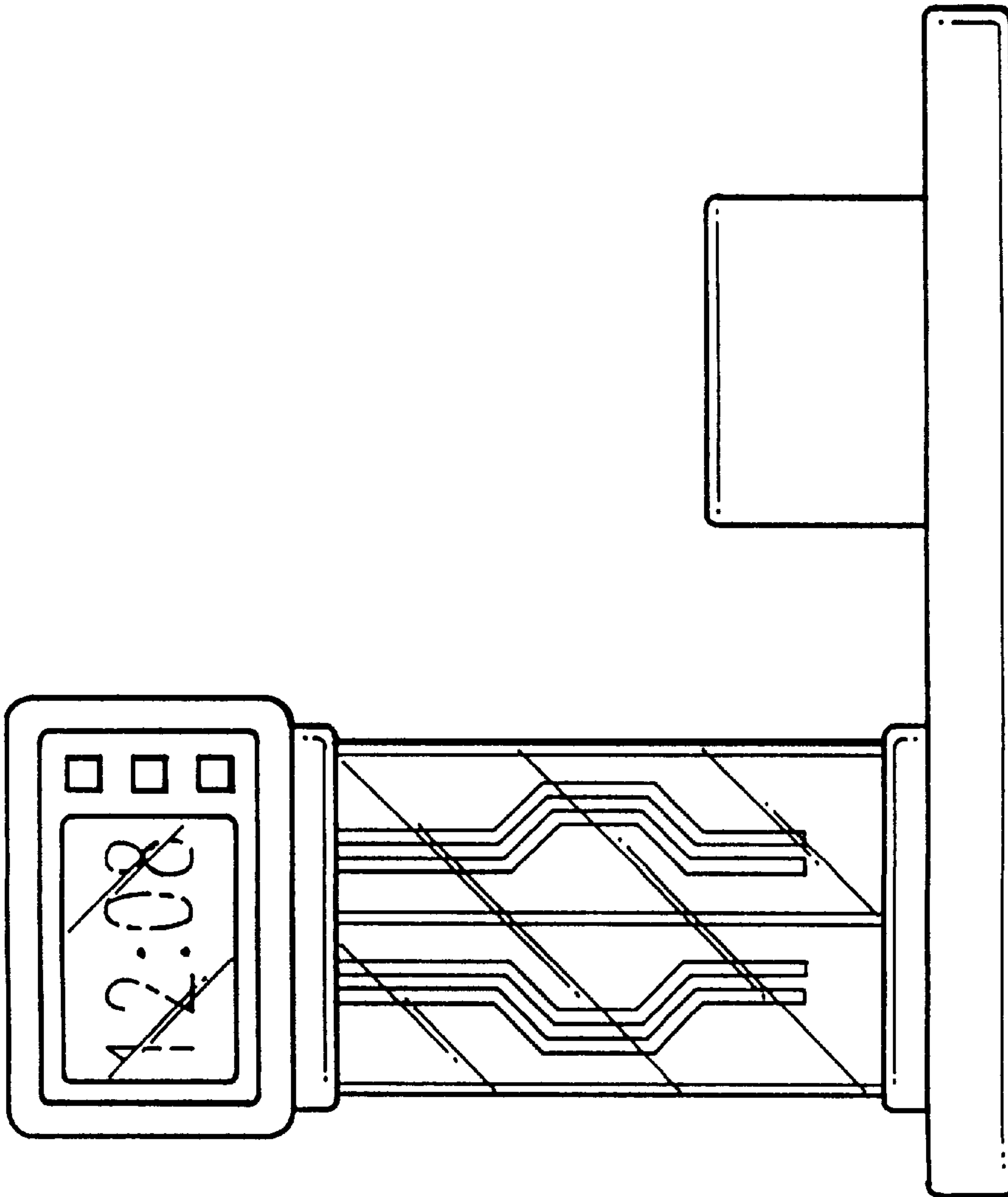


FIG. 1

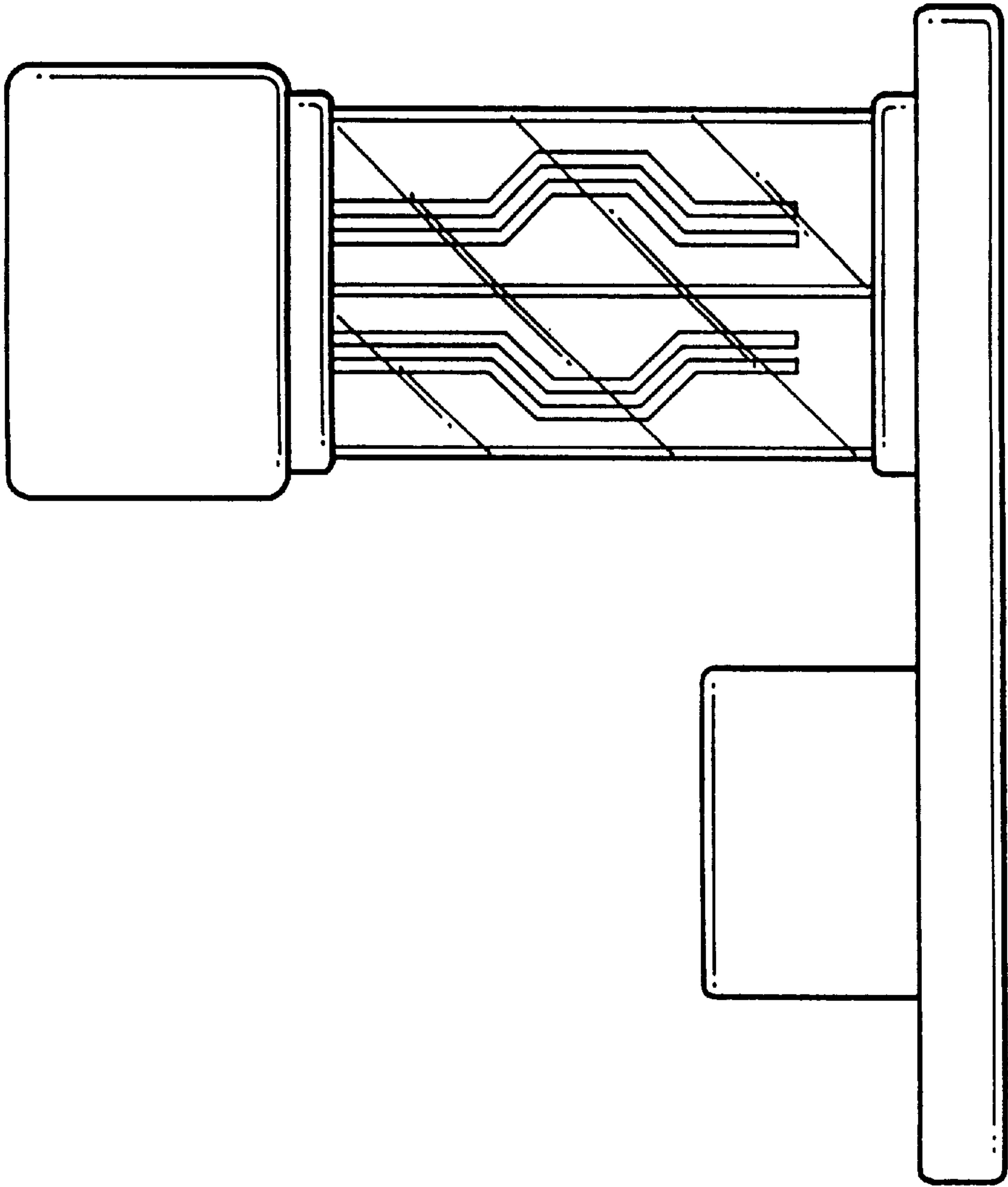


FIG. 4

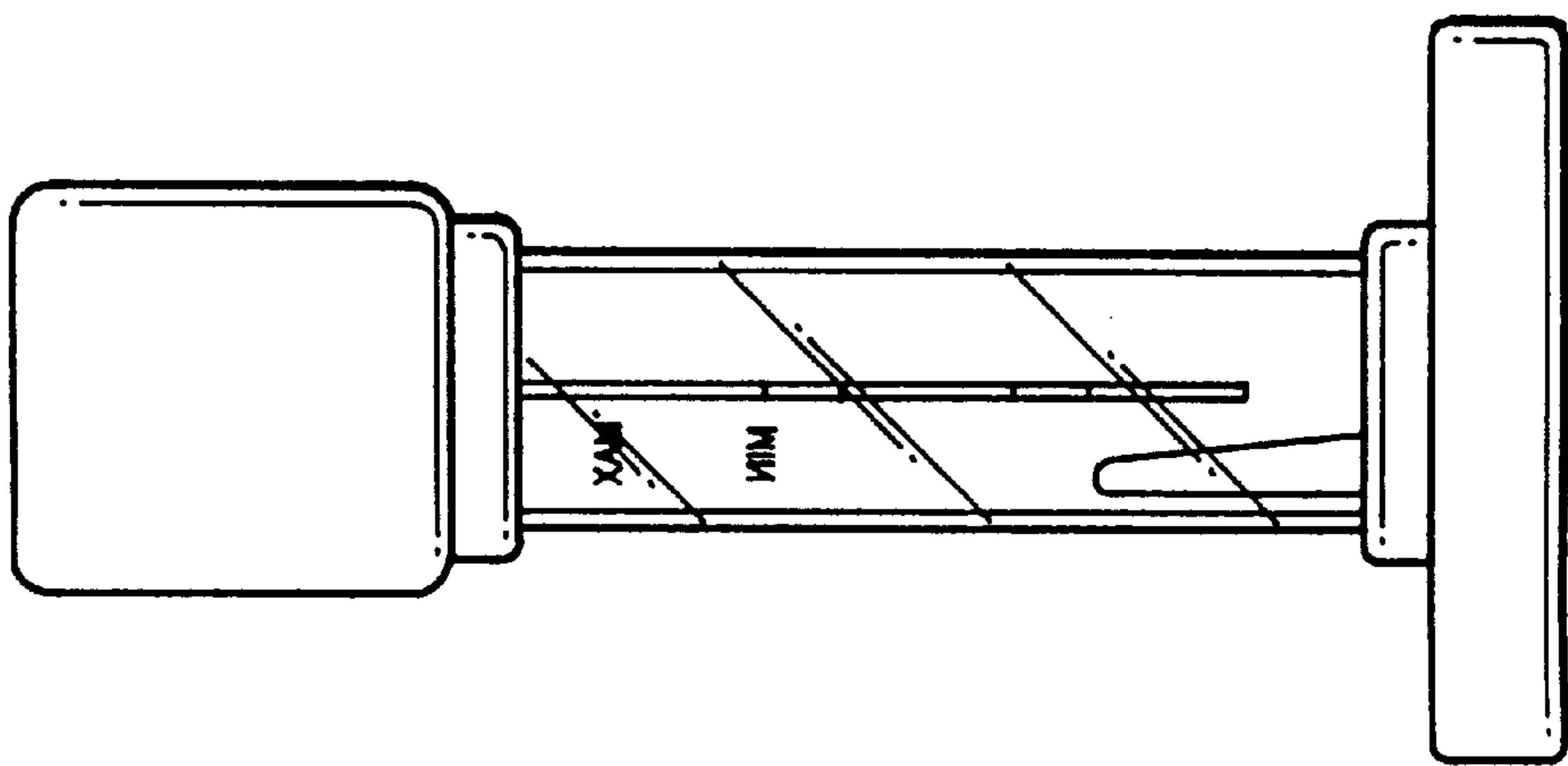


FIG. 3

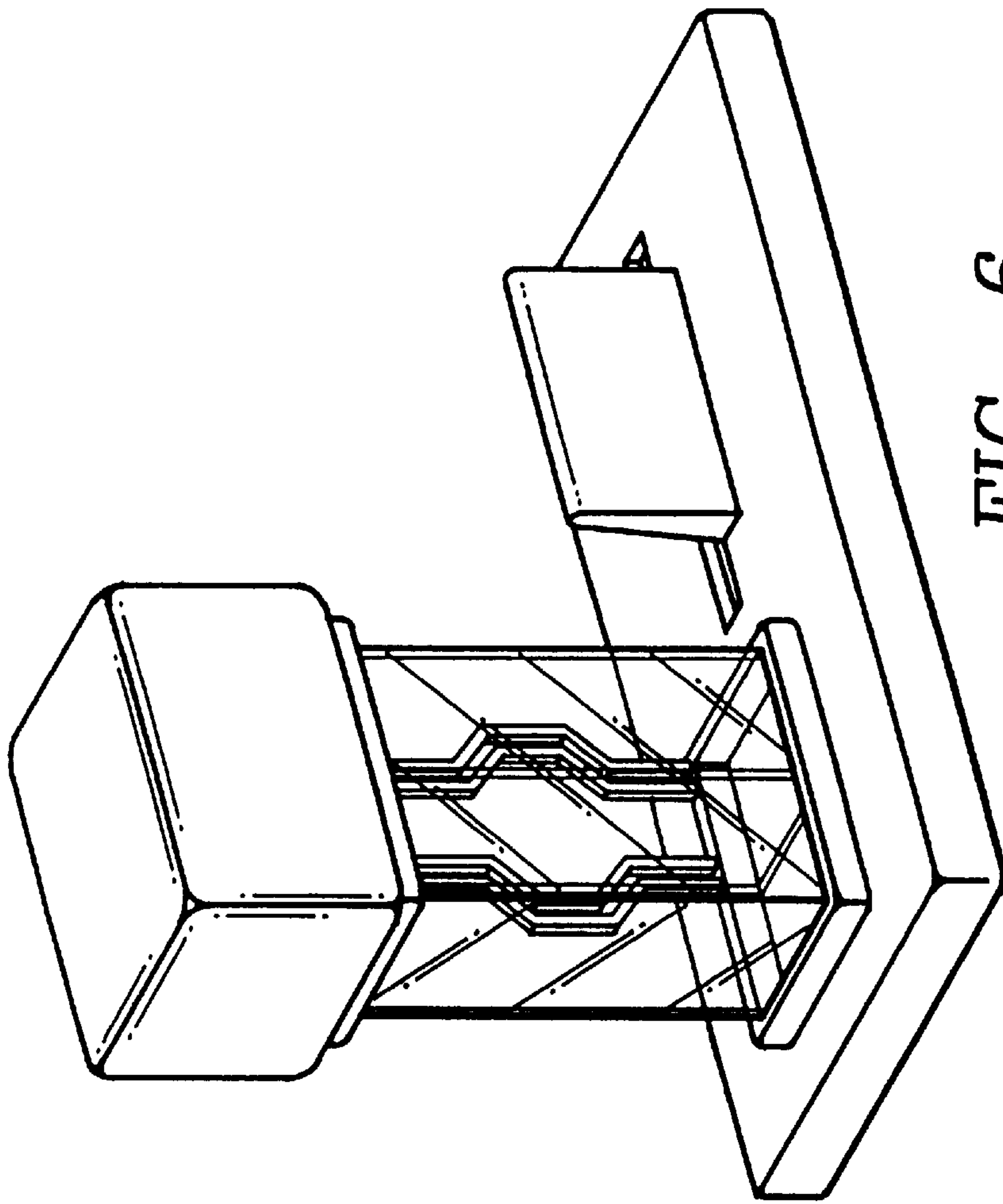


FIG. 6

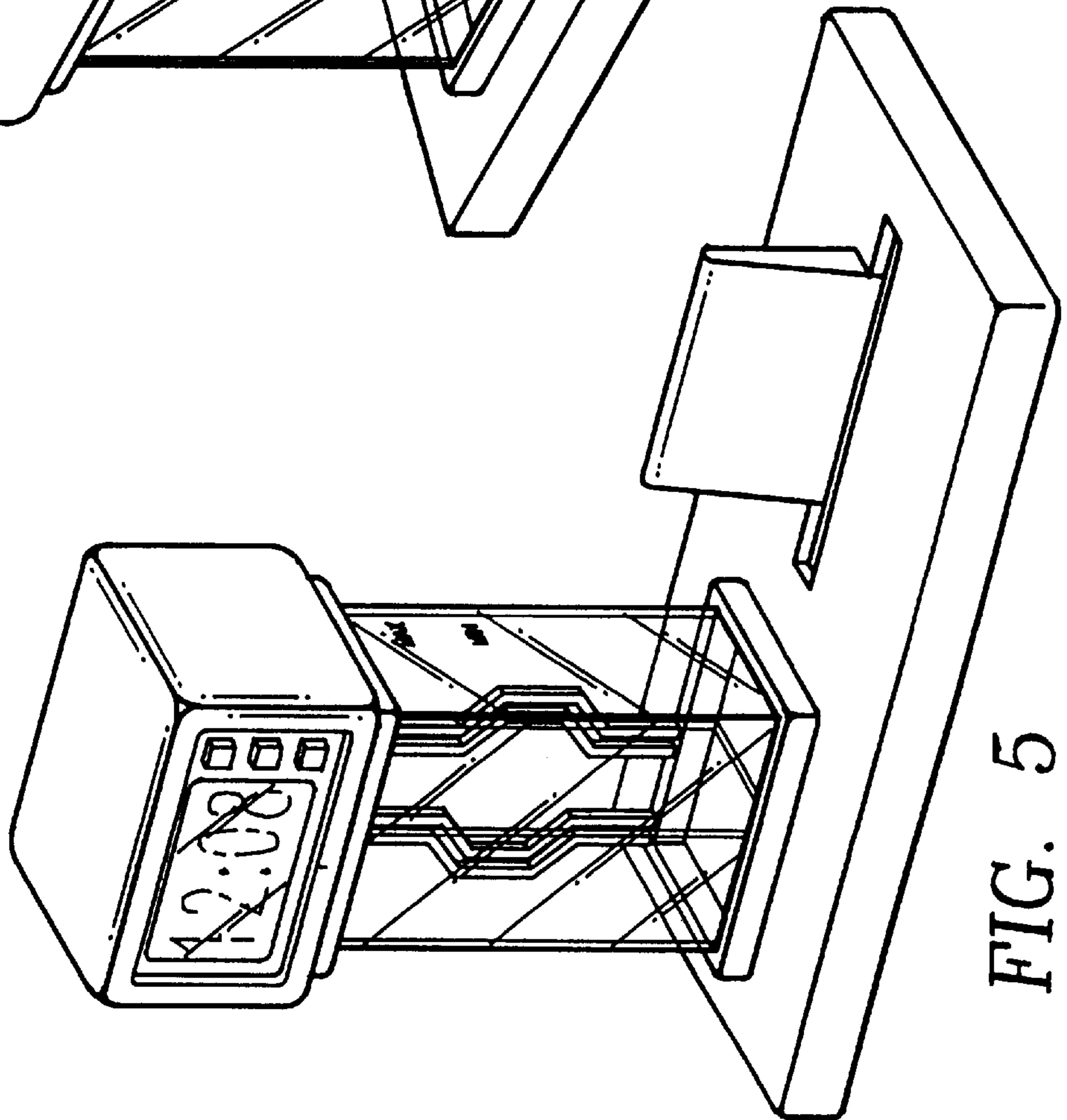


FIG. 5