



US00D448995B1

(12) **United States Design Patent**  
**McDonald**

(10) **Patent No.:** **US D448,995 S**

(45) **Date of Patent:** **\*\* Oct. 9, 2001**

(54) **COMBINED LID AND HANDLE FOR A CAN**

4,832,231 \* 5/1989 Kolody ..... 222/144.5

4,930,687 \* 6/1990 Brindopke et al. .... 222/475.1

5,224,634 \* 7/1993 Graham ..... 222/475.1

(76) Inventor: **Robert McDonald**, 241 Ridge St., 4th Floor, P.O. Box 2670, Reno, NV (US) 89505-2670

\* cited by examiner

(\*\*) Term: **14 Years**

*Primary Examiner*—Cathron C. Brooks  
(74) *Attorney, Agent, or Firm*—Sughrue, Mion, Zinn, Macpeak & Seas, PLLC

(21) Appl. No.: **29/134,684**

(57) **CLAIM**

(22) Filed: **Dec. 29, 2000**

The ornamental design for a combined lid and handle for a can, as shown and described.

(51) **LOC (7) Cl.** ..... **09-07**

(52) **U.S. Cl.** ..... **D9/449**; D9/443; D9/447; D7/319

**DESCRIPTION**

(58) **Field of Search** ..... D9/435, 436, 443, D9/447, 449; D7/316–319, 392, 622; 215/386, 395, 396, 228; 220/212, 694, 737, 740, 741, 742

FIG. 1 is a perspective view of the top, front and one side of a combined lid and handle for a can showing my new design; FIG. 2 is a front elevation view thereof; FIG. 3 is a rear elevation view thereof; FIG. 4 is a left side elevational view thereof; FIG. 5 is a right side elevational view thereof; FIG. 6 is a top plan view thereof; FIG. 7 is a bottom plan view thereof; FIG. 8 is a perspective view similar to FIG. 1 with the pivotal lid pivoted to an open position; FIG. 9 is a perspective view of a second embodiment of the combined lid and handle for a can, the sole difference residing in the top surface aperture and in the hinge; and, FIG. 10 is a perspective view similar to FIG. 9, with the slide in an open position.

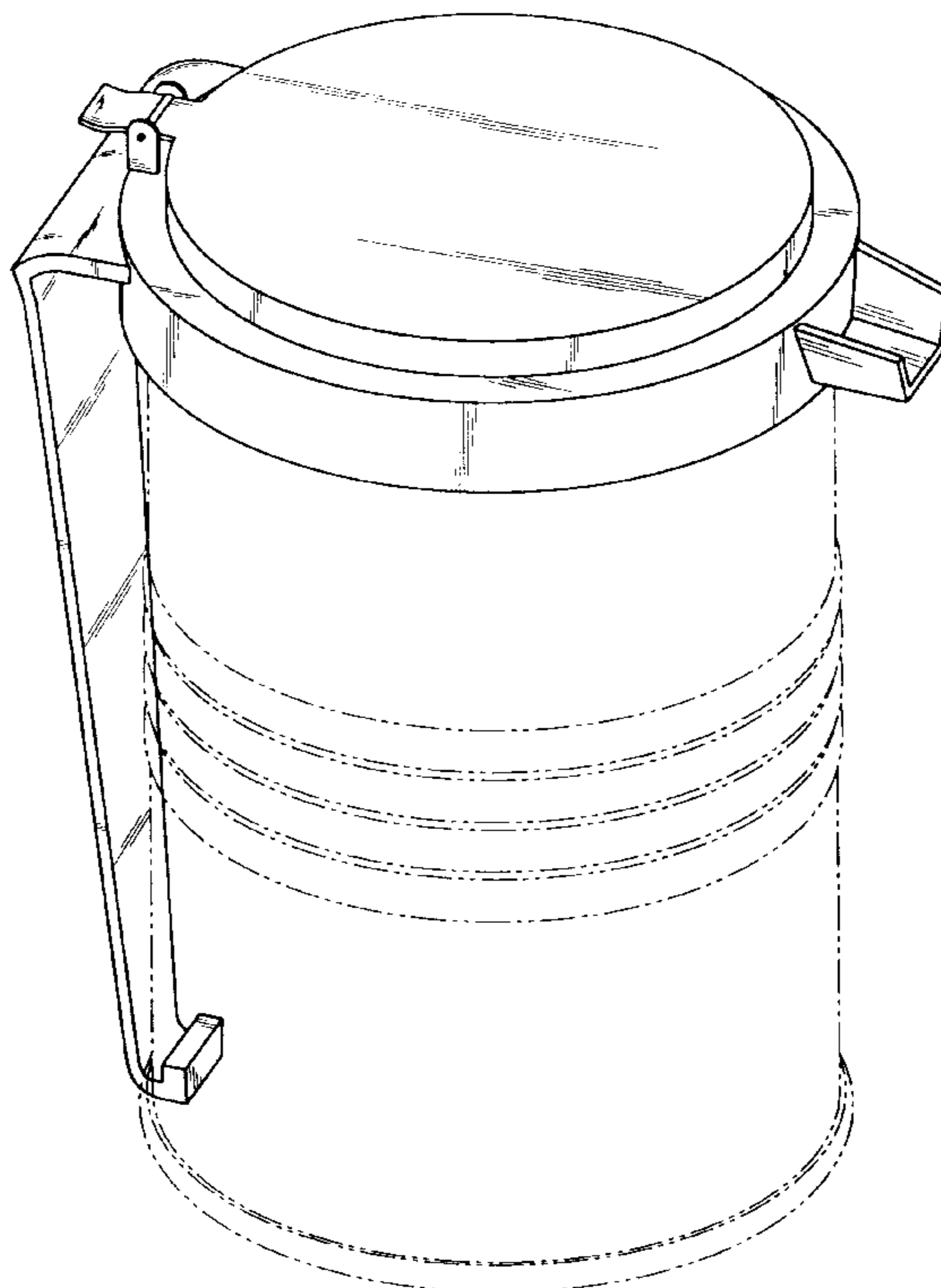
(56) **References Cited**

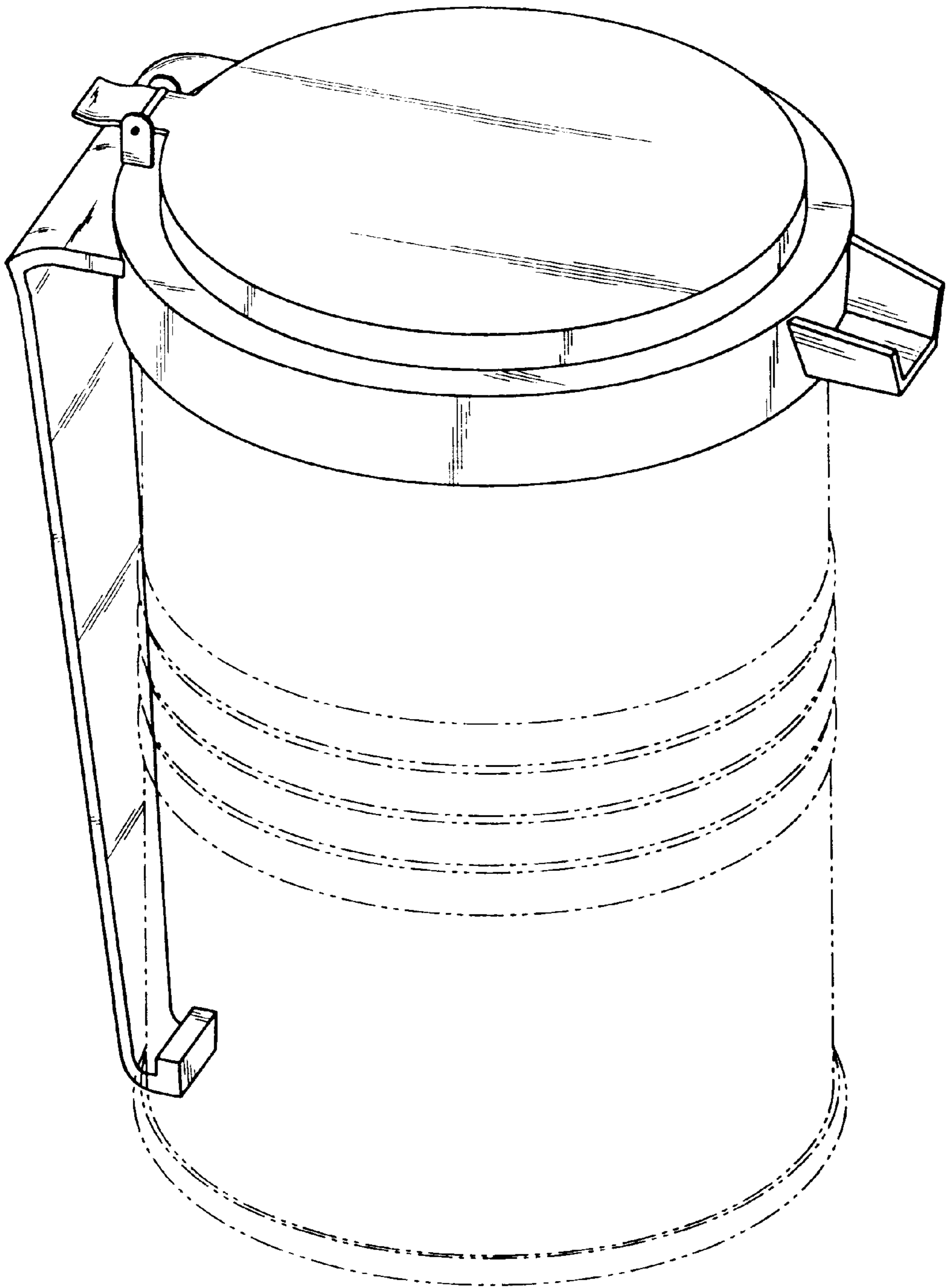
**U.S. PATENT DOCUMENTS**

- D. 128,618 \* 8/1941 Brickley ..... D7/392
- D. 245,672 \* 9/1977 Grantham ..... D9/447
- D. 247,211 \* 2/1978 Young ..... D7/392
- D. 258,712 \* 3/1981 Jacobson ..... D7/317
- D. 341,318 \* 11/1993 Brown ..... D9/447
- D. 384,557 \* 10/1997 Goza ..... D7/622
- D. 389,005 \* 1/1998 Brady ..... D7/319
- D. 395,784 \* 7/1998 Michaeli ..... D7/319
- 3,130,856 \* 4/1964 Gits ..... 220/769
- 3,252,632 \* 5/1966 Hagenes ..... D9/449 X
- 3,558,023 \* 1/1971 Yoshito ..... 222/556
- 4,492,323 \* 1/1985 Essen ..... 222/465.1

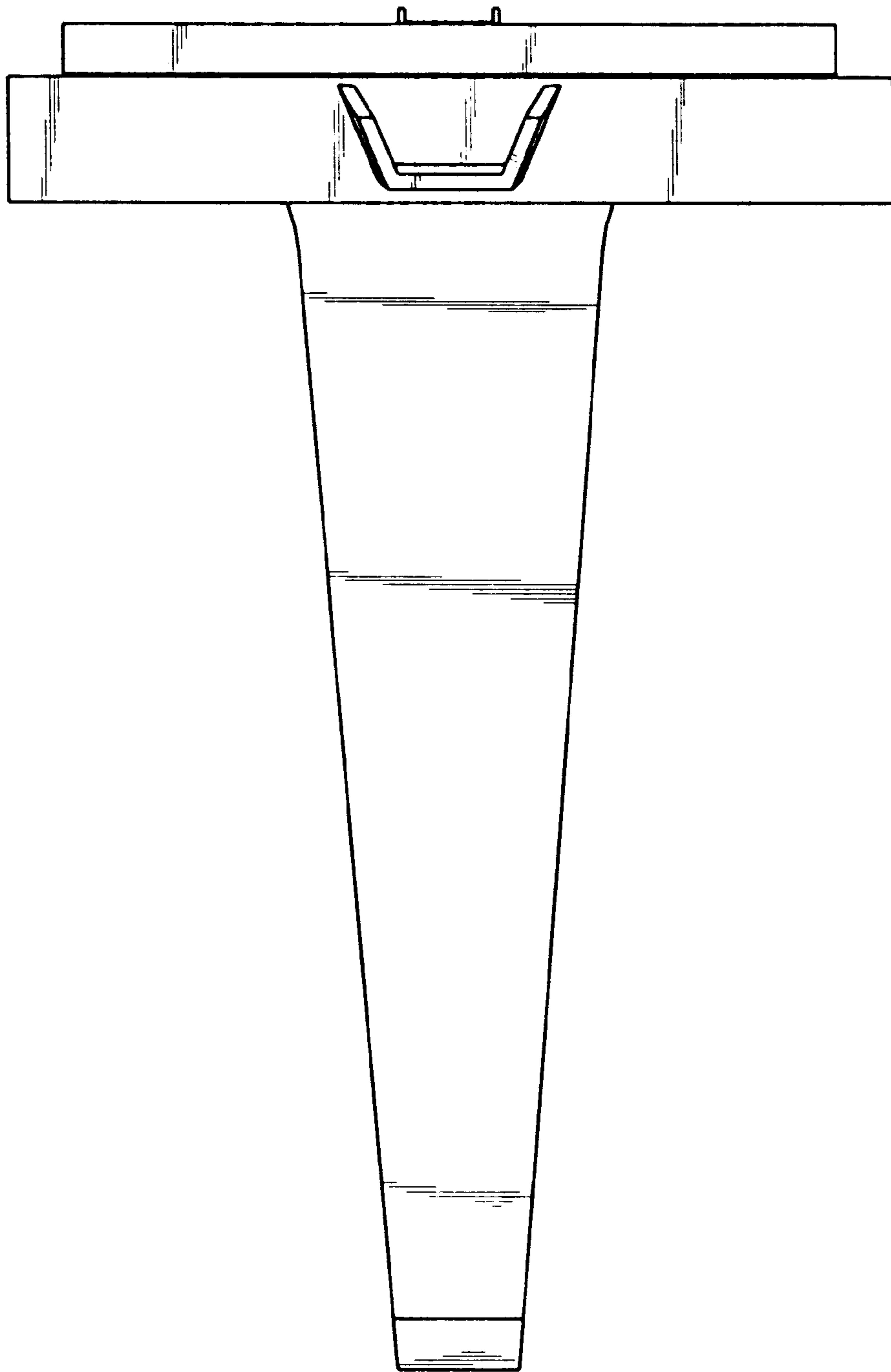
The broken line showing of a can is for illustrative purposes only and forms no part of the claimed design.

**1 Claim, 9 Drawing Sheets**

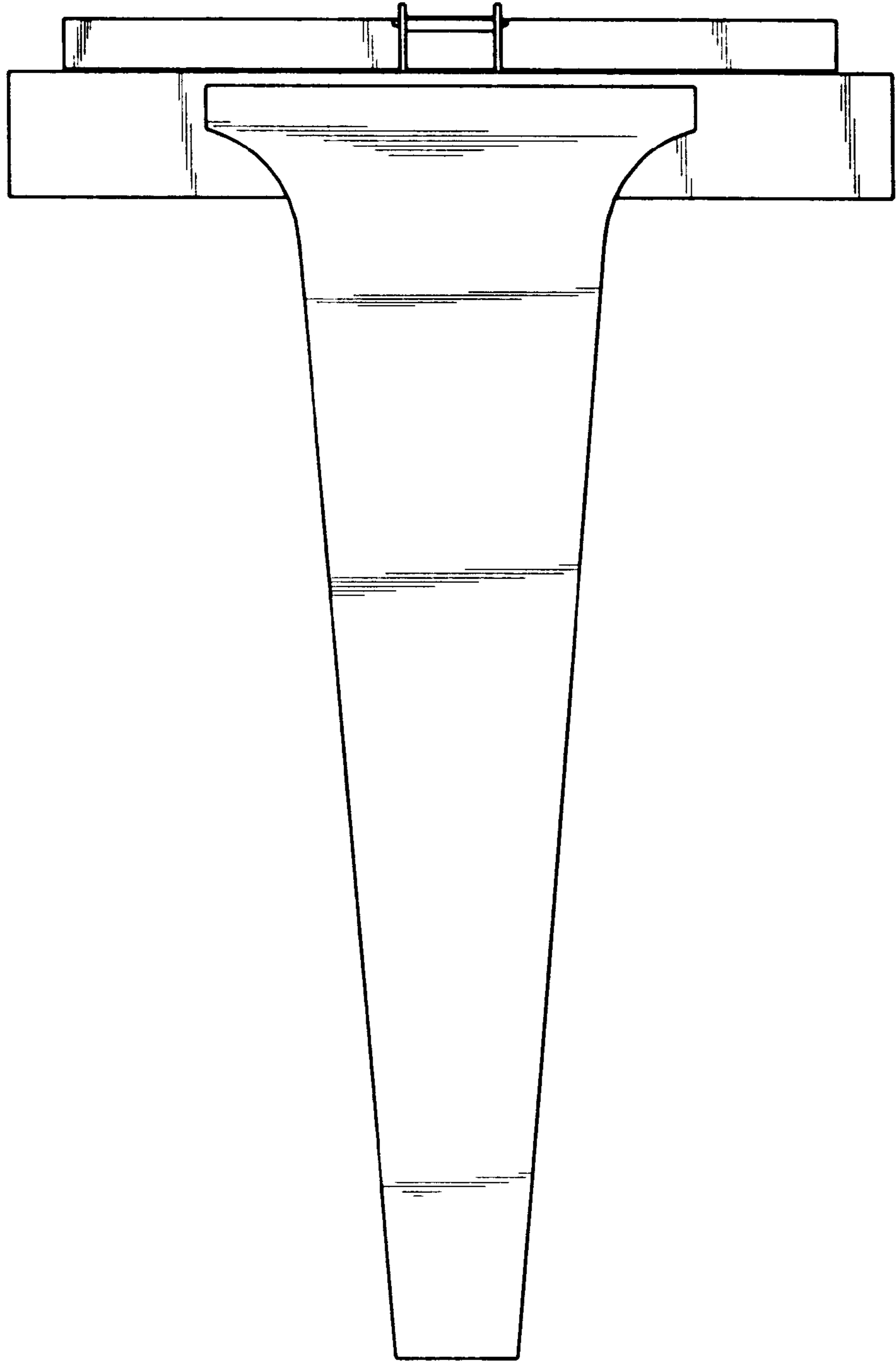




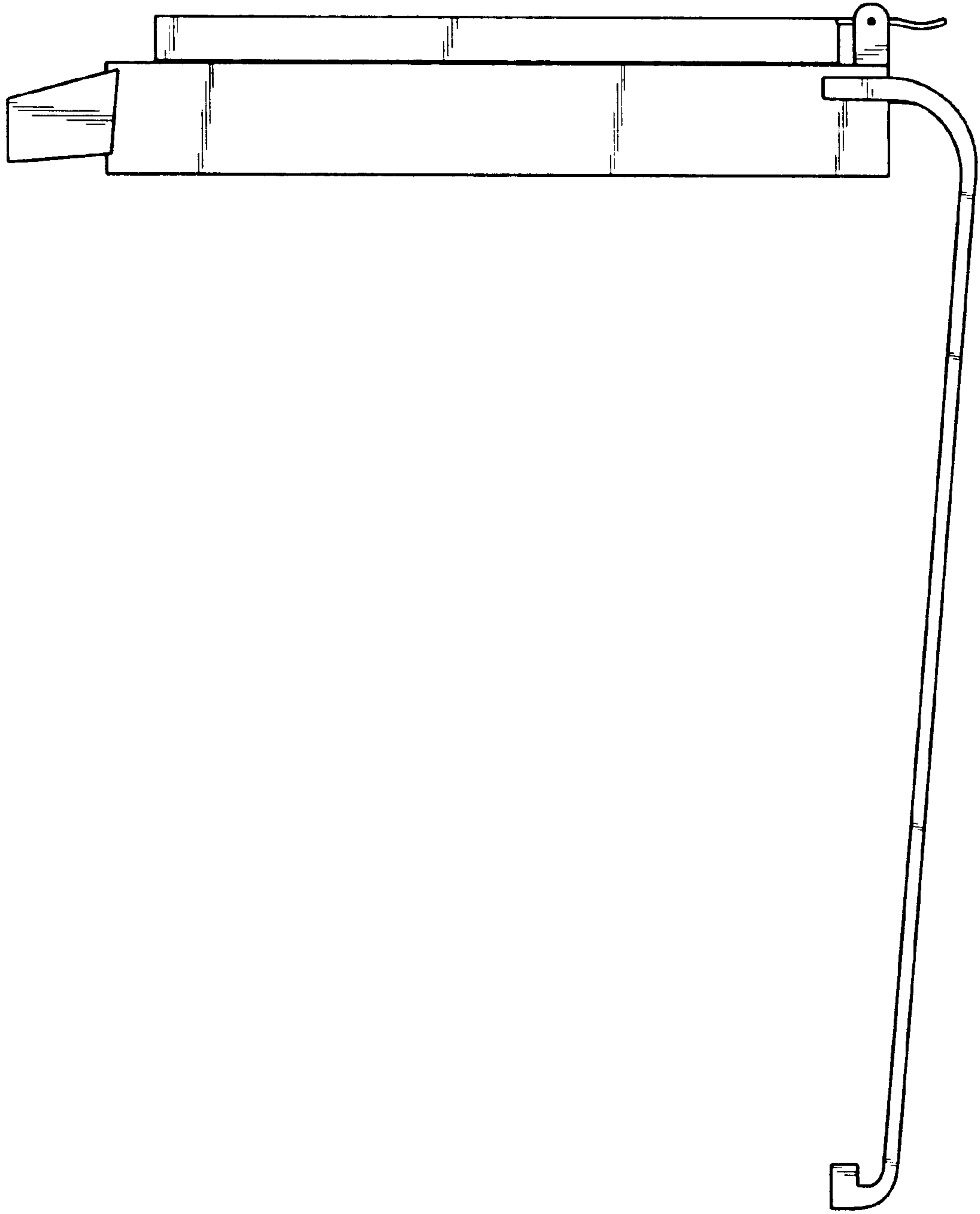
*Fig. 1*



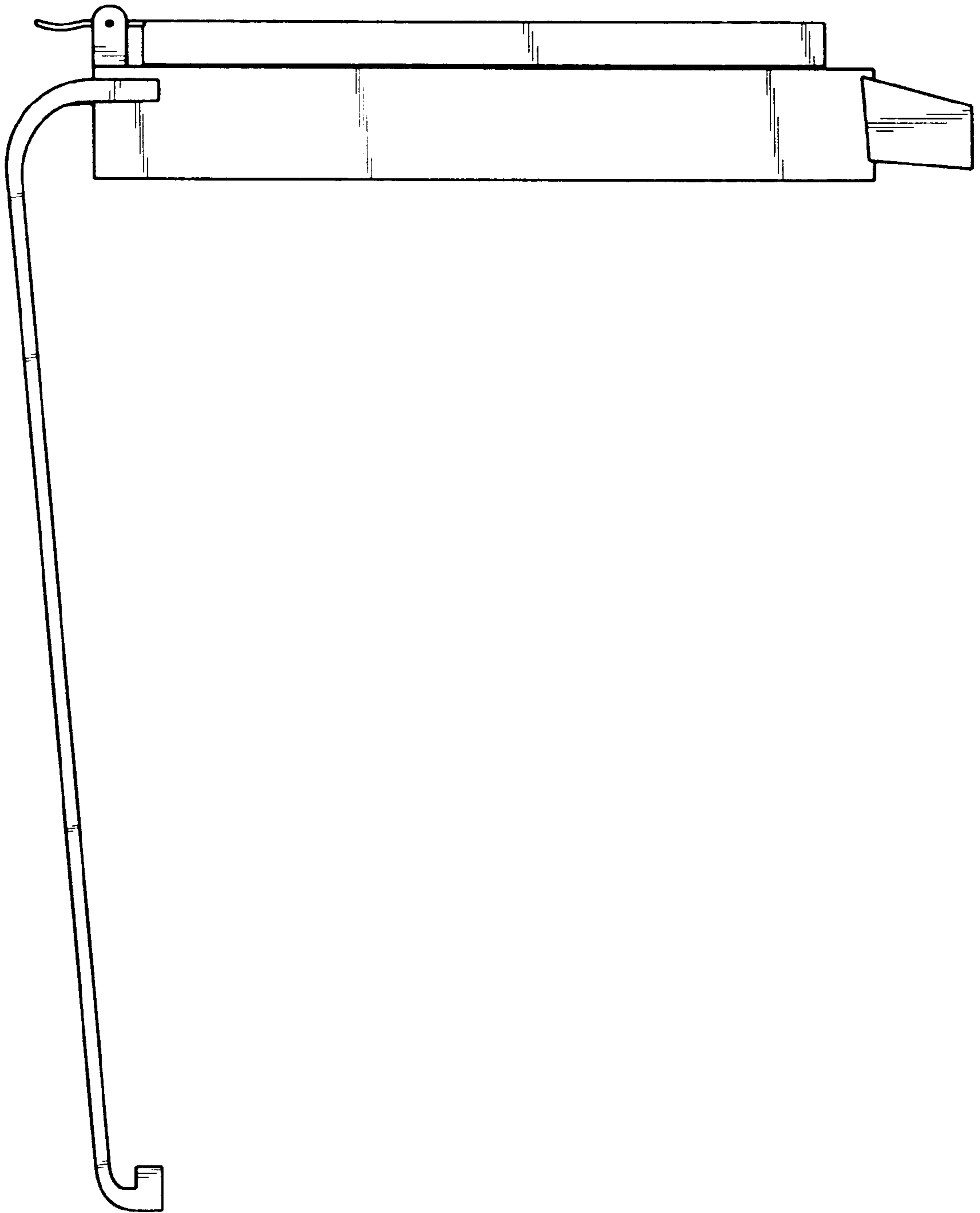
*Fig. 2*



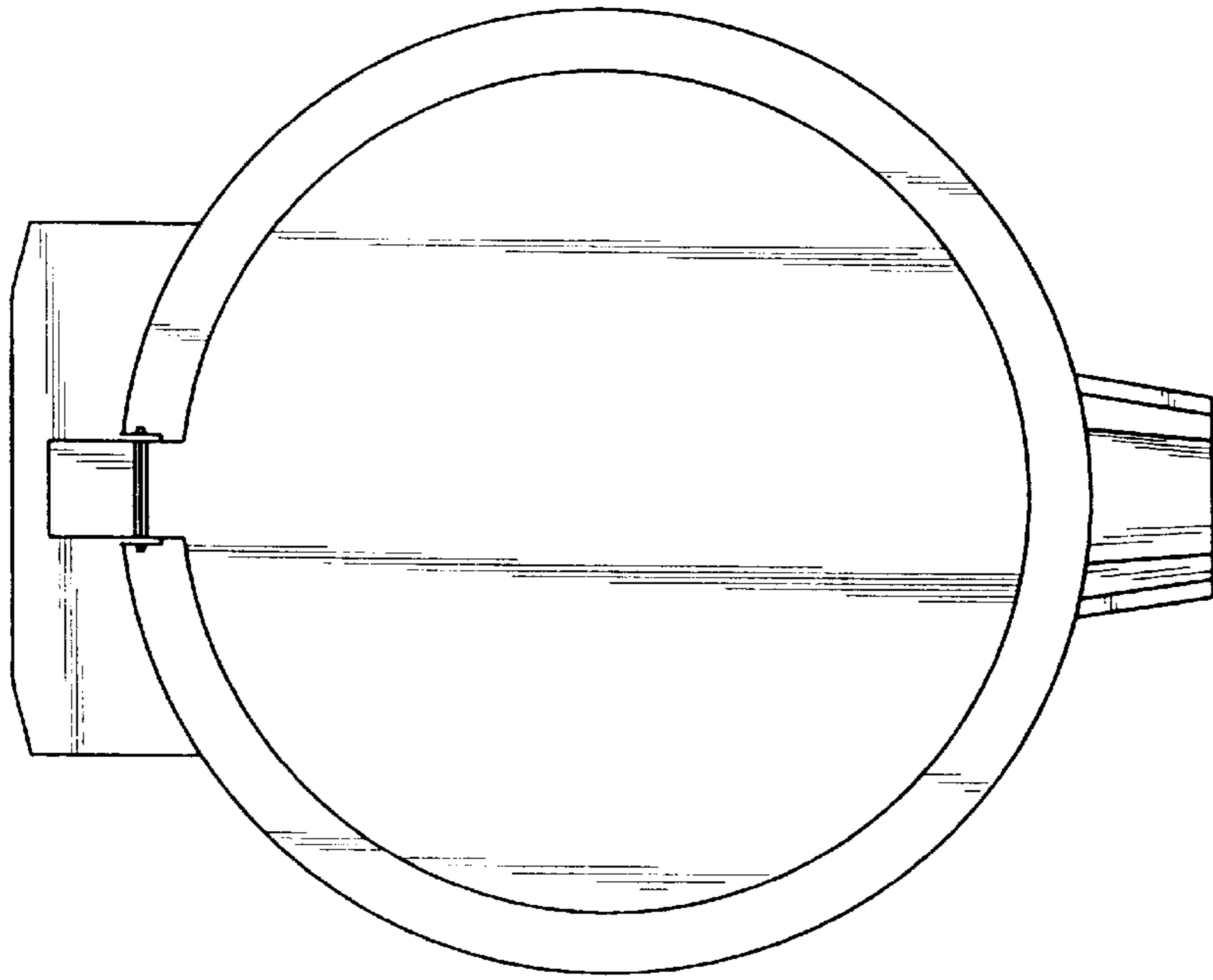
*Fig. 3*



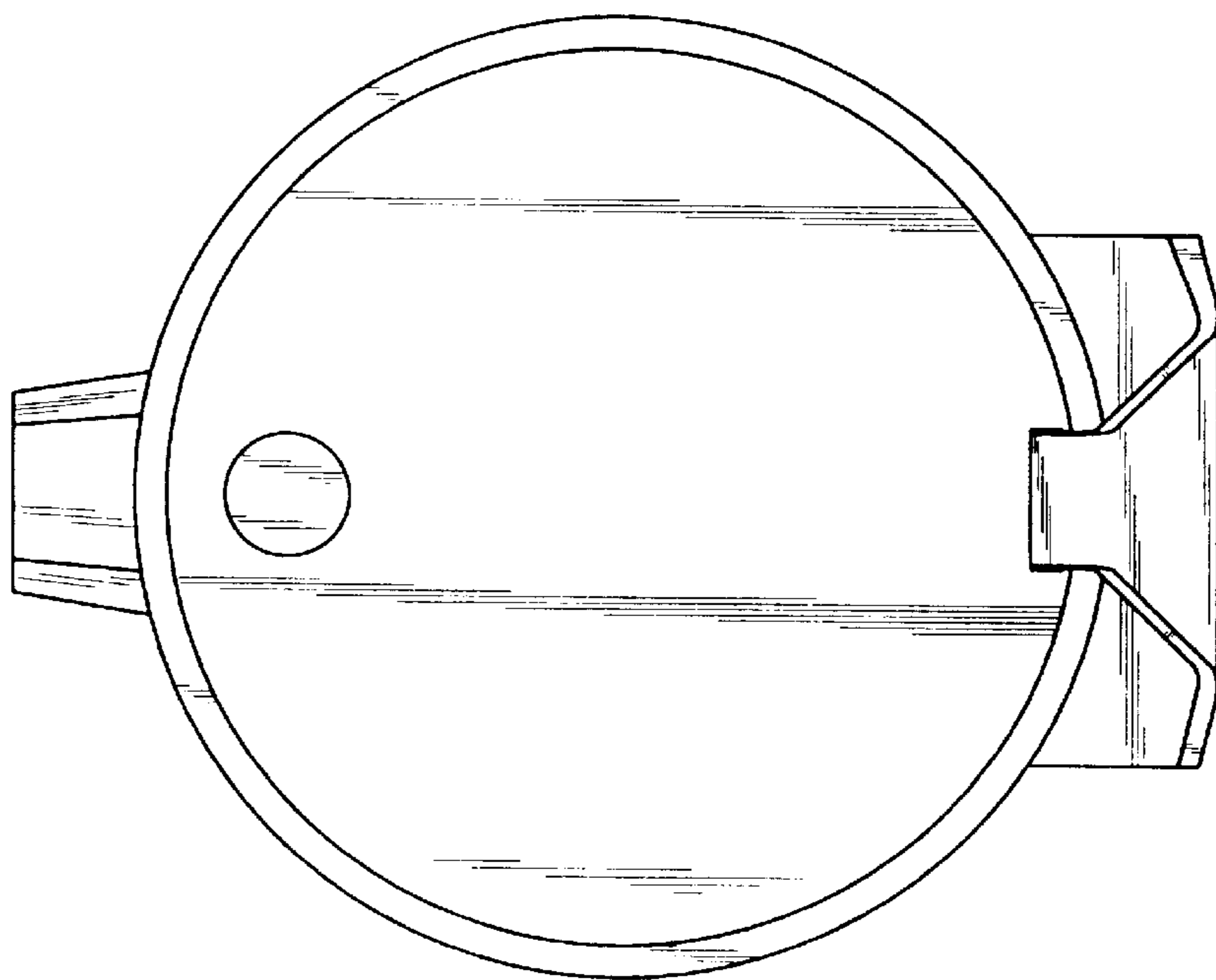
*Fig. 4*



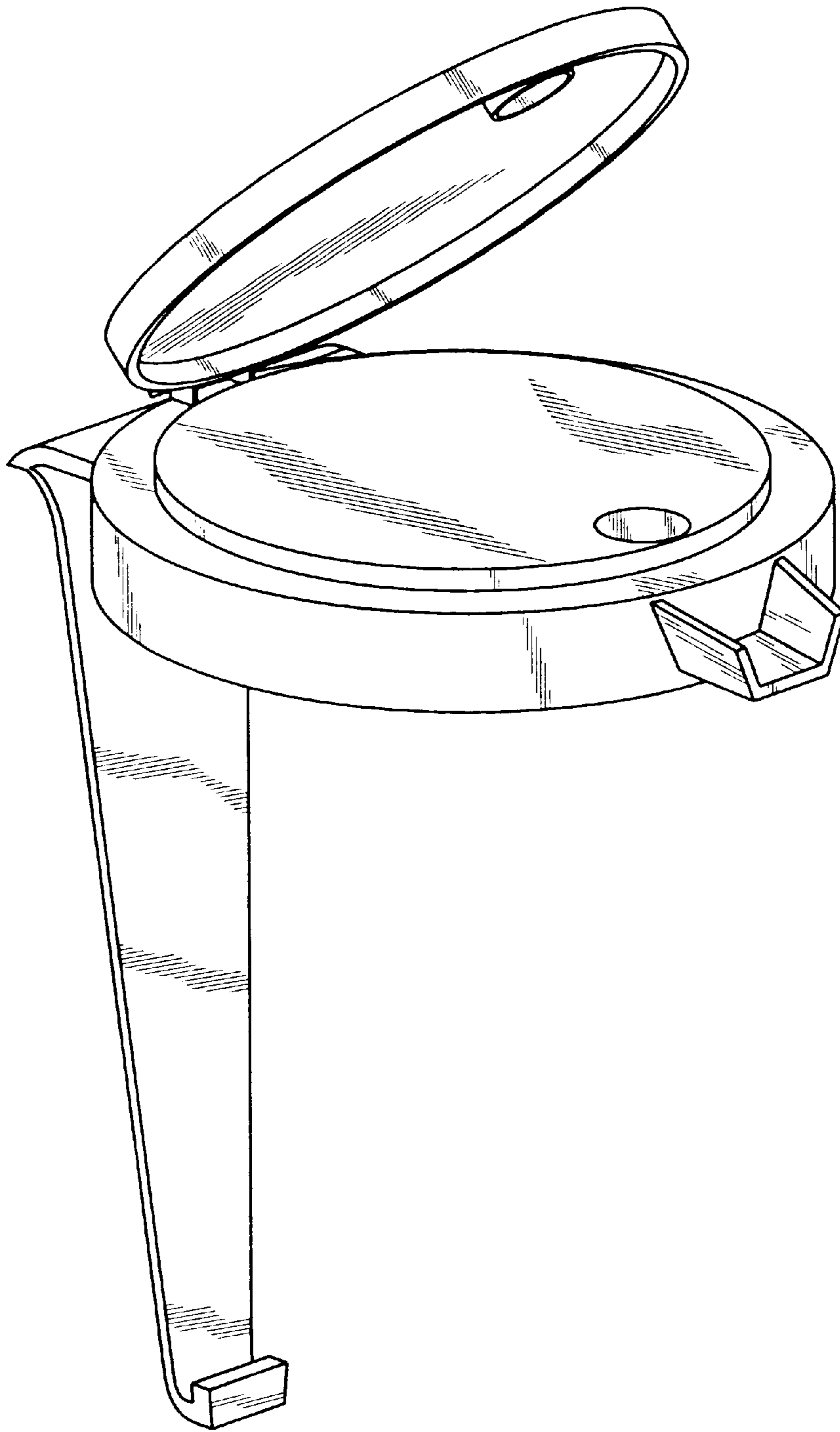
*Fig. 5*



*Fig. 6*

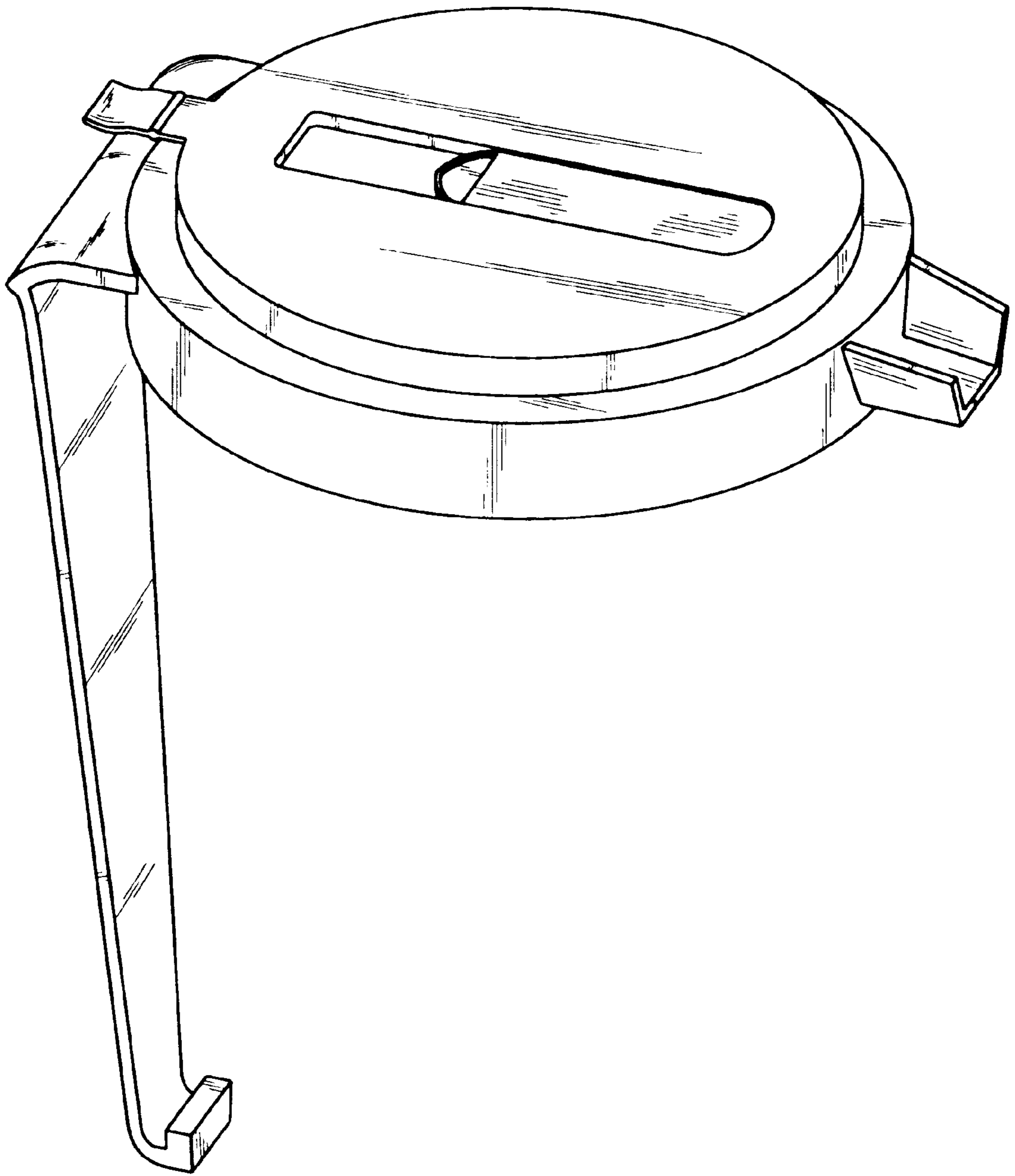


*Fig. 7*

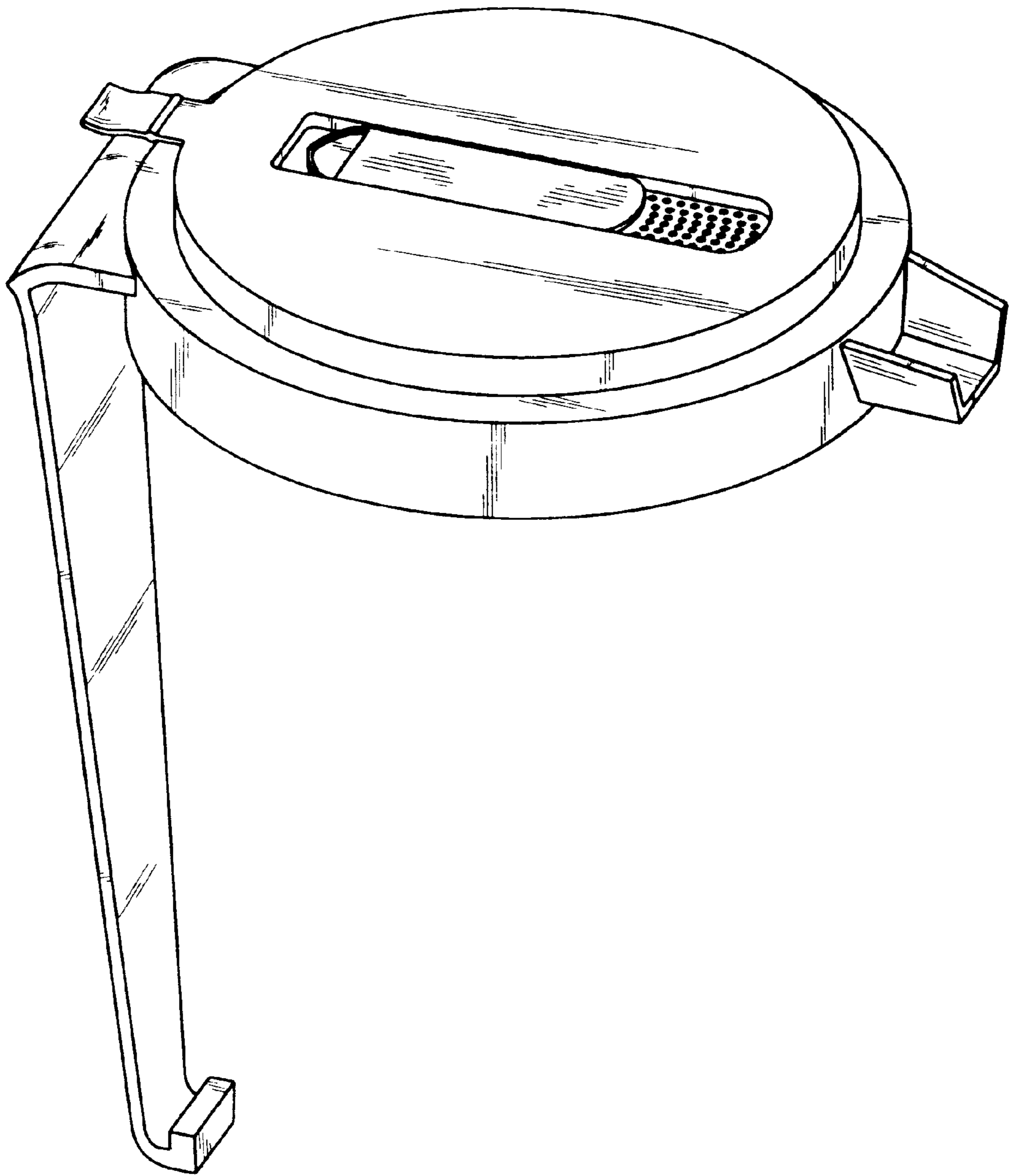


*Fig. 8*





*Fig. 9*



*Fig. 10*