



US00D448990B1

(12) **United States Design Patent**
Sorensen et al.

(10) **Patent No.:** **US D448,990 S**

(45) **Date of Patent:** **** Oct. 9, 2001**

(54) **POP-UP FOOD TRAY FOR COMBINATION MEALS**

(76) Inventors: **Bradford T. Sorensen**, 786 Ridge Dr., Glendale, CA (US) 91206; **Marcia G. Miller**, 3464 Meler, Los Angeles, CA (US) 90066

(**) Term: **14 Years**

(21) Appl. No.: **29/123,168**

(22) Filed: **May 11, 2000**

(51) **LOC (7) Cl.** **09-03**

(52) **U.S. Cl.** **D9/346**

(58) **Field of Search** D9/337, 341, 345-348, D9/414-416, 430-433; 206/562-564; 229/904

(56) **References Cited**

U.S. PATENT DOCUMENTS

- D. 29,036 * 7/1898 Tahl D9/433
- D. 134,249 * 11/1942 Button D9/346
- D. 284,939 * 8/1986 Sandish et al. D9/346

(List continued on next page.)

Primary Examiner—Ted Shooman

Assistant Examiner—Carol Rademaker

(74) *Attorney, Agent, or Firm*—Sheldon & Mak

(57) **CLAIM**

We claim the ornamental design for a pop-up food tray for combination meals, as shown and described.

DESCRIPTION

FIG. 1 is a perspective view of a pop-up food tray for combination meals of our new design, in closed condition, with the legs shown in fully deployed position;

FIG. 2 is a perspective view of the pop-up food tray for combination meals of FIG. 1 in open condition with the legs shown in fully deployed position, with the finger grip shown in fully opened position, and with the insertion of the unclaimed combination meal shown in dot-dot-dash broken lines;

FIG. 3 is a perspective view of the pop-up food tray for combination meals of FIG. 1 showing partial deployment of the legs;

FIG. 4 is a perspective view of the pop-up food tray for combination meals of FIG. 1 showing further deployment of the legs;

FIG. 5 is a perspective view of the pop-up food tray for combination meals of FIG. 1 with the legs shown in fully deployed position, with a portion of one food support area removed and the center food support area shown fully opened;

FIG. 6 is a perspective view of the pop-up food tray for combination meals of FIG. 5, showing partial deployment of a foldout panel for catching spilled food particles;

FIG. 7 is a perspective view of the pop-up food tray for combination meals of FIG. 5 with the finger grip shown in partially opened position and showing further deployment of a foldout panel for catching spilled food particles;

FIG. 8 is a perspective view of the pop-up food tray for combination meals of FIG. 5 with the finger grip shown in partially opened position and showing even further deployment of the foldout panel for catching spilled food particles;

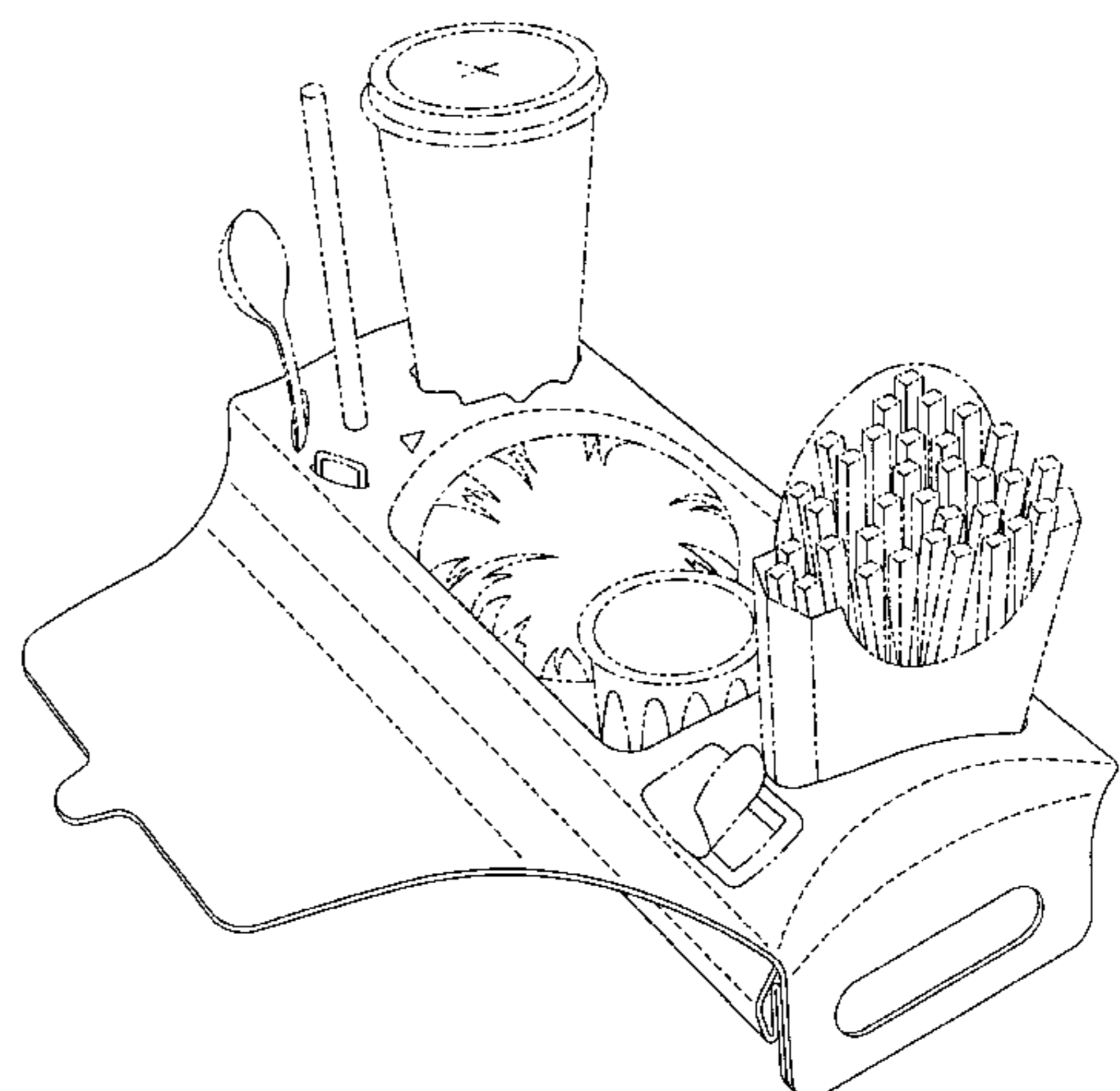
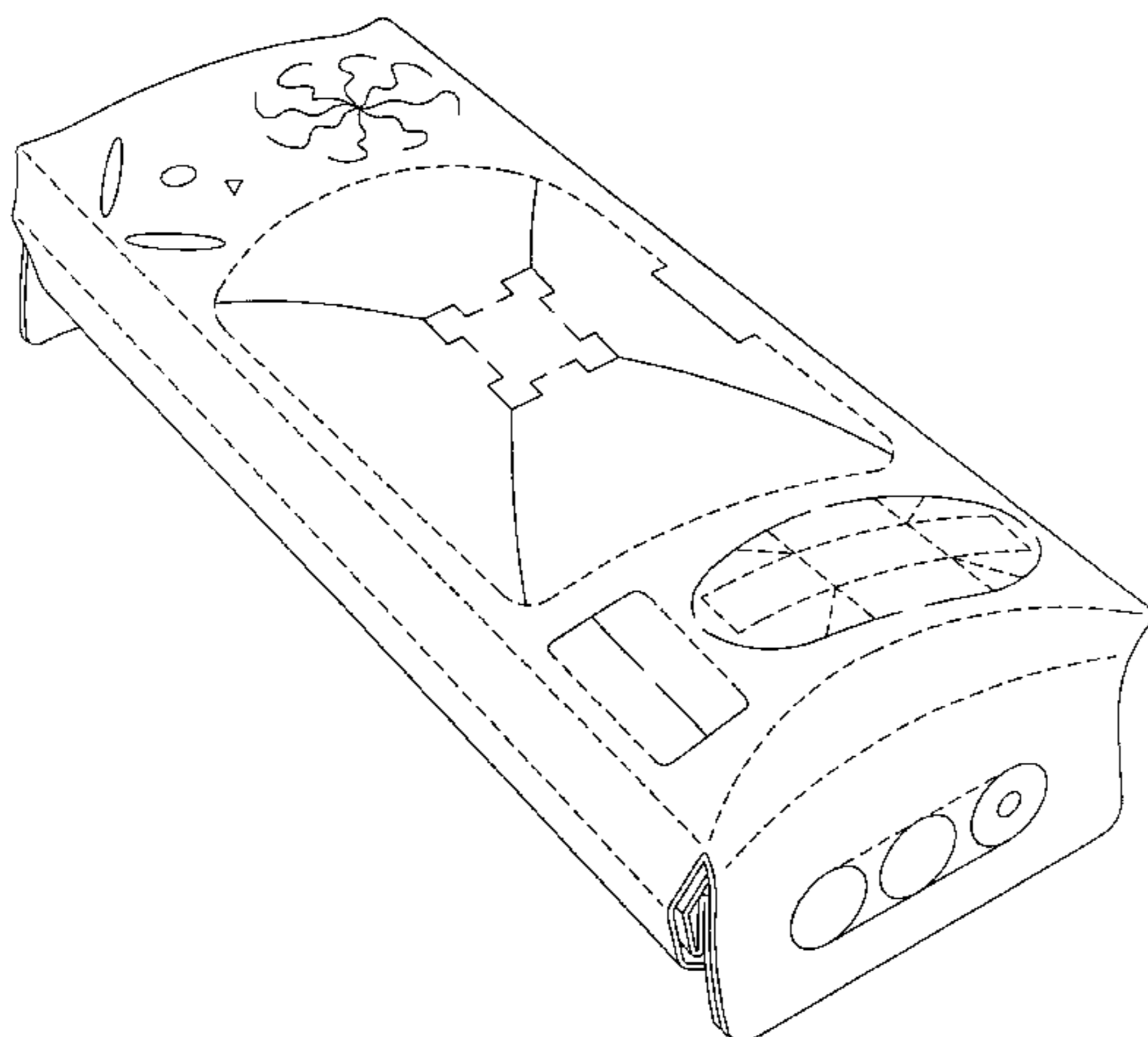
FIG. 9 is a perspective view of the pop-up food tray for combination meals of FIG. 5 with the finger grip shown in fully opened position, the panel for catching spilled food particles fully deployed, and additional areas open with a portion of the unclaimed combination meal shown in a dot-dot-dash broken lines;

FIG. 10 is a perspective view of the pop-up food tray for combination meals of FIG. 9 showing the fold out panel partially closed to cover the used food containers for convenient disposal; and,

FIG. 11 is a perspective view of the pop-up food tray for combination meals of FIG. 9 showing the fold out panel fully closed to cover the used food containers for convenient disposal.

The dashed, broken lines shown in FIGS. 1-11 represent fold lines. The dot-dot-dash, broken lines shown in FIGS. 2, 9 and 10 of the combination meal items is for illustrative purposed only and forms no part of the claimed design.

1 Claim, 5 Drawing Sheets



US D448,990 S

Page 2

U.S. PATENT DOCUMENTS

D. 353,091	*	12/1994	Mumford	D9/346	4,757,937	*	7/1988	Maio	229/904
D. 360,163	*	7/1995	Girandola	D12/425	4,979,657	*	12/1990	Espiritu	229/904
D. 380,379	*	7/1997	Linblom et al.	D9/346	5,301,871	*	4/1994	Gross et al.	229/904
D. 382,201	*	8/1997	Brondyke et al.	D9/341	5,421,459	*	6/1995	Mazzotti	206/563
D. 415,960	*	11/1999	Majdanski	D9/415	5,441,164		8/1995	Beck et al.	.	
2,466,636	*	4/1949	Bruckner et al.	229/904	5,497,885		3/1996	Sussman	.	
3,324,998	*	6/1967	Farquhar	206/562	5,788,081	*	8/1998	Bates	229/904
3,637,130	*	1/1972	Farquhar	206/562	5,915,561		6/1999	Lorenzana et al.	.	
4,511,042	*	4/1985	Wischusen, III	229/904	5,957,276		9/1999	Cutler et al.	.	
4,705,173	*	11/1987	Forbes, Jr.	229/904	5,964,161		10/1999	Conway	.	

* cited by examiner

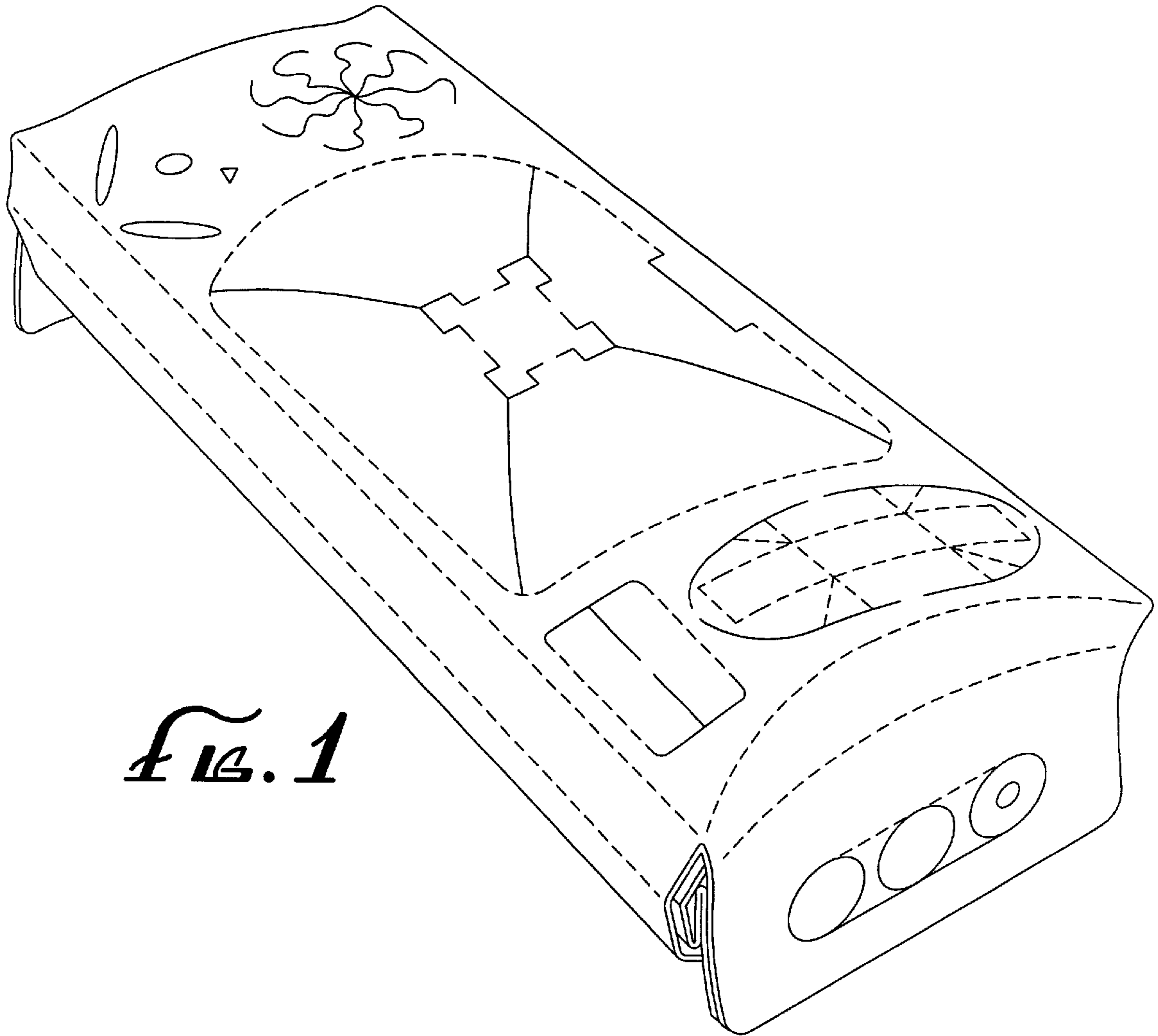
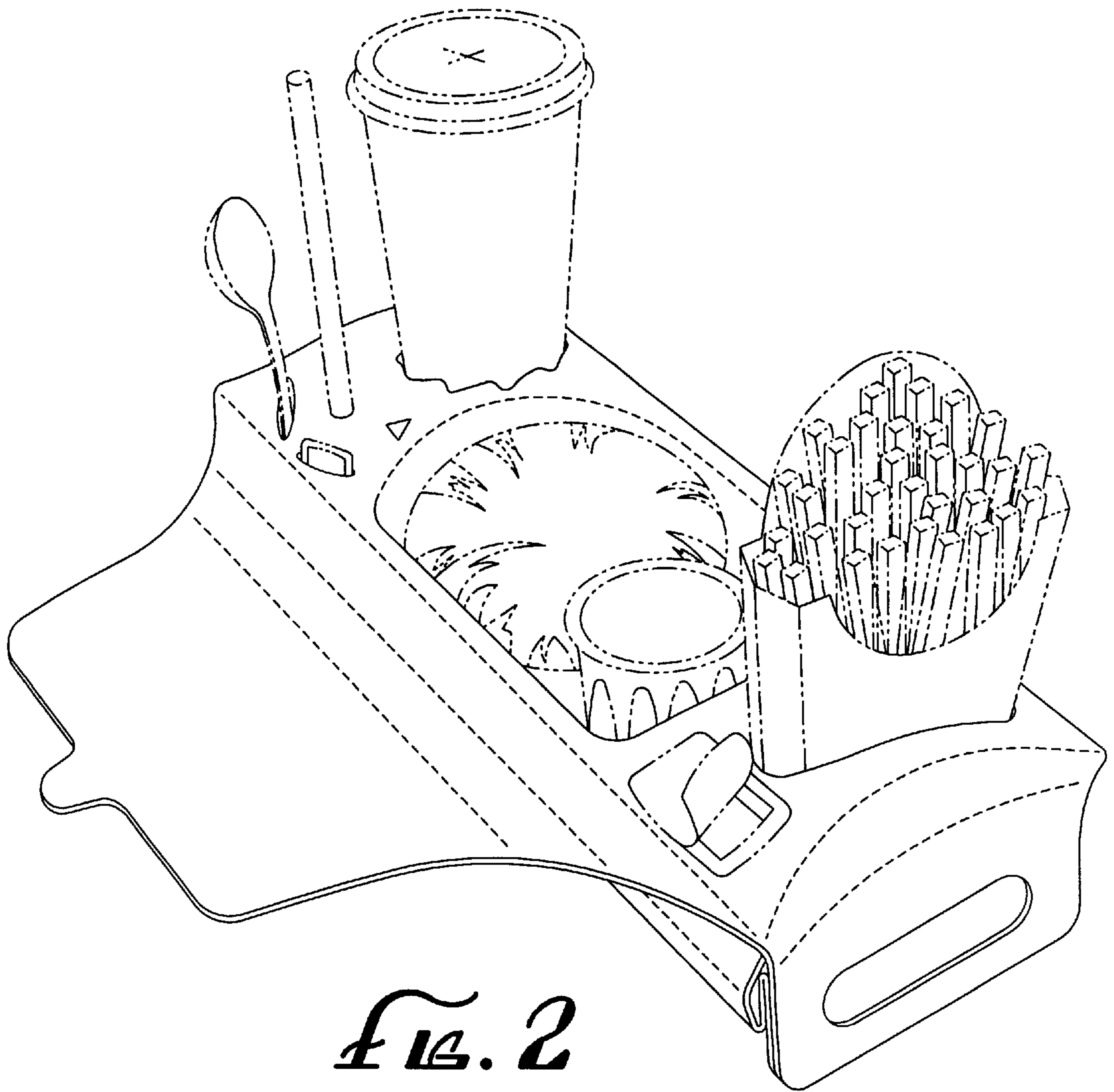


FIG. 1



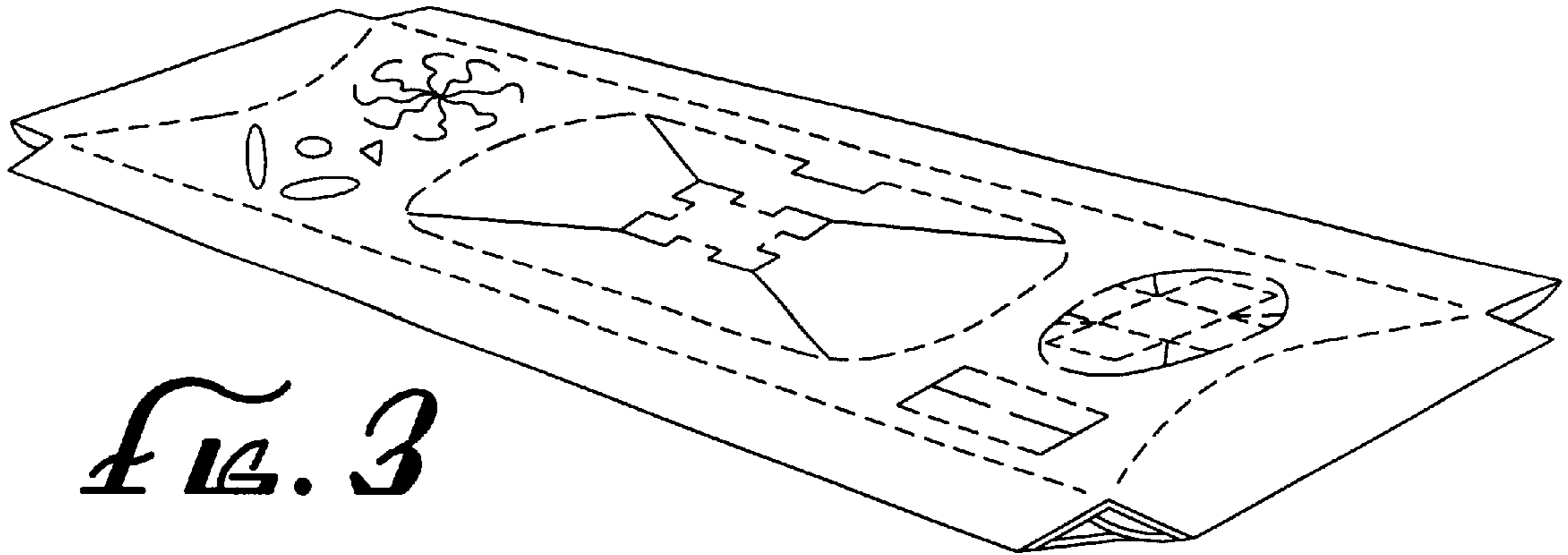


FIG. 3

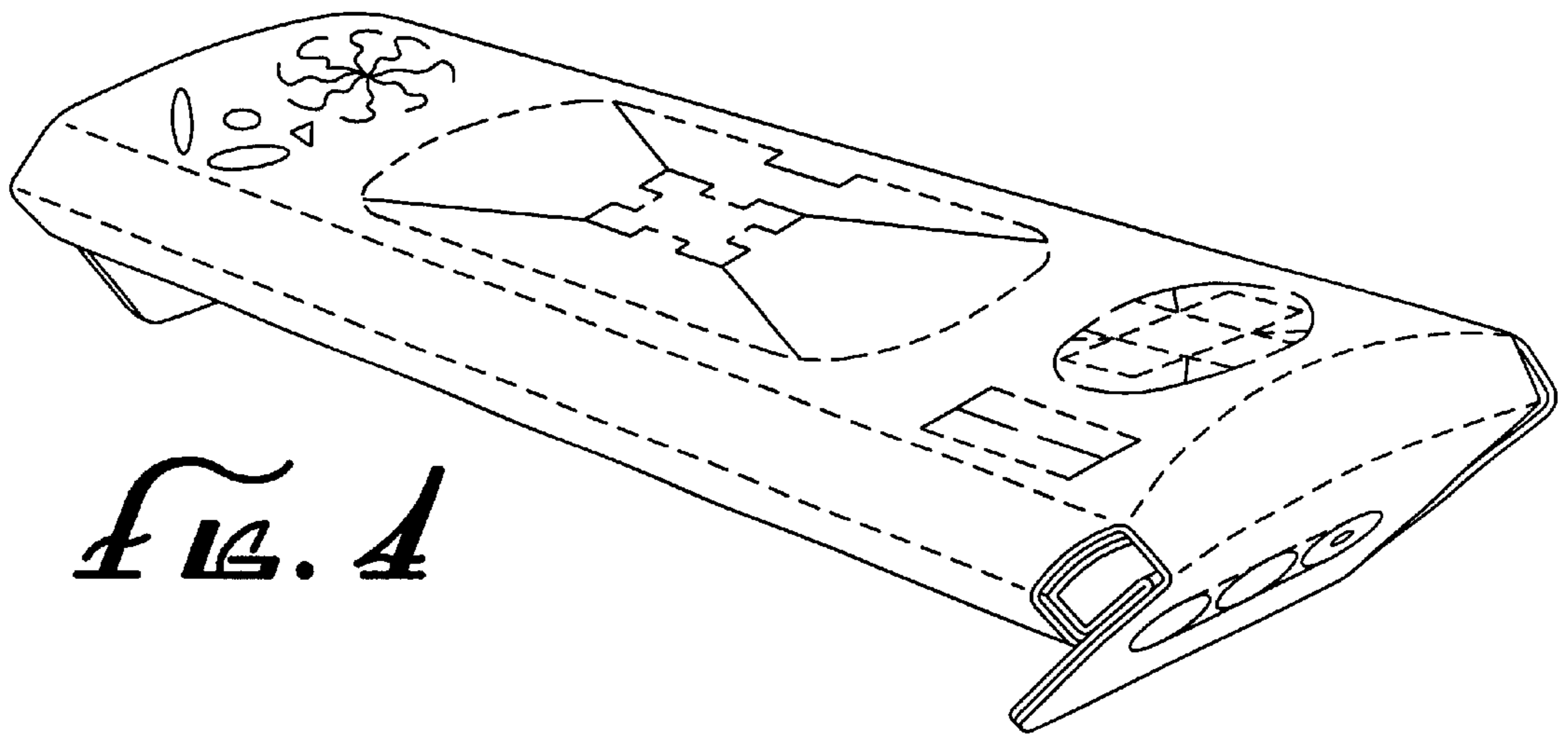


FIG. 4

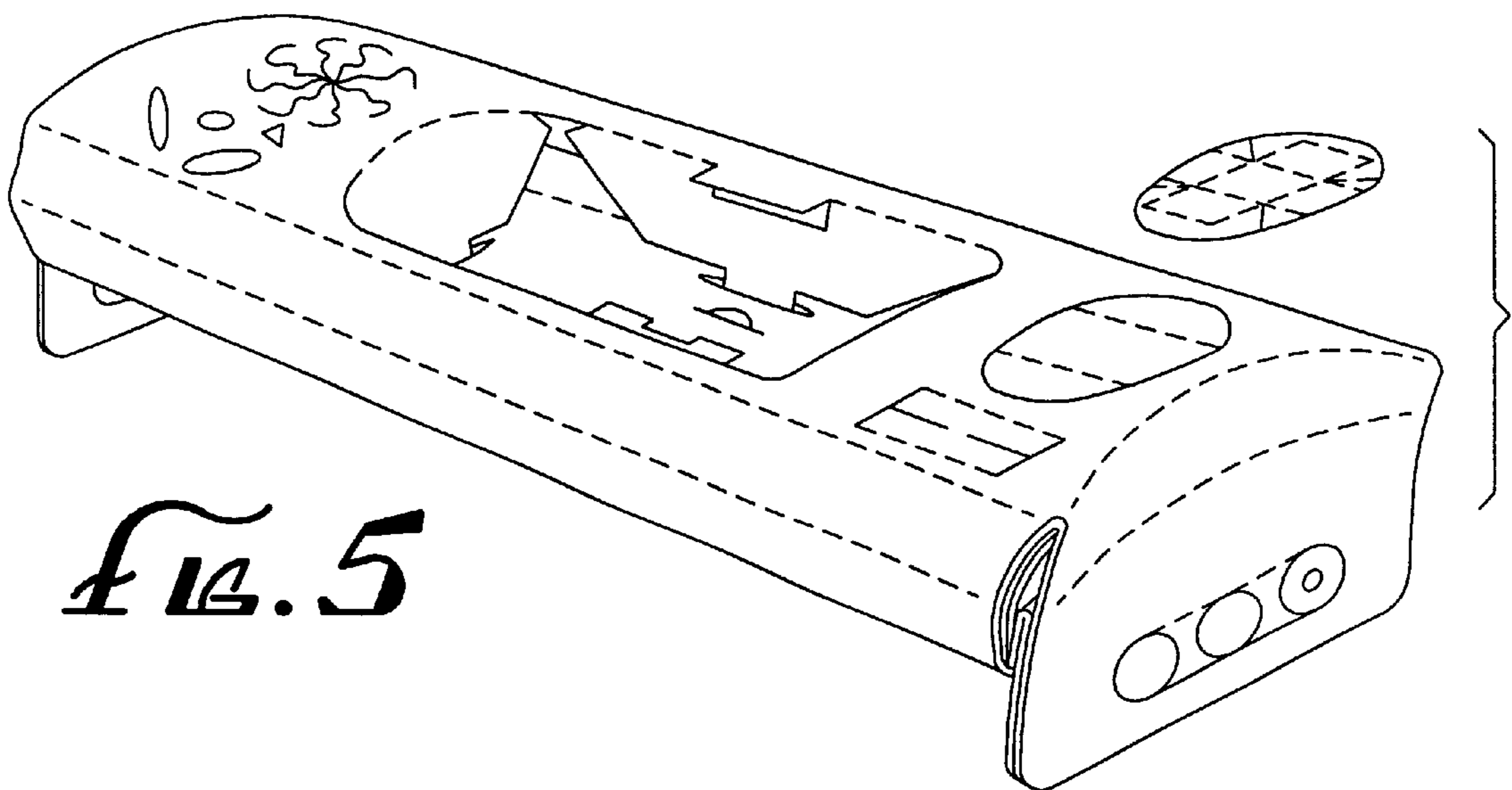


FIG. 5

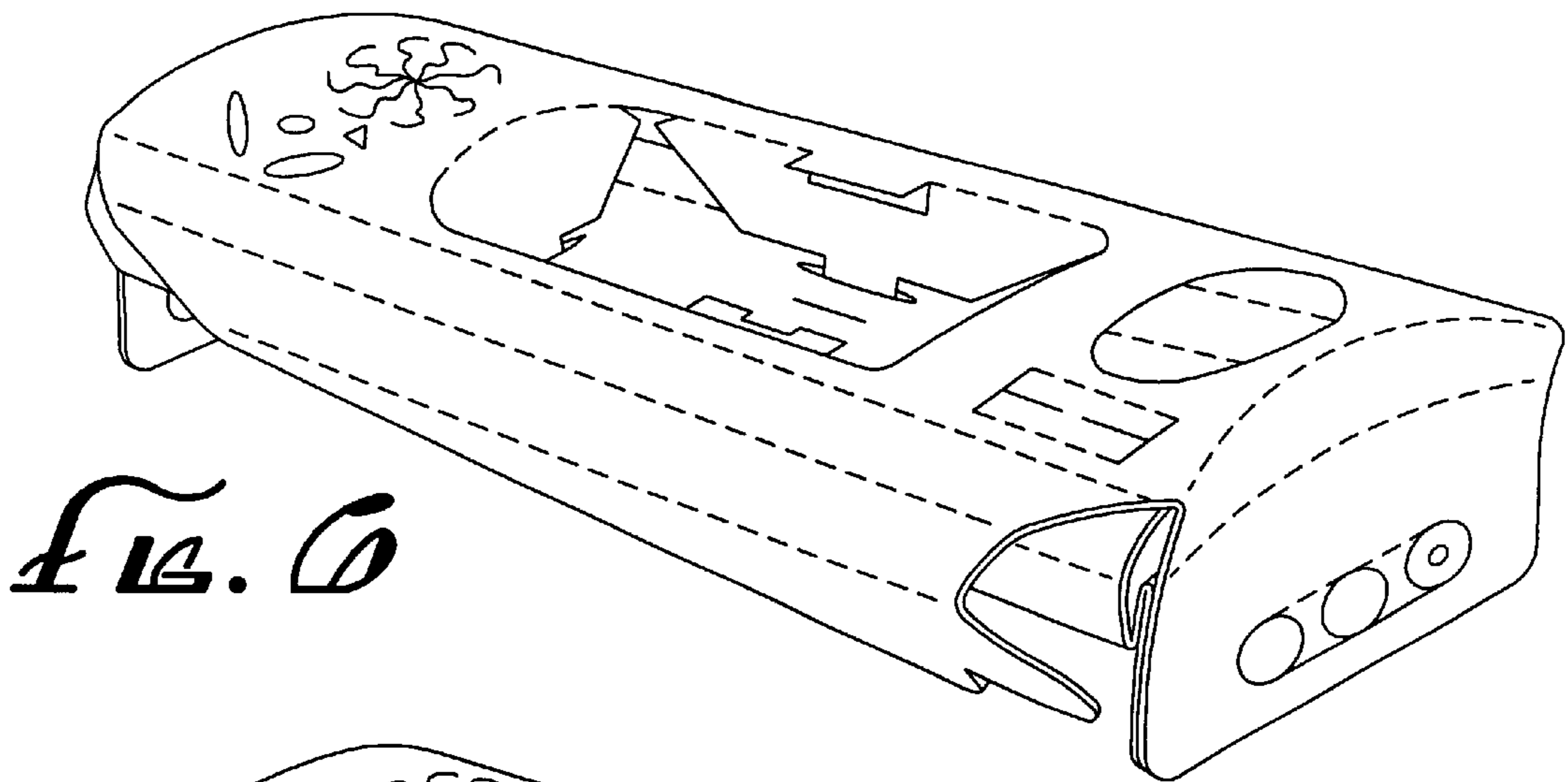


Fig. 6

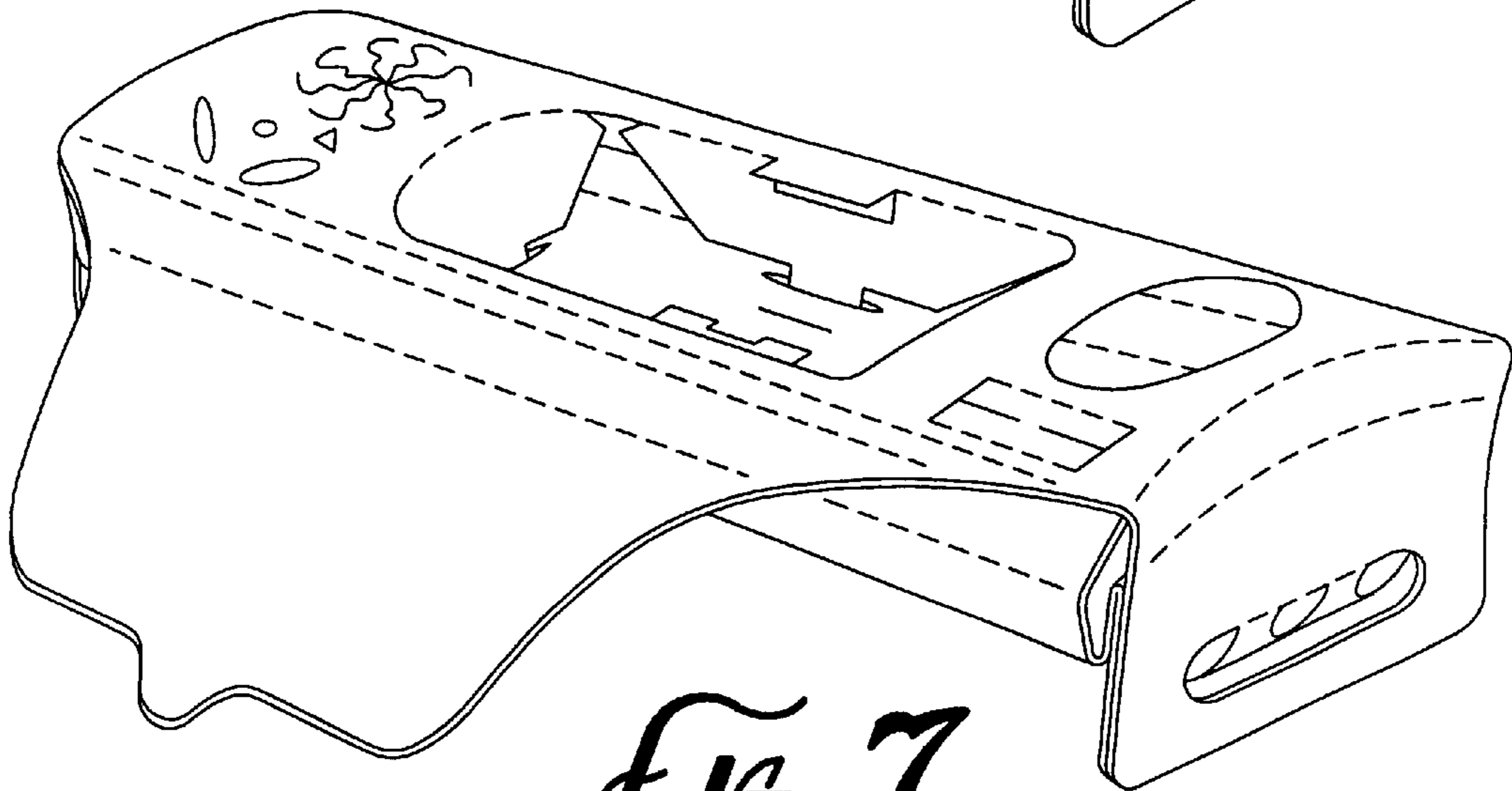


Fig. 7

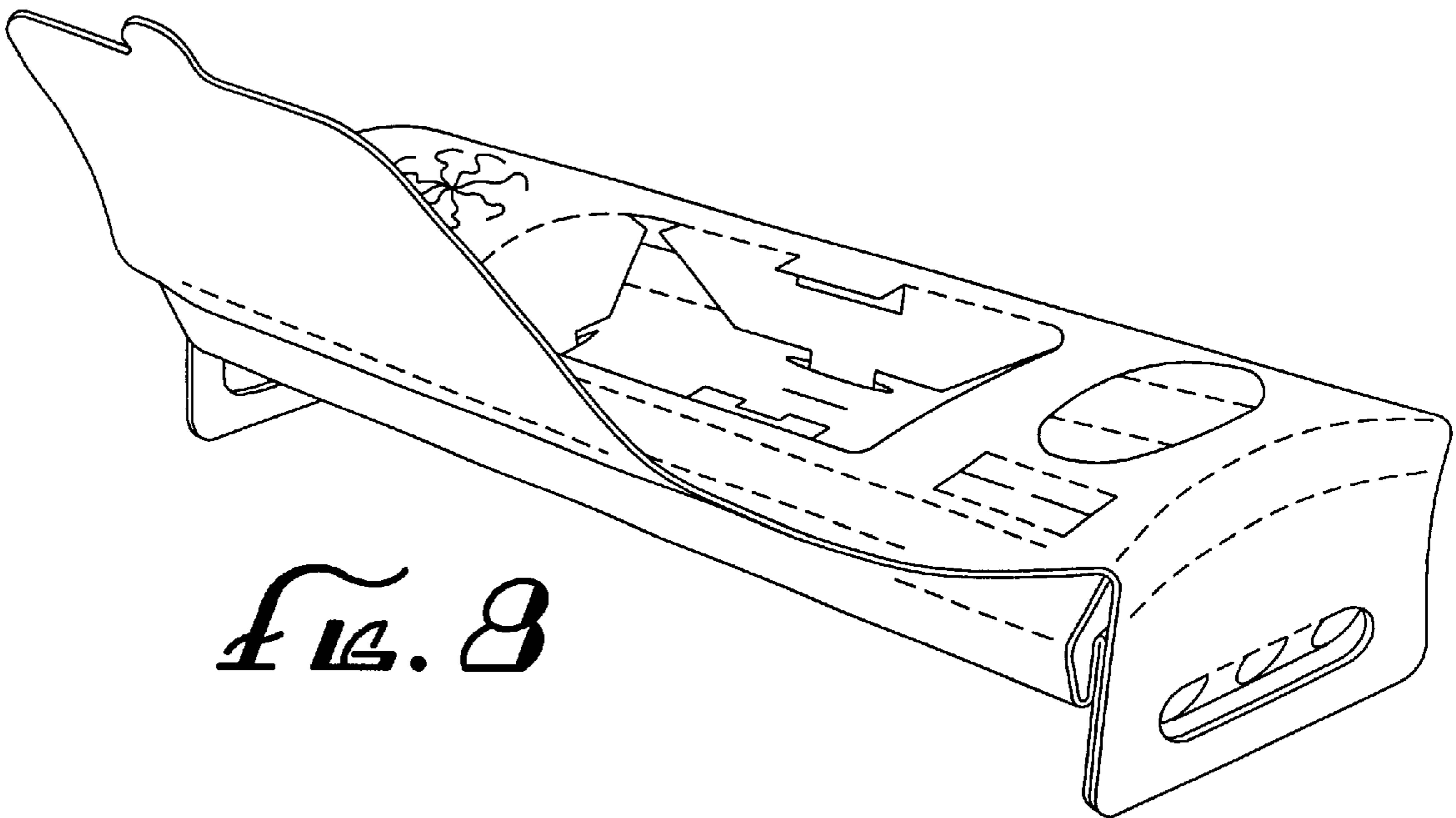


Fig. 8

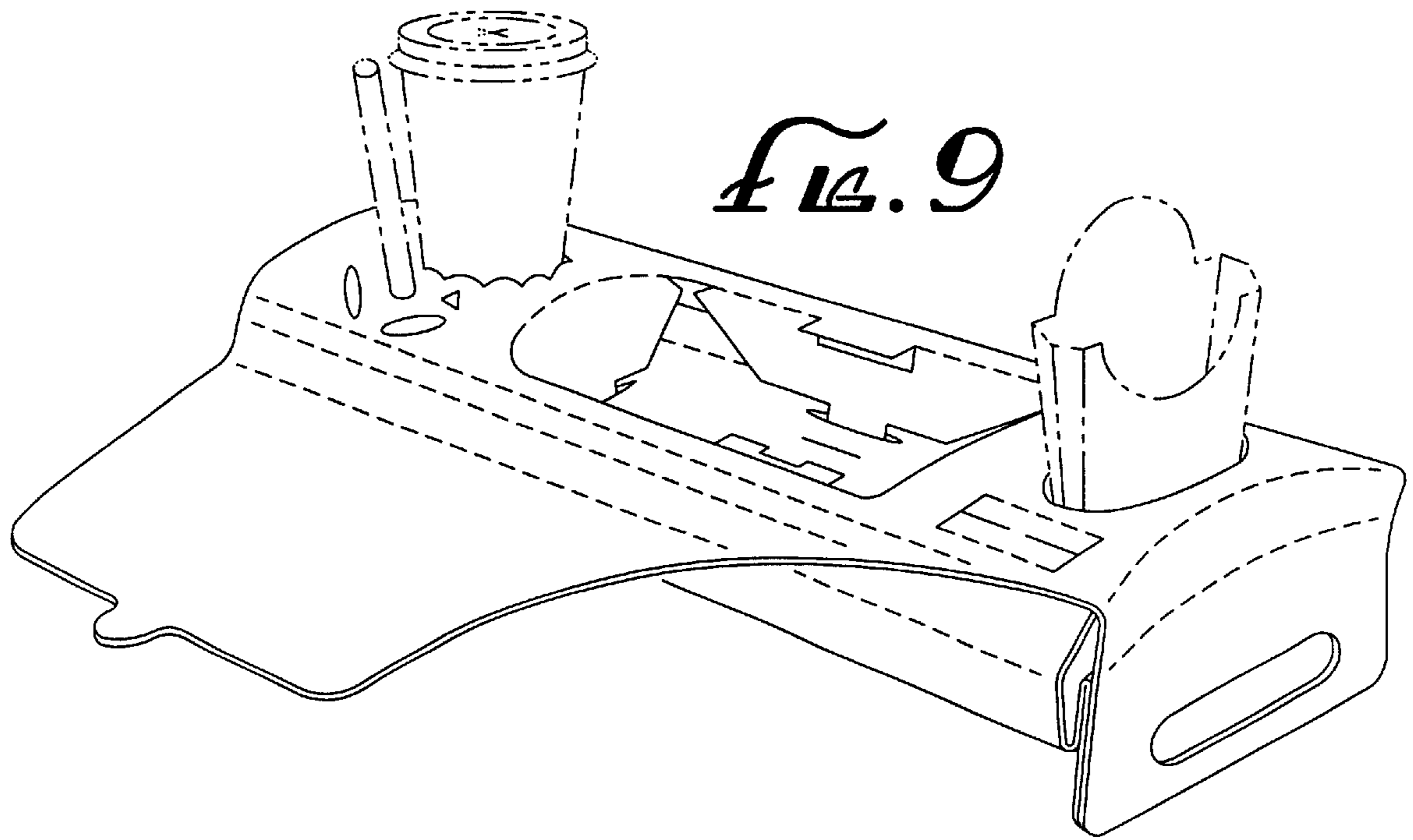


Fig. 9

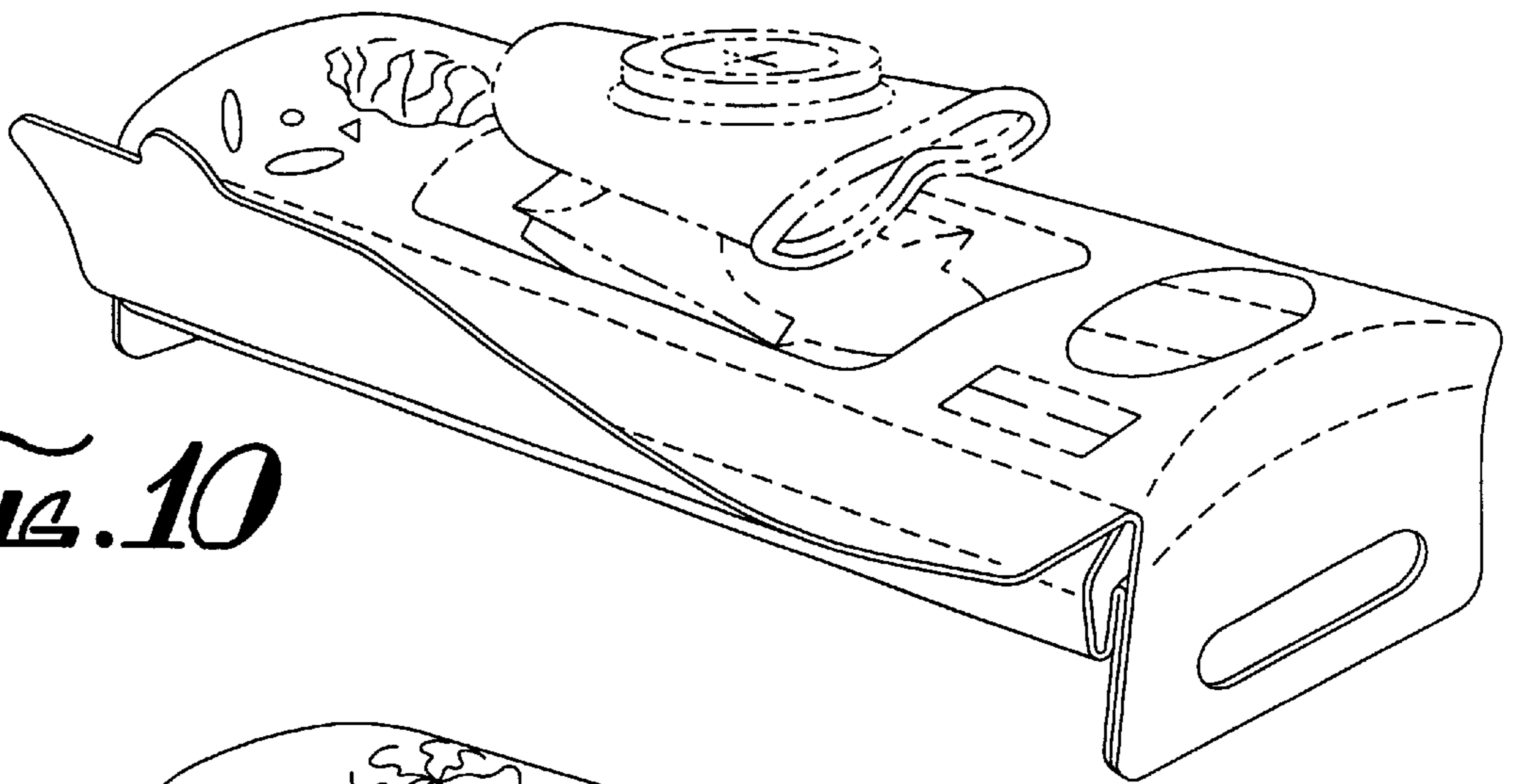


Fig. 10

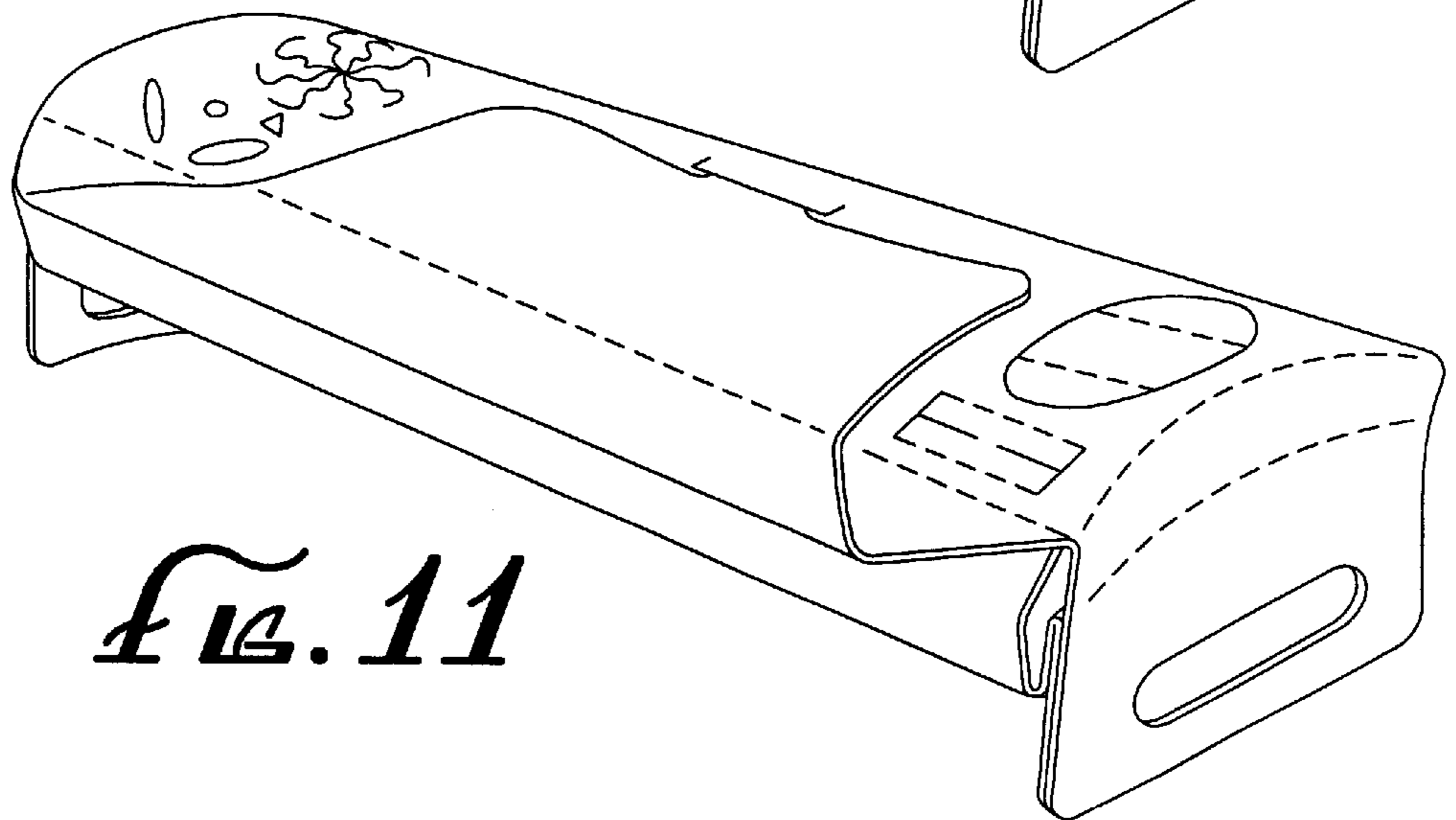


Fig. 11