



US00D448986B1

(12) **United States Design Patent**
Cook et al.

(10) **Patent No.: US D448,986 S**

(45) **Date of Patent: ** Oct. 9, 2001**

(54) **COMBINED LUGGAGE SNAP HOOK AND RING**

DESCRIPTION

(75) Inventors: **Carmen R. Cook**, Asbury, NJ (US);
Kathie Wulf, Edgewood, NM (US);
Steve Gelb, Seattle, WA (US)

(73) Assignees: **Royalox International, Inc.**,
Phillipsburg, NJ (US); **Eagle Creek,**
Inc., Vista, CA (US)

(**) Term: **14 Years**

(21) Appl. No.: **29/118,233**

(22) Filed: **Feb. 4, 2000**

(51) **LOC (7) Cl.** **08-05**

(52) **U.S. Cl.** **D8/367**

(58) **Field of Search** D8/367, 382; 24/265 H,
24/265 R, 600.1, 600.2, 600.9, 599.7, 599.5,
601.1-601.2

(56) **References Cited**

U.S. PATENT DOCUMENTS

D. 365,978 * 1/1996 Rekuc et al. D8/367
5,384,943 * 1/1995 LeFebvre et al. 24/600.1

* cited by examiner

Primary Examiner—Holly Baynham

(74) *Attorney, Agent, or Firm*—Herbert Dubno

(57) **CLAIM**

The ornamental design for a combined luggage snap hook and ring, as shown.

FIG. 1 is a front view of a combined luggage snap hook and ring showing a first embodiment of my new design;
FIG. 2 is a right side elevational view thereof, the left side being mirror symmetrical thereto;
FIG. 3 is a top view thereof;
FIG. 4 is a bottom view thereof;
FIG. 5 is a left side elevational view of the snap hook without ring;
FIG. 6 is a rear view thereof;
FIG. 7 is a front elevational view of the ring, the rear view being identical thereof;
FIG. 8 is a right side elevational view thereof, the left side being identical thereof;
FIG. 9 is a top view thereof;
FIG. 10 is a bottom view thereof;
FIG. 11 is a front elevational view of a second embodiment of the combined luggage snap hook and ring showing my new design;
FIG. 12 is a right side elevational view thereof;
FIG. 13 is a top view thereof;
FIG. 14 is a bottom view thereof;
FIG. 15 is a left side elevational view of the snap hook;
FIG. 16 is a rear view thereof;
FIG. 17 is a front view of the ring of the second embodiment; and,
FIG. 18 is a right side elevational view thereof, the top, left side and bottom views being identical thereto.

1 Claim, 8 Drawing Sheets

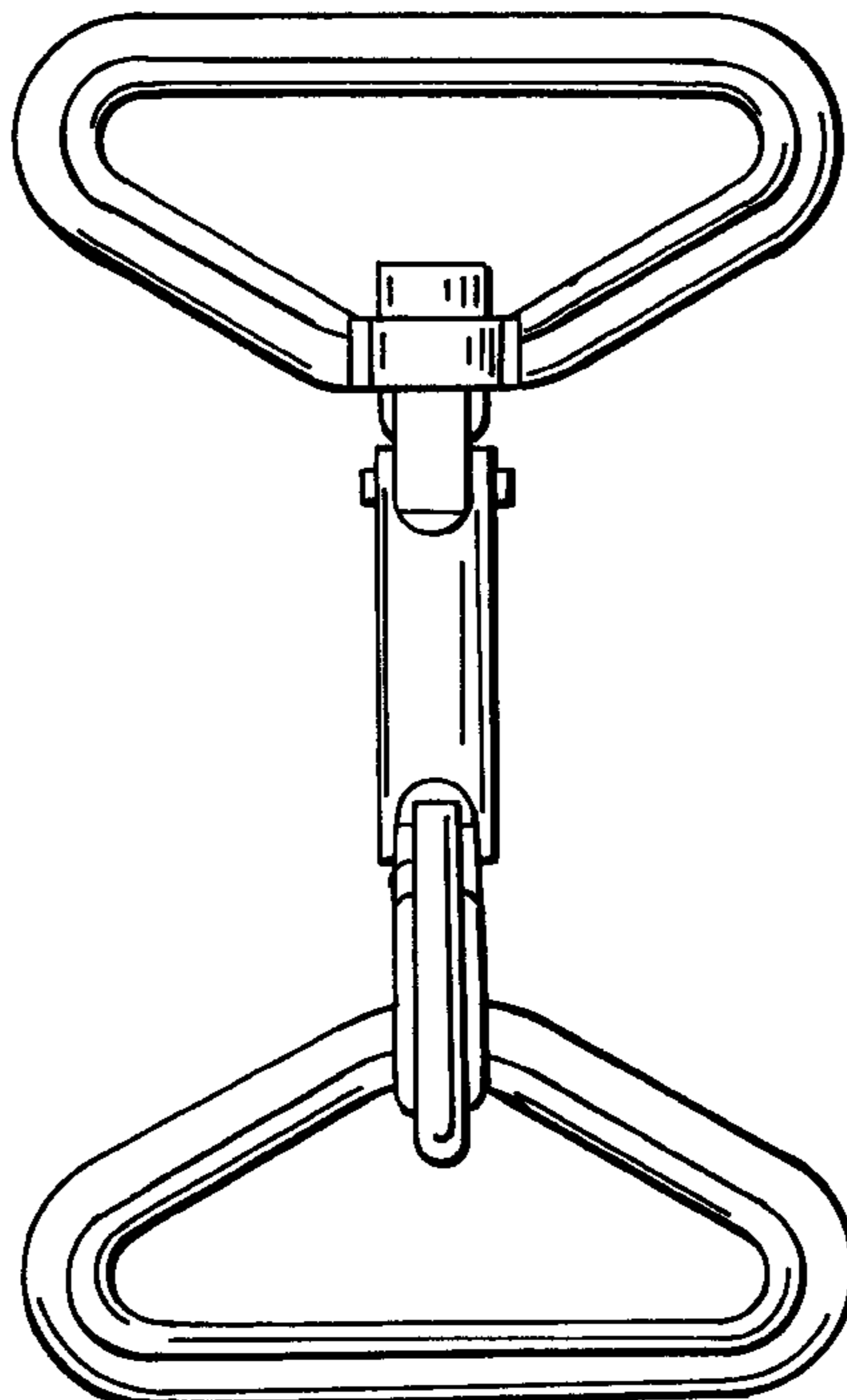


FIG. 2

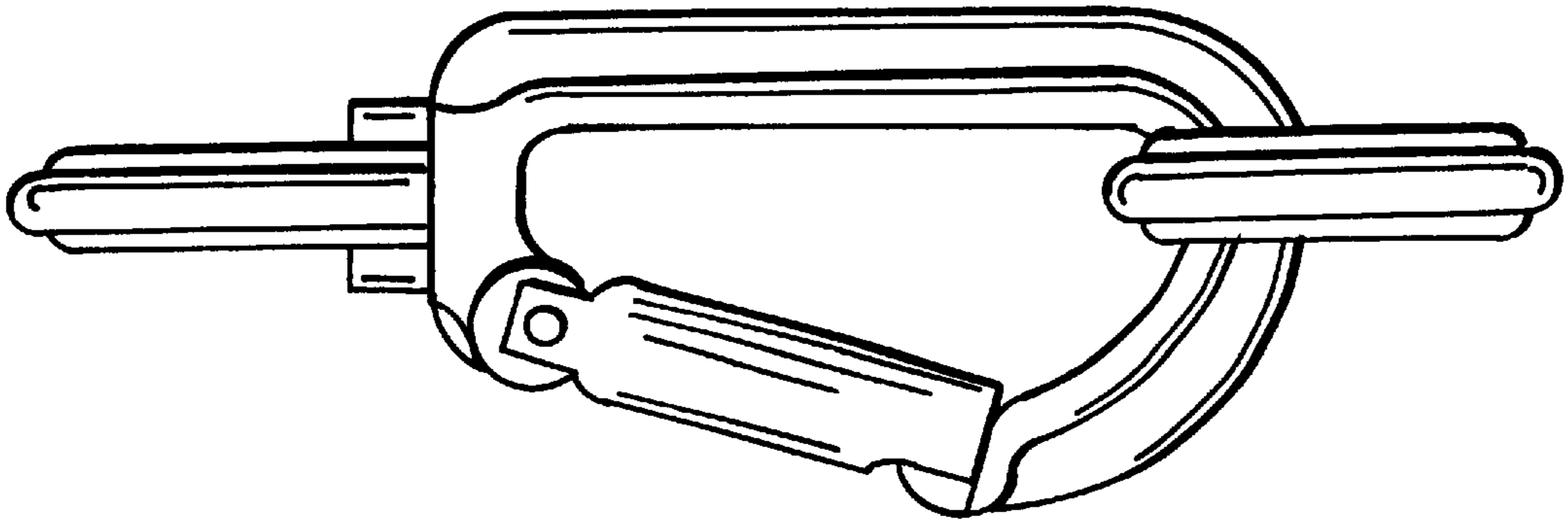


FIG. 1

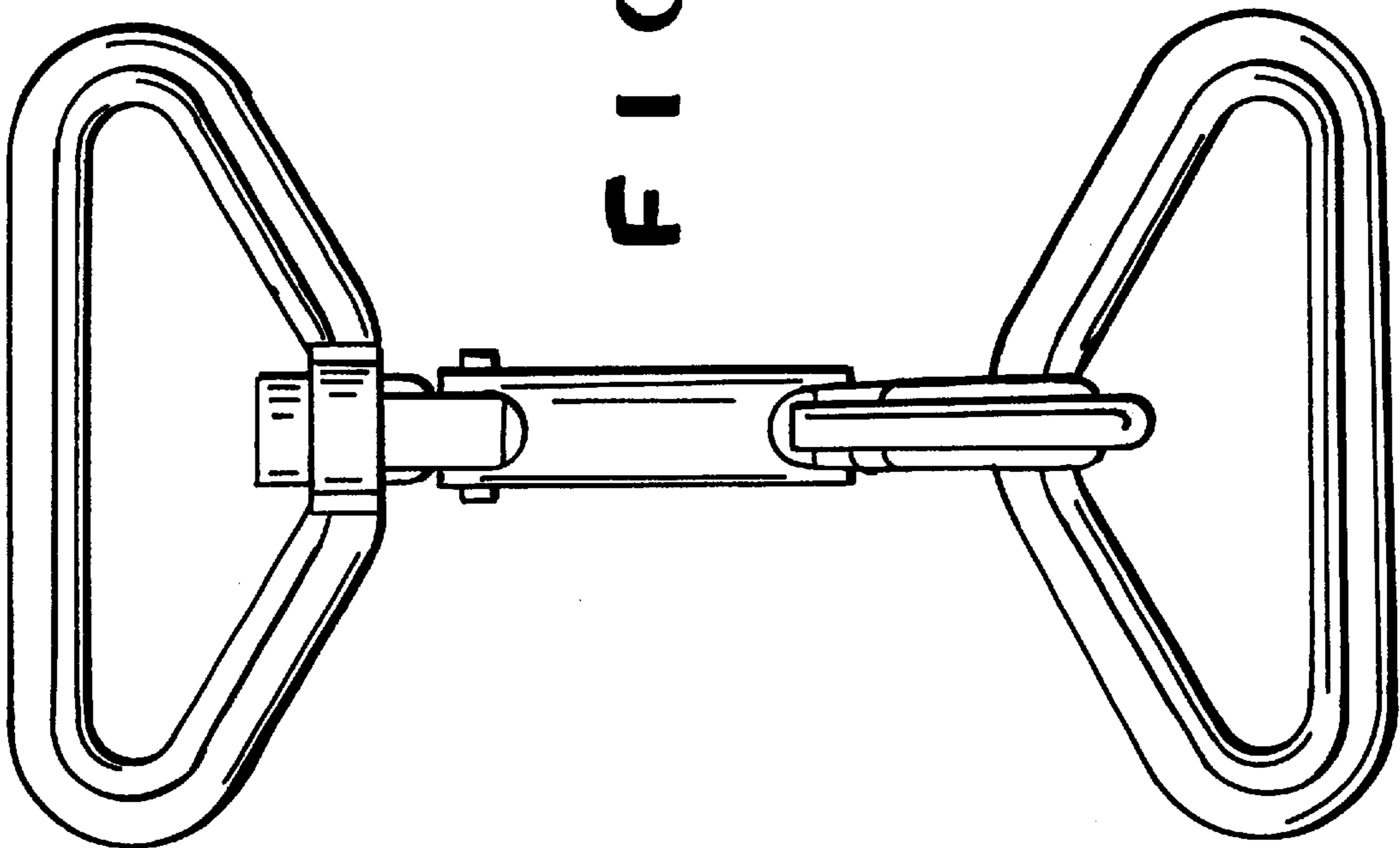


FIG. 3

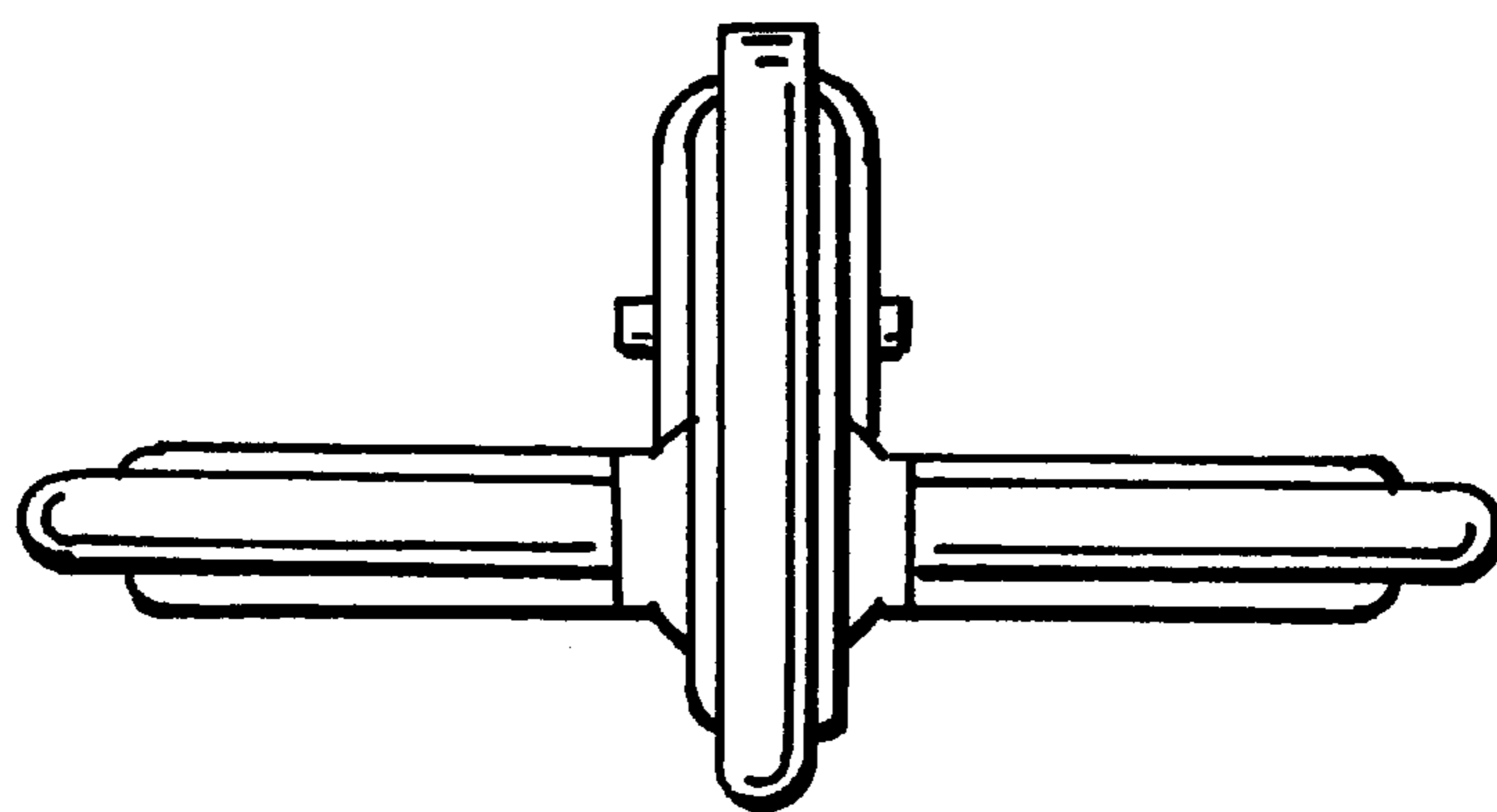
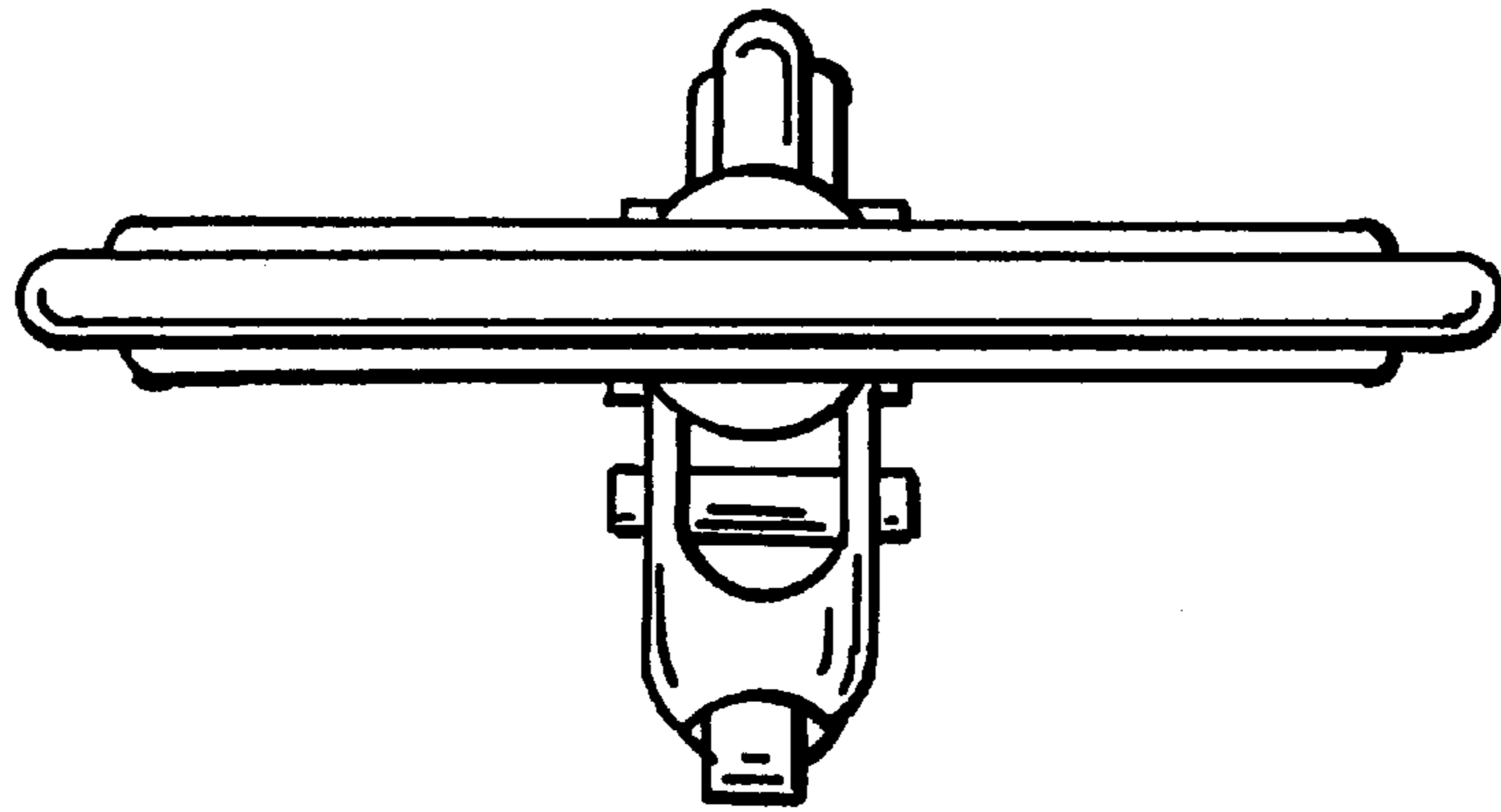


FIG. 4

FIG. 6

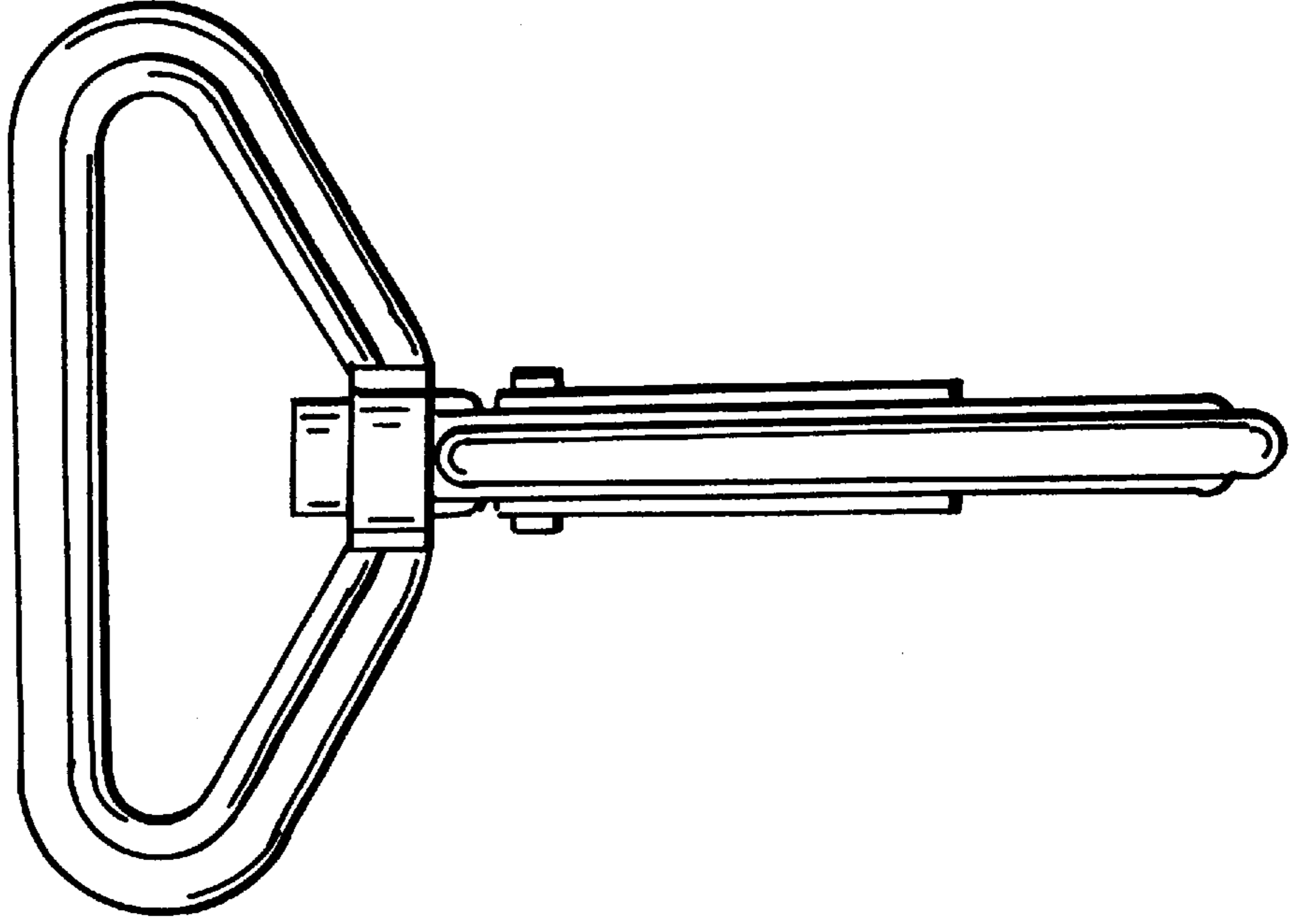


FIG. 5

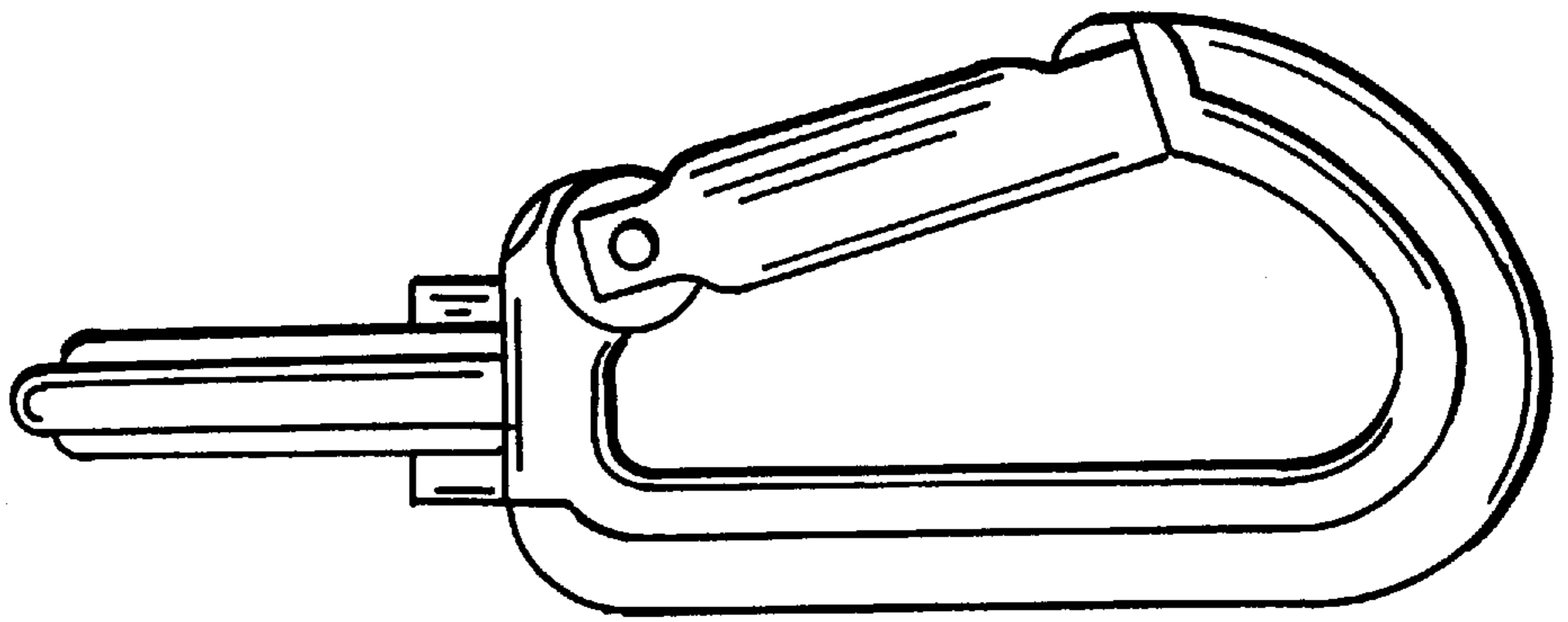


FIG. 7

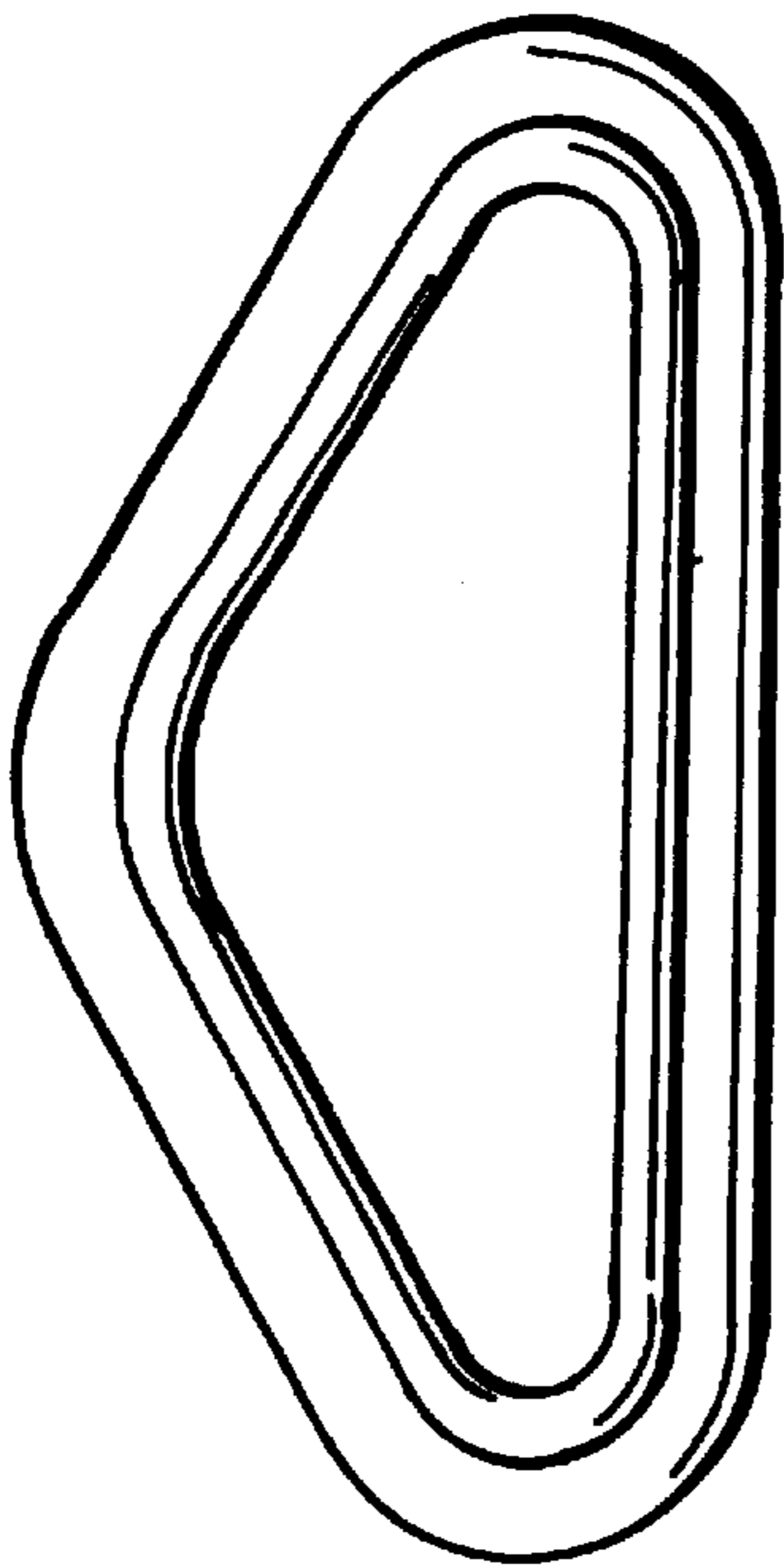


FIG. 8

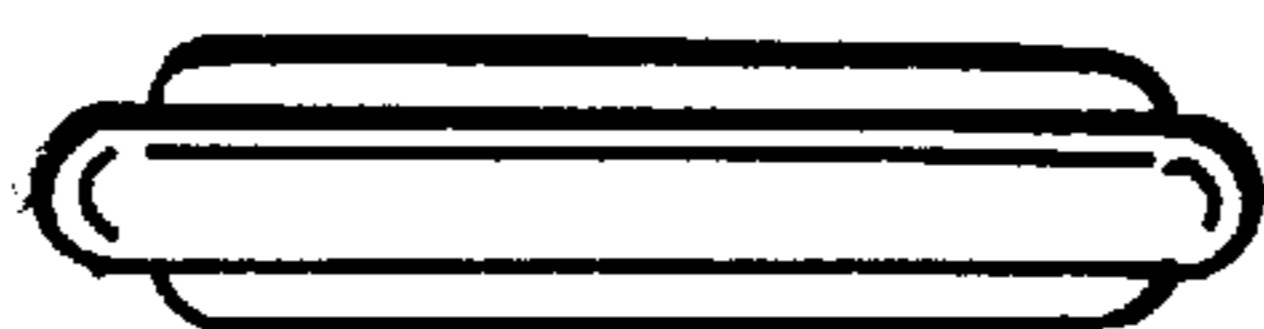


FIG. 9



FIG. 10



FIG. 12

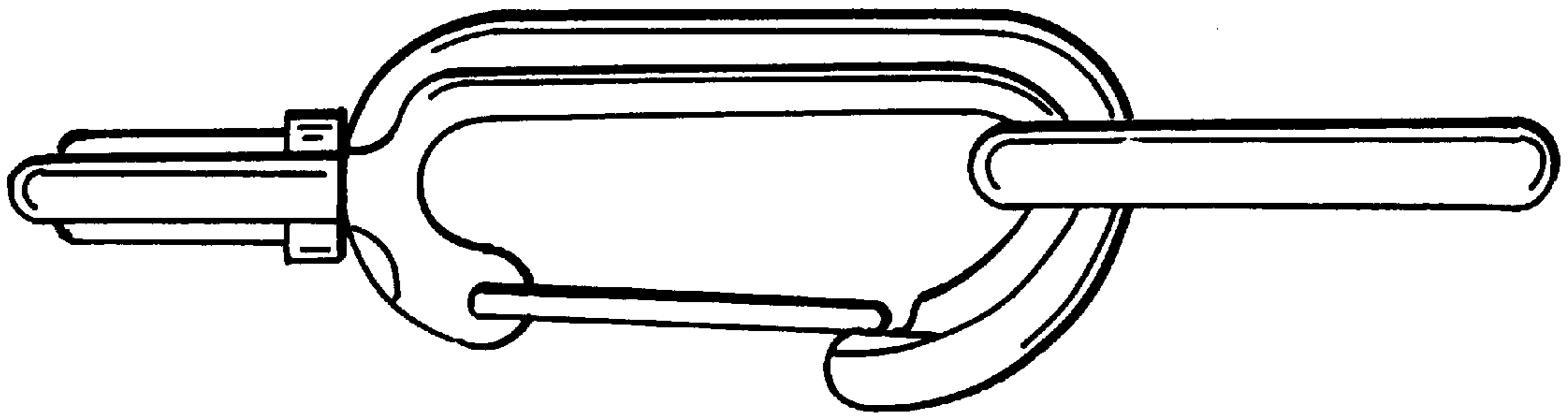


FIG. 11

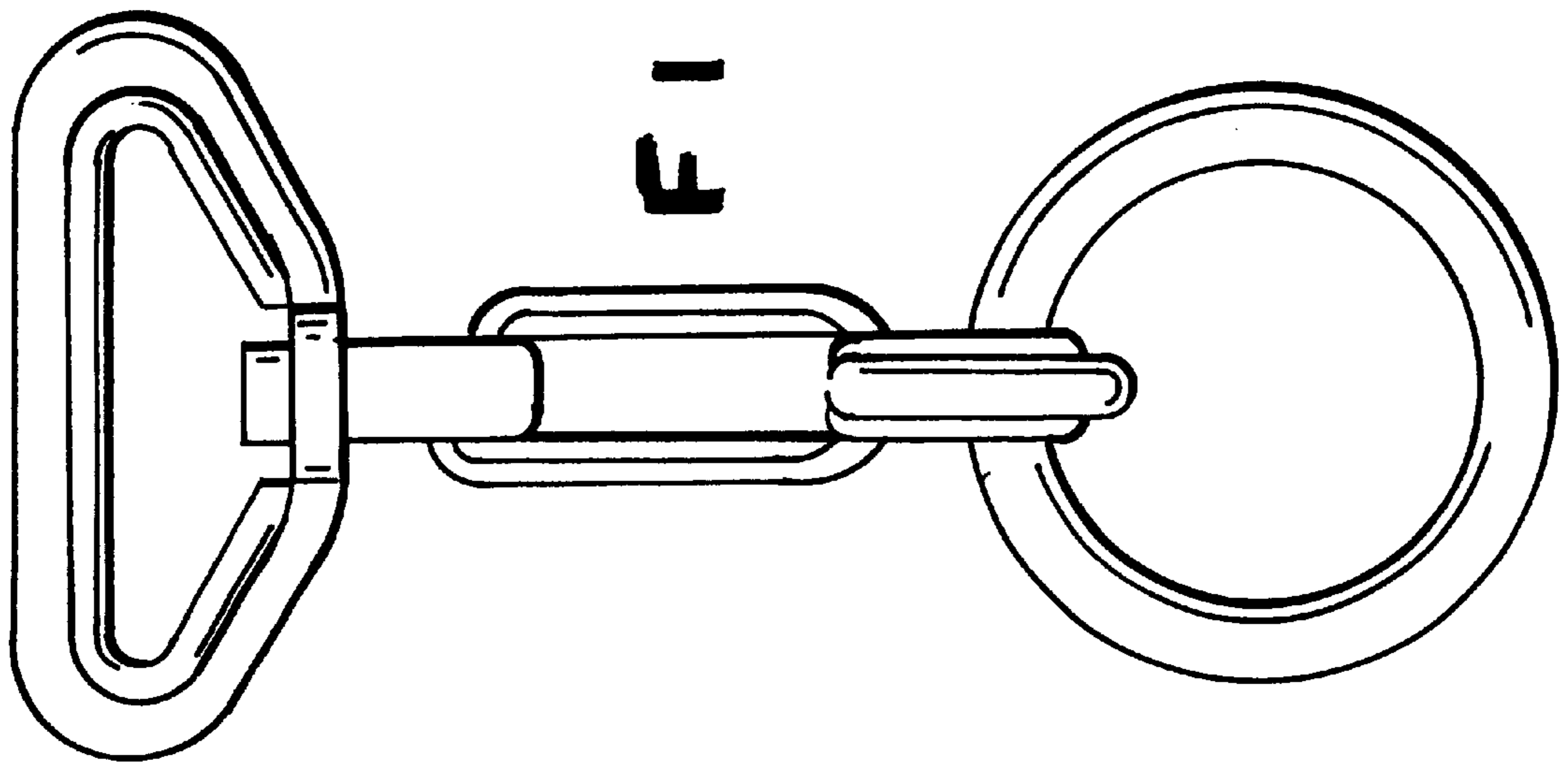


FIG. 13

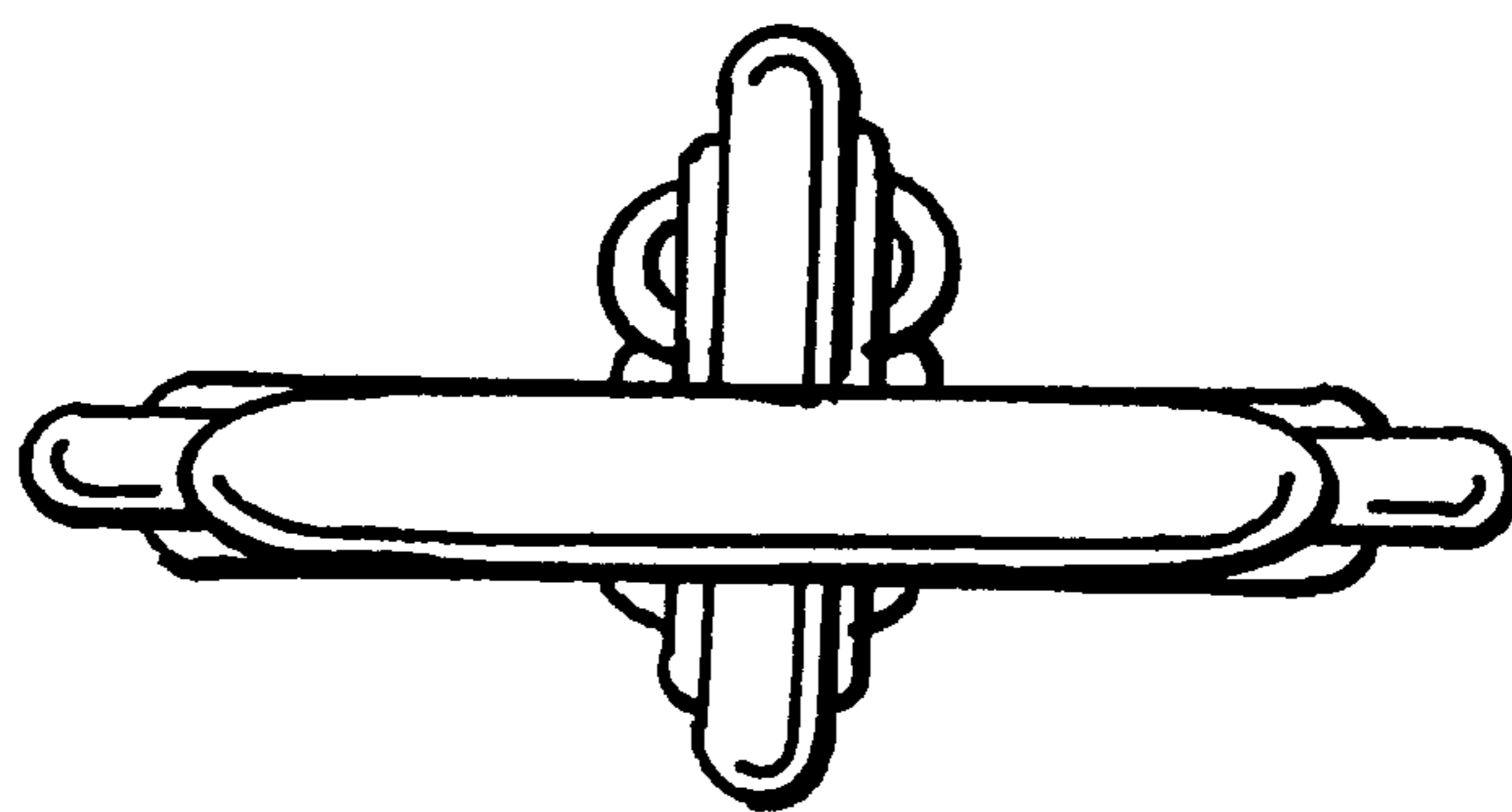
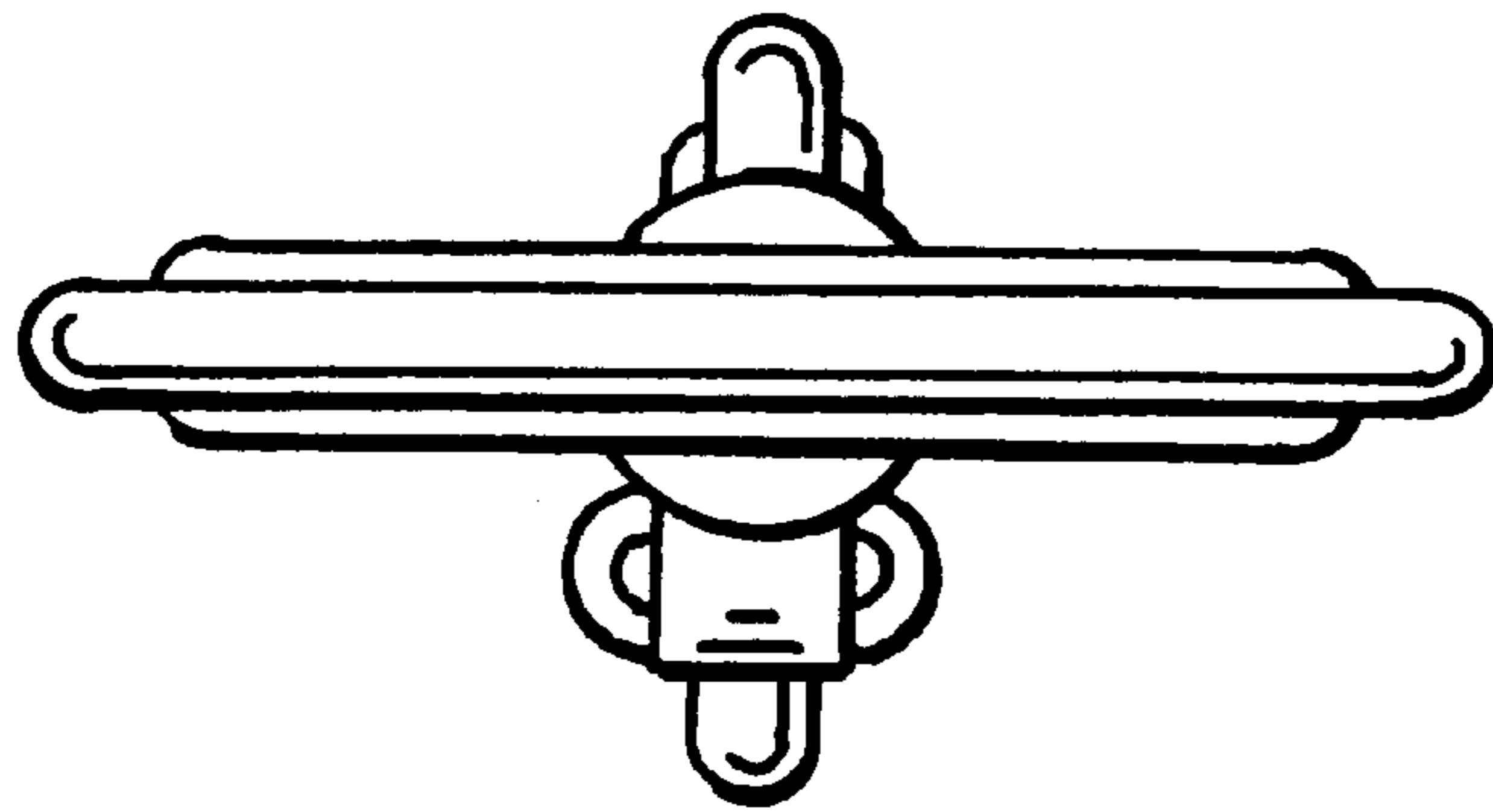


FIG. 14

FIG. 15

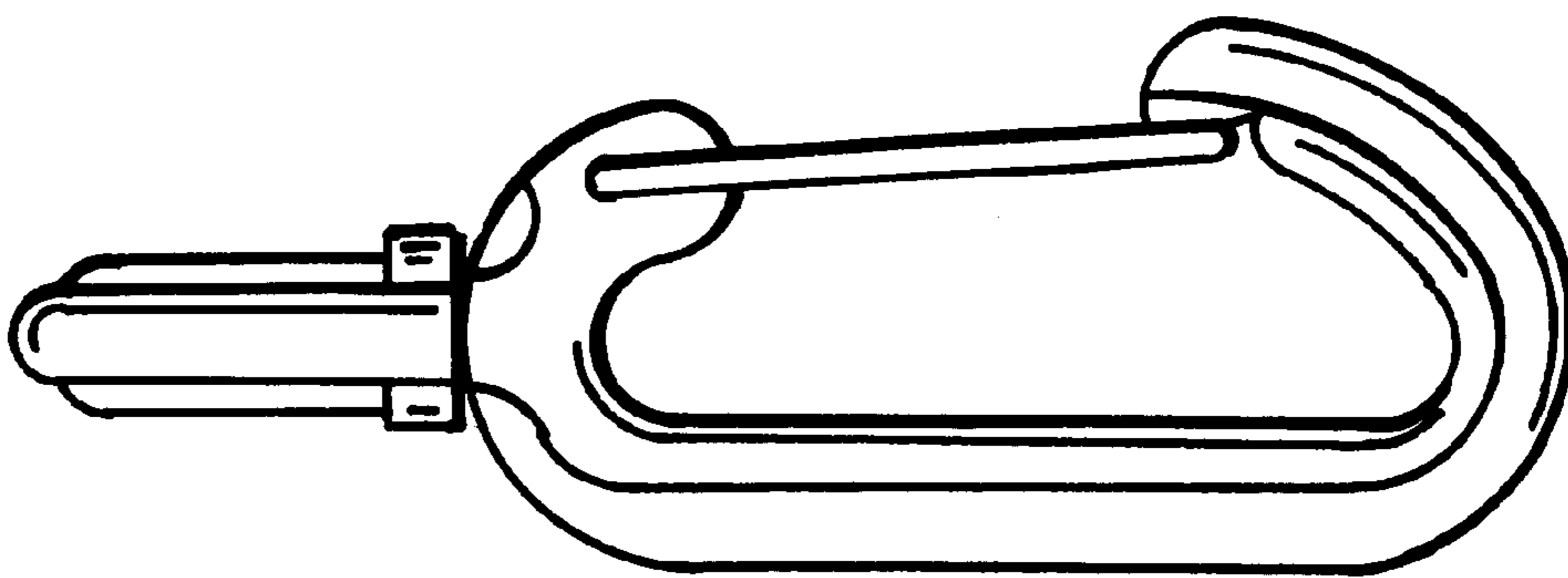


FIG. 16

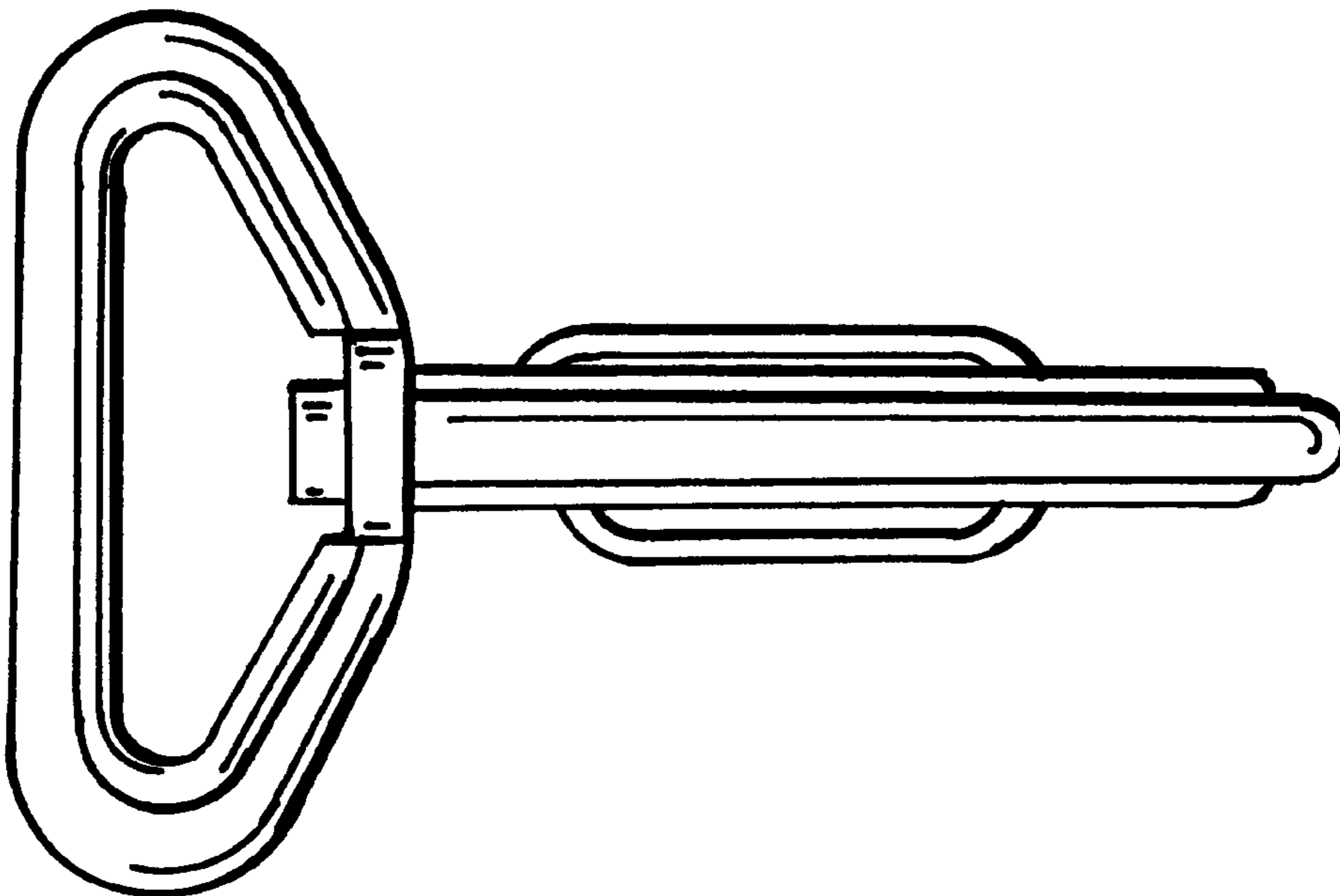


FIG. 18



FIG. 17

