



US00D448985B1

(12) **United States Design Patent**
Kovacik et al.

(10) **Patent No.:** **US D448,985 S**

(45) **Date of Patent:** **** Oct. 9, 2001**

(54) **ELECTRICAL CORD REEL**

(75) Inventors: **James D. Kovacik**, Brecksville; **Paul S. Blanch**, Broadview Heights; **Joseph J. Smith**, Wooster, all of OH (US)

(73) Assignee: **Alert Stamping & Mfg. Co., INC**, Bedford Heights, OH (US)

(**) Term: **14 Years**

(21) Appl. No.: **29/134,102**

(22) Filed: **Dec. 15, 2000**

(51) **LOC (7) Cl.** **08-05**

(52) **U.S. Cl.** **D8/358**

(58) **Field of Search** D8/358, 359; D13/110;
191/12.2 R, 12.4; 242/395, 404, 403.1,
388.1

(56) **References Cited**

U.S. PATENT DOCUMENTS

D. 260,073	8/1981	Wells .	
D. 286,503	11/1986	Bobrovniczky .	
D. 289,492	4/1987	Clivio et al. .	
D. 298,799	* 12/1988	Saulnier et al.	D8/359
D. 313,166	* 12/1990	Kovacik et al.	D8/358
D. 318,941	* 8/1991	Avery	D8/359
D. 374,166	10/1996	Czerwinski et al. .	

D. 419,426	1/2000	Kovacik et al. .	
D. 431,179	9/2000	Kovacik et al. .	
4,150,798	* 4/1979	Aragon	242/388.1
4,244,536	1/1981	Harrill .	
4,282,954	8/1981	Hill .	
4,520,239	5/1985	Schwartz .	
5,209,420	5/1993	Simmons et al. .	
6,170,775	1/2001	Kovacik et al. .	

* cited by examiner

Primary Examiner—Pamela Burgess

(74) *Attorney, Agent, or Firm*—MacMillan, Sobanski & Todd, LLC

(57) **CLAIM**

We claim the ornamental design for the electrical cord reel, as shown.

DESCRIPTION

FIG. 1 is a perspective view of an electrical cord reel showing my new design; FIG. 2 is a left side elevation view thereof; FIG. 3 is a front view thereof; FIG. 4 is a right side elevation view thereof; FIG. 5 is a rear elevation view thereof; FIG. 6 is a top plan view thereof; and, FIG. 7 is a bottom plan view thereof.

1 Claim, 2 Drawing Sheets

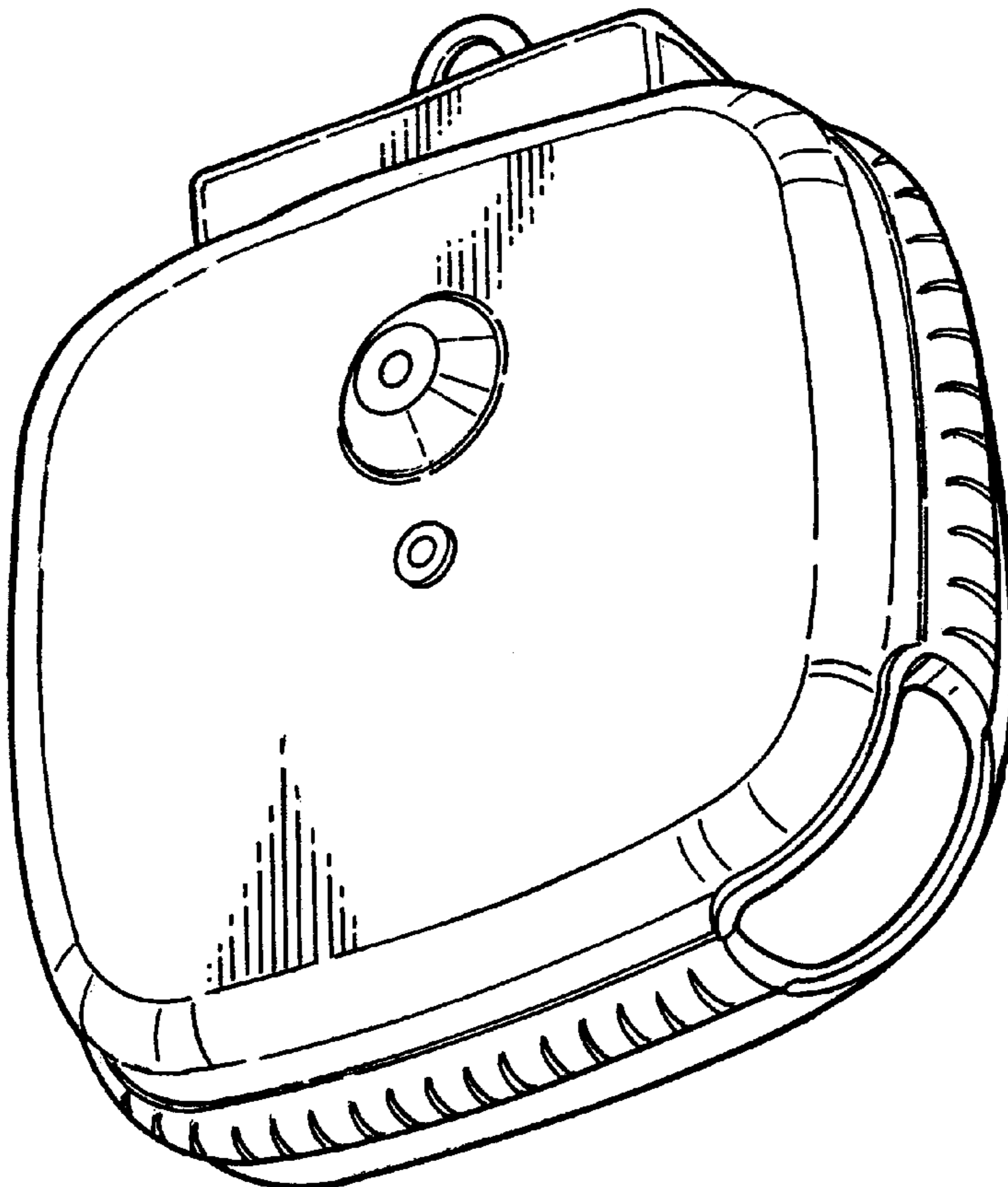


FIG - 1

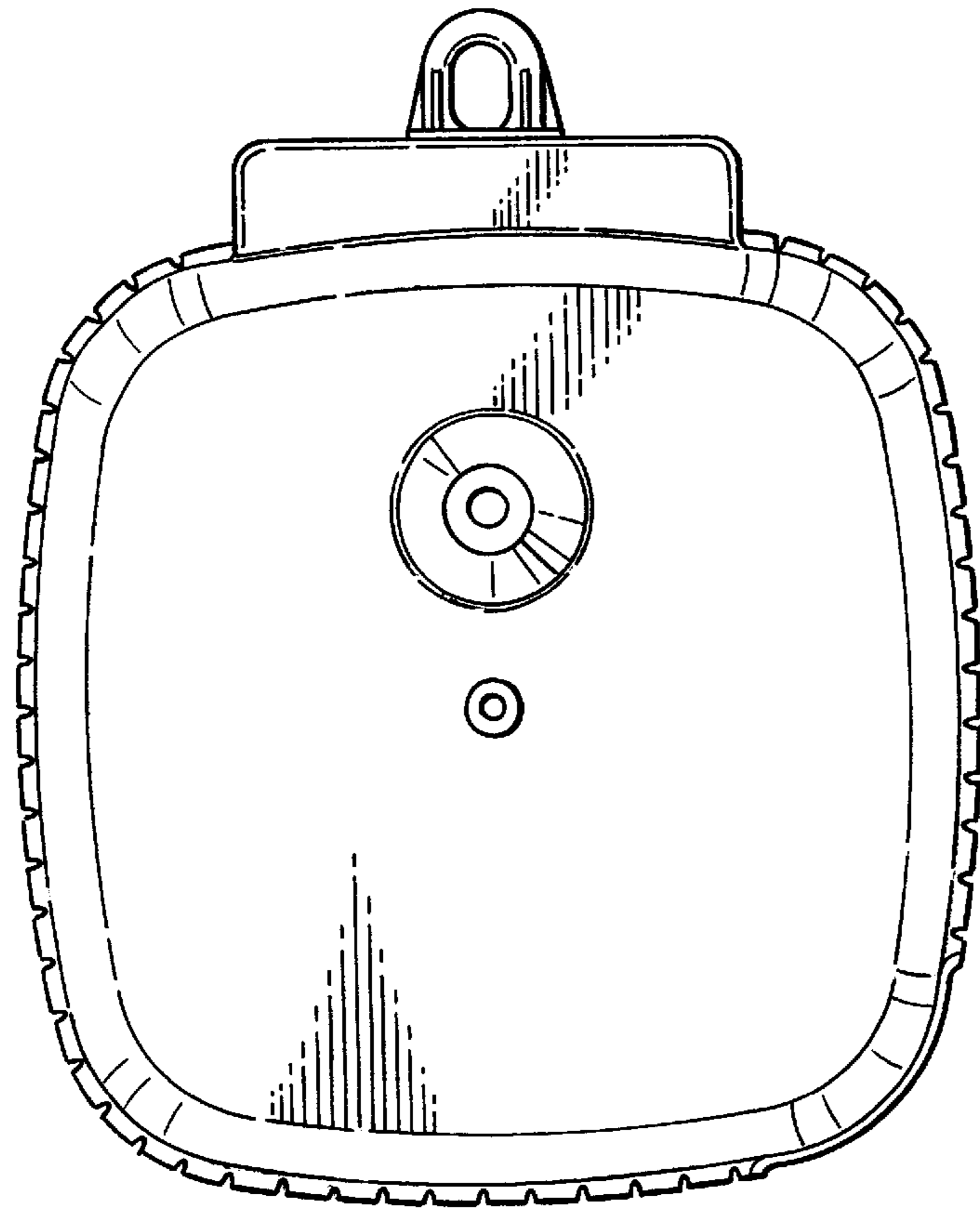
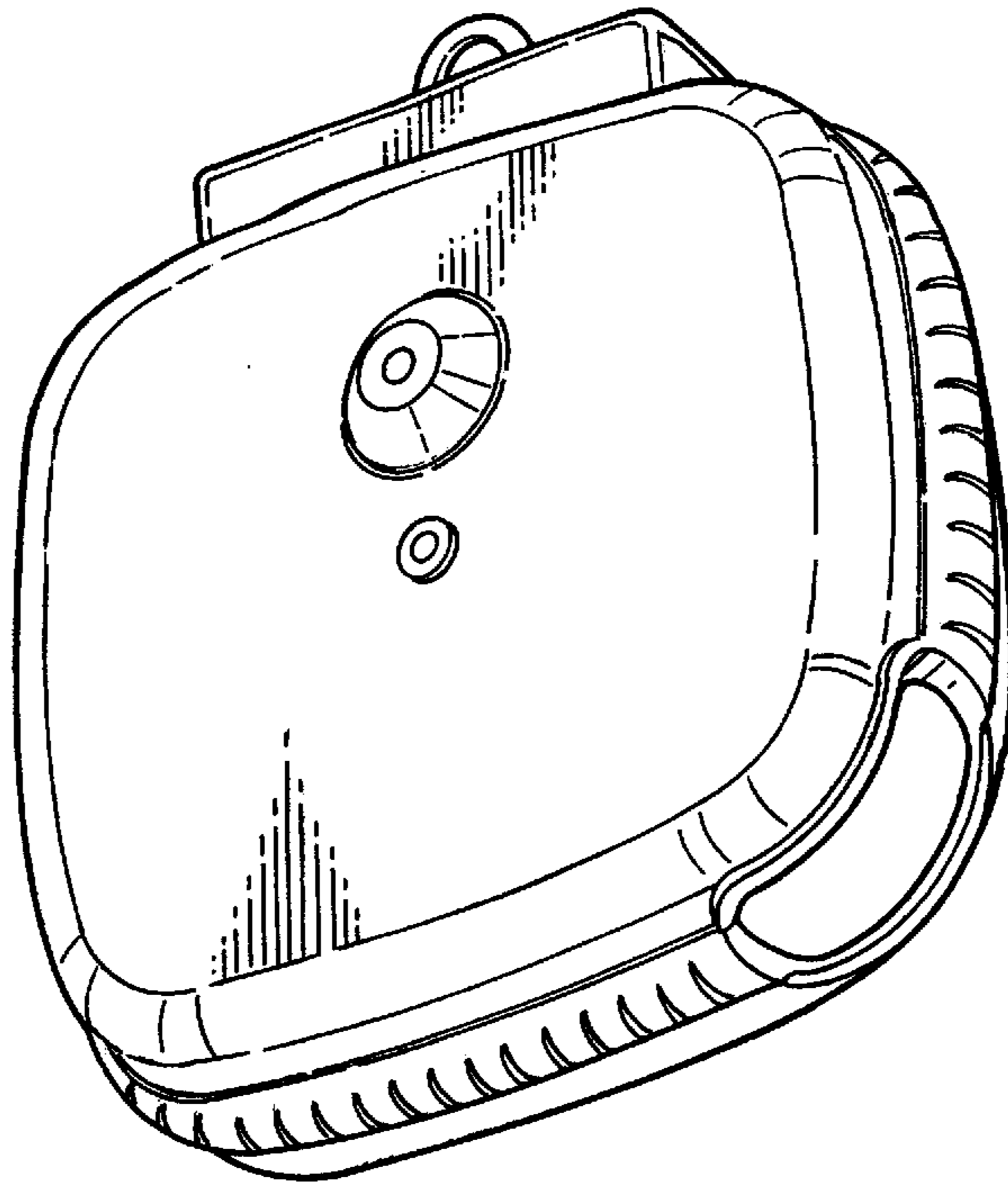


FIG - 2

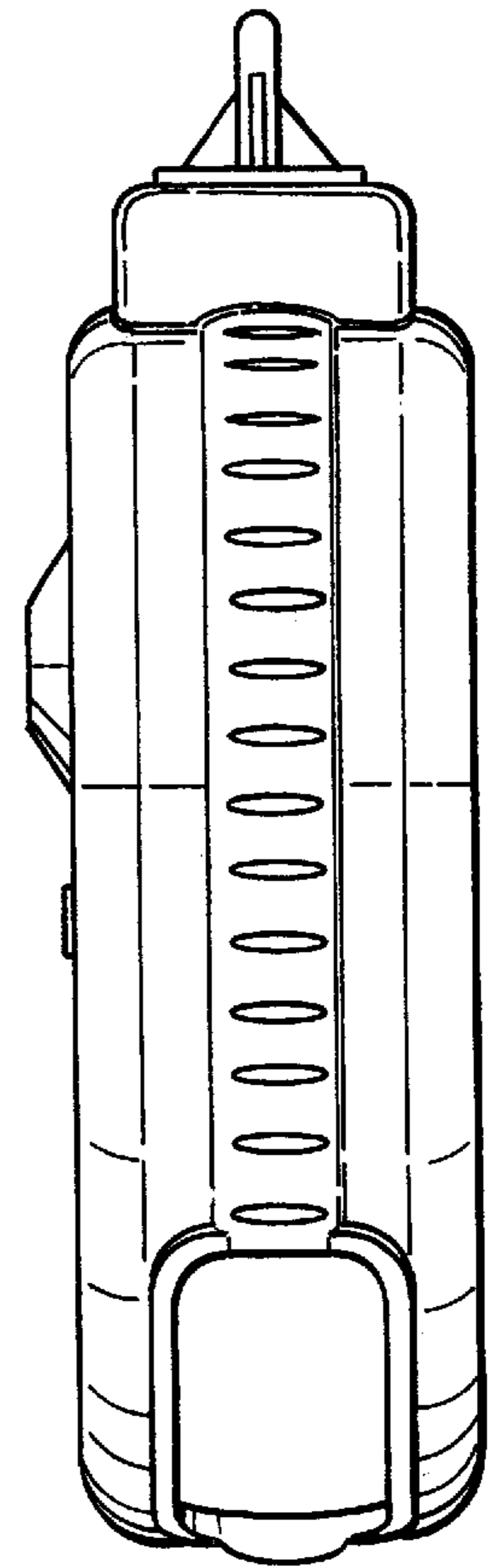


FIG - 3

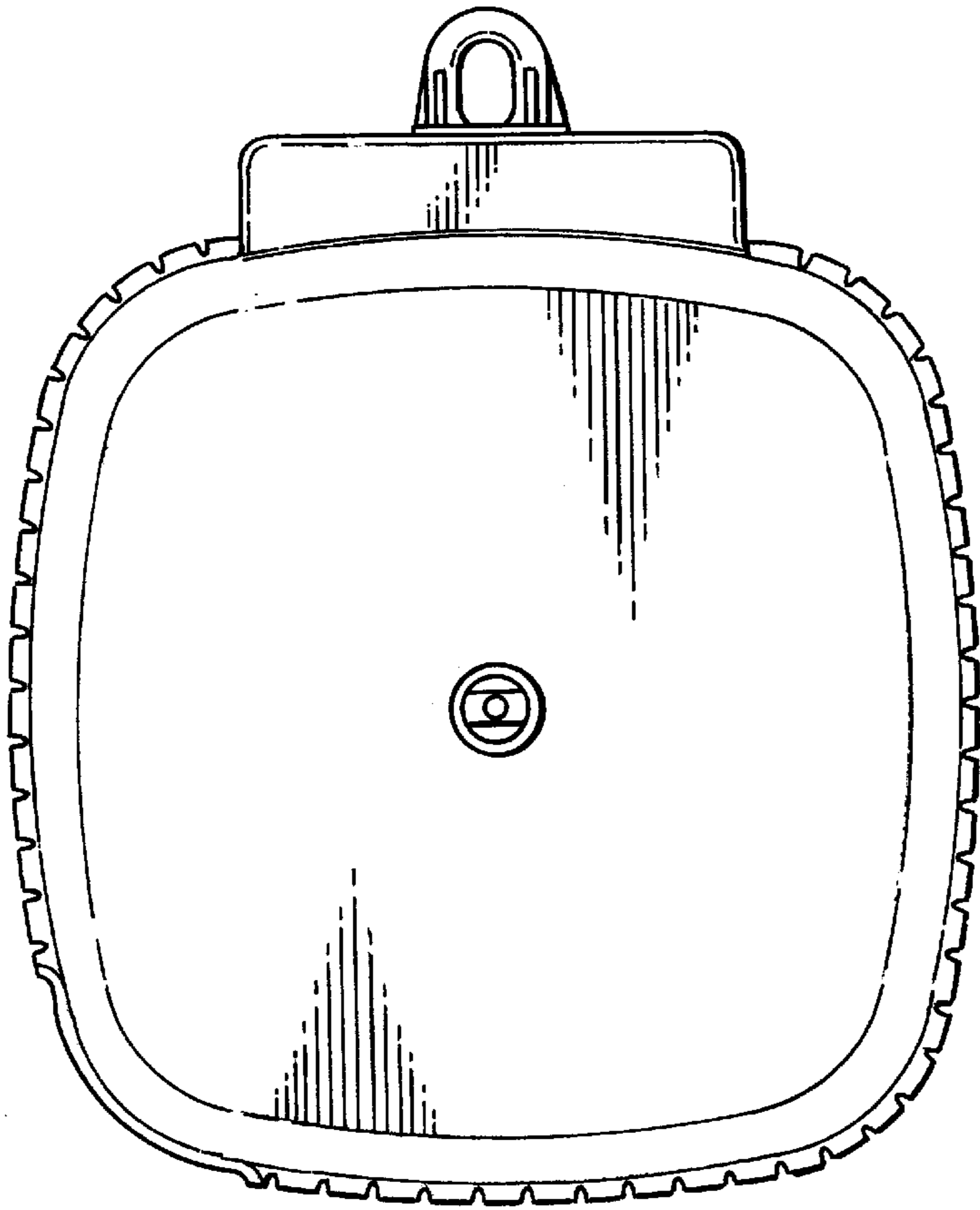


FIG-4

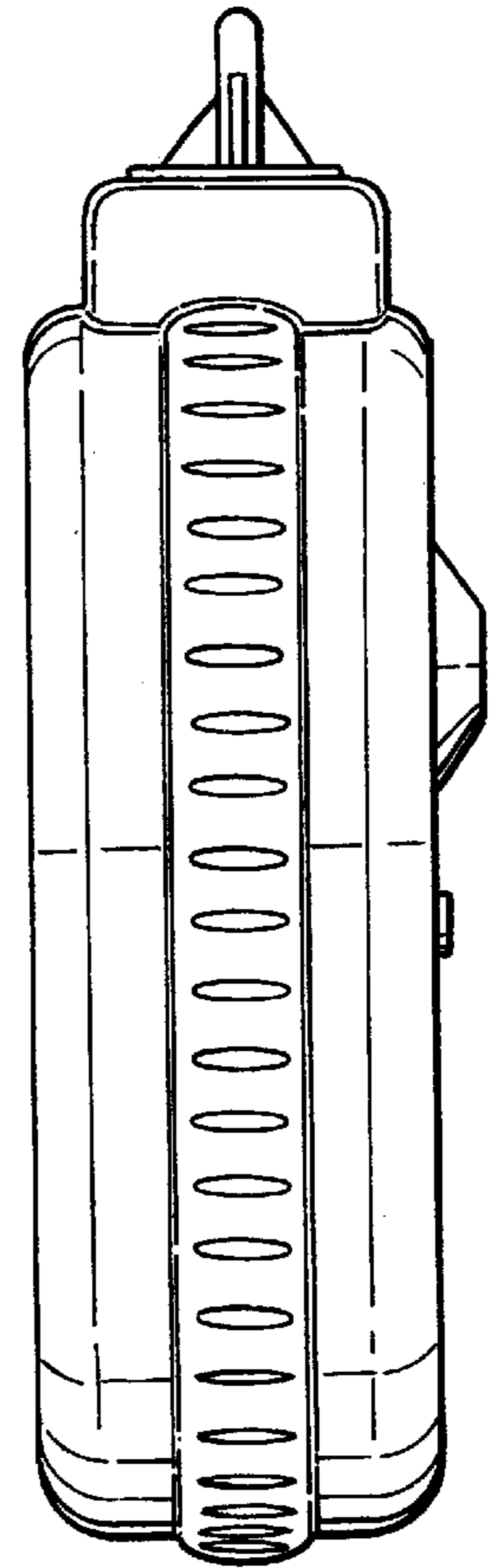


FIG-5

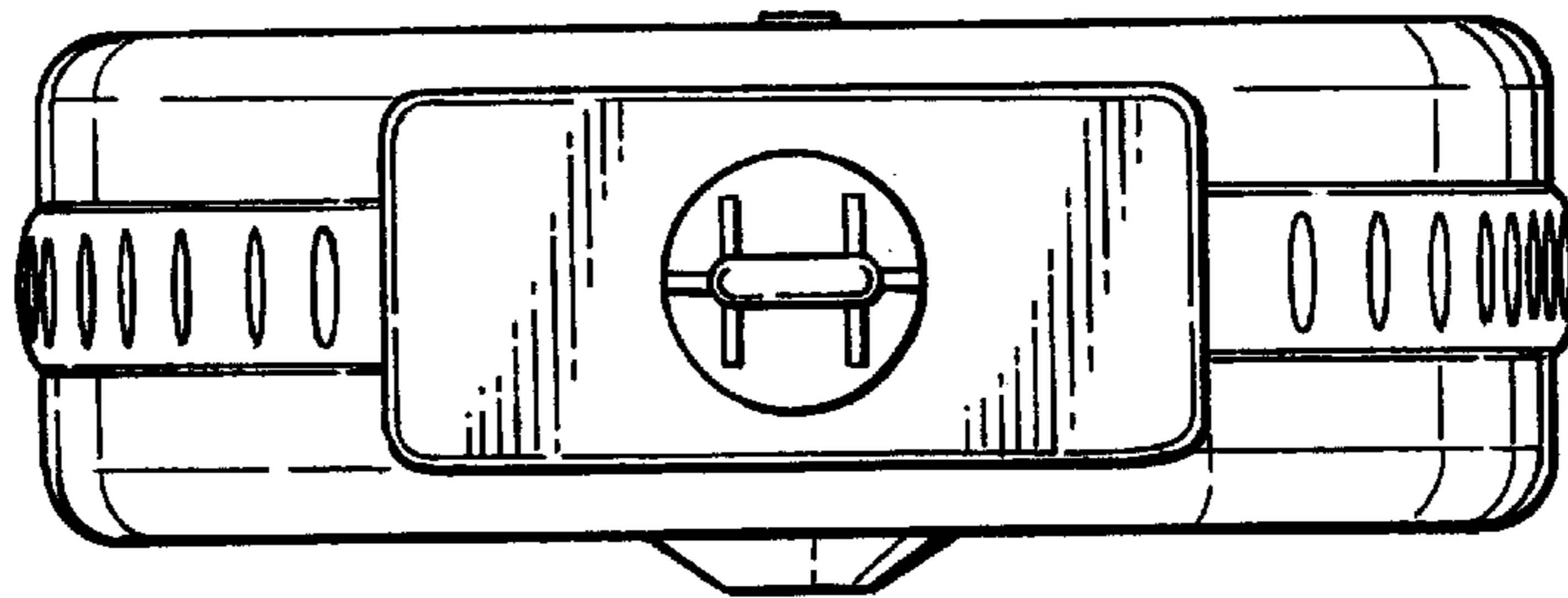


FIG-6

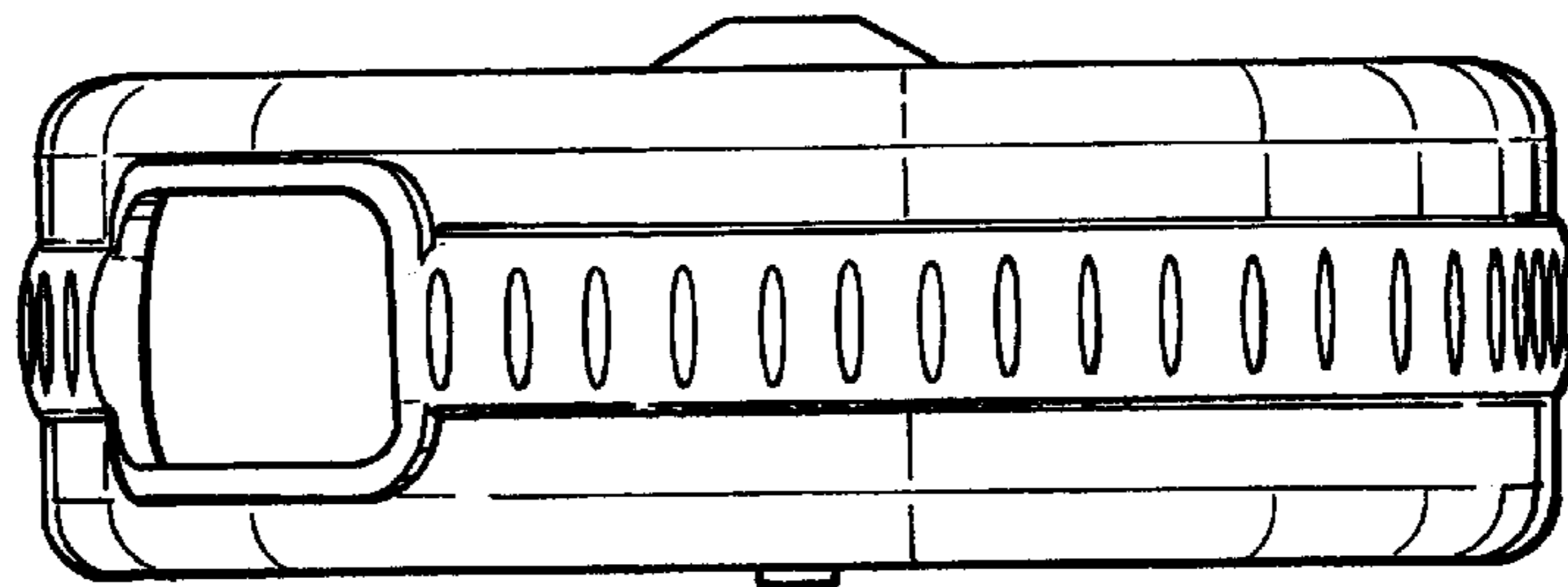


FIG-7