



US00D448977B1

(12) **United States Design Patent**  
**Bleimaier et al.**

(10) **Patent No.: US D448,977 S**

(45) **Date of Patent: \*\* Oct. 9, 2001**

(54) **NO SPLATTER PLATTER**  
(75) Inventors: **John Kuhn Bleimaier**, Princeton, NJ  
(US); **Vladimir Aituganov**, 301 N.  
Harrison St., Princeton, NJ (US) 08540

(73) Assignee: **Vladimir Aituganov**, Princeton, NJ  
(US)

(\*\*) Term: **14 Years**

(21) Appl. No.: **29/103,125**

(22) Filed: **Apr. 8, 1999**

(51) **LOC (7) Cl.** ..... **07-01**

(52) **U.S. Cl.** ..... **D7/553.6; D7/505; D7/549;**  
**D7/555; D7/553.1**

(58) **Field of Search** ..... **D7/501, 505, 538,**  
**D7/540, 541, 542, 543, 545, 546, 549,**  
**553.6, 553.7, 555, 557, 562, 564, 565,**  
**572, 576, 586, 608, 357, 360, 354, 356,**  
**503, 611, 602, 619, 552.1, 547, 609, 553.1,**  
**629; 220/575, 574, 23.83, 23.8; 206/562,**  
**538, 561**

(56) **References Cited**

**U.S. PATENT DOCUMENTS**

D. 42,682	*	7/1912	Andersen	.....	D7/555
292,651	*	1/1884	Hentschke	.....	D7/546 X
D. 307,529	*	5/1990	Baetens	.....	D7/505
D. 331,860	*	12/1992	Stanfield	.....	D7/549
D. 378,792	*	4/1997	Westcott	.....	D7/501
D. 384,556	*	10/1997	Logan et al.	.....	D7/546
D. 392,156	*	3/1998	Michael	.....	D7/546
2,427,697	*	9/1947	Weidler	.....	D7/555 X

4,961,555	*	10/1990	Egan, Jr.	.....	220/23.83
4,989,742	*	2/1991	Powell	.....	220/23.83 X
5,085,391	*	2/1992	Berger et al.	.....	220/23.83 X
5,110,170	*	5/1992	Boatwright	.....	220/23.83 X
5,727,678	*	3/1998	Chen	.....	220/574
5,803,305	*	9/1998	Perlis et al.	.....	220/23.8 X
5,947,011	*	9/1999	Xu	.....	220/575 X

\* cited by examiner

*Primary Examiner*—M. N. Pandozzi

(74) *Attorney, Agent, or Firm*—Selitto, Behr & Kim

(57) **CLAIM**

The ornamental design for a no splatter platter, as shown and described.

**DESCRIPTION**

FIG. 1 is a downward plan view of the no splatter platter of the present invention.

FIG. 2 is an upward plan view of the no splatter platter of FIG. 1.

FIG. 3 is a front elevational view of the no splatter platter of FIG. 1.

FIG. 4 is a rear elevational view of the no splatter platter of FIG. 1.

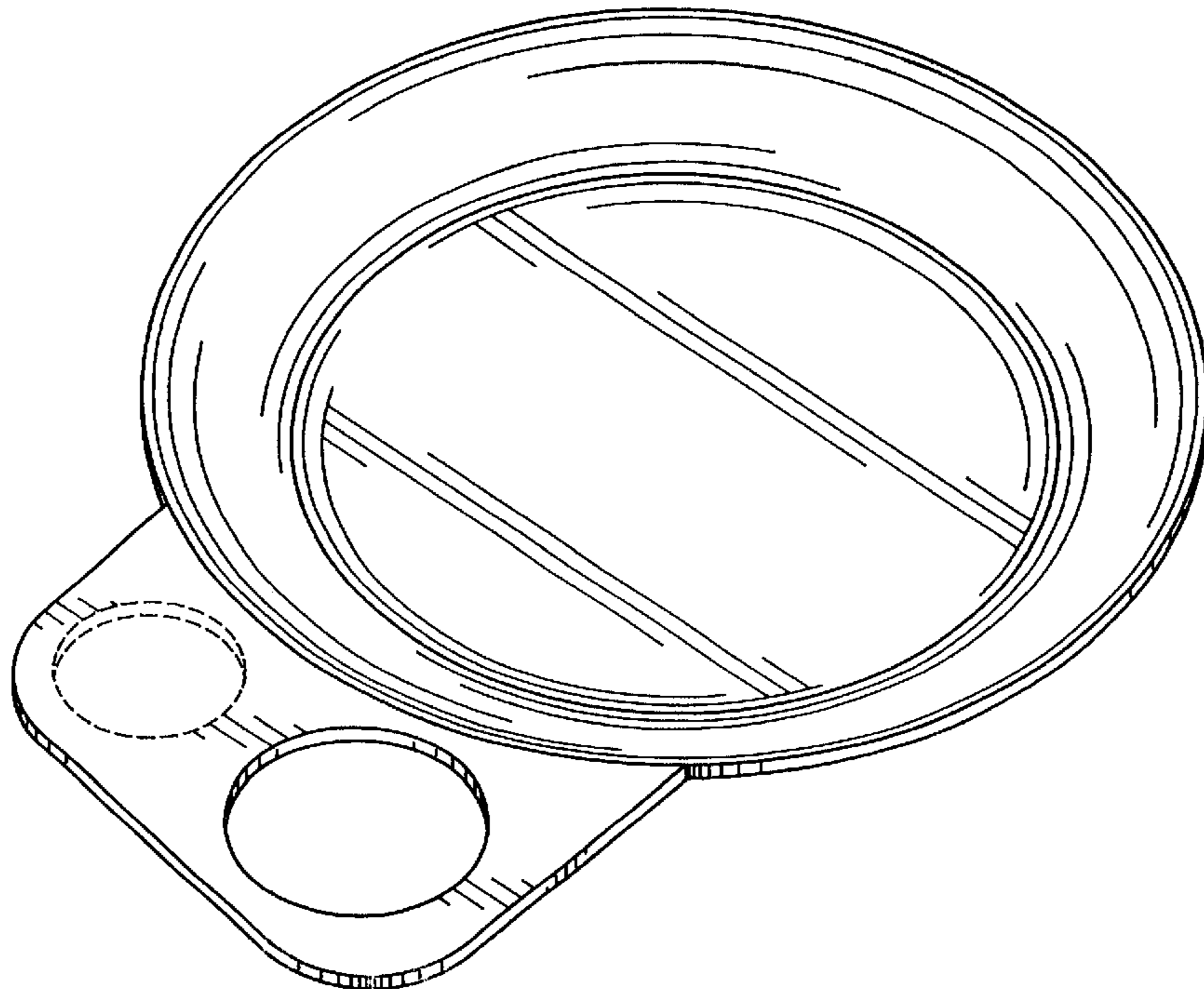
FIG. 5 is a side elevational view from the left of the no splatter platter of FIG. 1.

FIG. 6 is a side elevational view from the right of the no splatter platter of FIG. 1; and,

FIG. 7 is a downward perspective view of the no platter splatter of FIG. 1.

The broken line of a circular opening in FIGS. 1, 2, and 7 is for illustrative purposes only and forms no part of the claimed design.

**1 Claim, 5 Drawing Sheets**



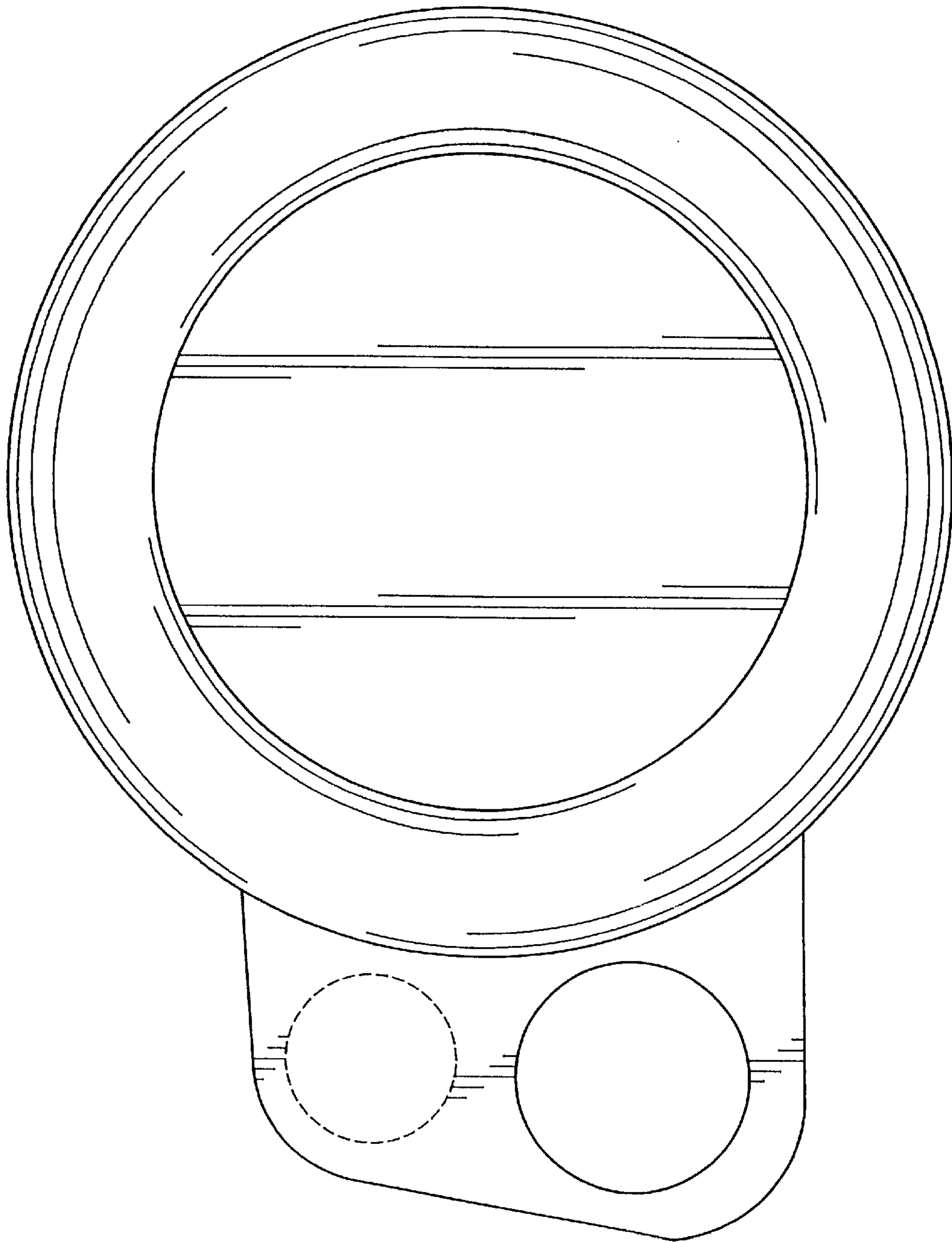


FIG. 1

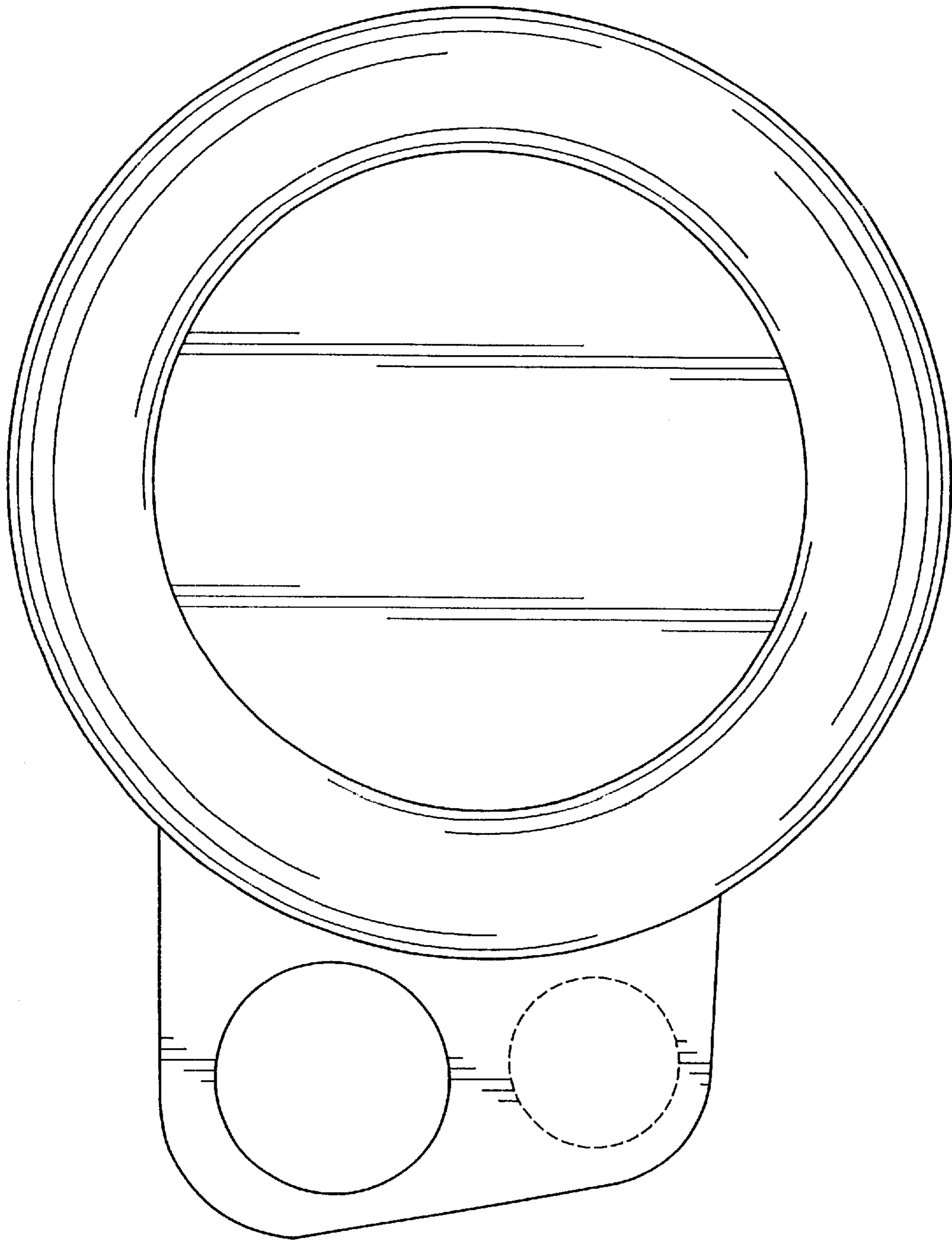


FIG. 2



FIG. 3

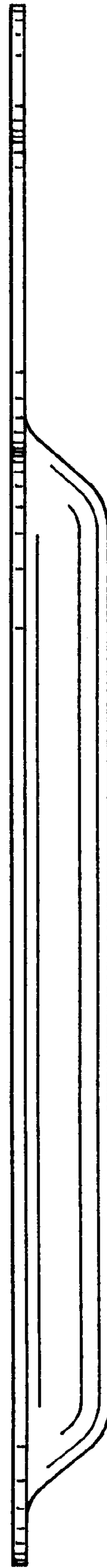


FIG. 4

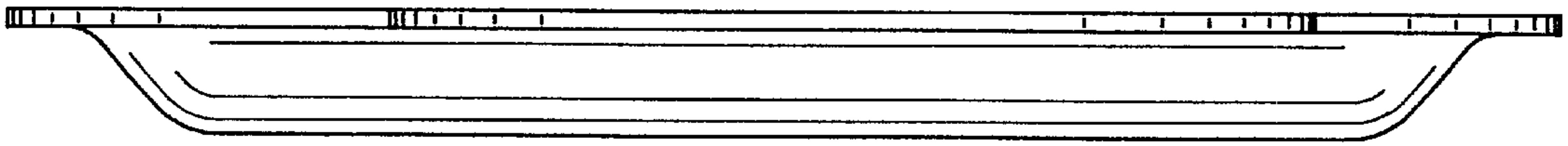


FIG. 5

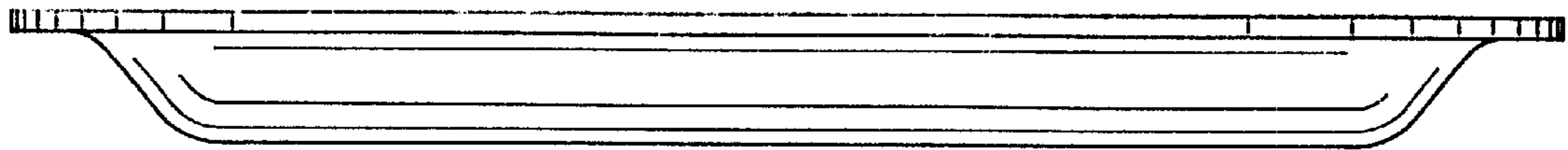


FIG. 6



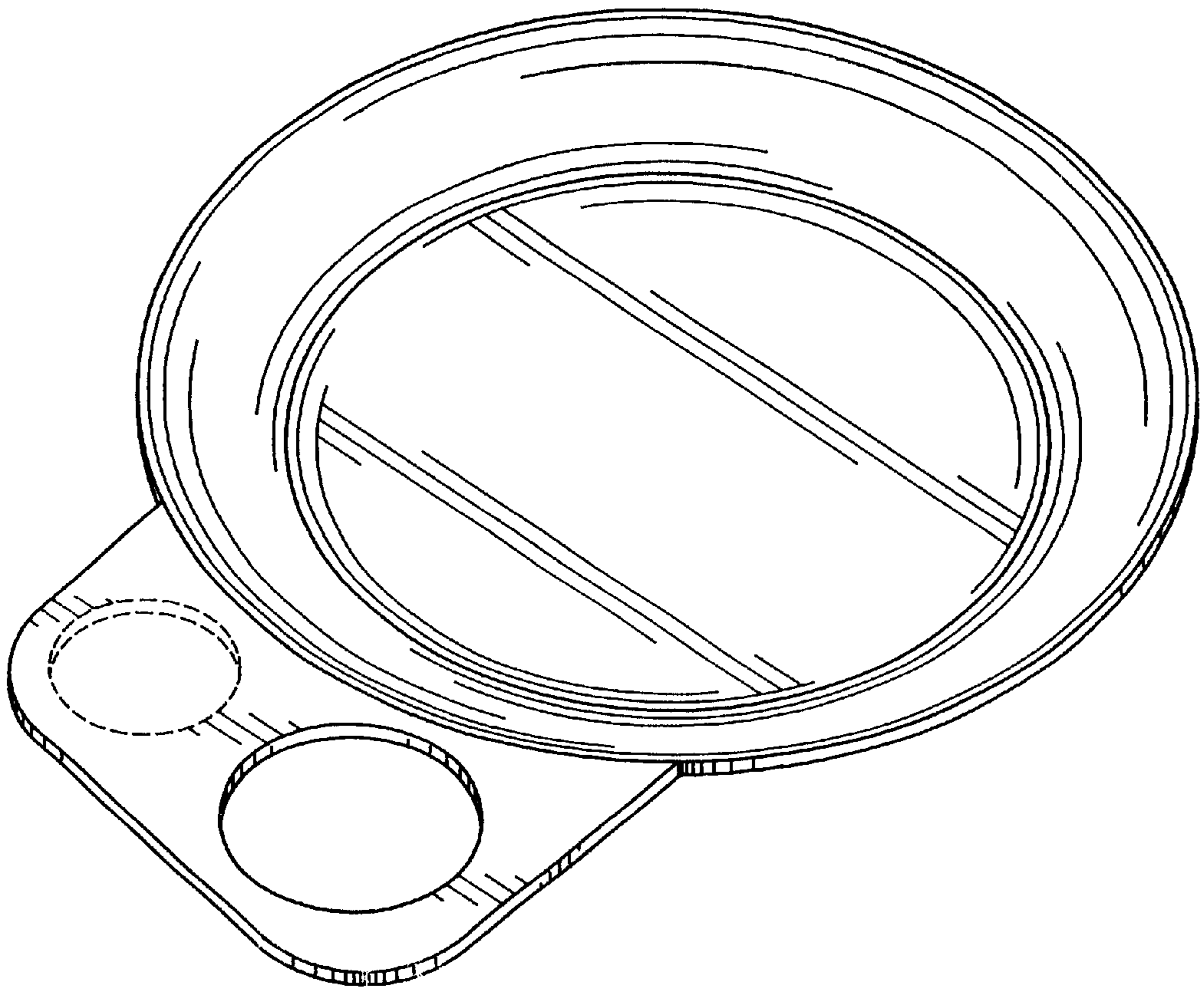


FIG. 7