



US00D448975B1

(12) **United States Design Patent**
Wagner

(10) **Patent No.:** **US D448,975 S**

(45) **Date of Patent:** **** Oct. 9, 2001**

- (54) **BARBECUE GRILL SIDE SHELF**
- (75) Inventor: **Wesley J. Wagner**, Columbus, GA (US)
- (73) Assignee: **W. C. Bradley Company**, Columbus, GA (US)
- (**) Term: **14 Years**
- (21) Appl. No.: **29/127,372**
- (22) Filed: **Aug. 3, 2000**
- (51) **LOC (7) Cl.** **07-02**
- (52) **U.S. Cl.** **D7/402**
- (58) **Field of Search** D7/332-337, 402-404, D7/406; 126/31 R, 40, 50, 9 R, 25 R, 25 A, 25 AA, 29-30, 37 R, 38, 332

- D. 413,229 * 8/1999 Hopkins et al. D7/406
- D. 416,441 * 11/1999 Wagner et al. D7/406
- D. 417,588 * 12/1999 Wagner et al. D7/406
- D. 435,396 * 12/2000 Wagner D7/402
- D. 436,004 * 1/2001 Wagner D7/402

* cited by examiner

Primary Examiner—Ruth McInroy

(74) *Attorney, Agent, or Firm*—James W. Kayden; Thomas, Kayden, Horstemeyer & Risley

(57) **CLAIM**

The ornamental design of a barbecue grill side shelf, as shown and described.

DESCRIPTION

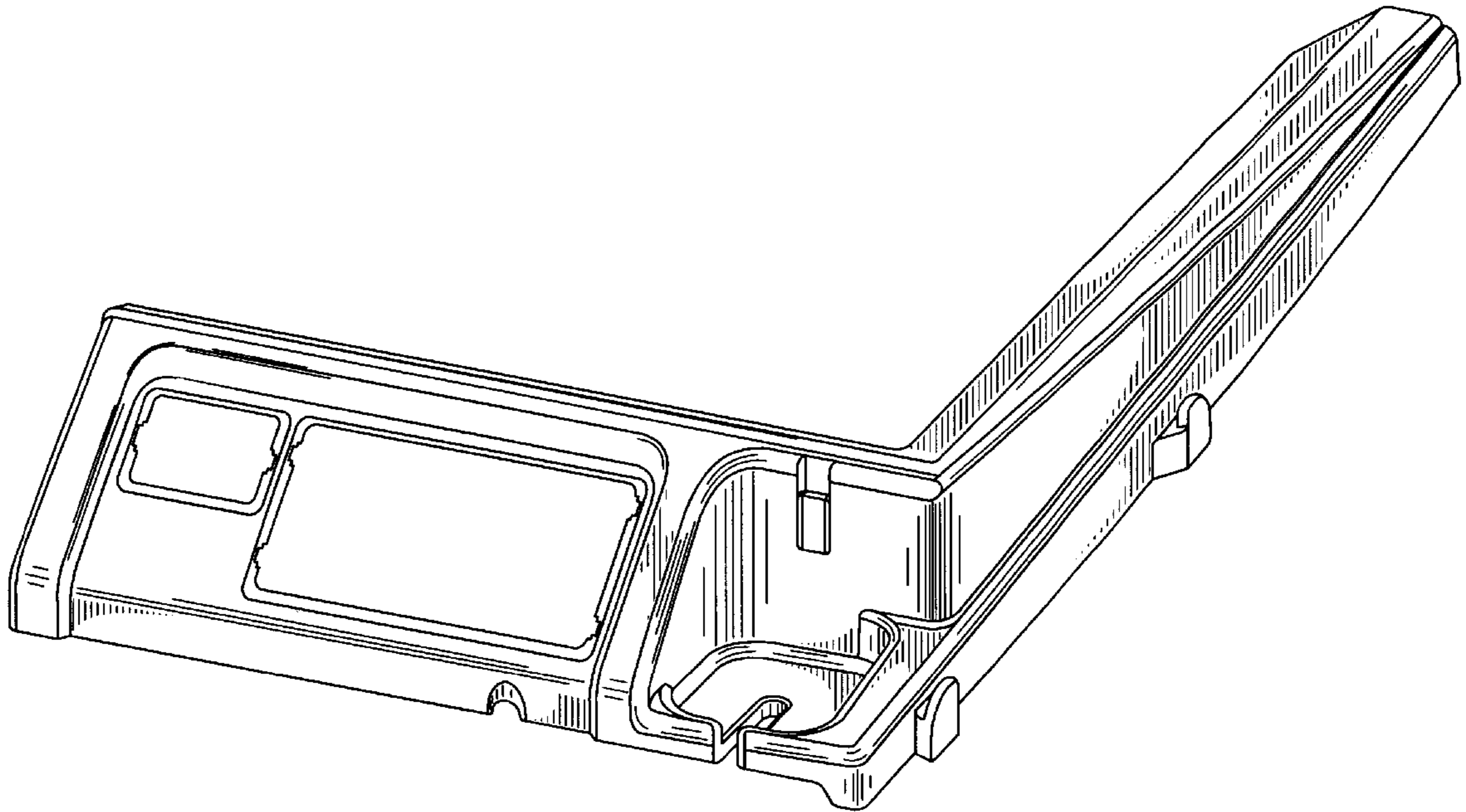
FIG. 1 is a perspective view showing my new barbecue grill side shelf;
 FIG. 2 is a top plan view thereof;
 FIG. 3 is a right side elevational view thereof;
 FIG. 4 is a left side elevational view thereof;
 FIG. 5 is a bottom plan view thereof;
 FIG. 6 is a rear elevational view thereof; and,
 FIG. 7 is a front elevational view thereof.

1 Claim, 5 Drawing Sheets

(56) **References Cited**

U.S. PATENT DOCUMENTS

- D. 377,734 * 2/1997 Bird et al. D7/402
- D. 377,735 * 2/1997 Craven D7/406
- D. 406,488 * 3/1999 Bates et al. D7/334
- D. 413,043 * 8/1999 Wagner et al. D7/406



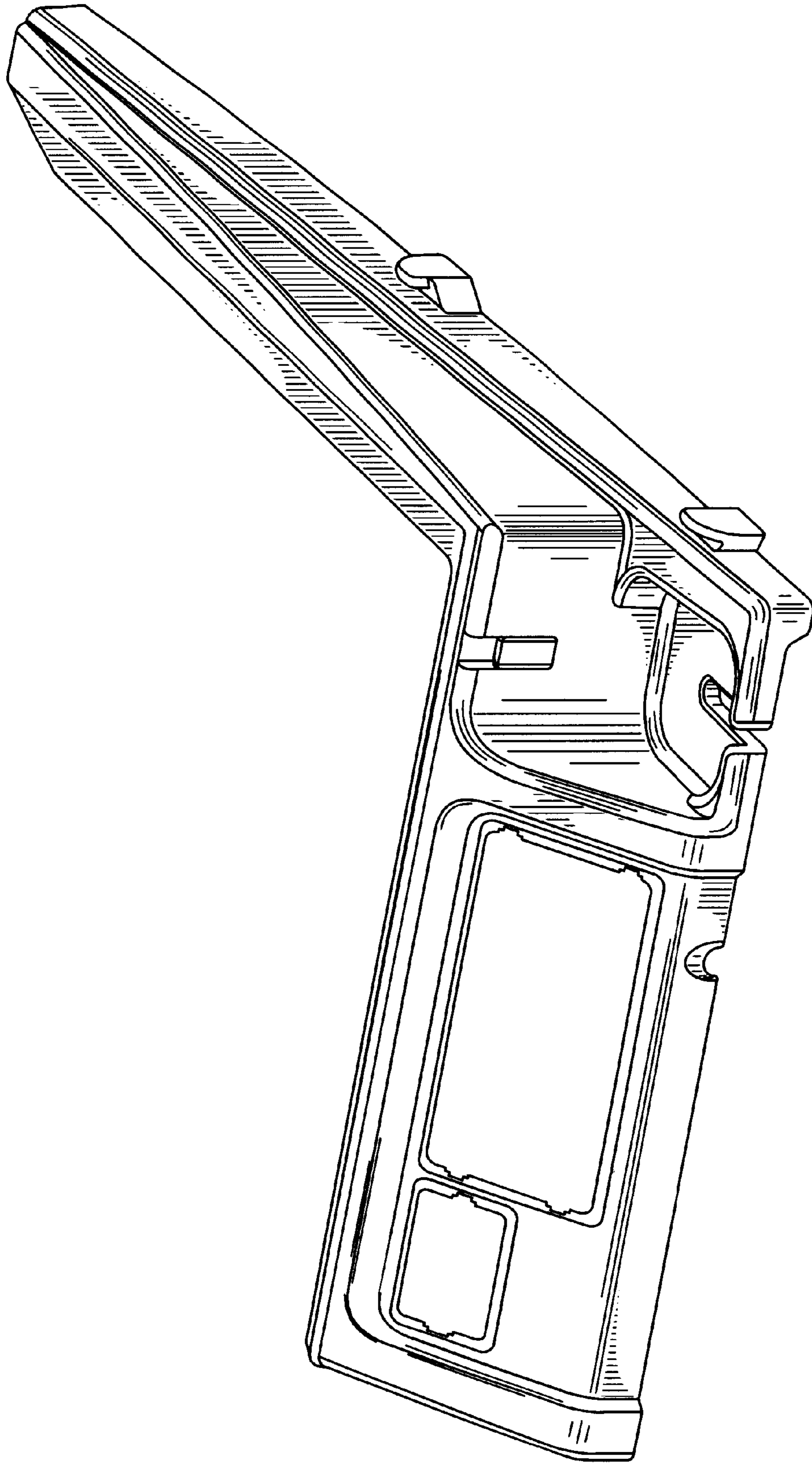


FIG. 1

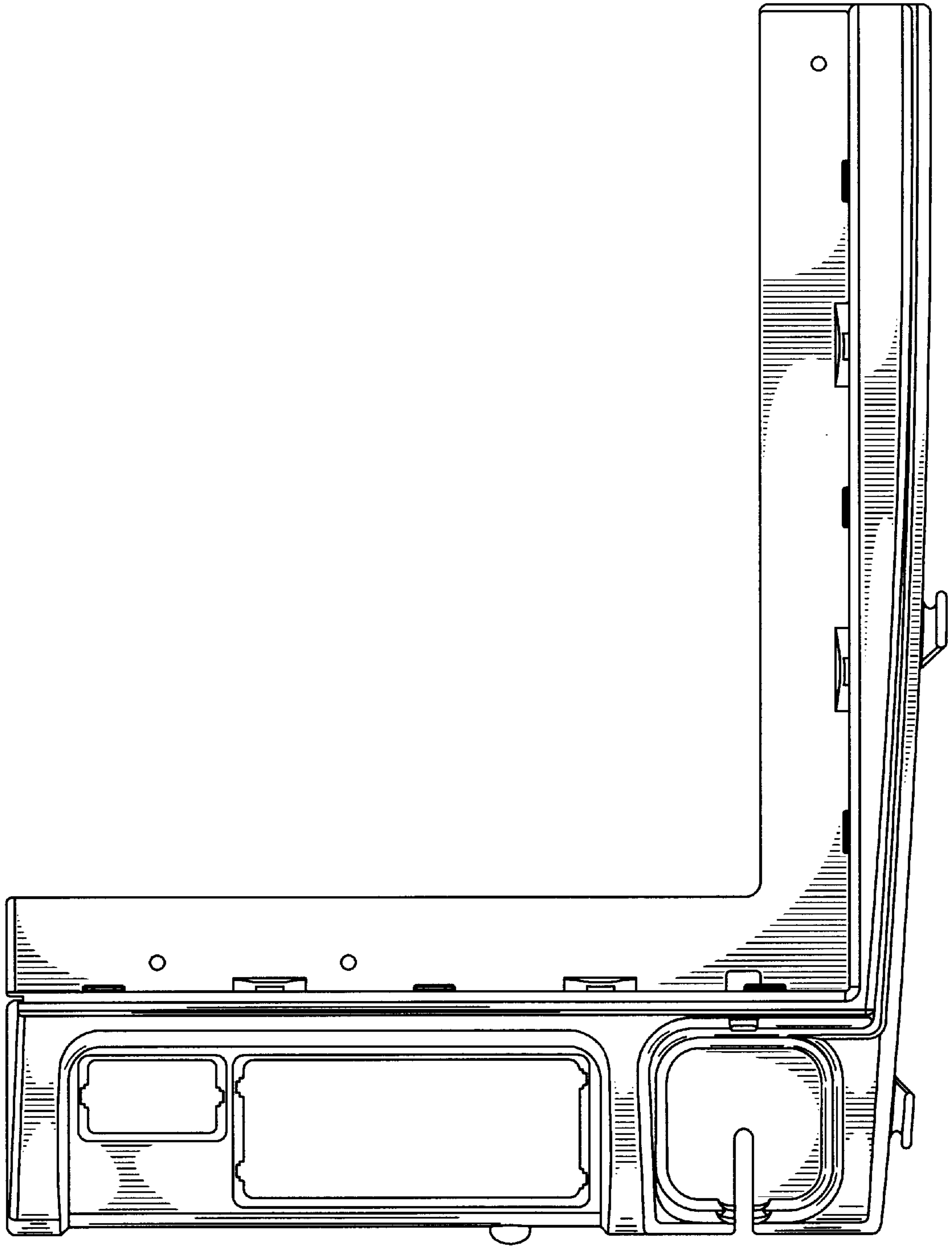


FIG. 2

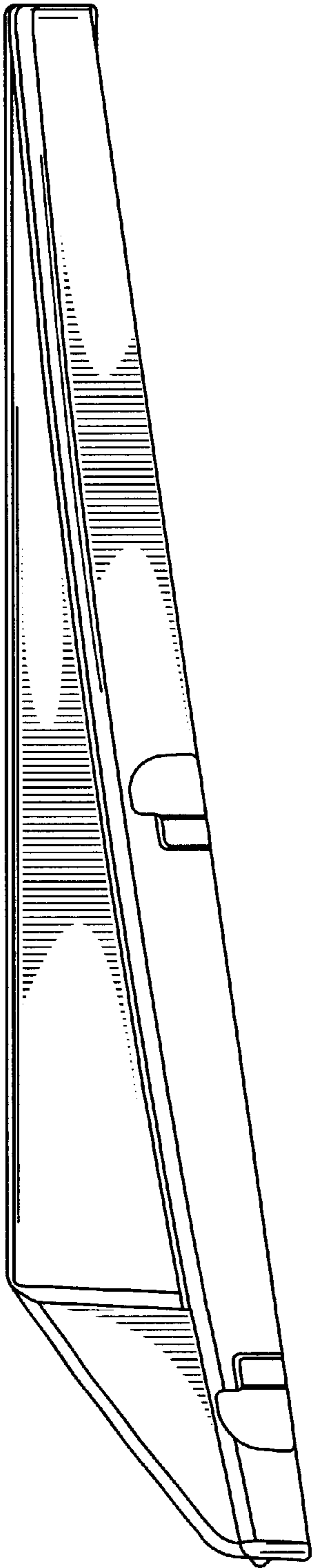


FIG. 3

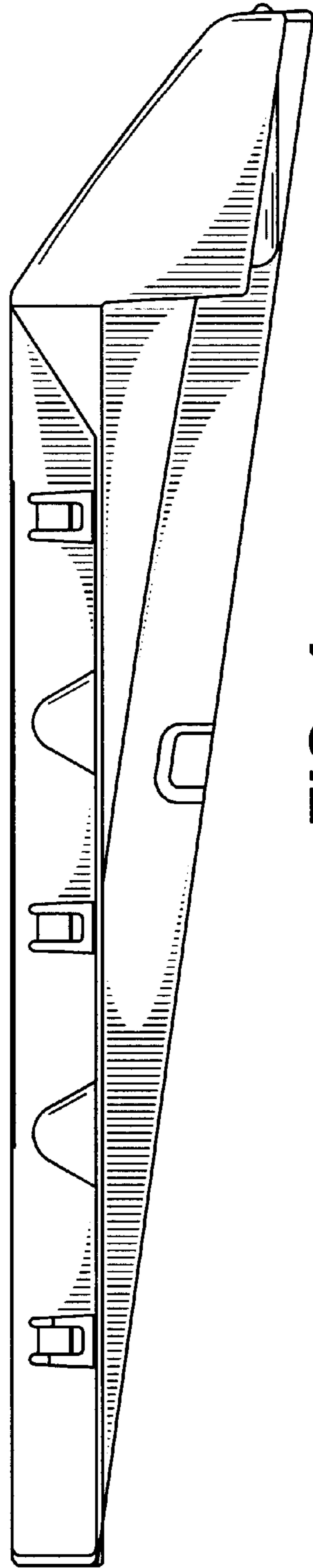


FIG. 4

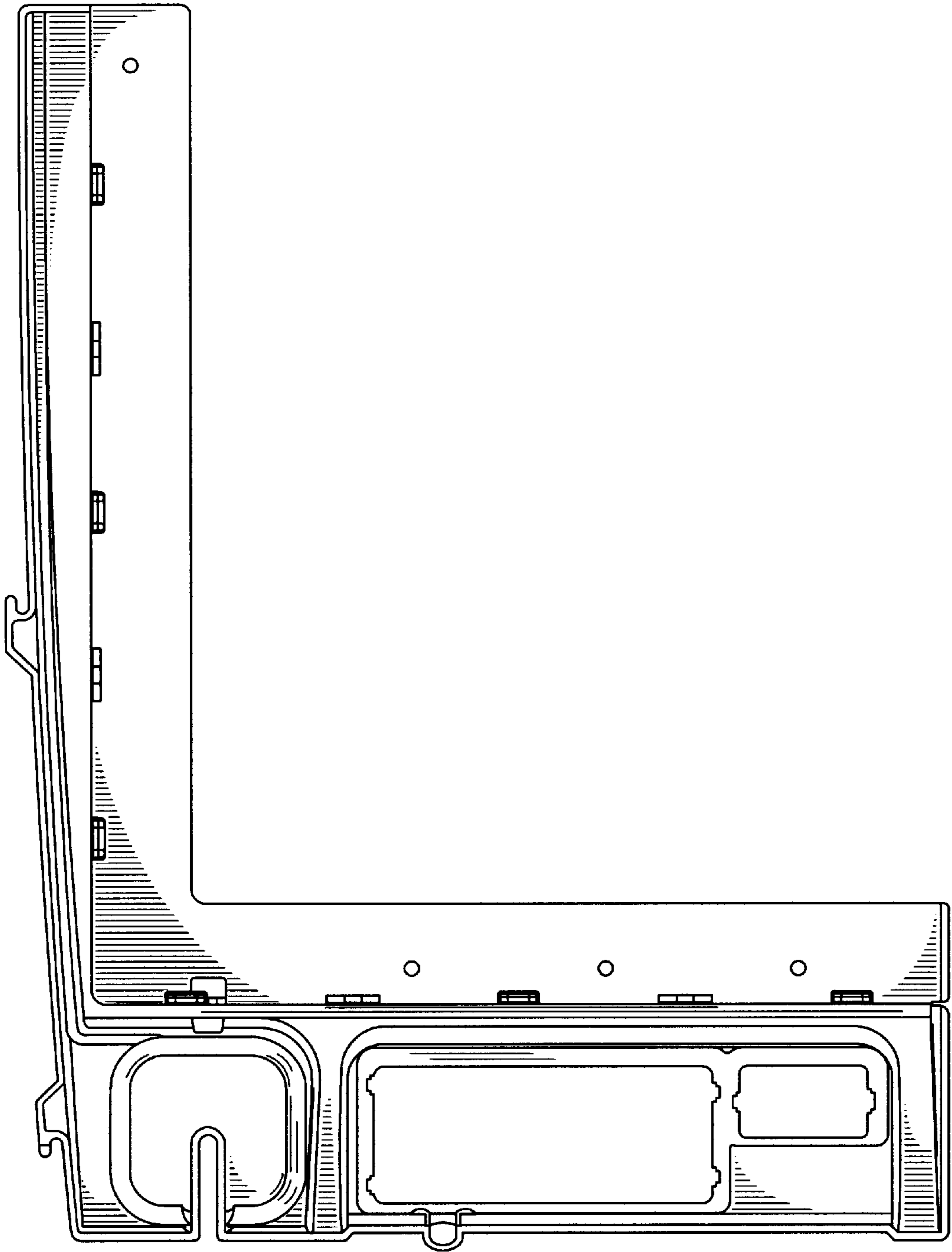


FIG. 5

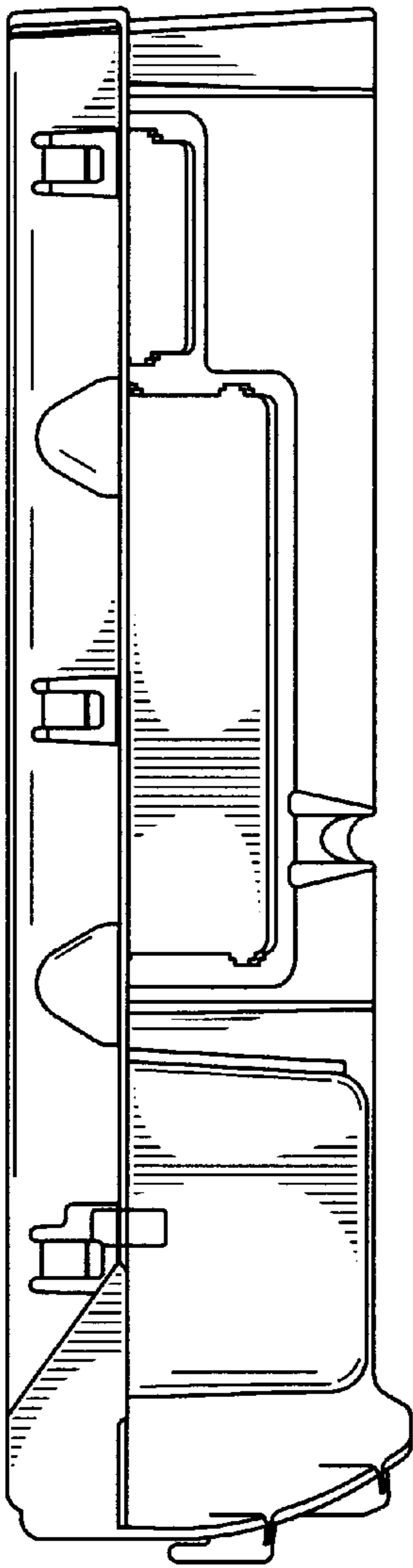


FIG. 6

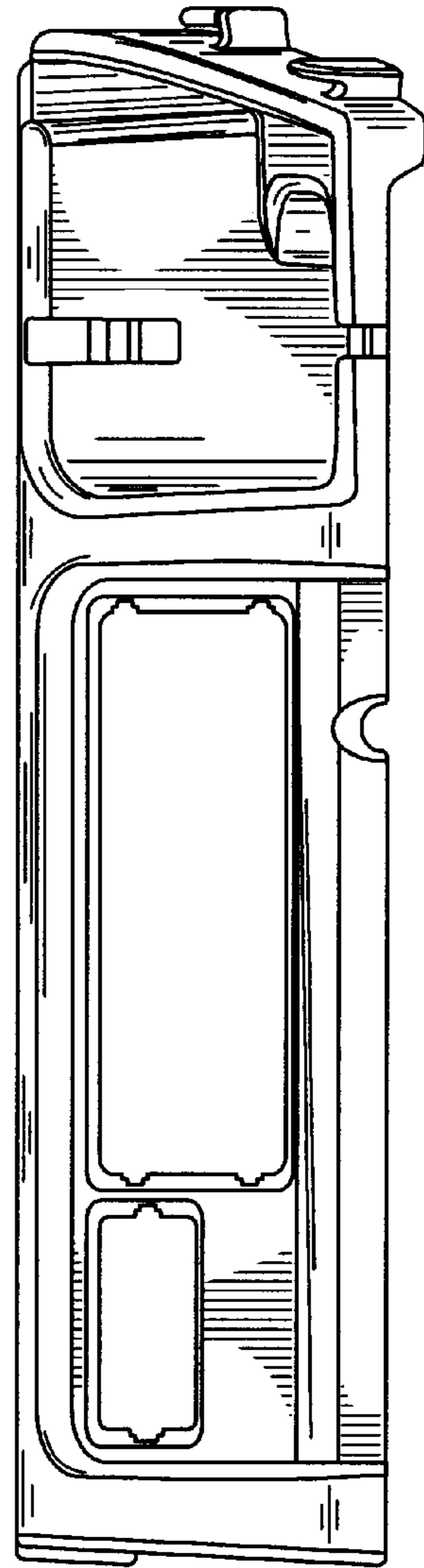


FIG. 7