



US00D448974B1

(12) **United States Design Patent**  
**Hydak et al.**

(10) **Patent No.: US D448,974 S**

(45) **Date of Patent: \*\* Oct. 9, 2001**

(54) **FEED TUBE ADAPTER FOR A BOTTLED WATER COOLER**

(75) **Inventors: Kenneth J. Hydak, Worthington, OH (US); Declan Laurence Coyle; Stephen John Sabin, both of Ballina (IE); Louis M. Busick, Columbus, OH (US)**

(73) **Assignee: Oasis Corporation, Columbus, OH (US)**

(\*\*) **Term: 14 Years**

(21) **Appl. No.: 29/136,873**

(22) **Filed: Feb. 8, 2001**

(51) **LOC (7) Cl. .... 07-01**

(52) **U.S. Cl. .... D7/397; D7/387**

(58) **Field of Search** ..... 141/18, 329, 353, 141/364, 319; 222/185.1, 485.1, 83.5, 325; D7/398, 397, 306, 307, 308, 313; D23/233; D34/39; 62/294; 215/398

(56) **References Cited**

**U.S. PATENT DOCUMENTS**

D. 280,692	*	9/1985	Sullivan	.....	D7/398
D. 331,349	*	12/1992	Culverson	.....	D7/387
D. 366,391	*	1/1996	Haley et al.	.....	D7/397
D. 378,650	*	4/1997	Wong	.....	D7/397
D. 424,167	*	5/2000	Yuen et al.	.....	D23/233
D. 426,746		6/2000	Busick et al.	.	
D. 429,111		8/2000	Busick et al.	.	
996,127		6/1911	Patnaude	.	
1,018,924		2/1912	Patnaude	.	
1,142,210		6/1915	Wagner	.	
1,228,836		6/1917	Schulse	.	
1,241,352		9/1917	Doering et al.	.	
1,248,705		12/1917	Pogue	.	
1,319,376		10/1919	Cooper	.	
1,337,206		4/1920	Doering et al.	.	
1,976,007		10/1934	Cullen et al.	.	
2,057,238		10/1936	Krug	.	
2,811,272		10/1957	Lawlor	.	
3,973,602		8/1976	Kruse	.	

4,597,423		7/1986	Chenot	.	
4,699,188		10/1987	Baker et al.	.	
4,846,236		7/1989	Deruntz	.	
4,874,023		10/1989	Ulm	.	
4,972,976		11/1990	Romero	.	
4,991,635		2/1991	Ulm	.	
5,121,778		6/1992	Baker et al.	.	
5,222,531	*	6/1993	Baker et al.	.....	141/18
5,273,083		12/1993	Burrows	.	
5,289,855	*	3/1994	Baker et al.	.....	141/18
5,295,519	*	3/1994	Baker et al.	.....	141/18
5,337,922		8/1994	Salkeld et al.	.	
5,413,152		5/1995	Burrows	.	
5,454,409		10/1995	McAffer et al.	.	
5,464,127		11/1995	Burrows	.	
5,526,961	*	6/1996	Burrows	.....	222/185.1
5,647,416		7/1997	Desrosiers et al.	.	
5,676,278		10/1997	Beyer et al.	.	
6,029,860		2/2000	Donselman et al.	.	
6,167,921	*	1/2001	Busick et al.	.....	141/18

\* cited by examiner

*Primary Examiner*—M. N. Pandozzi  
(74) *Attorney, Agent, or Firm*—Kelly Bauersfeld Lowry & Kelley, LLP

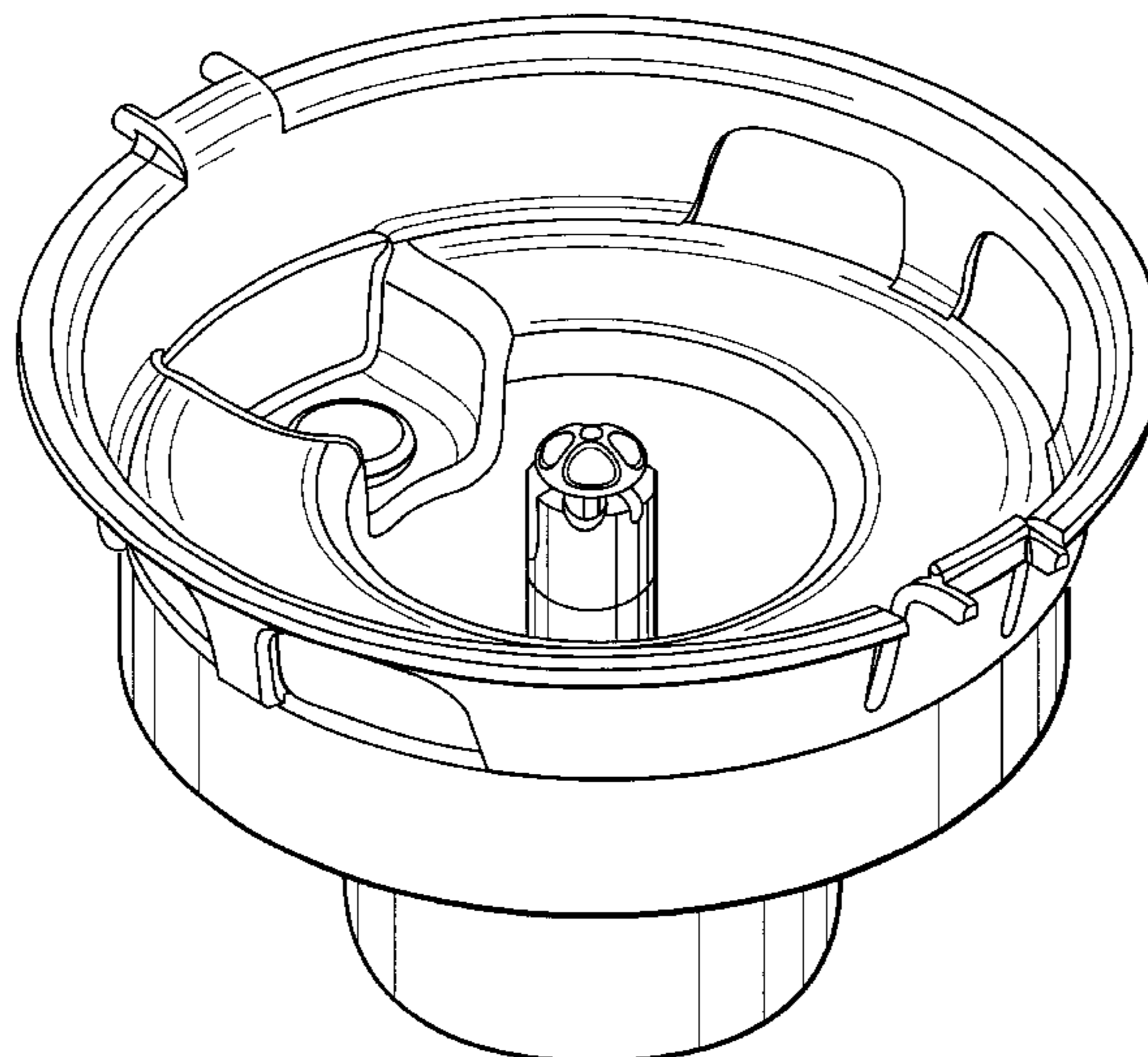
(57) **CLAIM**

The ornamental design for a feed tube adapter for a bottled water cooler, substantially as shown.

**DESCRIPTION**

FIG. 1 is a perspective view showing the top, front and right sides of a feed tube adapter for a bottled water cooler embodying our new design; FIG. 2 is a front elevation view thereof, the rear elevation view being a mirror image of the front side as shown; FIG. 3 is a right side elevation view thereof; FIG. 4 is a left side elevation view thereof; FIG. 5 is a top plan view thereof; FIG. 6 is a perspective view showing the top, front and left sides thereof; FIG. 7 is a bottom plan view thereof; and, FIG. 8 is a perspective view showing the bottom, front and left sides thereof.

**1 Claim, 8 Drawing Sheets**



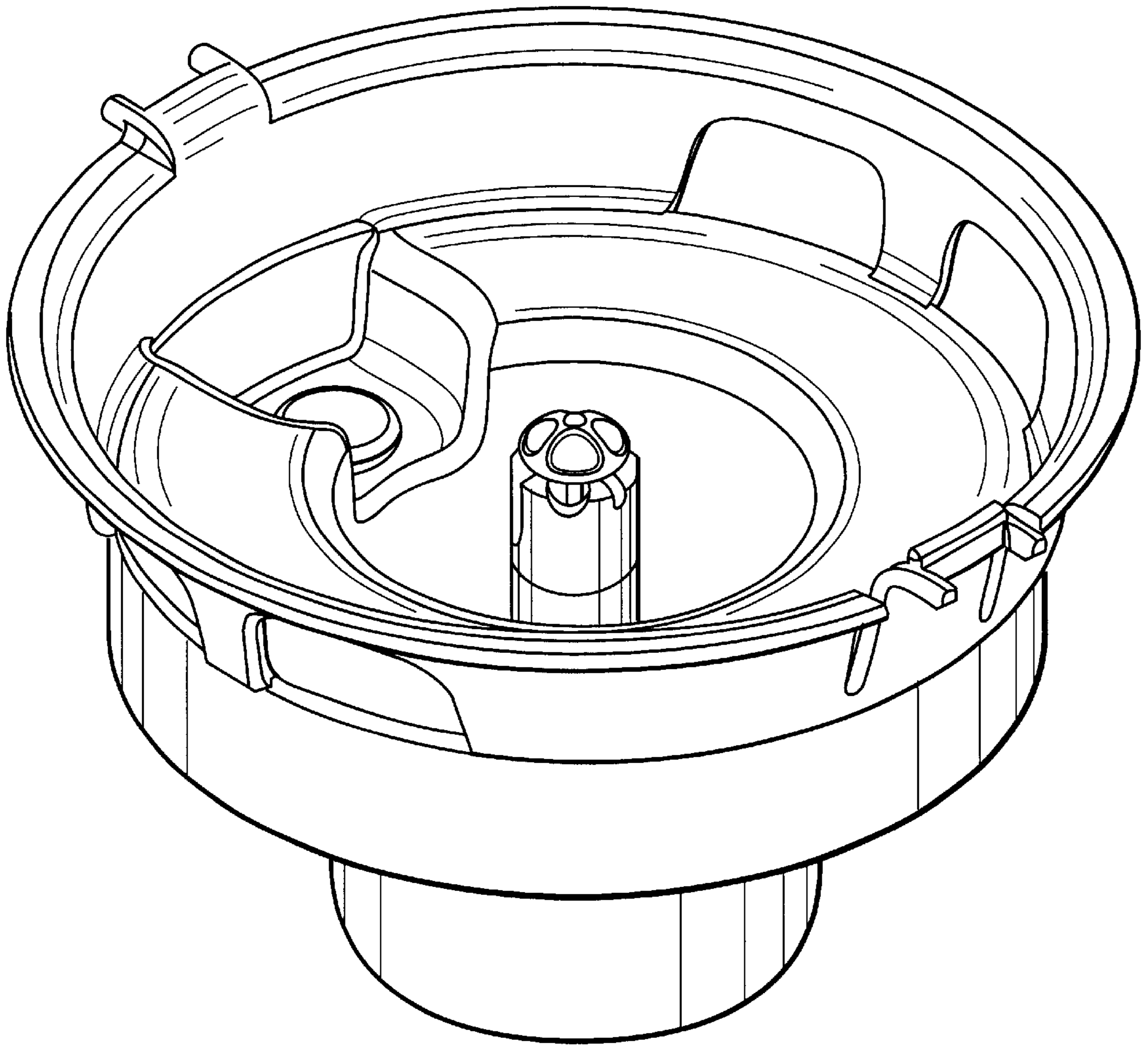


FIG. 1

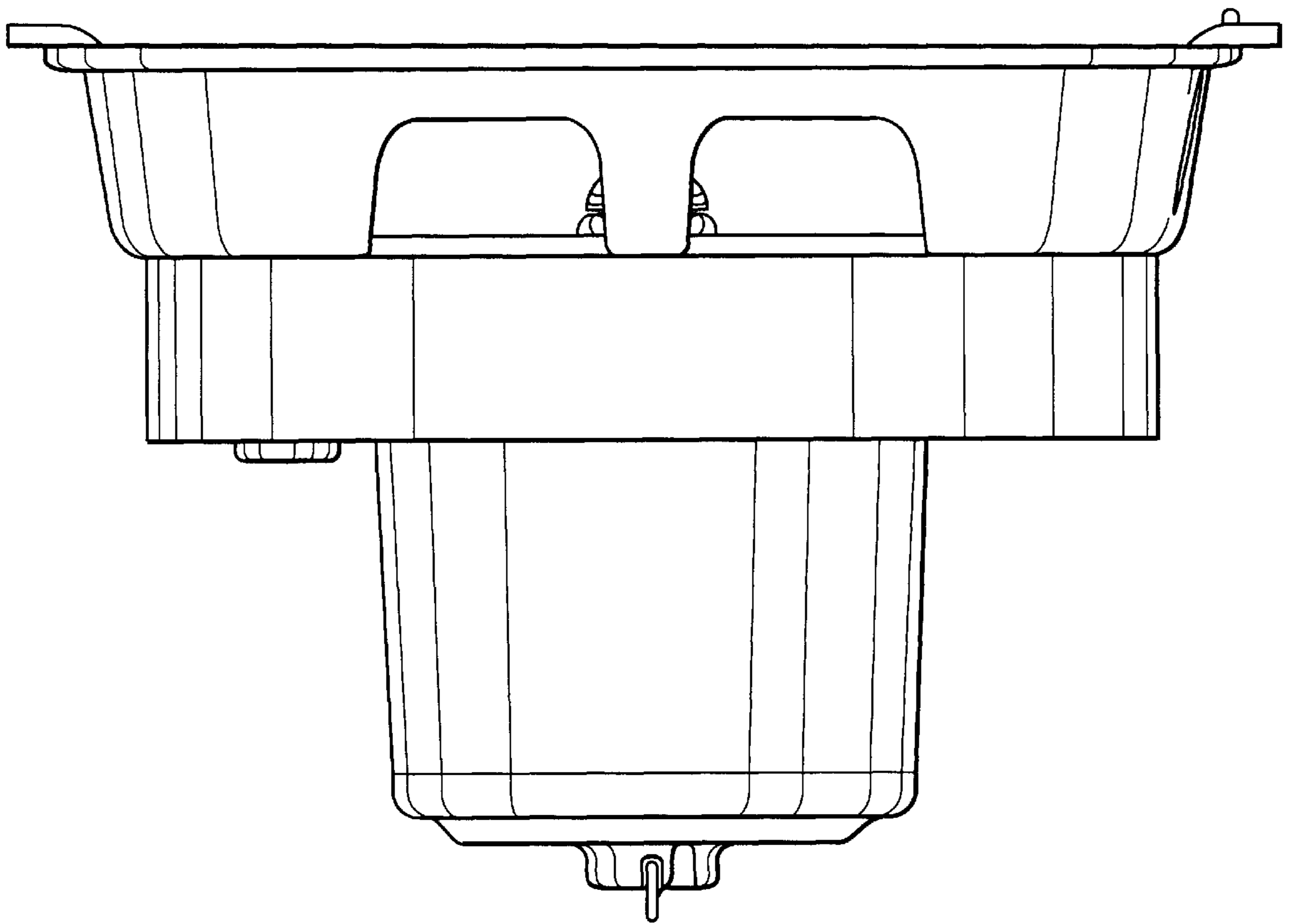


FIG. 2

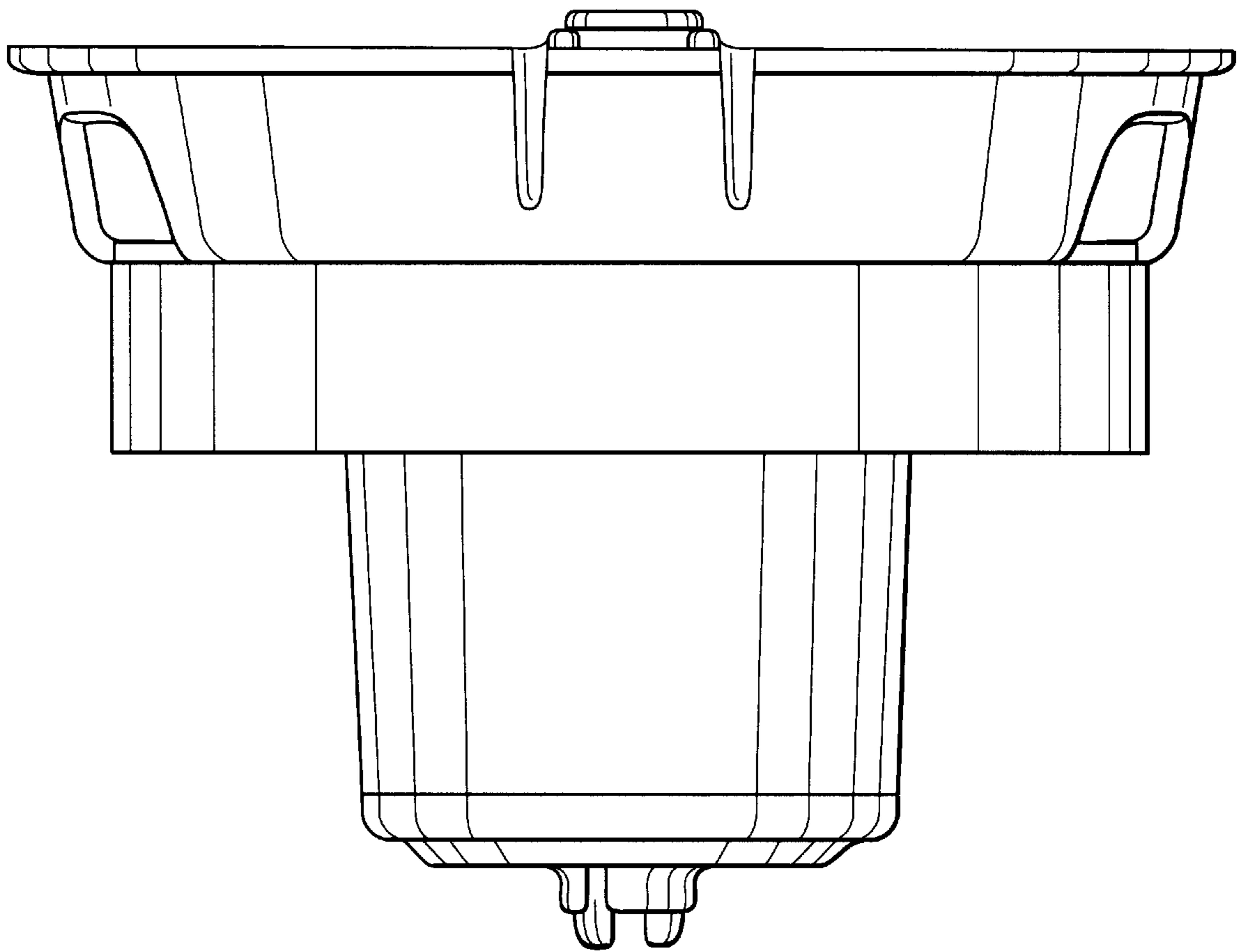


FIG. 3

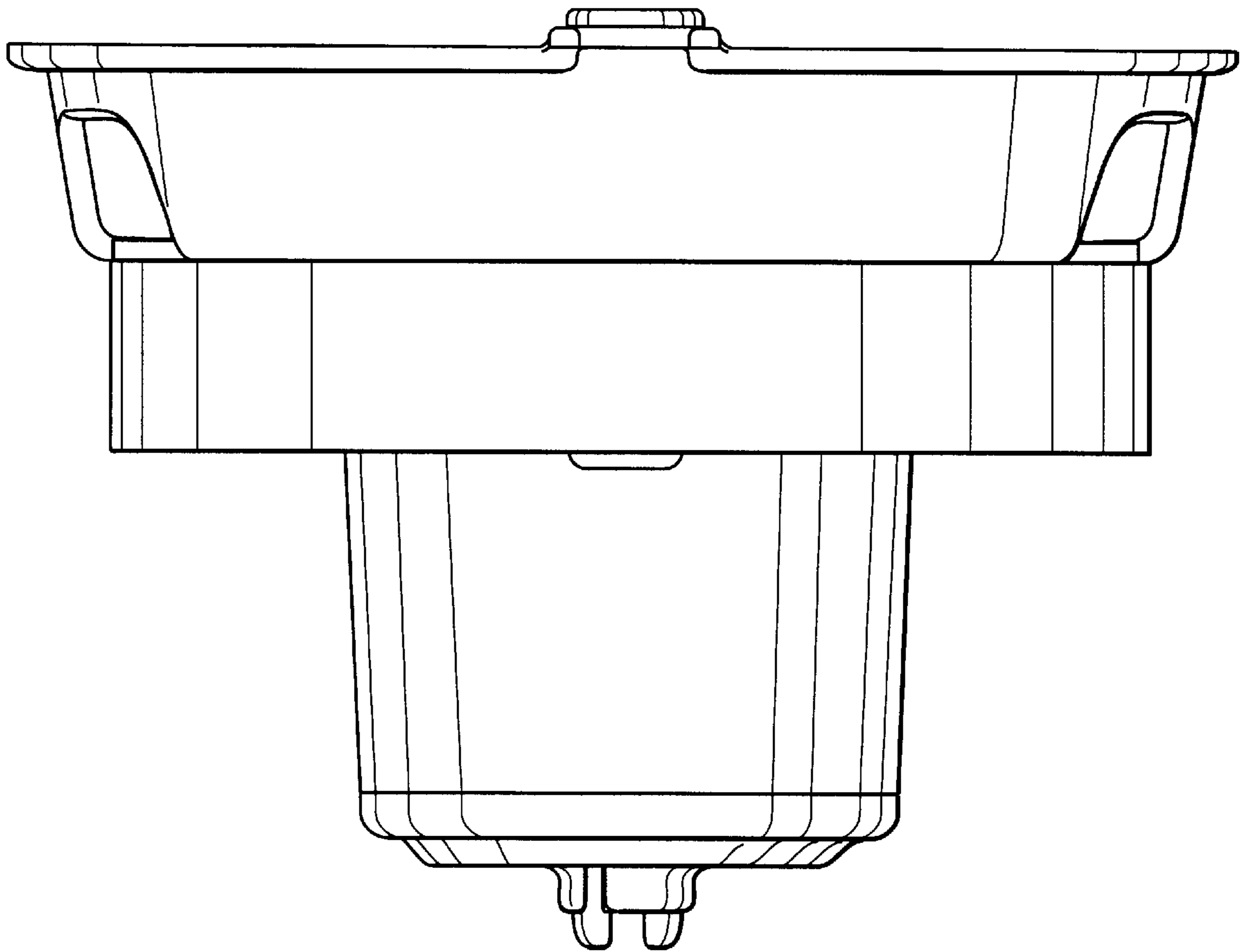


FIG. 4

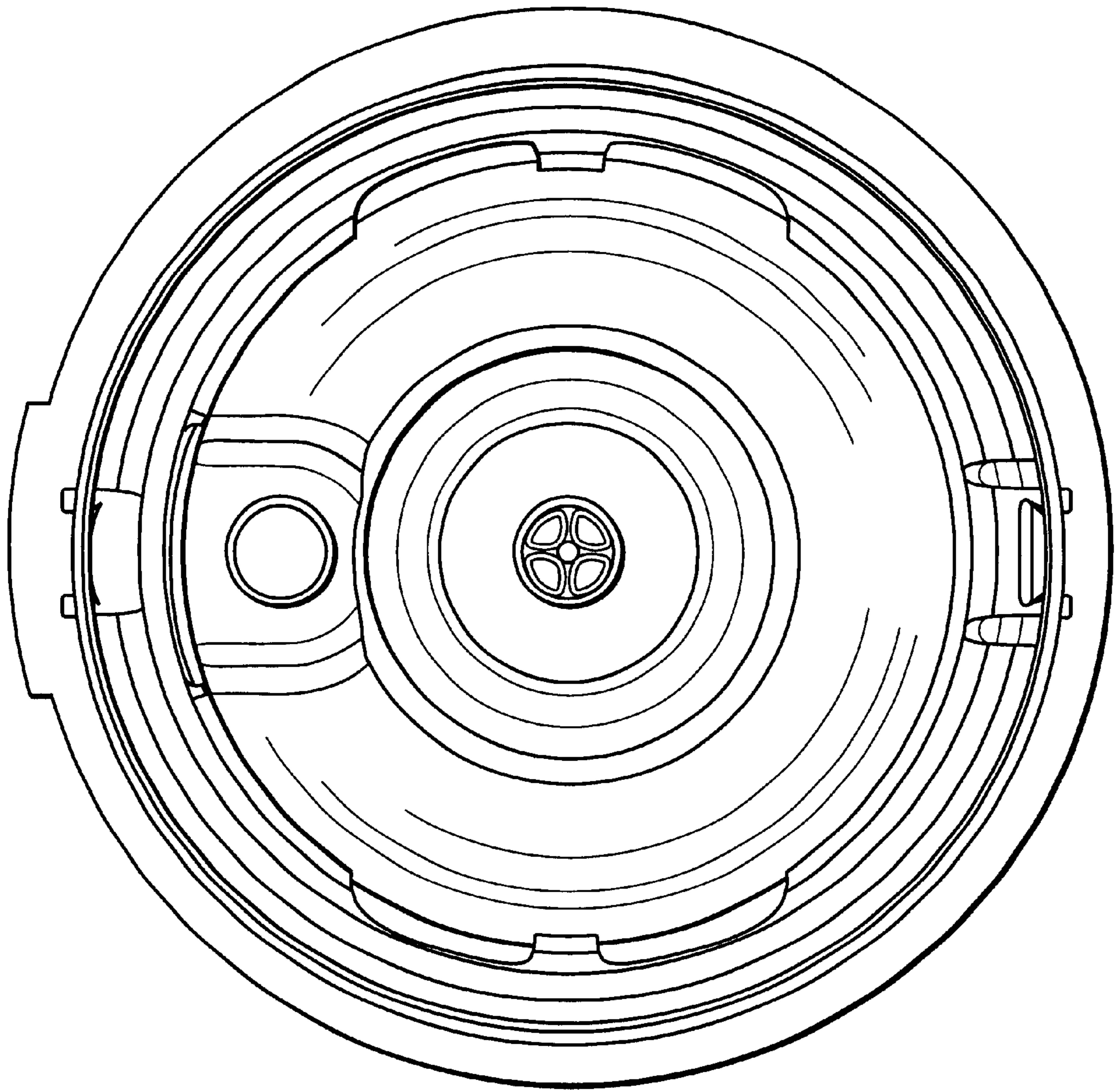


FIG. 5

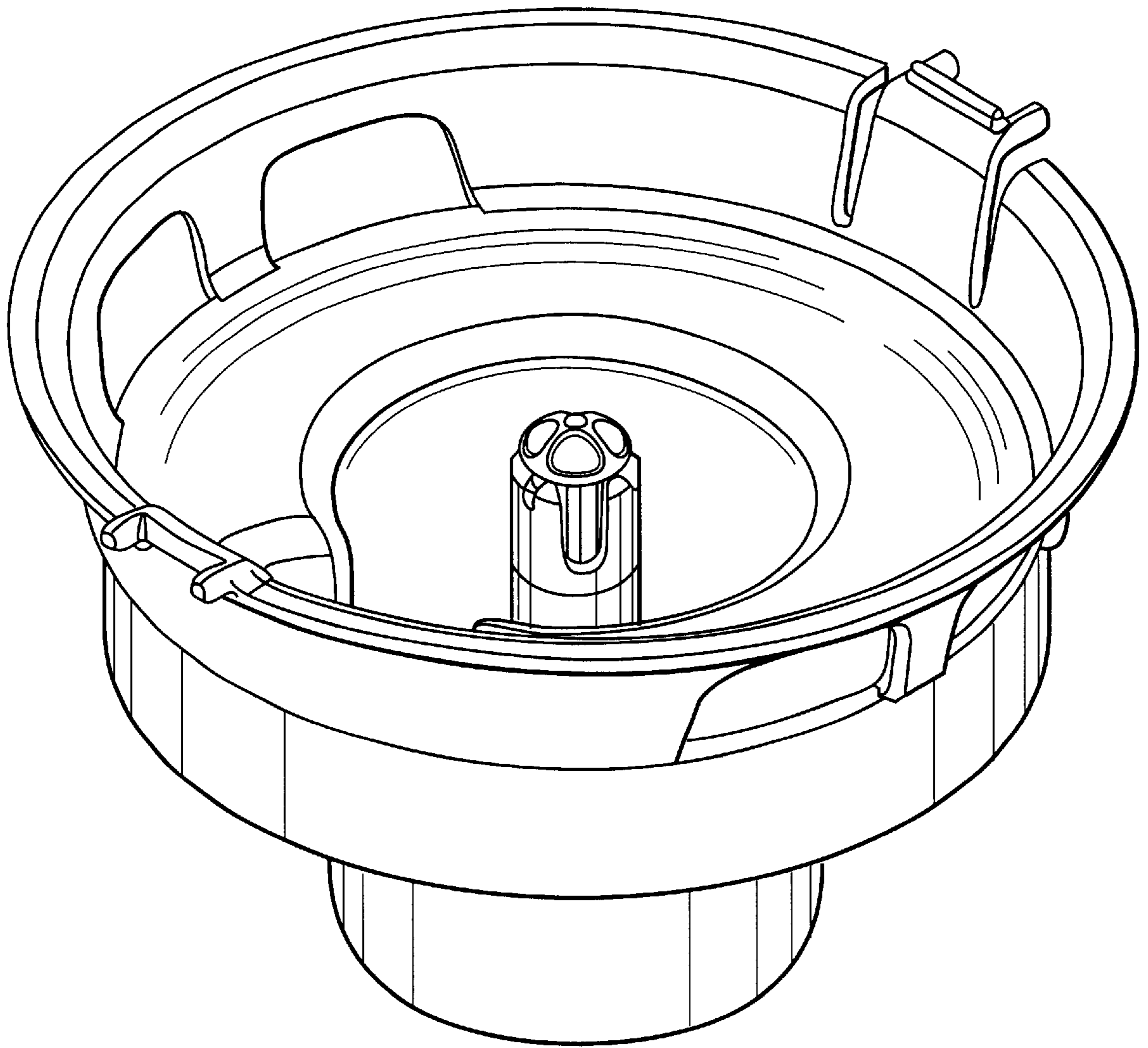


FIG. 6

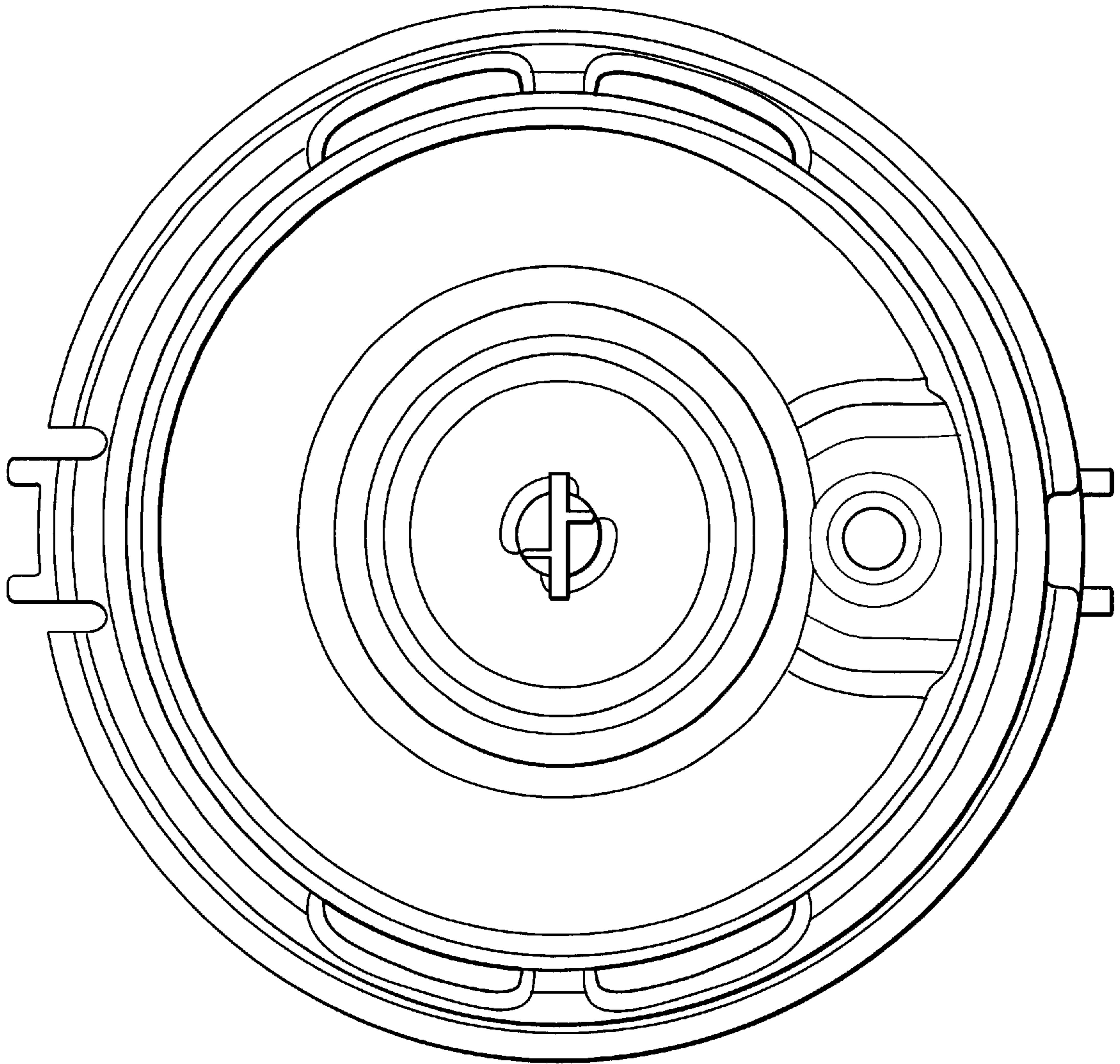


FIG. 7



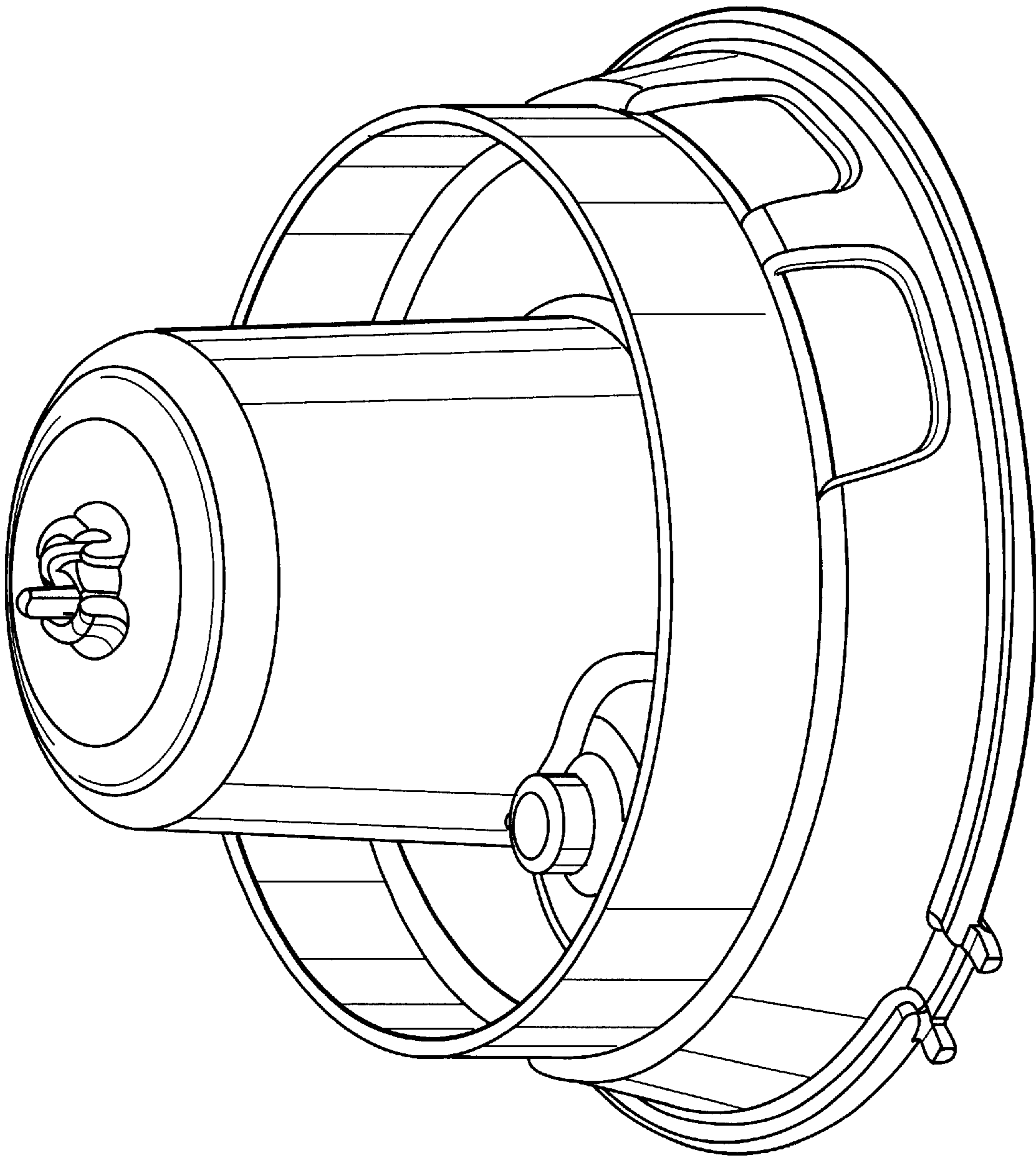


FIG. 8