



US00D448970B1

(12) **United States Design Patent**
Miller

(10) **Patent No.:** **US D448,970 S**

(45) **Date of Patent:** **** Oct. 9, 2001**

(54) **CAP FOR A BEVERAGE TUMBLER**

(75) **Inventor:** **D. Scott Miller**, Orlando, FL (US)

(73) **Assignee:** **Dart Industries Inc.**, Orlando, FL (US)

(**) **Term:** **14 Years**

(21) **Appl. No.:** **29/126,148**

(22) **Filed:** **Jul. 10, 2000**

(51) **LOC (7) Cl.** **07-01**

(52) **U.S. Cl.** **D7/392.1**

(58) **Field of Search** D7/391, 392.1,
D7/510, 511, 538-542, 629, 396.1, 396.2;
D9/434, 435, 454; 220/711, 713, 703, 796-806,
315

D. 350,460	9/1994	Picozza et al. .	
D. 359,687 *	6/1995	Arshinoff	D9/447
D. 359,882	7/1995	Birge .	
D. 379,738	6/1997	Liming et al.	D7/511
D. 383,646	9/1997	Jeppesen et al.	D77/584
D. 383,939	9/1997	Jeppesen et al.	D7/391
D. 393,520	4/1998	Christy .	
D. 413,489	9/1999	Miller	D7/602
D. 415,385 *	10/1999	Loew et al.	D7/392.1
D. 417,591	12/1999	Roehrig	D7/510
D. 421,878	3/2000	Roehrig	D7/510
4,047,648	9/1977	Croyle .	
4,516,685	5/1985	French .	
4,883,195	11/1989	Ott et al. .	
5,065,889	11/1991	Conti .	
5,363,978	11/1994	Molo .	

* cited by examiner

Primary Examiner—Terry A. Wallace

(74) *Attorney, Agent, or Firm*—Taylor J. Ross

(56) **References Cited**

U.S. PATENT DOCUMENTS

D. 182,779	5/1958	Tupper .
D. 220,516	4/1971	Klober .
D. 243,912	4/1977	Daenen .
D. 244,246	5/1977	Daenen .
D. 257,930	1/1981	Conti .
D. 257,931	1/1981	Conti .
D. 270,887	10/1983	Johnson et al. .
D. 272,213	1/1984	Daenen .
D. 272,223	1/1984	Daenen .
D. 286,360	10/1986	Trivison .
D. 323,097	1/1992	Picozza .
D. 333,754	3/1993	Conti .
D. 339,958	10/1993	Olsen et al. .
D. 344,210	2/1994	Cousins et al. .
D. 349,005	7/1994	Cousins et al. .

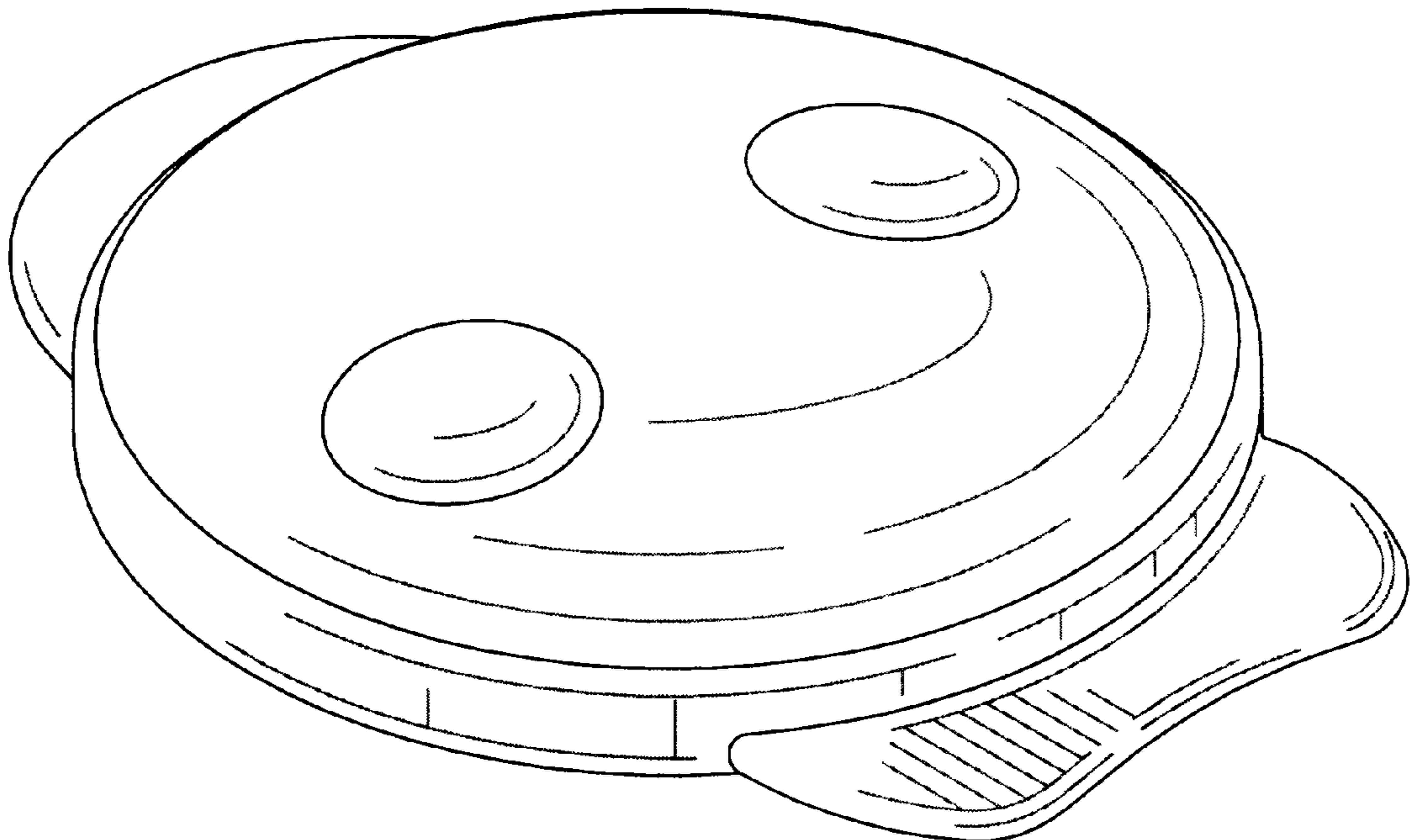
(57) **CLAIM**

The ornamental design for a cap for a beverage tumbler, as shown and described.

DESCRIPTION

FIG. 1 is a top, side and front perspective view of a cap for a beverage tumbler showing the new design; FIG. 2 is a right side elevation view thereof; FIG. 3 is a left side elevation view thereof; FIG. 4 is a rear elevation view thereof; FIG. 5 is a front elevation view thereof; FIG. 6 is a top plan view thereof; and, FIG. 7 is a bottom plan view thereof.

1 Claim, 2 Drawing Sheets



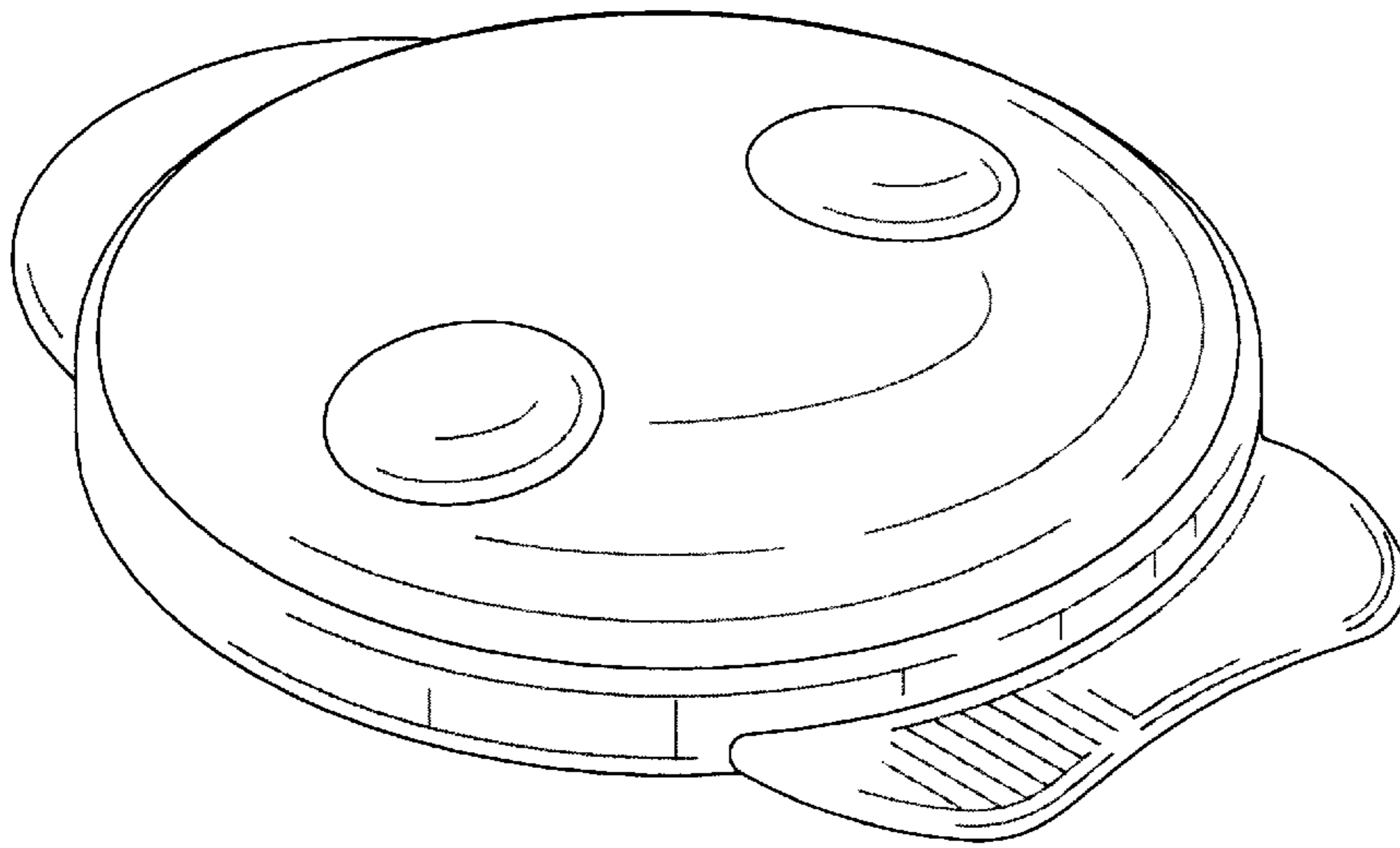


FIG. 1

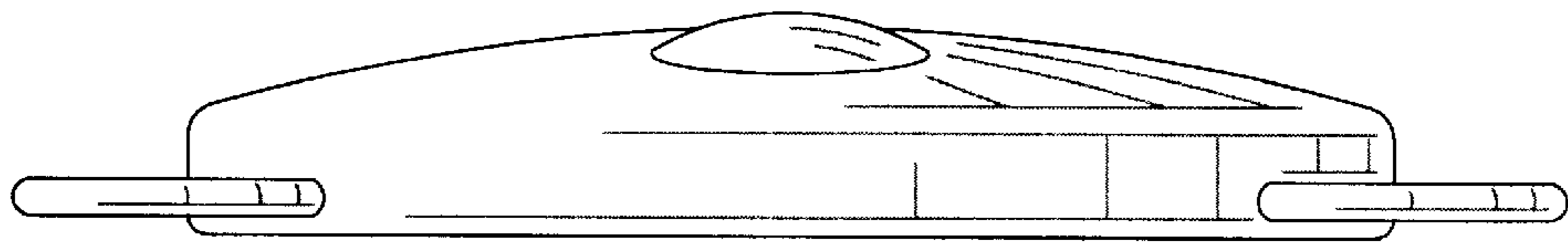


FIG. 2

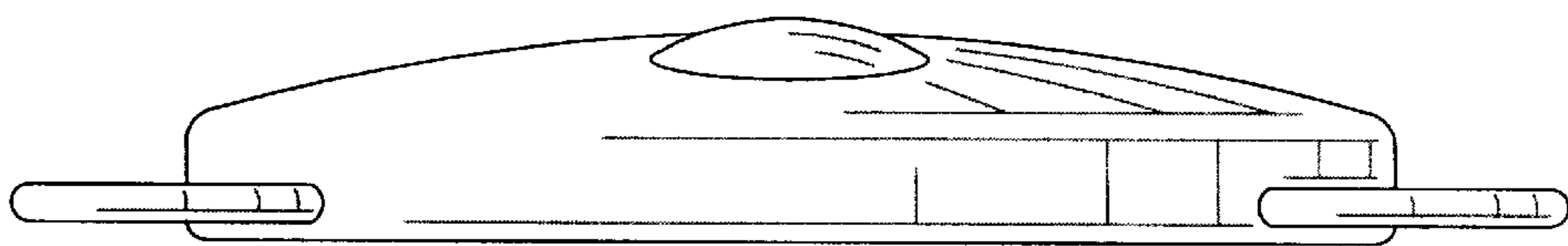


FIG. 3

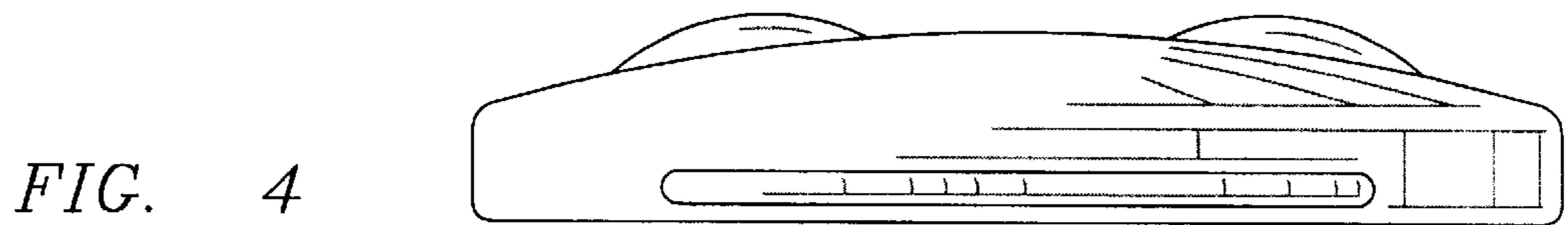


FIG. 4

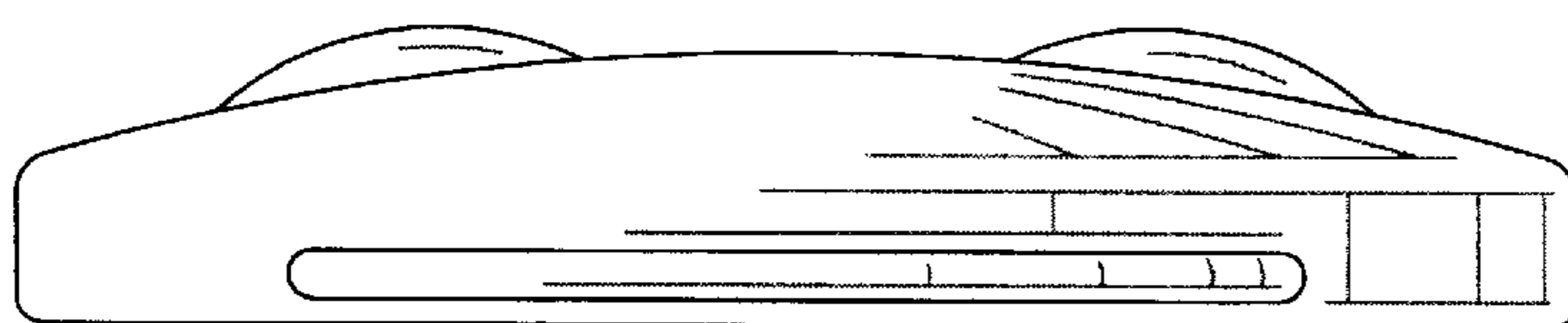


FIG. 5

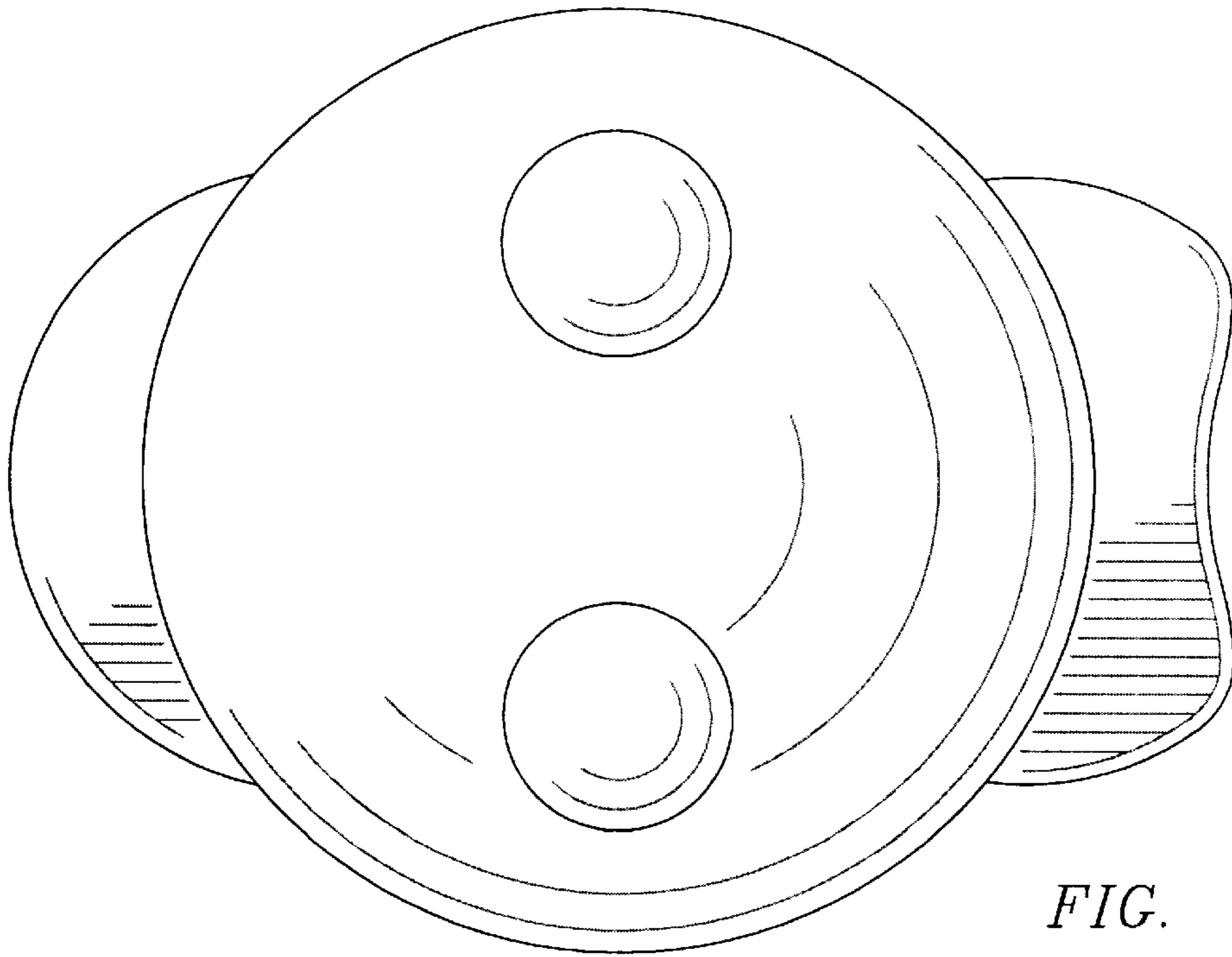


FIG. 6

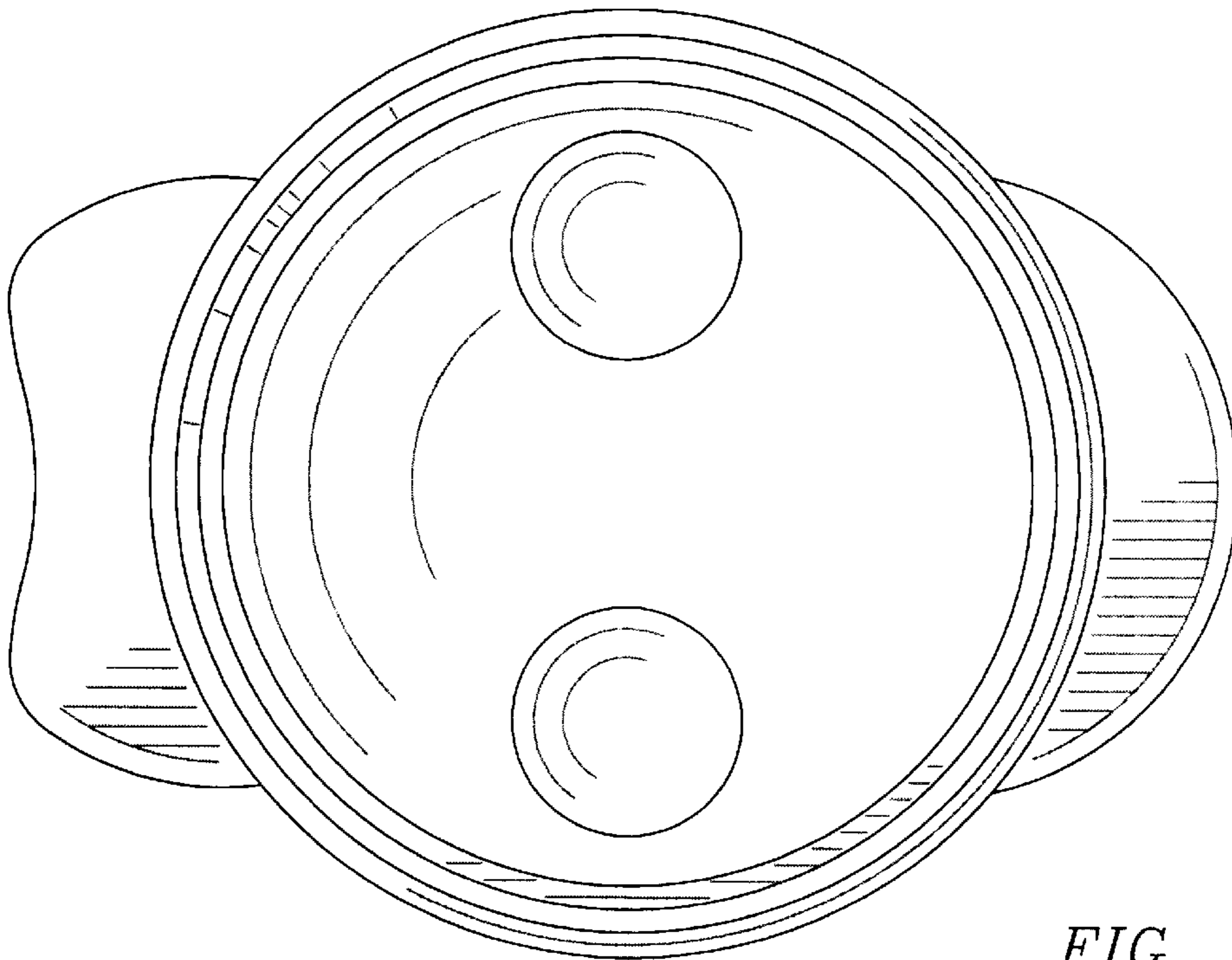


FIG. 7