



US00D448968B1

(12) **United States Design Patent**  
**Davis et al.**

(10) **Patent No.:** **US D448,968 S**  
(45) **Date of Patent:** **\*\* Oct. 9, 2001**

(54) **BASE, PIVOTAL GUARD AND CONTROL BOX PORTIONS OF POWER-OPERATED VEGETABLE SLICER**

(76) Inventors: **Michael A. Davis**, 108 Stucky Dr., Dover, OH (US) 44622; **Christopher T. Troyer**, 1296 N. Wooster Ave., Strasburg, OH (US) 44680

(\*\*) Term: **14 Years**

(21) Appl. No.: **29/127,986**

(22) Filed: **Aug. 16, 2000**

(51) **LOC (7) Cl.** ..... **31-00**

(52) **U.S. Cl.** ..... **D7/381; D7/412**

(58) **Field of Search** ..... D7/381, 382, 383, D7/384, 412, 673, 693, 695; 30/124; 83/86, 699.51, 703, 707, 856, 857, 858, 425, 435.19; 99/538

(56) **References Cited**

**U.S. PATENT DOCUMENTS**

13,475	8/1855	Ketcham	83/425.3
D. 117,762	11/1939	Strauss	D7/412
D. 183,511	9/1958	Chesney et al.	D44/29
252,325	1/1882	Moore	D7/673
D. 293,411	* 12/1987	Dickey	D7/381
D. 326,388	5/1992	Boerner	D7/381
D. 373,926	* 9/1996	White et al.	D7/381
D. 383,940	* 9/1997	Davis et al.	D7/412
D. 414,076	* 9/1999	Davis et al.	D7/412
507,383	10/1893	O'Connell	83/435.19
533,164	1/1895	Criswell	83/435.19
563,652	7/1896	Bulette	83/435.15
590,129	9/1897	Bulette	99/537

(List continued on next page.)

**FOREIGN PATENT DOCUMENTS**

3637293 A	5/1988	(DE)	83/431
-----------	--------	------	--------

**OTHER PUBLICATIONS**

Shaver Specialty Co., Torrance, CA 90503, 5 Page Printout Entitled "Keen Cutter", Downloaded from Internet on Dec. 19, 1997.

Shaver Specialty Co., Torrance, CA 90503, 4 Page Brochure Entitled "Slice-Dice-Shred with the Keen Cutter" Oct. 1987.

Shaver Specialty Co., Torrance, CA 90503, 4 Sheets of Product Information on Keen Kutter Products, Approx. 1990.

*Primary Examiner*—Doris V. Coles

*Assistant Examiner*—Elizabeth A. Albert

(74) *Attorney, Agent, or Firm*—David A. Burge

(57) **CLAIM**

We claim the ornamental design for a base, pivotal guard and control box portions of power-operated vegetable slicer, as shown and described.

**DESCRIPTION**

FIG. 1 is a perspective view of the base, pivotal guard and control box portions of power-operated vegetable slicer showing our new design, with pivotal guard in a normal position;

FIG. 2 is a front view thereof;

FIG. 3 is a top view thereof;

FIG. 4 is a rear view thereof;

FIG. 5 is a bottom view thereof;

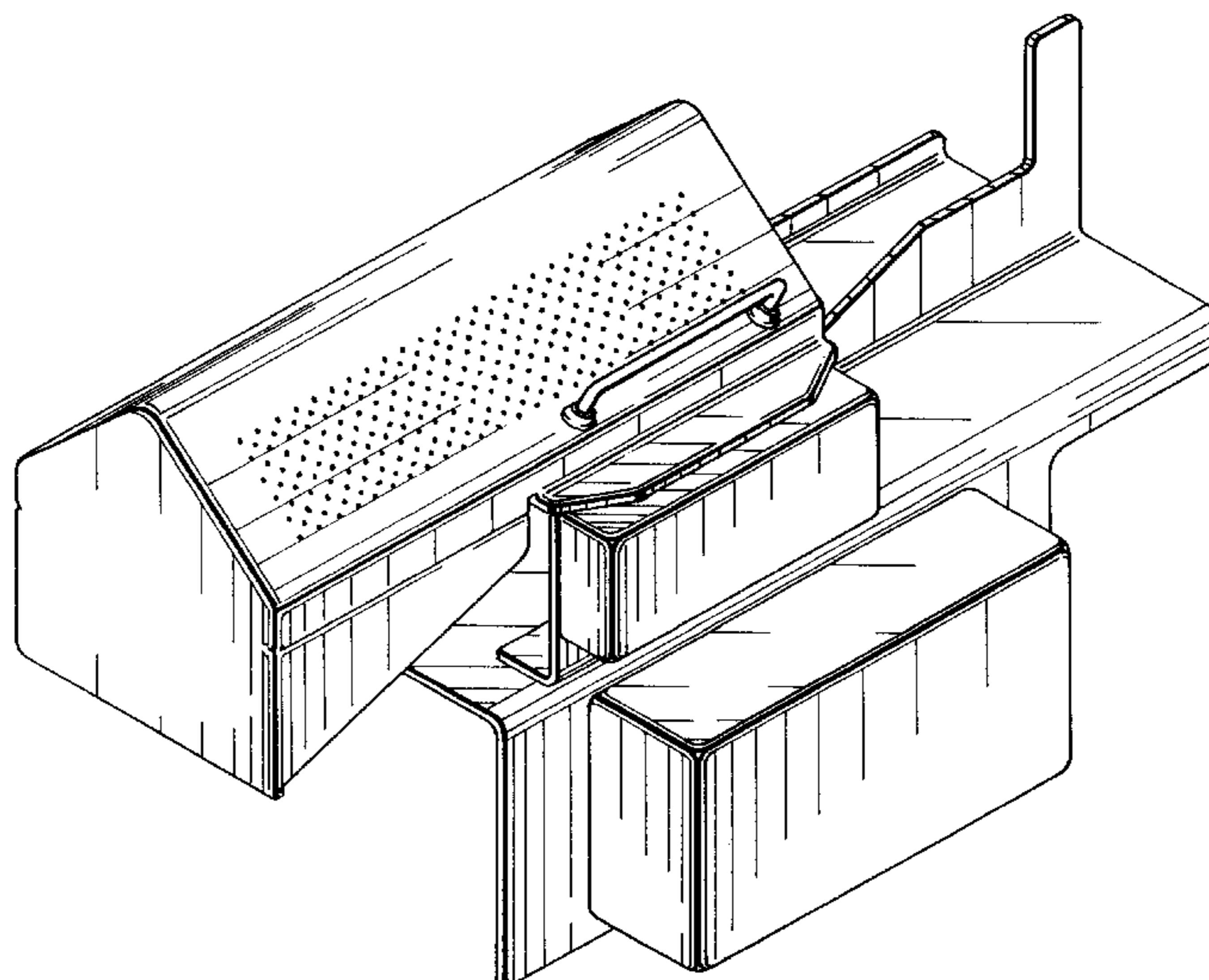
FIG. 6 is a left end view thereof;

FIG. 7 is a right end view thereof;

FIG. 8 is a perspective view thereof, with the pivotal guard in a raised position; and,

FIG. 9 is a perspective view similar to FIG. 8 but showing, in phantom, for reference only, locations where a conventional pneumatic cylinder and components of a conventional hand-operated vegetable slicer may be mounted for operation, it being understood that what is shown in phantom forms no part of the claimed design.

**1 Claim, 6 Drawing Sheets**



# US D448,968 S

Page 2

## U.S. PATENT DOCUMENTS

608,368	8/1898	Lawson .....	99/537	3,283,730	11/1966	Mohler .....	107/19
723,729	3/1903	Powles, Sr. ....	248/37.3	3,519,050	7/1970	Dobrinen .....	146/106
1,046,551	12/1912	Cass .....	83/408	3,565,145	2/1971	Sanders et al. ....	83/425.3
1,320,294	10/1919	Todd .....	83/651.1	3,687,688	8/1972	Stapley et al. ....	99/100
1,379,724	5/1921	Russell .....	99/537	3,815,456	6/1974	Braathen et al. ....	83/68
1,478,684	12/1923	Taylor et al. ....	83/435.19	3,830,151	8/1974	Gerson .....	99/537
1,668,286	5/1928	Powell .....	83/425.1	3,832,875	9/1974	Newman .....	72/25
1,805,376	5/1931	Samson .....	83/420	3,874,259	4/1975	Chambos et al. ....	83/9
2,046,396	7/1936	Matter et al. ....	83/63	3,880,295	4/1975	Wyslotsky .....	214/1.5
2,093,755	9/1937	Garfunkel .....	146/169	3,933,070	1/1976	Walters et al. ....	83/639.7
2,153,407	4/1939	Bell .....	146/169	3,952,621	4/1976	Chambos .....	83/733
2,283,029	5/1942	Bakewell .....	146/169	3,987,696	10/1976	Haas et al. ....	83/532
2,343,448	3/1944	Fay .....	D7/381 X	3,994,326	11/1976	Sarten .....	144/136
2,407,924	9/1946	Garfunkel .....	146/169	4,062,260	12/1977	Steinhogl .....	83/425.3
2,464,993	3/1949	Ross .....	146/164	4,254,678	3/1981	Steiner et al. ....	83/425.3
2,470,934	5/1949	La Bat .....	146/169	4,342,242	8/1982	Schaum .....	83/437
2,489,581	11/1949	Mason .....	146/166	4,436,025	3/1984	Jones .....	99/538
2,522,143	9/1950	Strassenburg .....	146/78	4,619,192	10/1986	Cycyk et al. ....	99/538
2,644,194	7/1953	Fill .....	17/23	4,759,168	7/1988	Petersen et al. ....	83/431
2,647,549	8/1953	Koch .....	146/3	4,819,541	4/1989	Pitsch et al. ....	91/6
2,733,508	2/1956	Carter .....	32/17	4,979,418	12/1990	Covert et al. ....	83/865
2,790,474	4/1957	Norton, Sr. ....	146/78	5,121,679	6/1992	Mertz .....	99/538
2,836,212	5/1958	Shaw .....	146/160	5,127,616	7/1992	Carney .....	248/176
2,852,053	9/1958	Berry et al. ....	146/169	5,129,298	7/1992	Cresson et al. ....	83/72
3,112,781	12/1963	Popeil .....	146/169	5,245,902	9/1993	Pereira .....	83/437
3,187,432	6/1965	Cuomo .....	83/431	5,271,317	12/1993	Aguerrevere et al. ....	99/538
3,211,202	10/1965	Mason .....	146/37	5,343,791	9/1994	Julian et al. ....	83/865
3,216,474	11/1965	Popeil .....	146/78				

\* cited by examiner

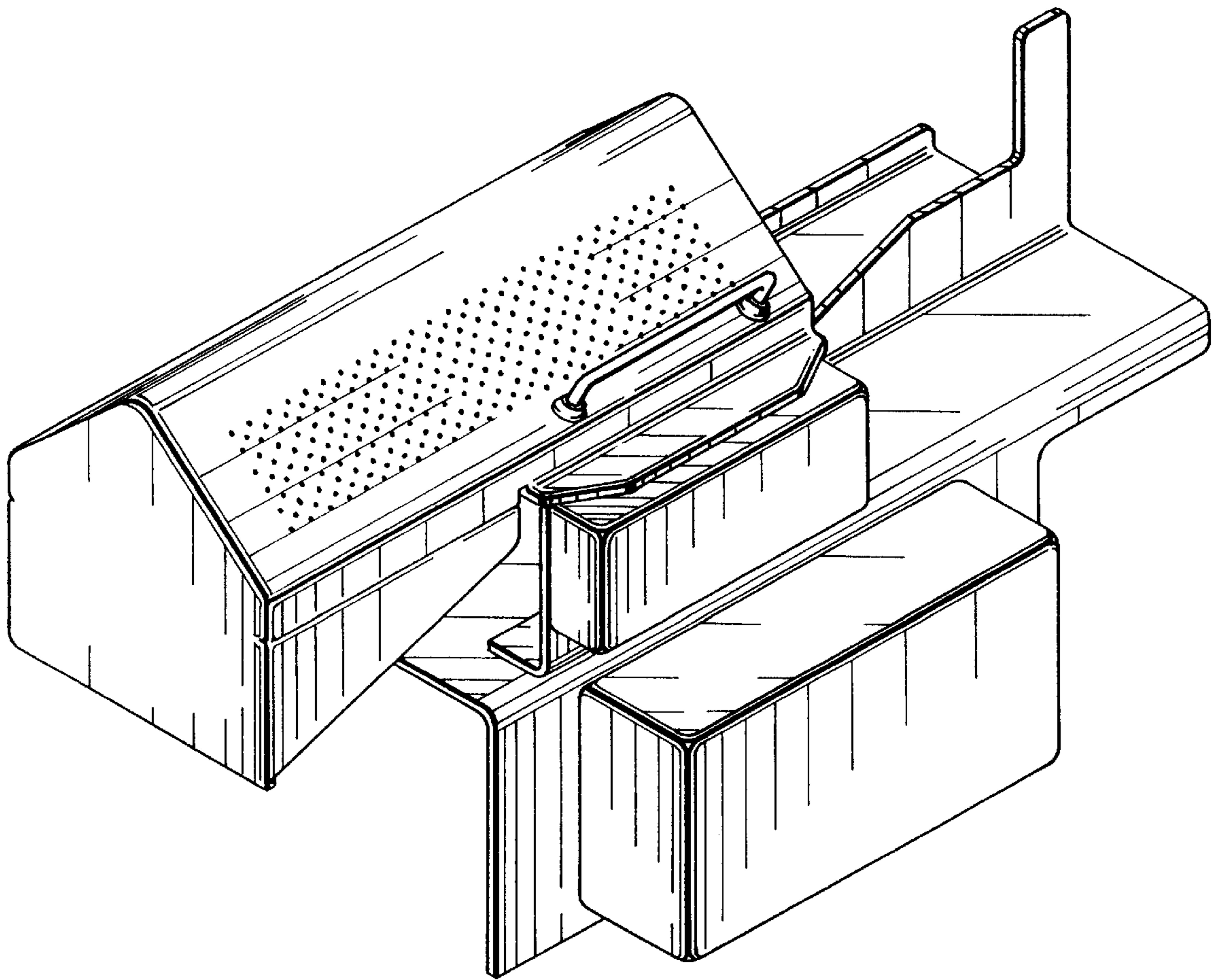


FIG. 1



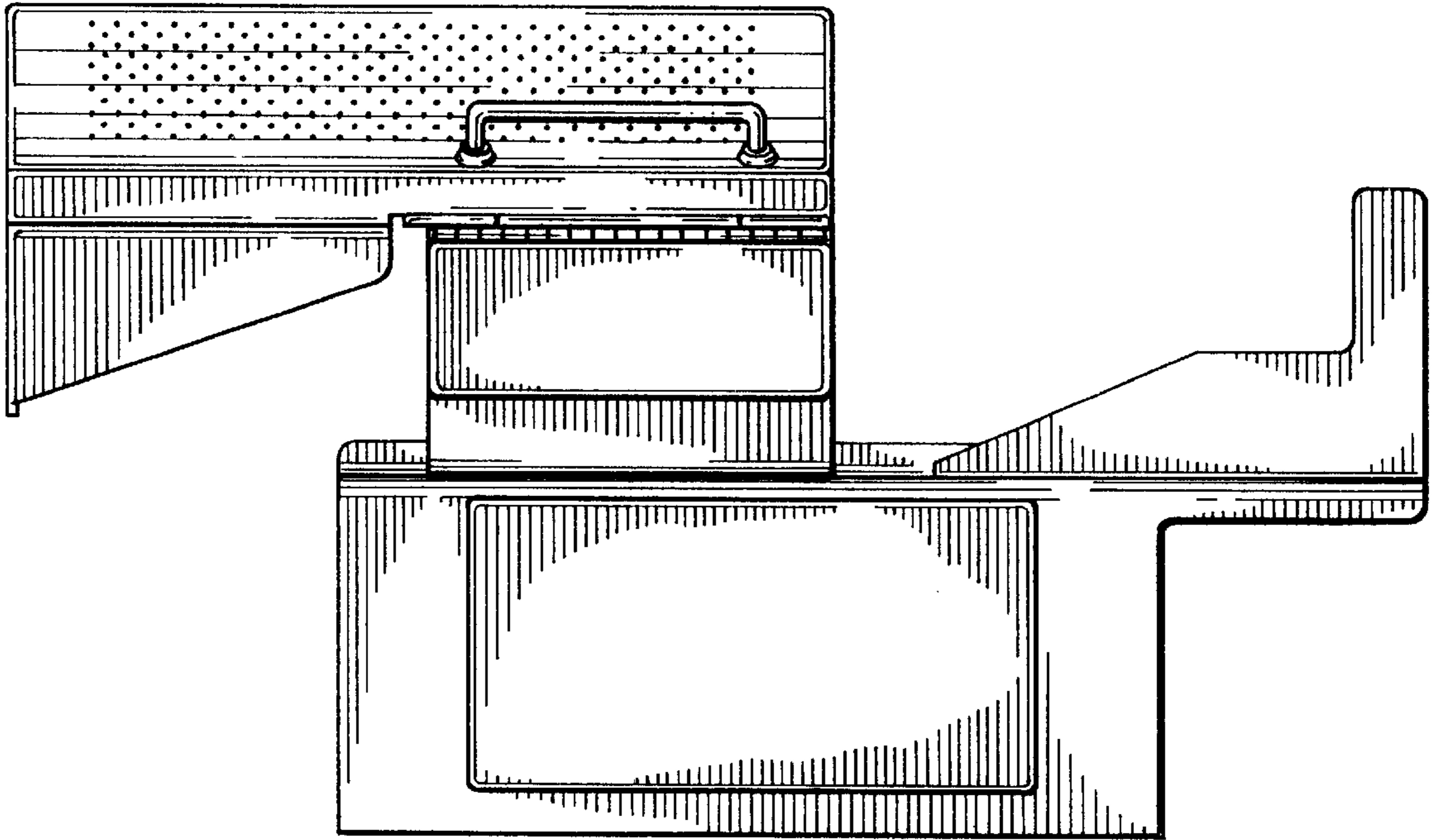


FIG. 2

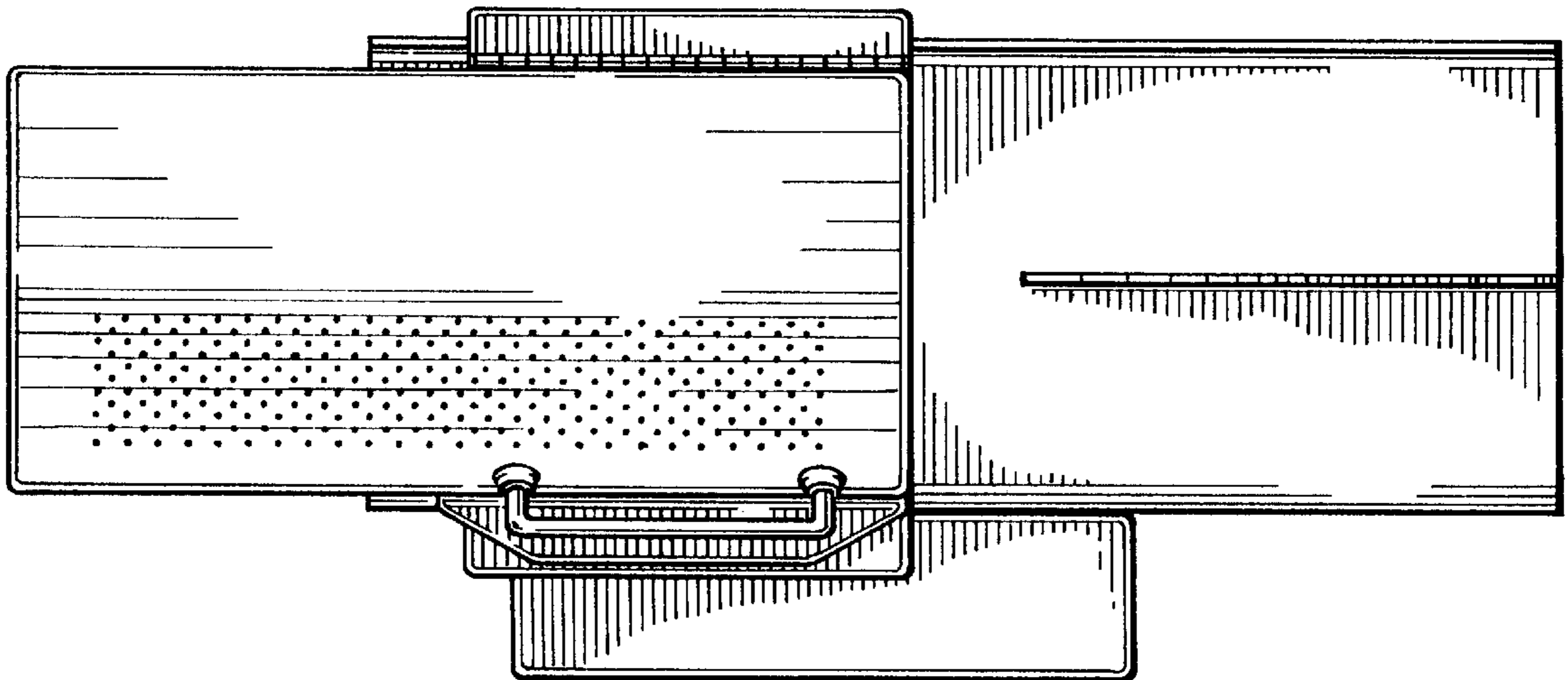


FIG. 3

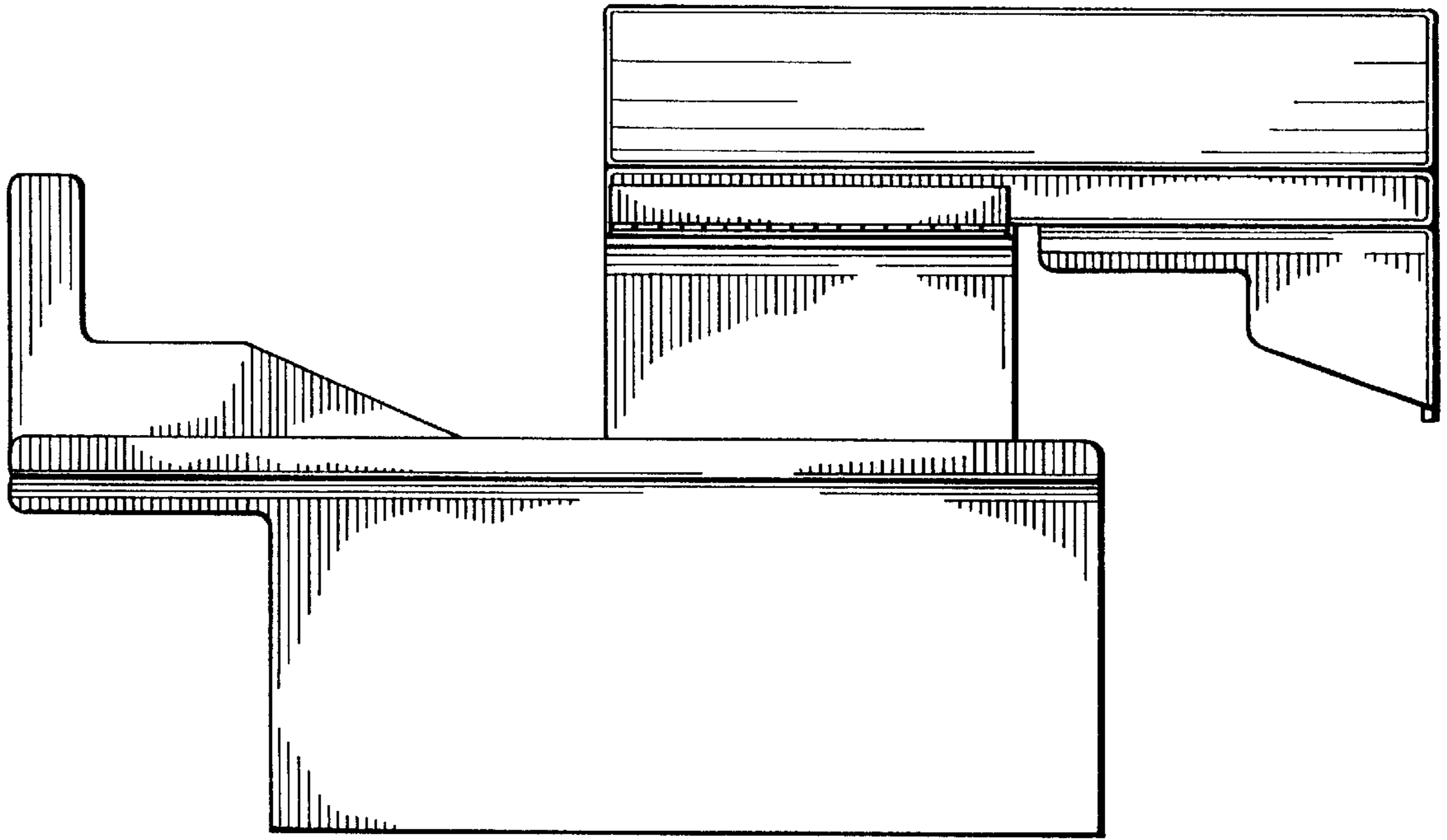


FIG. 4

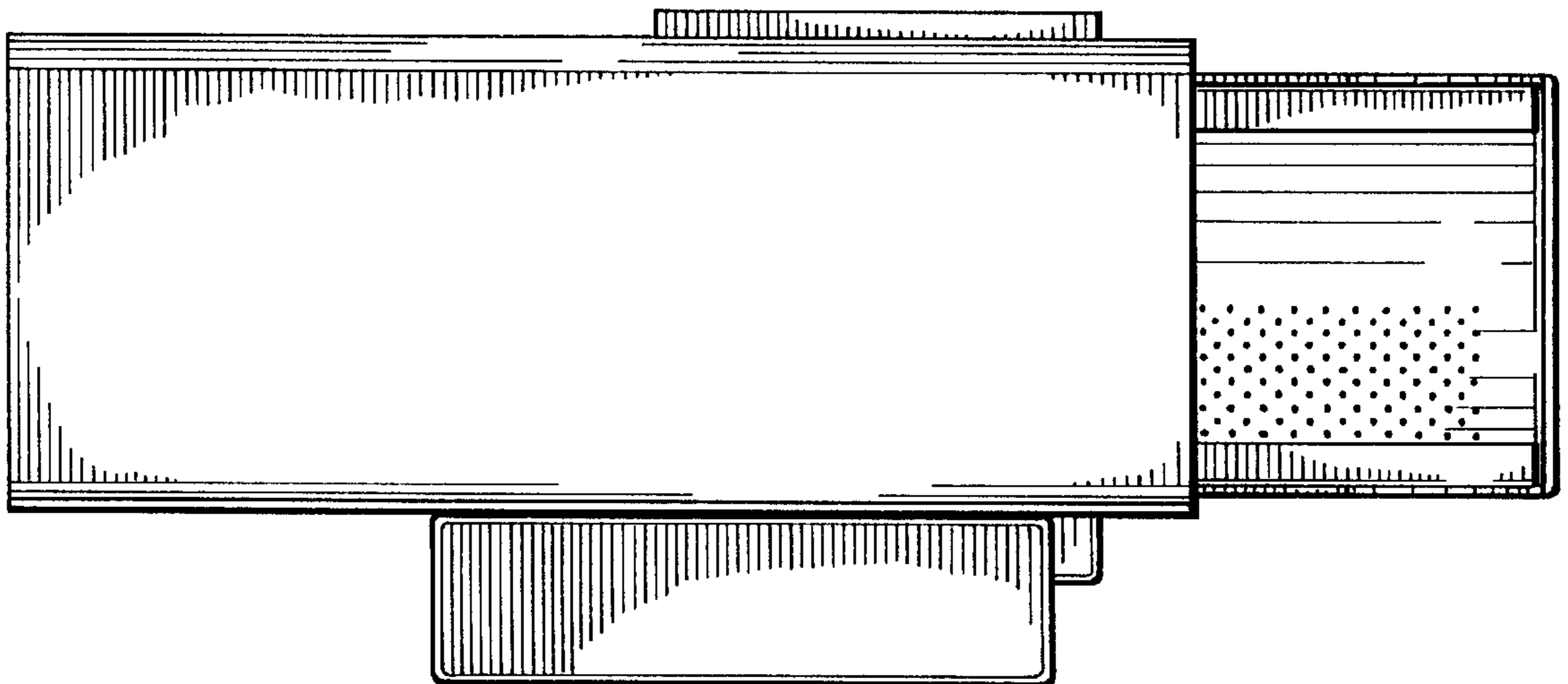


FIG. 5

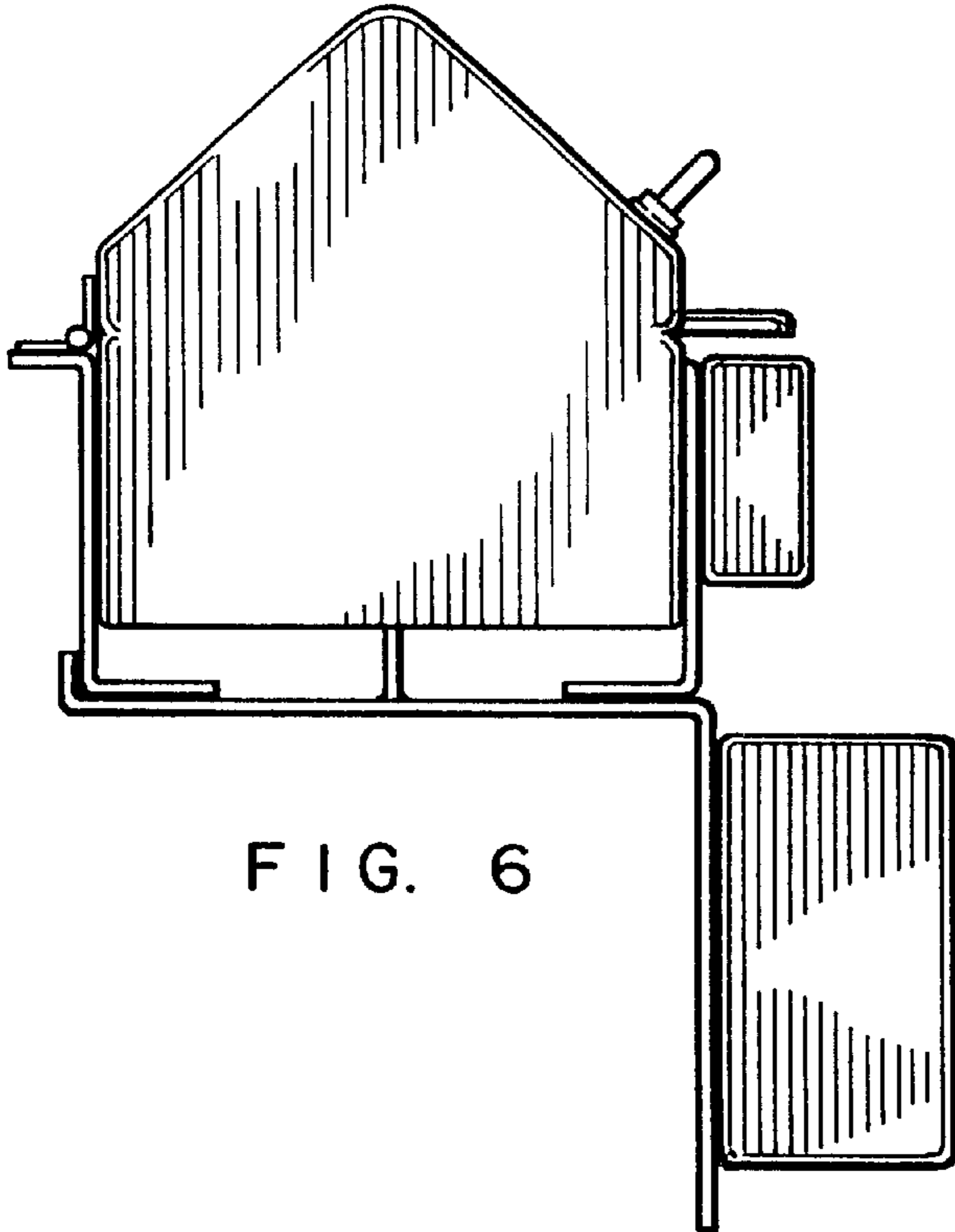


FIG. 6

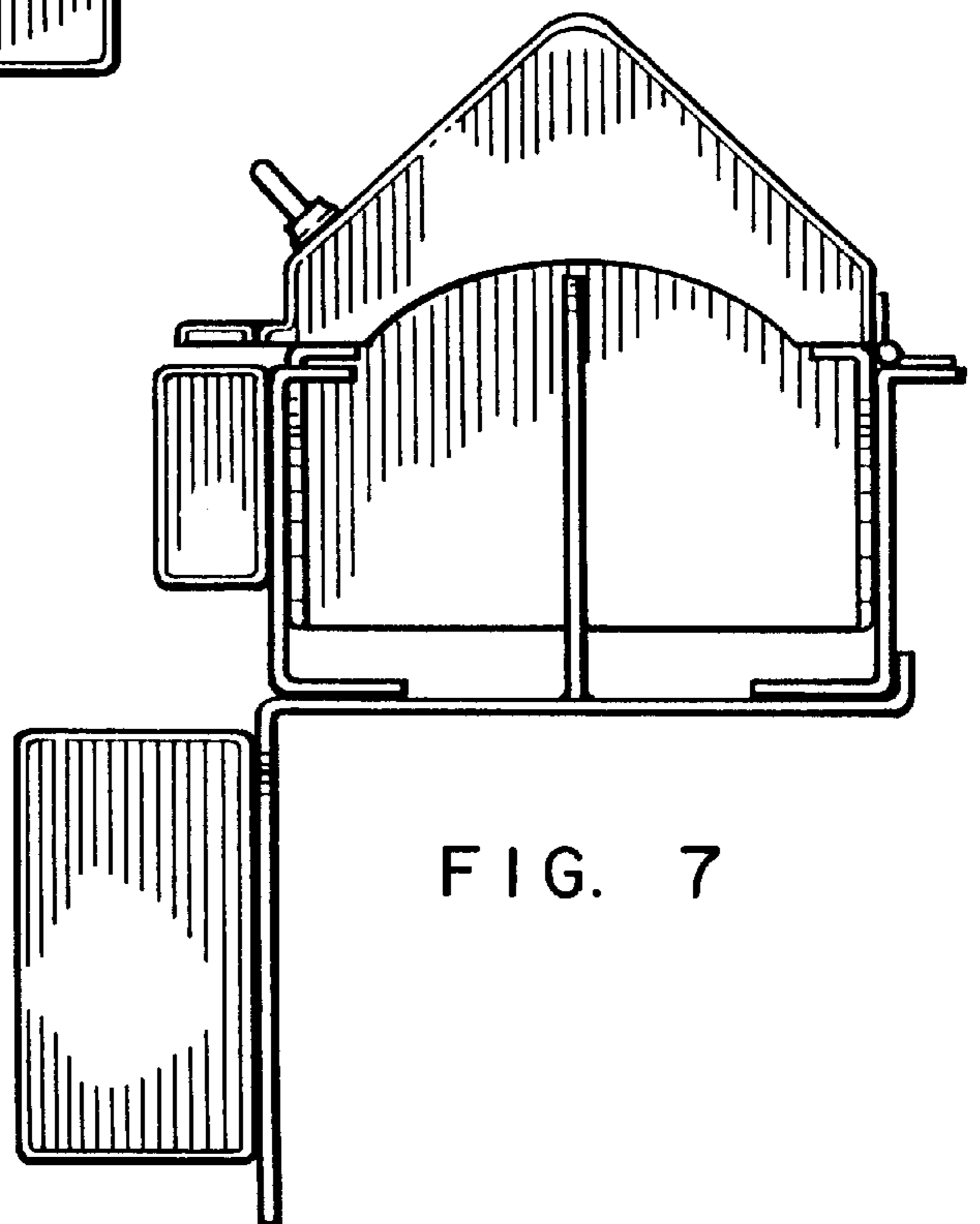


FIG. 7

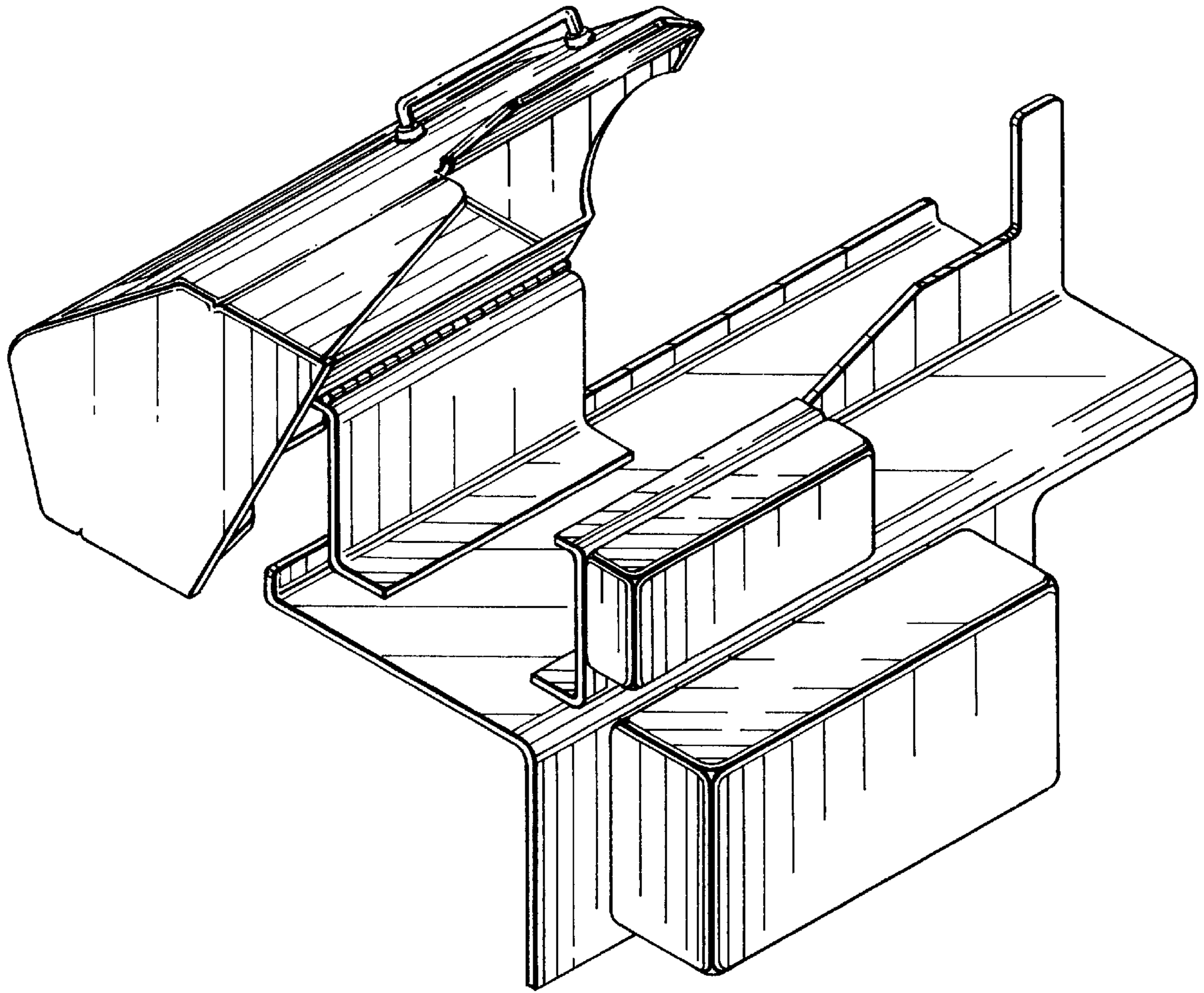


FIG. 8

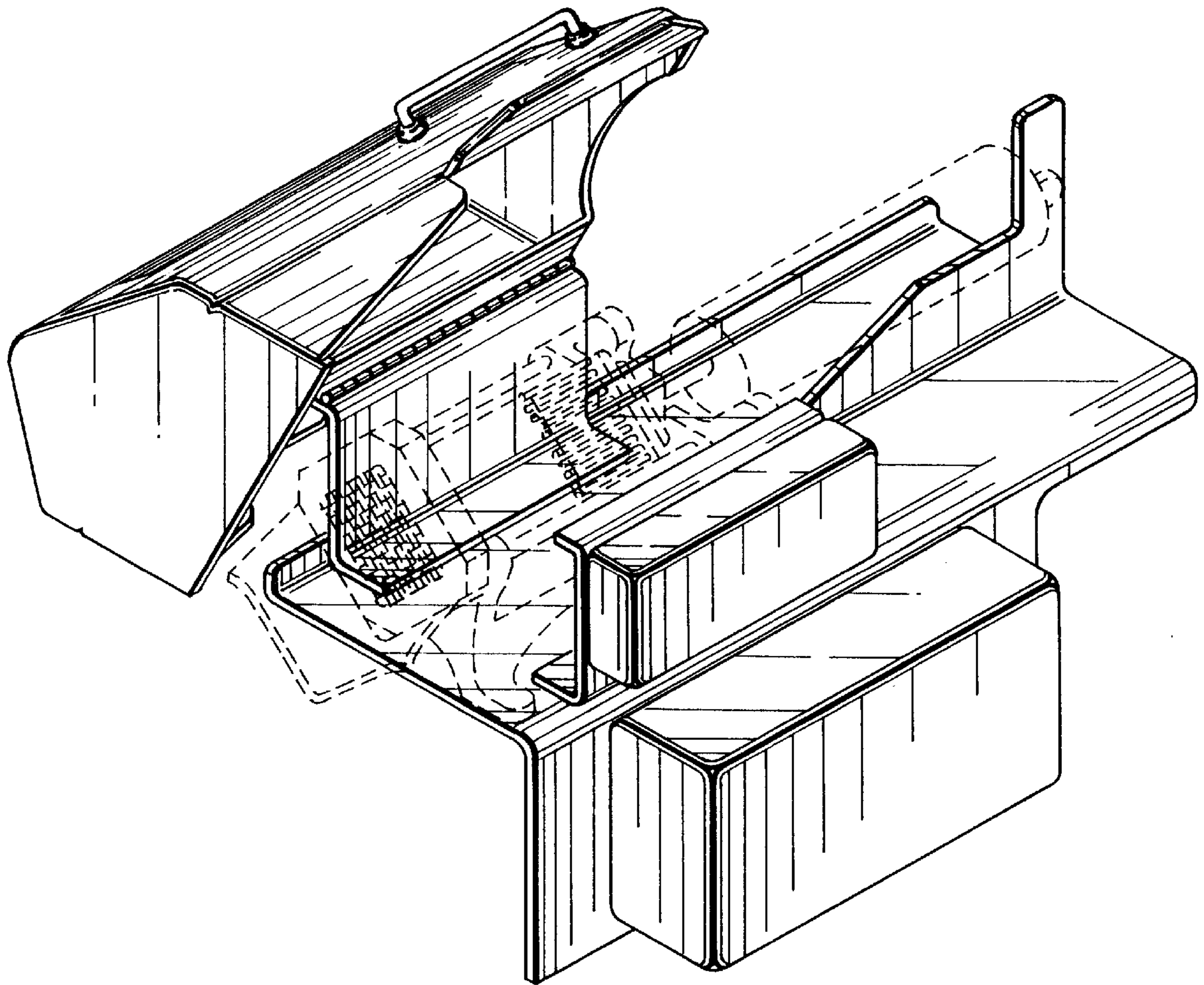


FIG. 9