



US00D448967B1

(12) **United States Design Patent**  
**Planca et al.**

(10) **Patent No.:** **US D448,967 S**

(45) **Date of Patent:** **\*\* Oct. 9, 2001**

(54) **LIQUEFIER**

(76) Inventors: **Rinaldo Planca**, Av. Getúlio Vargas no. 50, Apto. 62, São Bernardo do Campo, SP; **José Carlos Veneziano**, Rua Tupiguaes no. 123, Apto. 82, São Paulo, SP, both of (BR)

(\*\*) Term: **14 Years**

(21) Appl. No.: **29/110,717**

(22) Filed: **Sep. 10, 1999**

(30) **Foreign Application Priority Data**

Mar. 11, 1999 (BR) ..... DI 5900590

(51) **LOC (7) Cl.** ..... **31-00**

(52) **U.S. Cl.** ..... **D7/378**

(58) **Field of Search** ..... D7/376-378, 384, D7/386; 366/64, 197, 199, 205, 206, 219, 241, 244, 314; 241/33, 301, 285.2

(56) **References Cited**

**U.S. PATENT DOCUMENTS**

D. 199,888 \* 12/1964 Dewenter ..... D7/378

D. 394,986 \* 6/1998 Lallemand ..... D7/378

D. 412,809 \* 8/1999 Toro et al. .... D7/378

D. 415,384 \* 10/1999 Littmann ..... D7/378

\* cited by examiner

*Primary Examiner*—Caron D. Veynar  
(74) *Attorney, Agent, or Firm*—Bliss McGlynn, P.C.

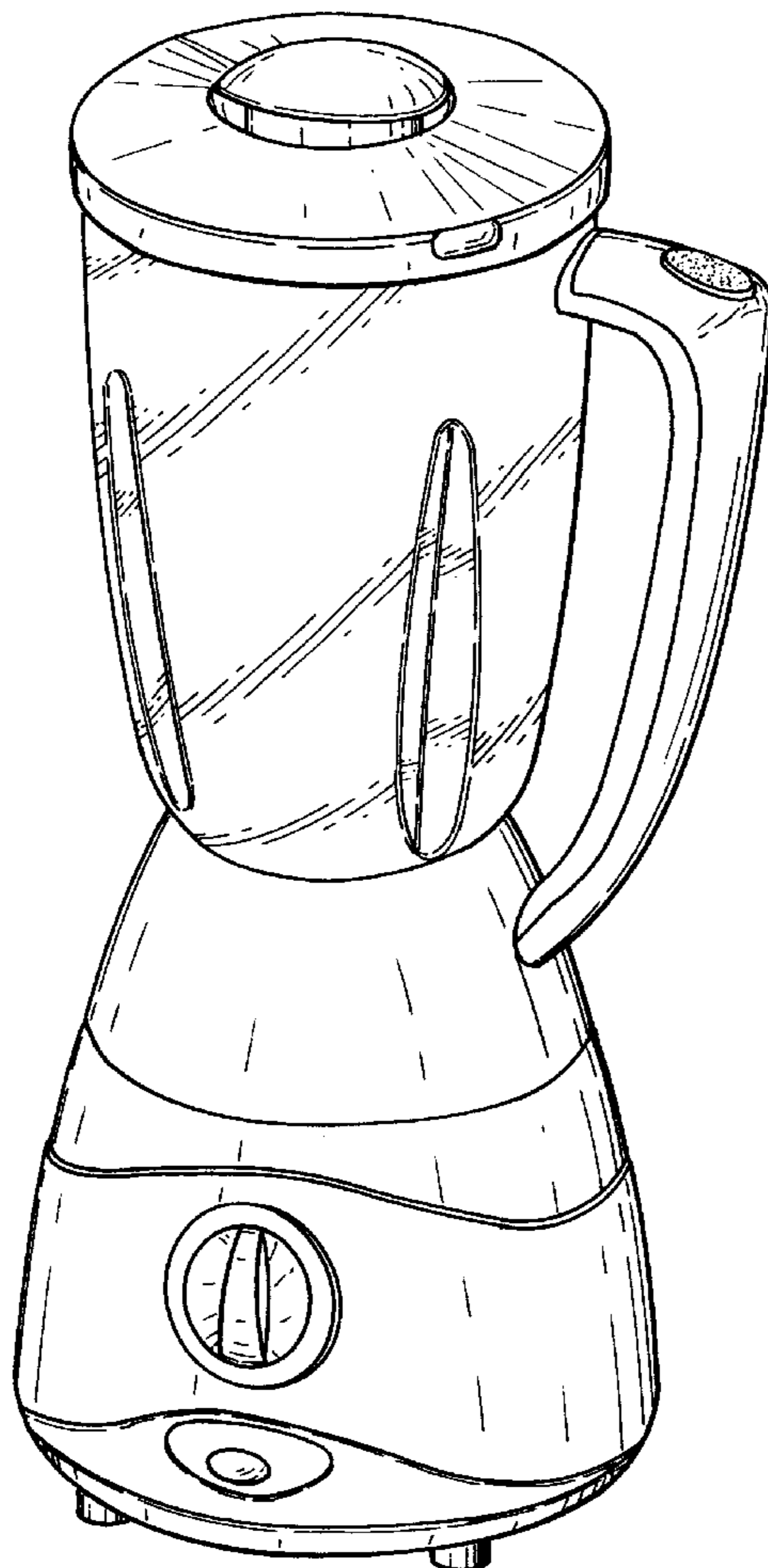
(57) **CLAIM**

The ornamental design for a liquefier, as shown and described.

**DESCRIPTION**

FIG. 1 is a frontal view from in front of the model;  
FIG. 2 is a view of the rear of the model;  
FIG. 3 is a view of the right side of the model;  
FIG. 4 is a view of the left side of the model;  
FIG. 5 is a view of the model from above;  
FIG. 6 is a view of the model from below; and,  
FIG. 7 is a view in perspective of the front part of the model.

**1 Claim, 3 Drawing Sheets**



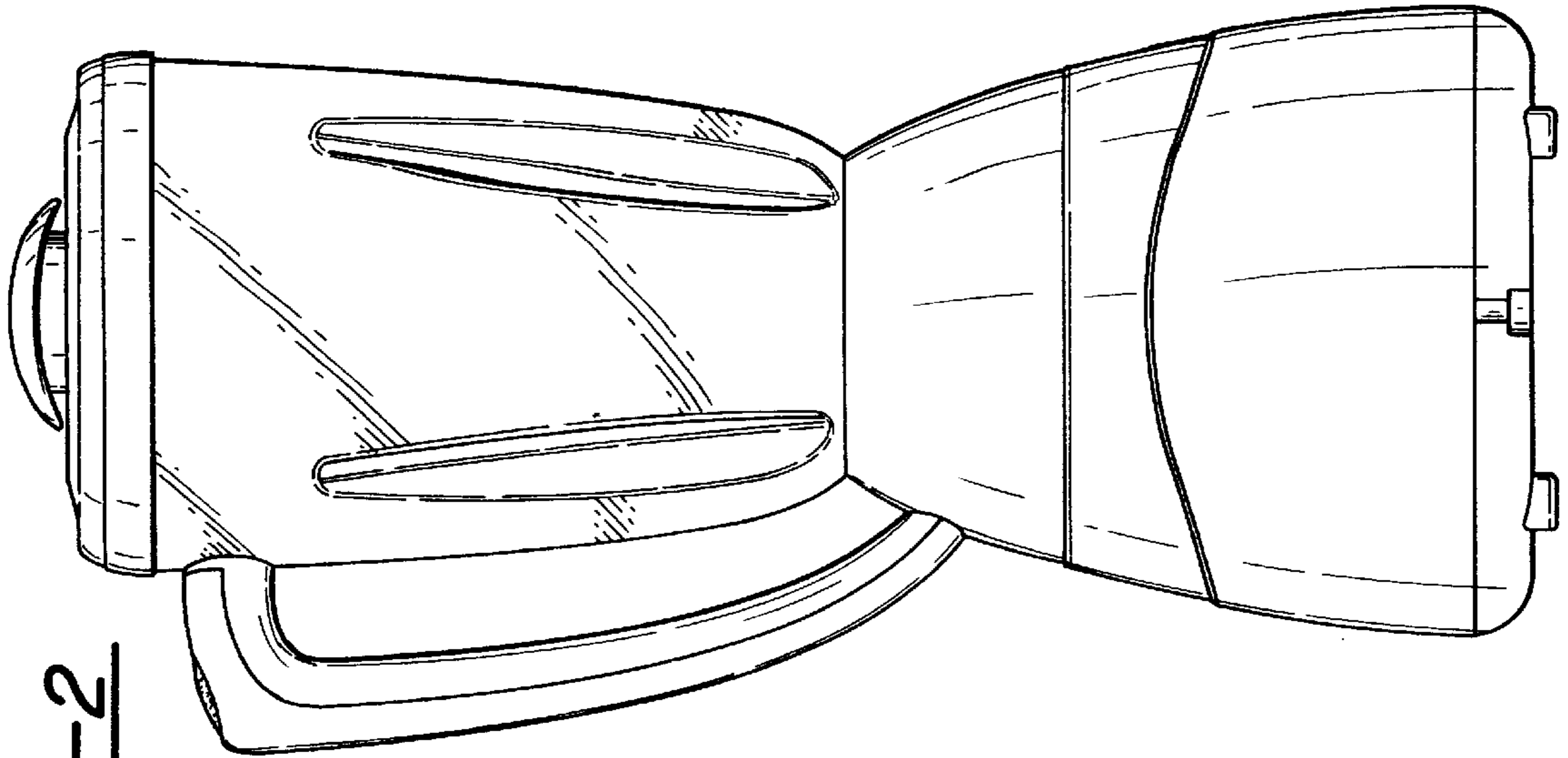


FIG-2

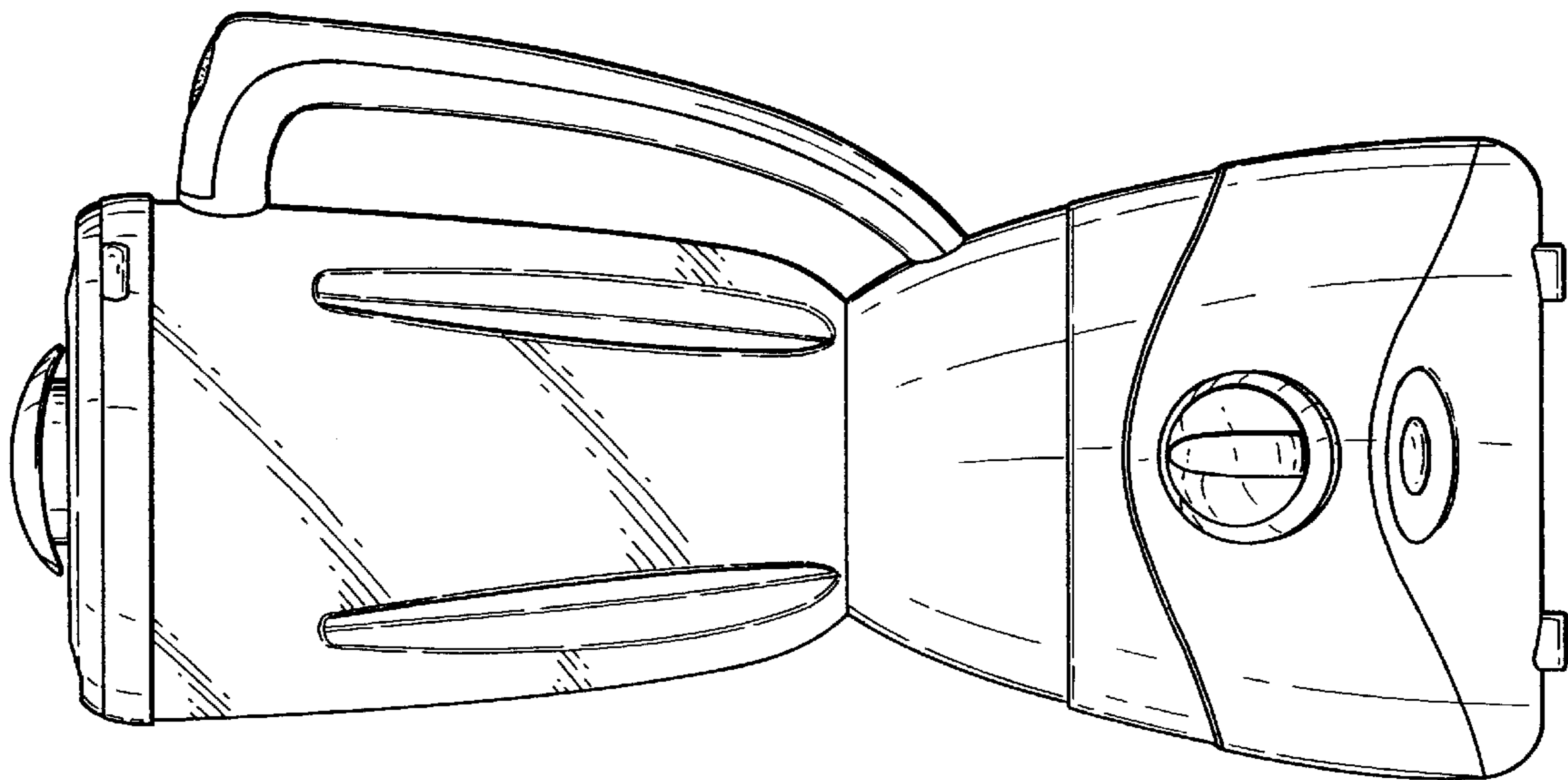


FIG-1

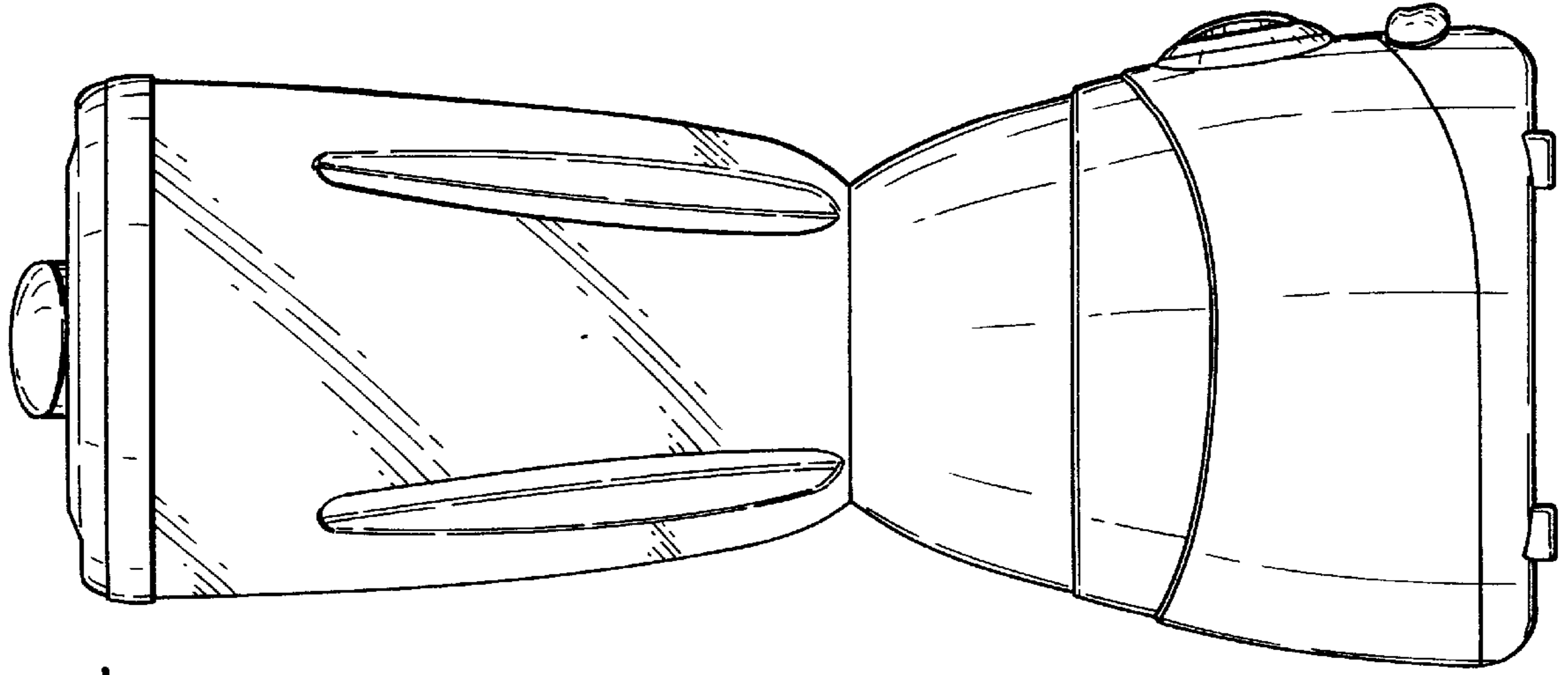


FIG-4

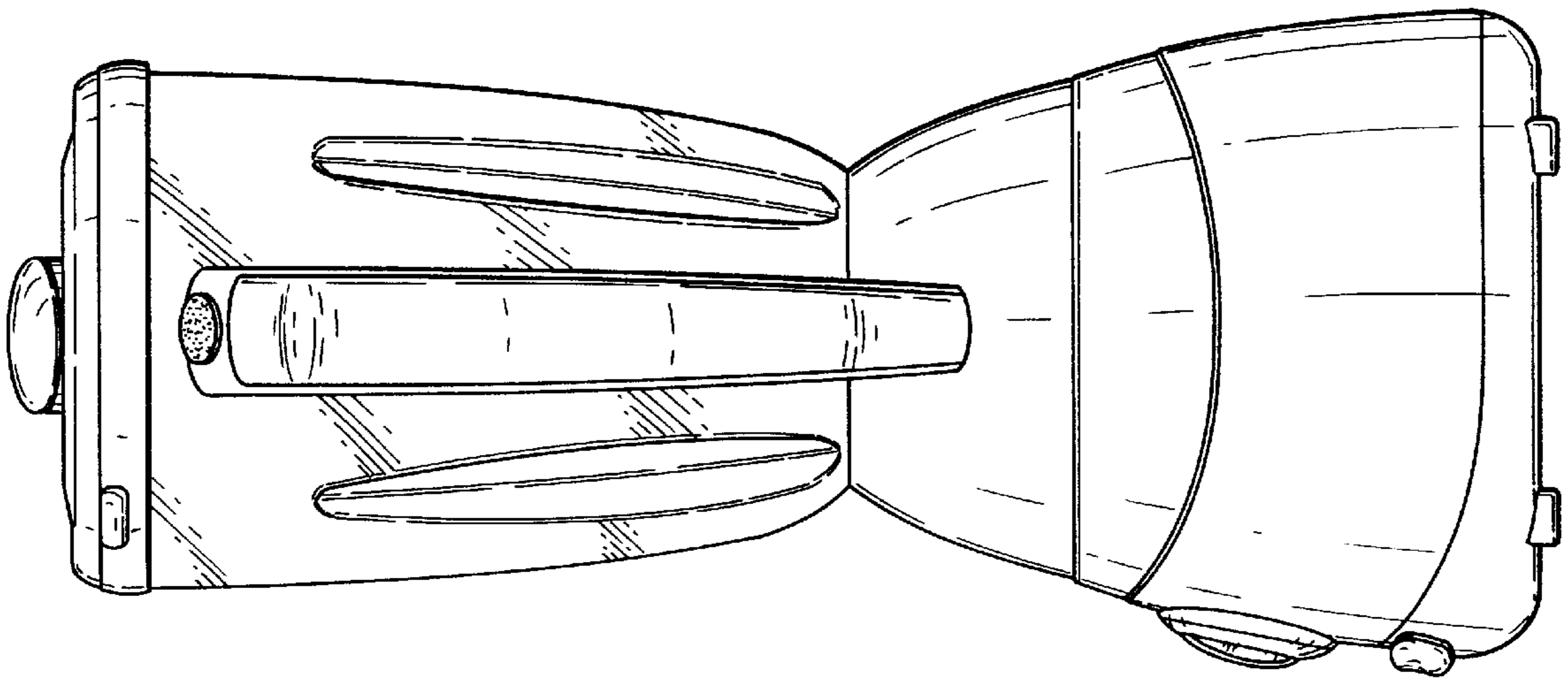


FIG-3

FIG-7

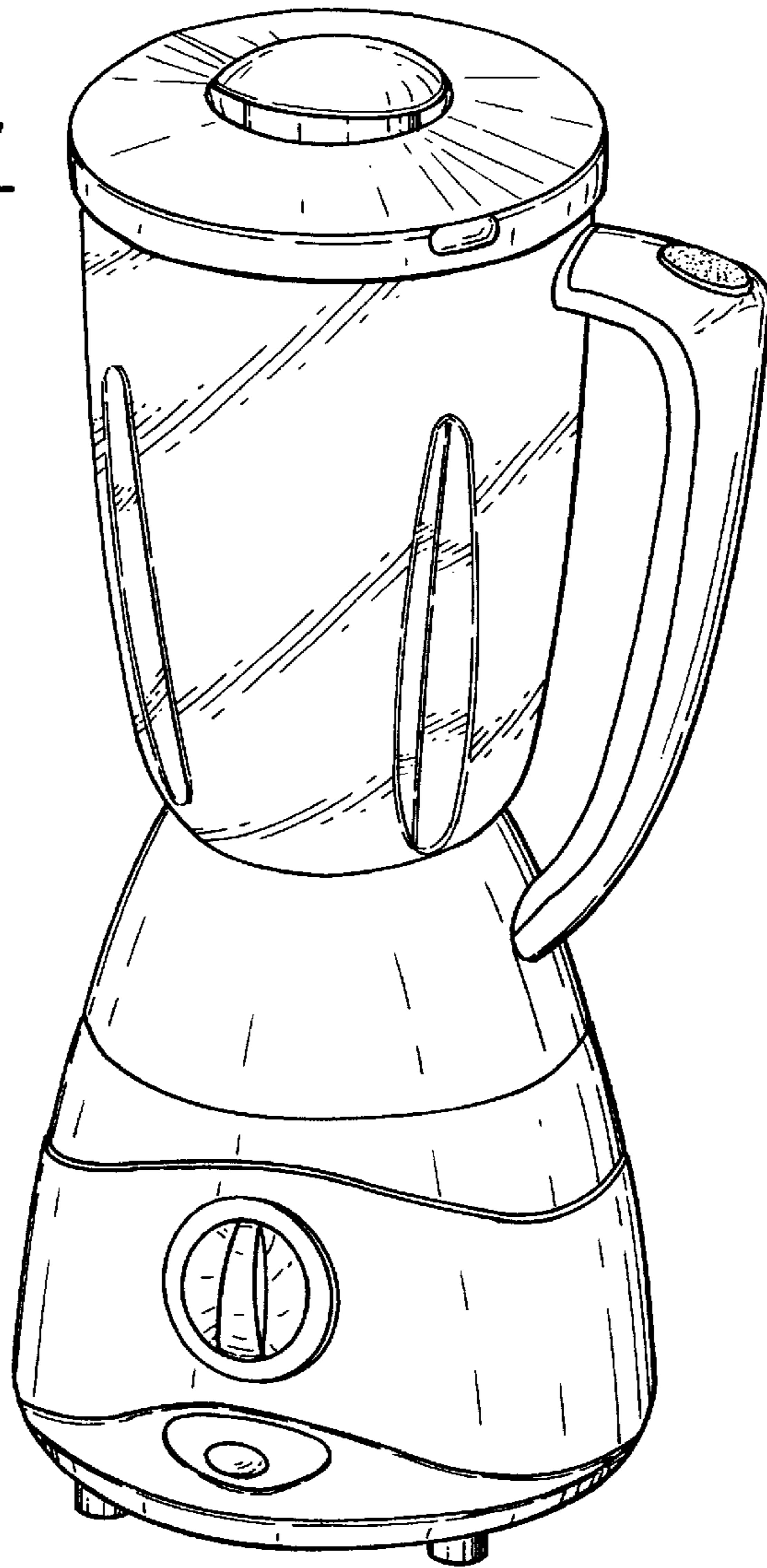


FIG-5

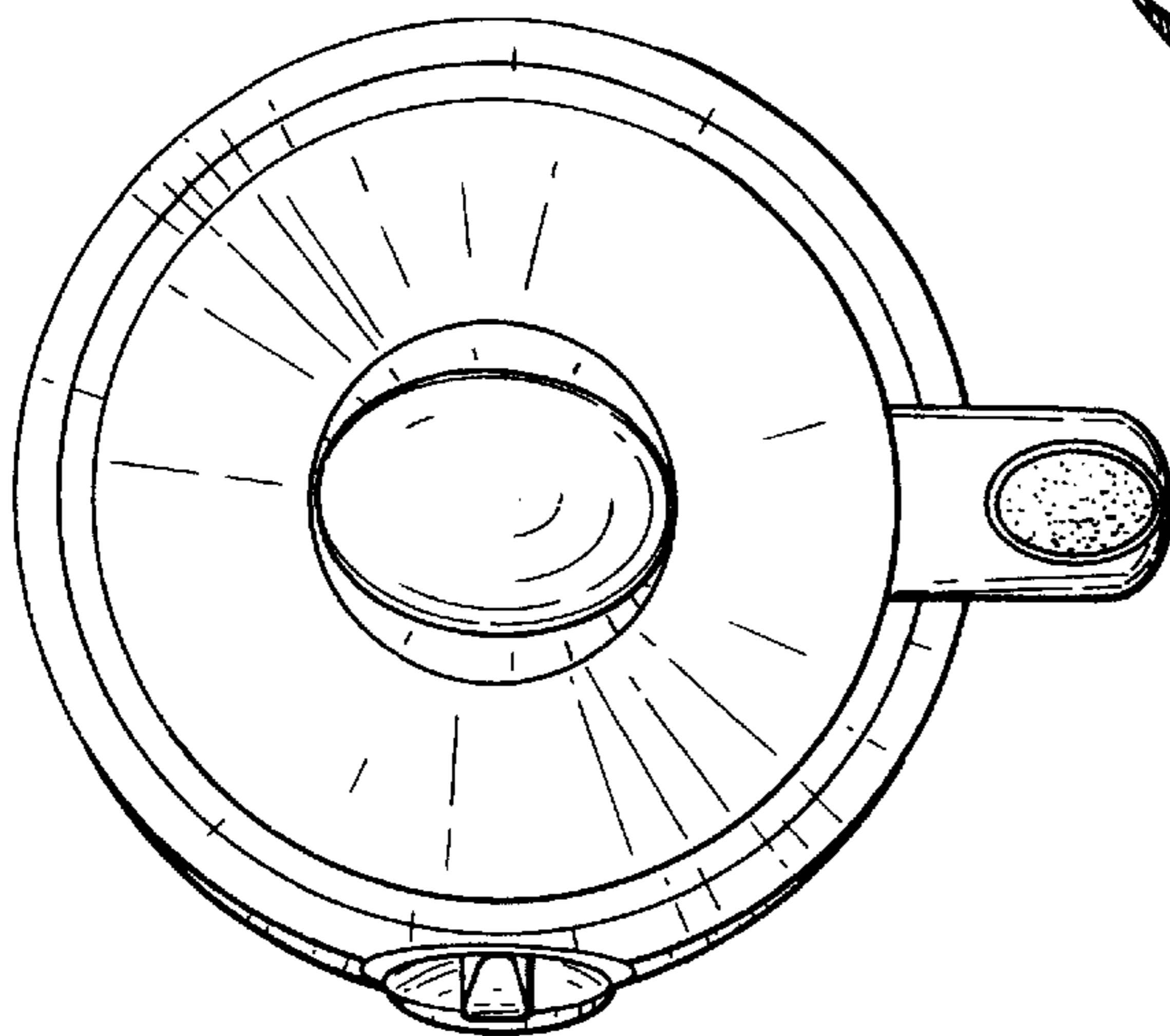


FIG-6

