



US00D448966B1

(12) **United States Design Patent**
Hsieh

(10) **Patent No.:** **US D448,966 S**

(45) **Date of Patent:** **** Oct. 9, 2001**

(54) **FOOD MIXING APPARATUS**

(76) Inventor: **Chin-Yang Hsieh**, No. 11, Lane 85,
Chingyun St., Kushan Dist., Kaohsiung
(TW)

(**) Term: **14 Years**

(21) Appl. No.: **29/121,131**

(22) Filed: **Apr. 4, 2000**

(51) **LOC (7) Cl.** **31-00**

(52) **U.S. Cl.** **D7/376; D15/147**

(58) **Field of Search** **D7/368, 376, 377;**
D15/147; 366/93, 129, 130, 143, 185, 241,
261, 282, 314

(56) **References Cited**

U.S. PATENT DOCUMENTS

D. 184,802	*	4/1959	Egy	D7/376
D. 209,922	*	1/1968	Golding	D7/376 X
D. 285,404	*	9/1986	Wang	D7/377
D. 366,182	*	1/1996	Hsieh	D7/376
D. 374,677	*	10/1996	Hodson	D15/147

D. 388,447	*	12/1997	Otto	D15/147
2,218,320	*	10/1940	Wenger	366/282
3,251,579	*	5/1966	Lasar	366/185
3,884,423	*	5/1975	Wilson	366/314

* cited by examiner

Primary Examiner—Terry A. Wallace

(74) *Attorney, Agent, or Firm*—Foley & Lardner

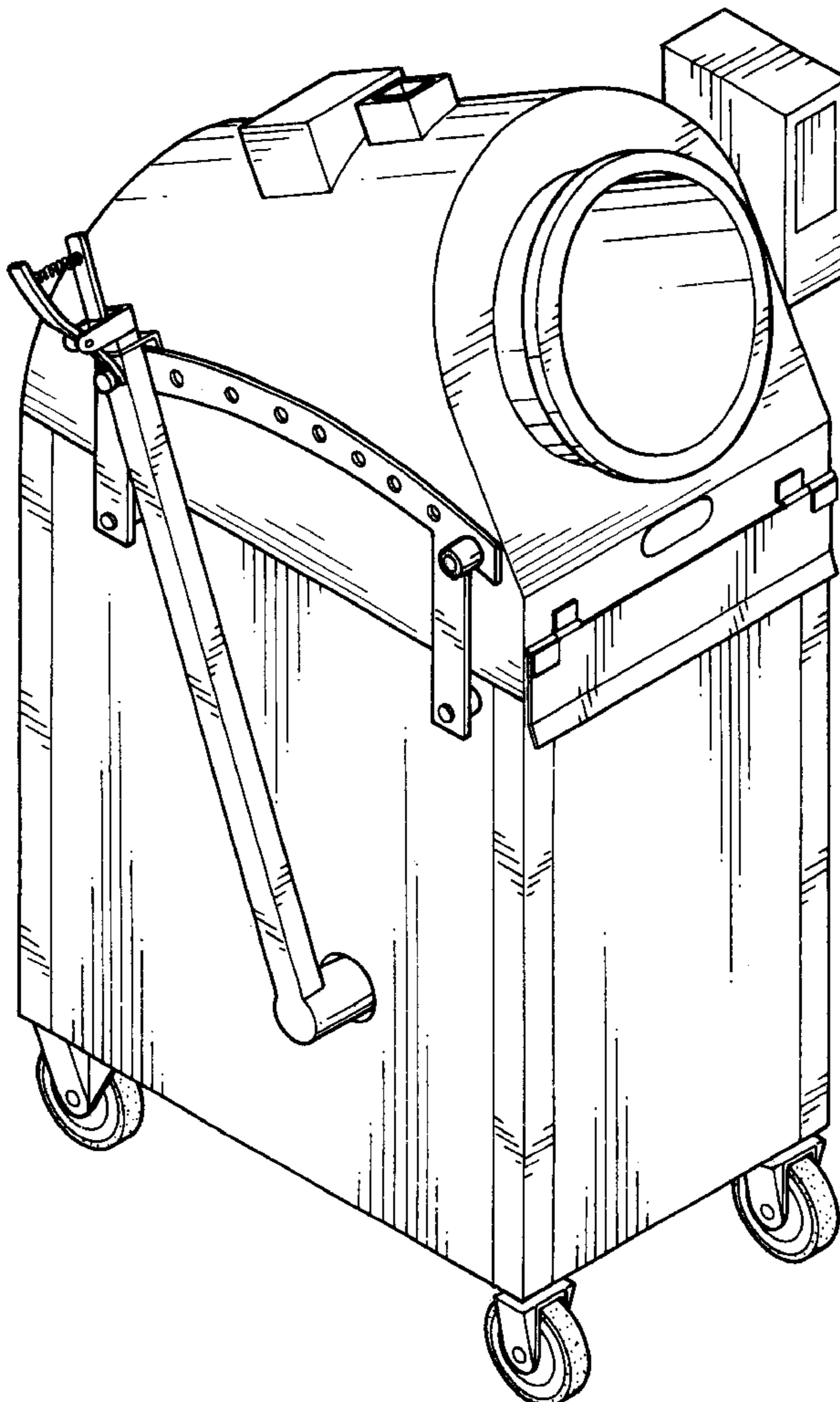
(57) **CLAIM**

The ornamental design for a food mixing apparatus, as shown.

DESCRIPTION

FIG. 1 is a front-right-top perspective view of a food mixing apparatus, showing my new design; FIG. 2 is a front elevational view thereof; FIG. 3 is a rear elevational view thereof; FIG. 4 is a left elevational view thereof; FIG. 5 is a right elevational view thereof; FIG. 6 is top plan view thereof; and, FIG. 7 is a bottom plan view thereof.

1 Claim, 6 Drawing Sheets



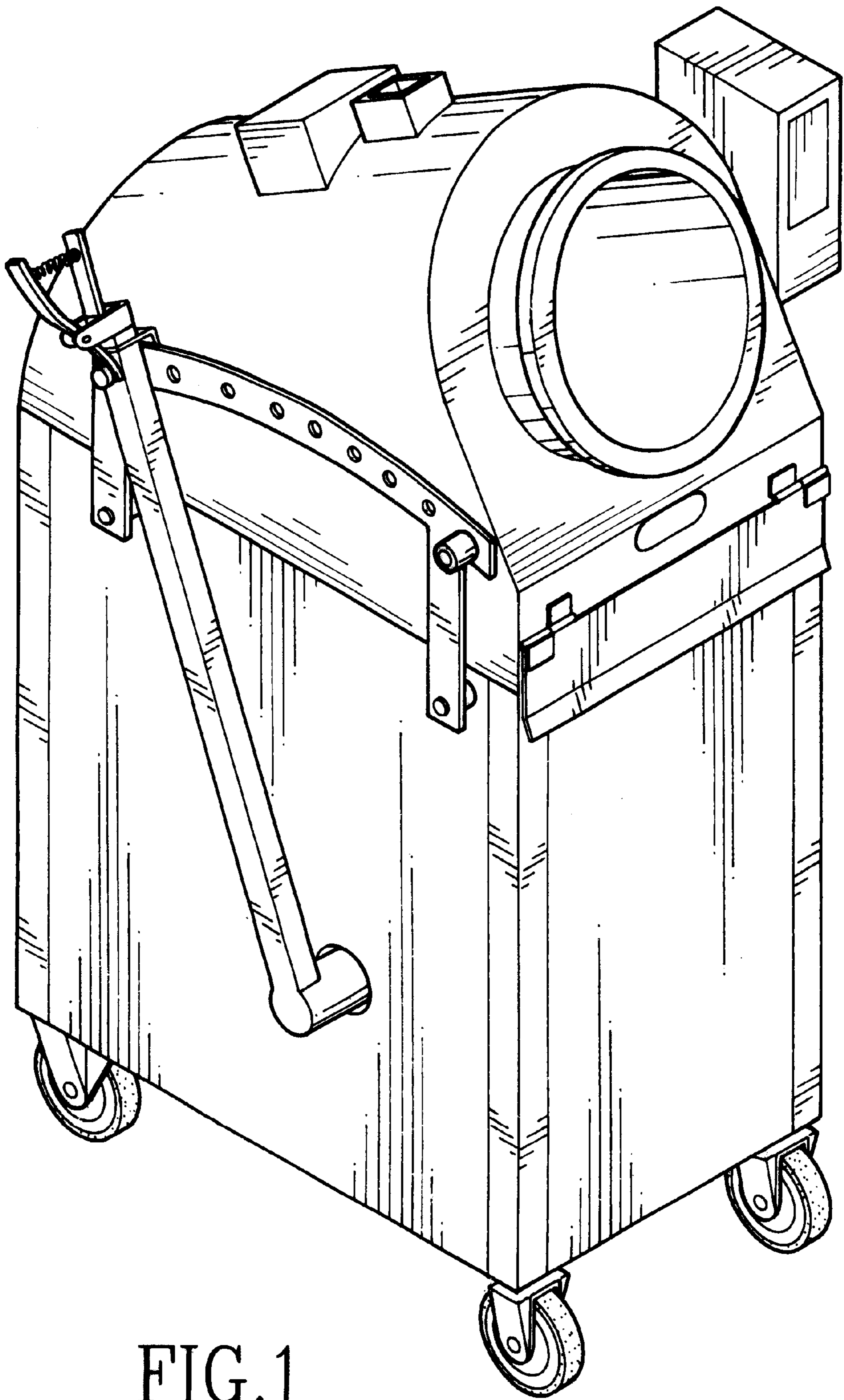


FIG. 1

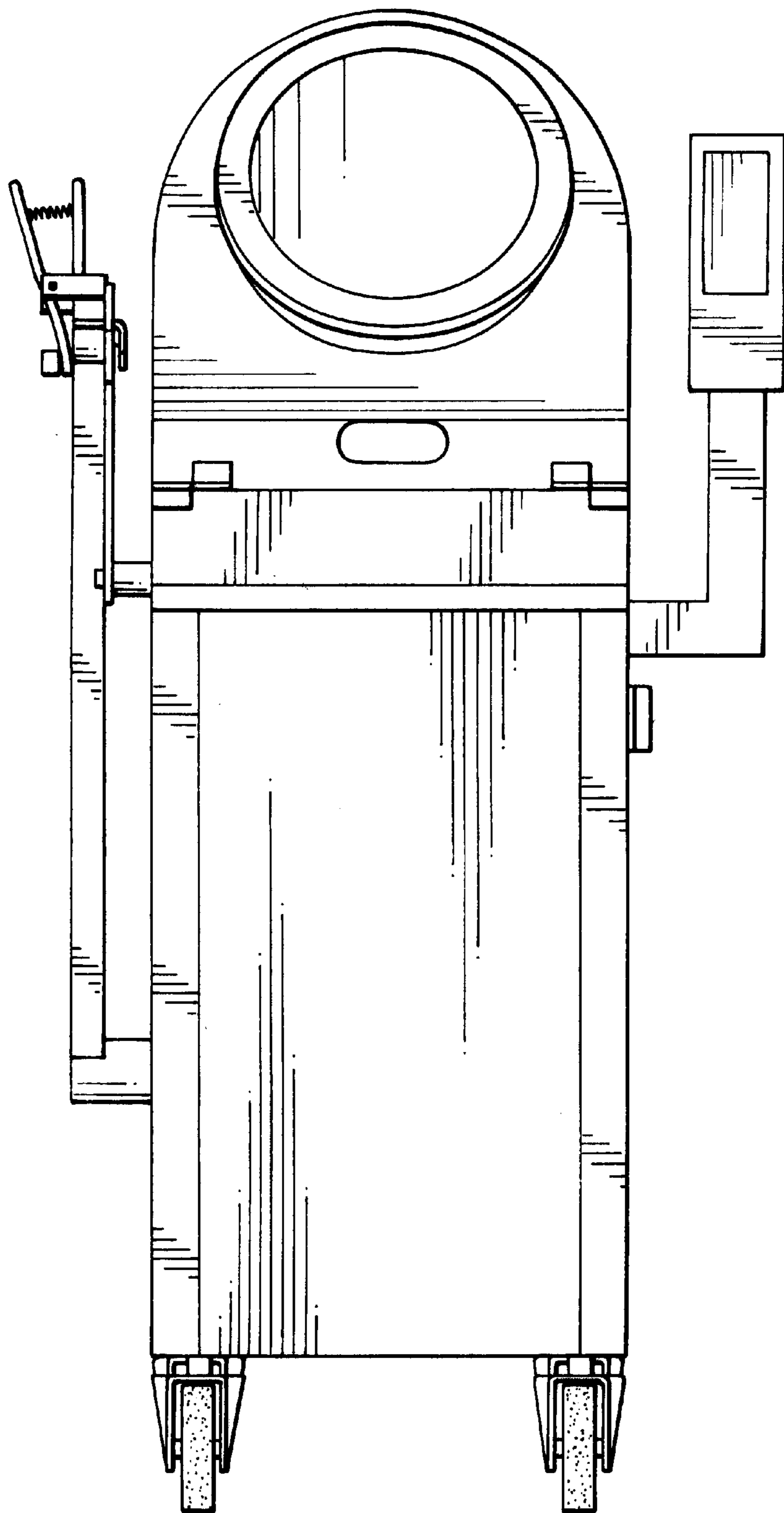


FIG.2

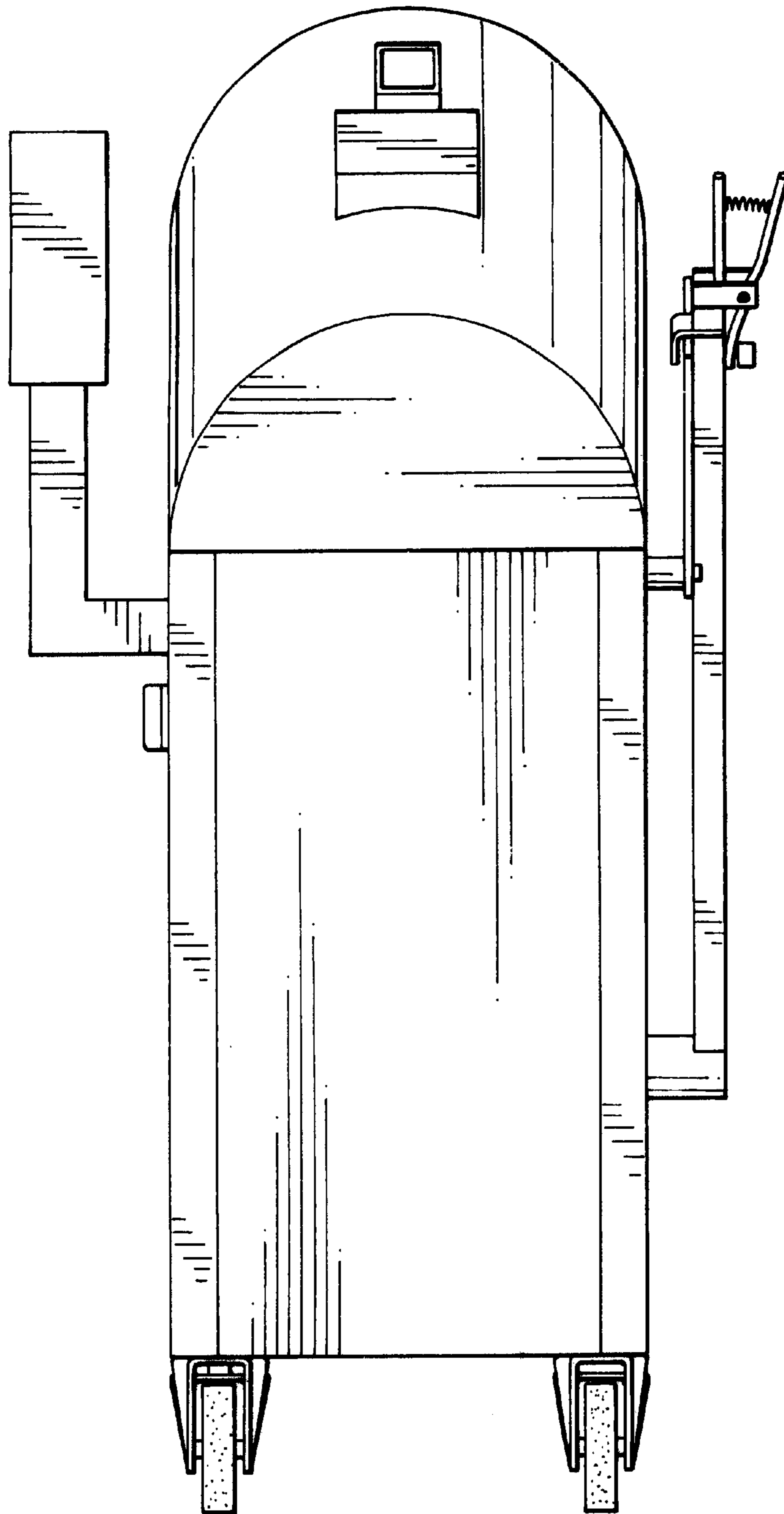


FIG. 3

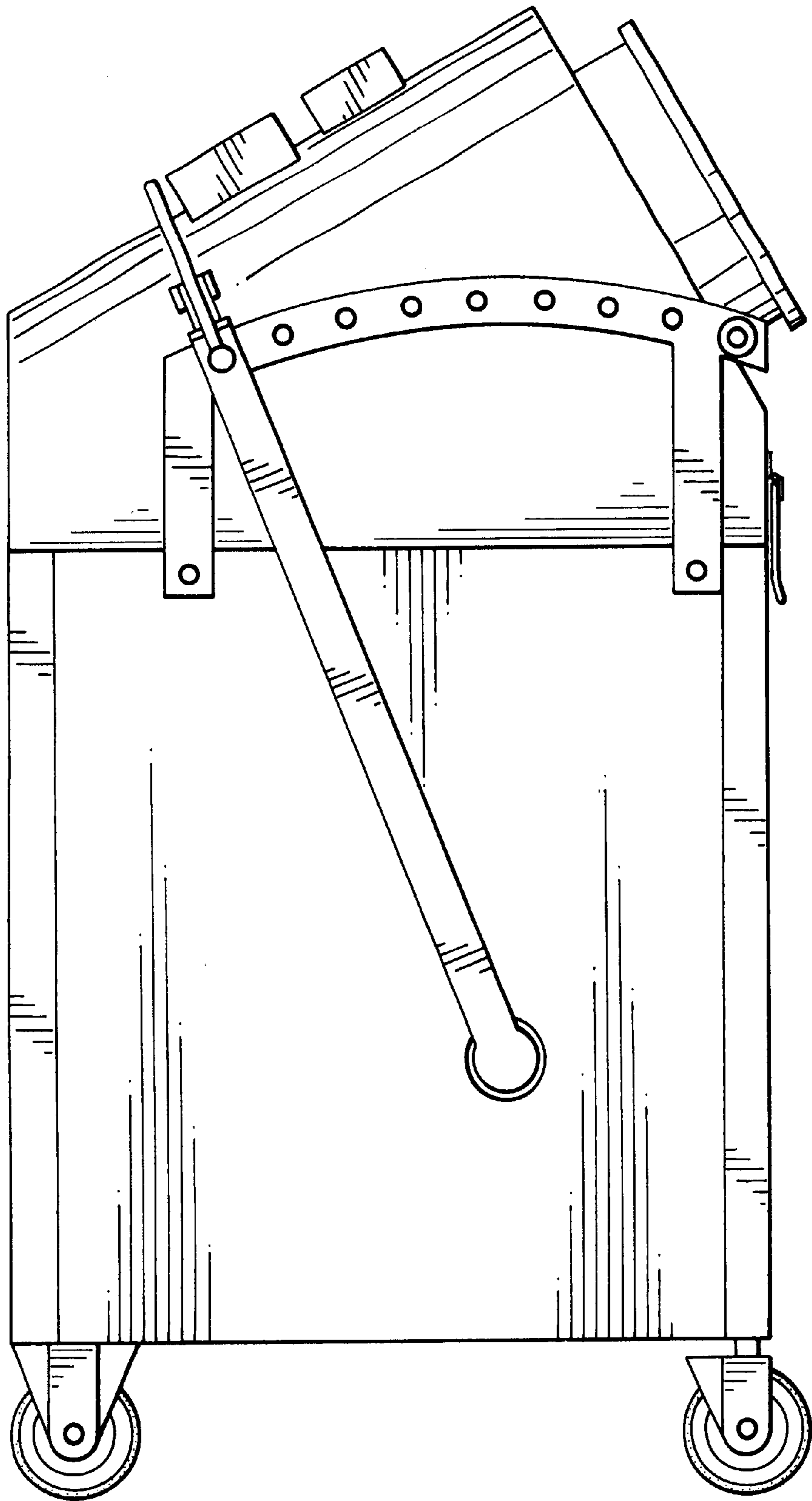


FIG. 4

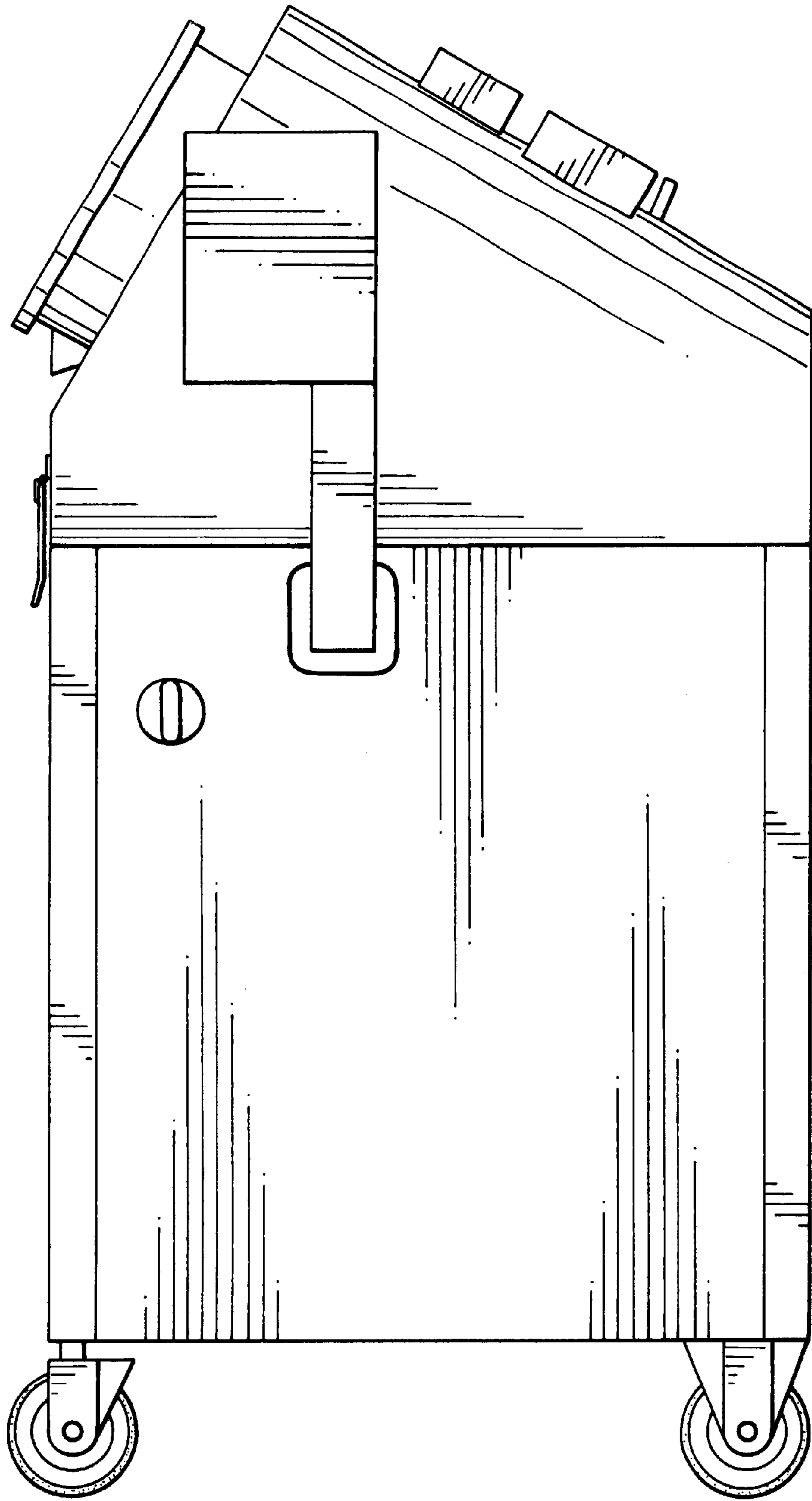


FIG. 5

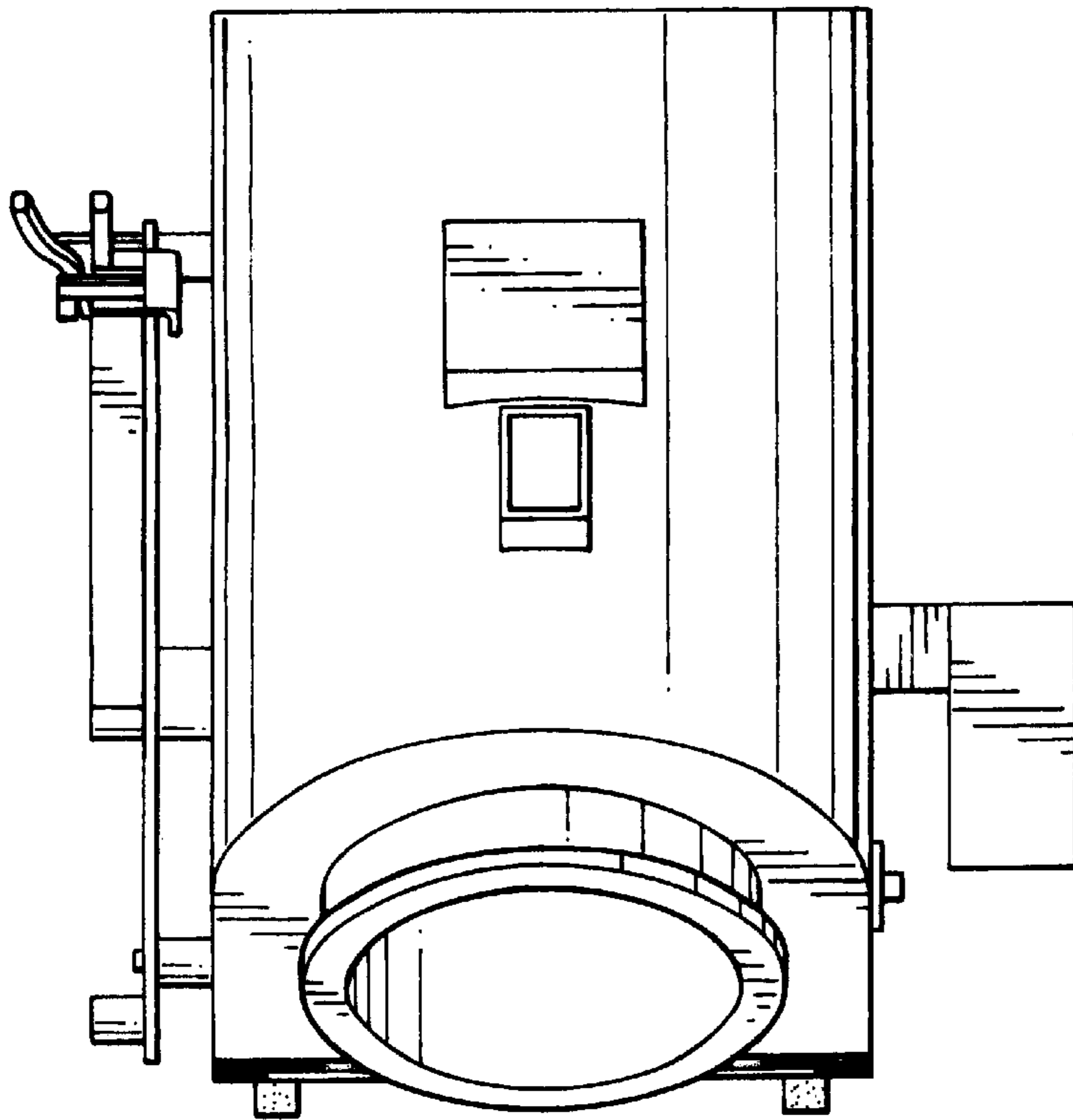


FIG. 6

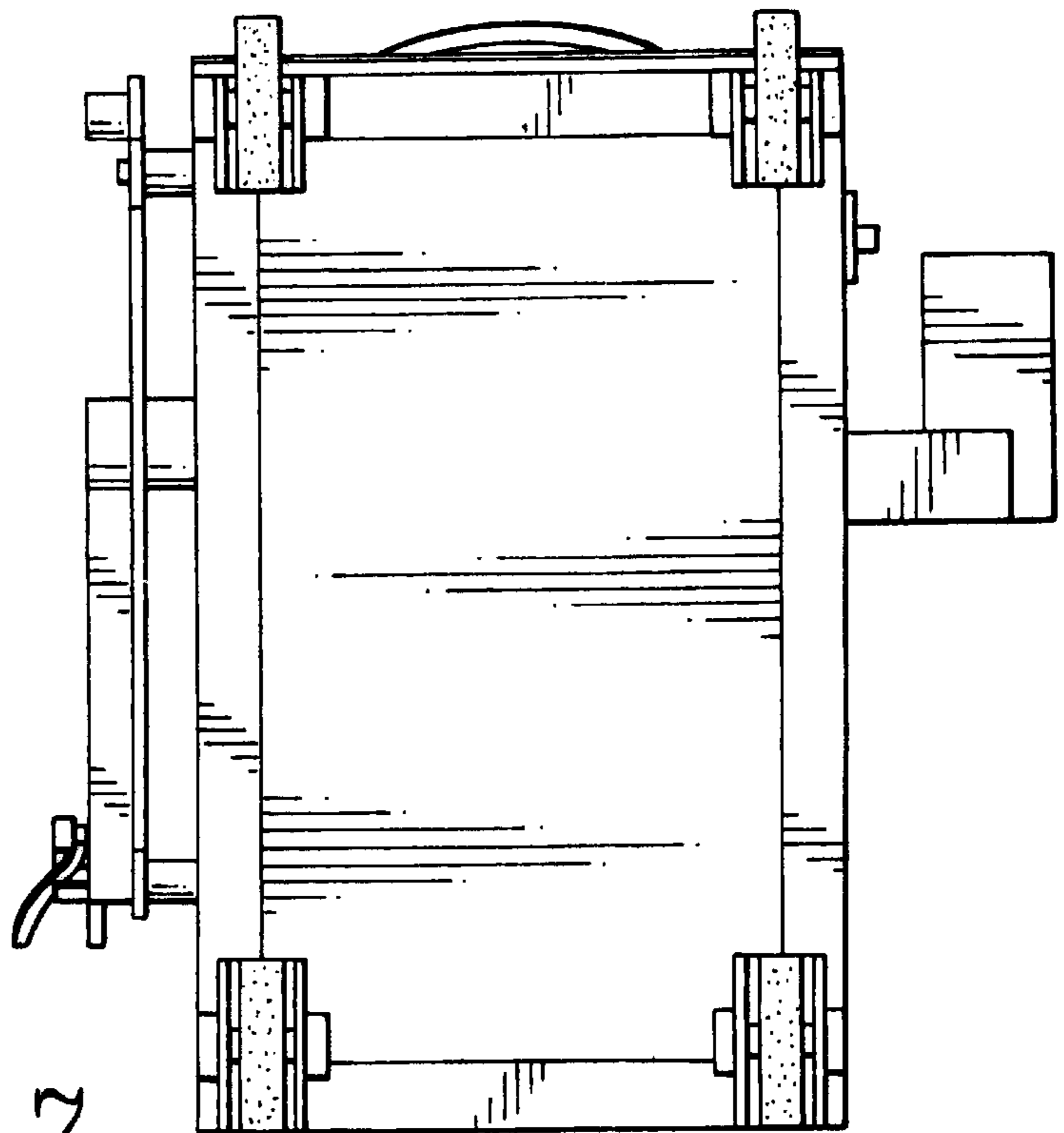


FIG. 7